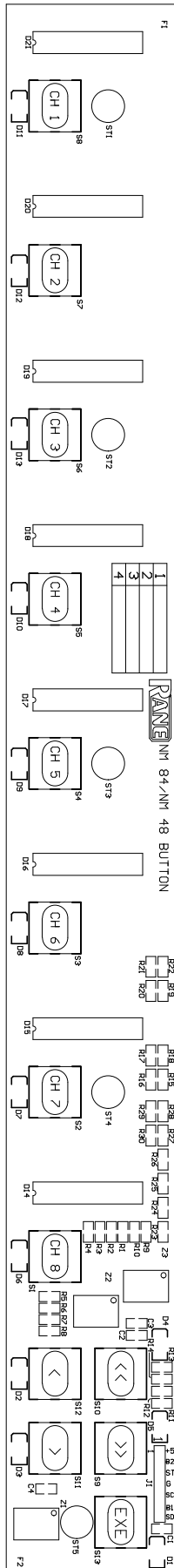
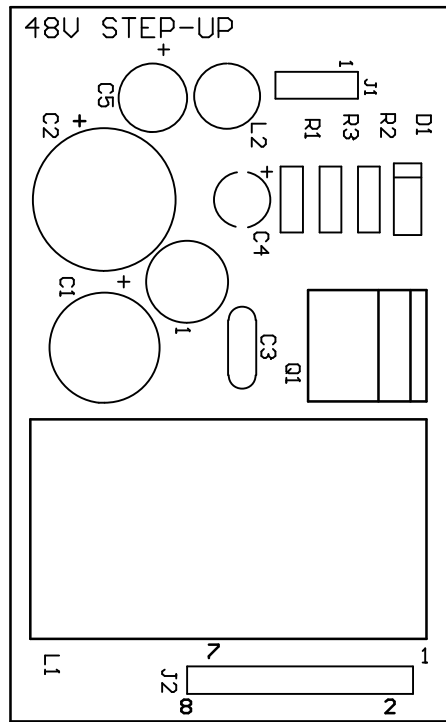
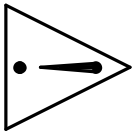


Rane Corp. (425)355-6000  
 102610 DES: CONVERTER, NM 84  
 ACTION: NEW PRODUCT RWJ 12JAN00



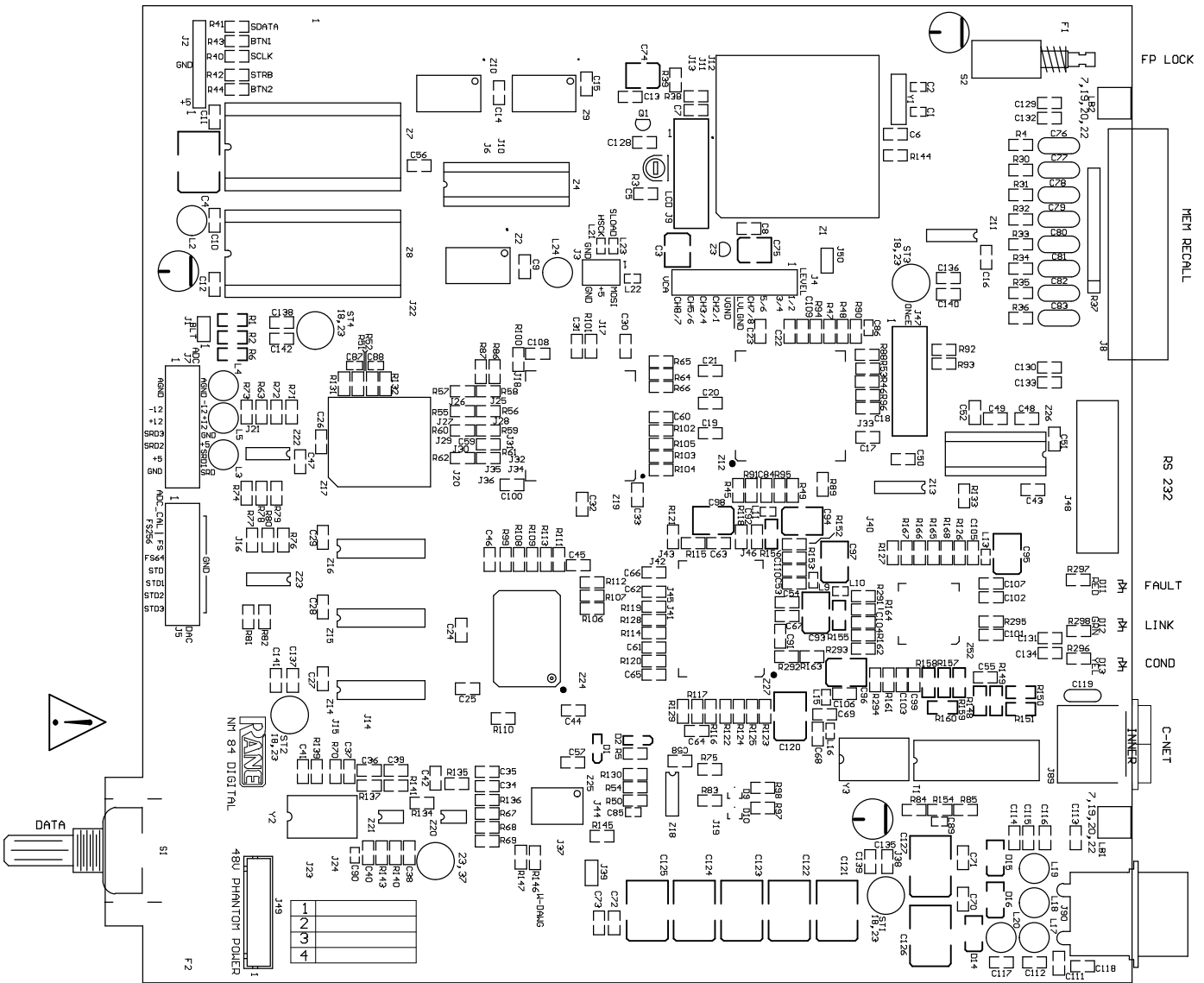
Rane Corp. (425)355-6000  
 105242 DES: BUTTON NM 84  
 ACTION: MANY PARTS MOVED, WAS 102625 SKH 3JUL01



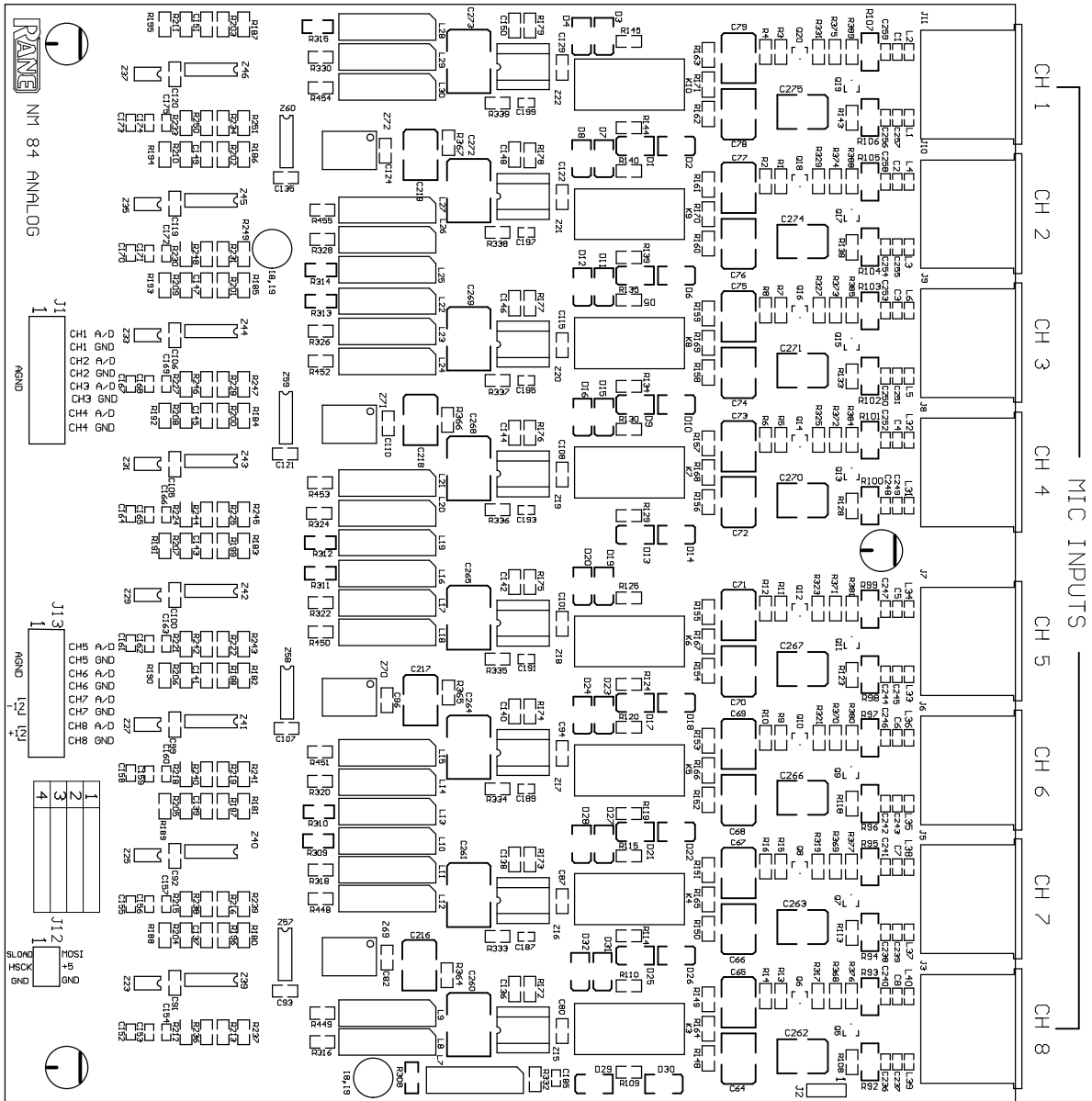
Rane Corp. (425)355-6000

103009 DES: 48V STEP-UP NM 84 SHEET 1 OF 2

ACTION: NEW PRODUCT RWJ 17JAN00

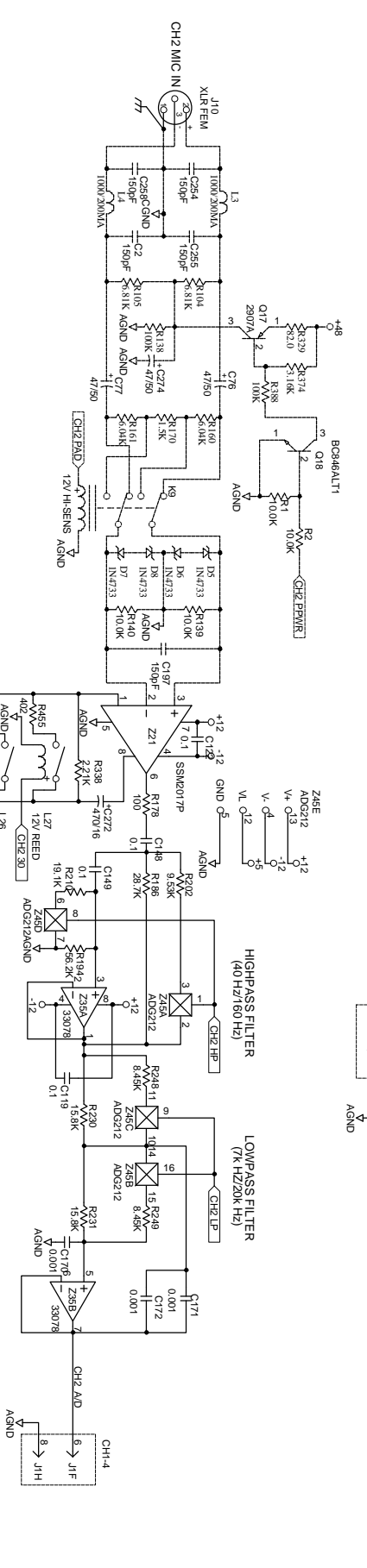
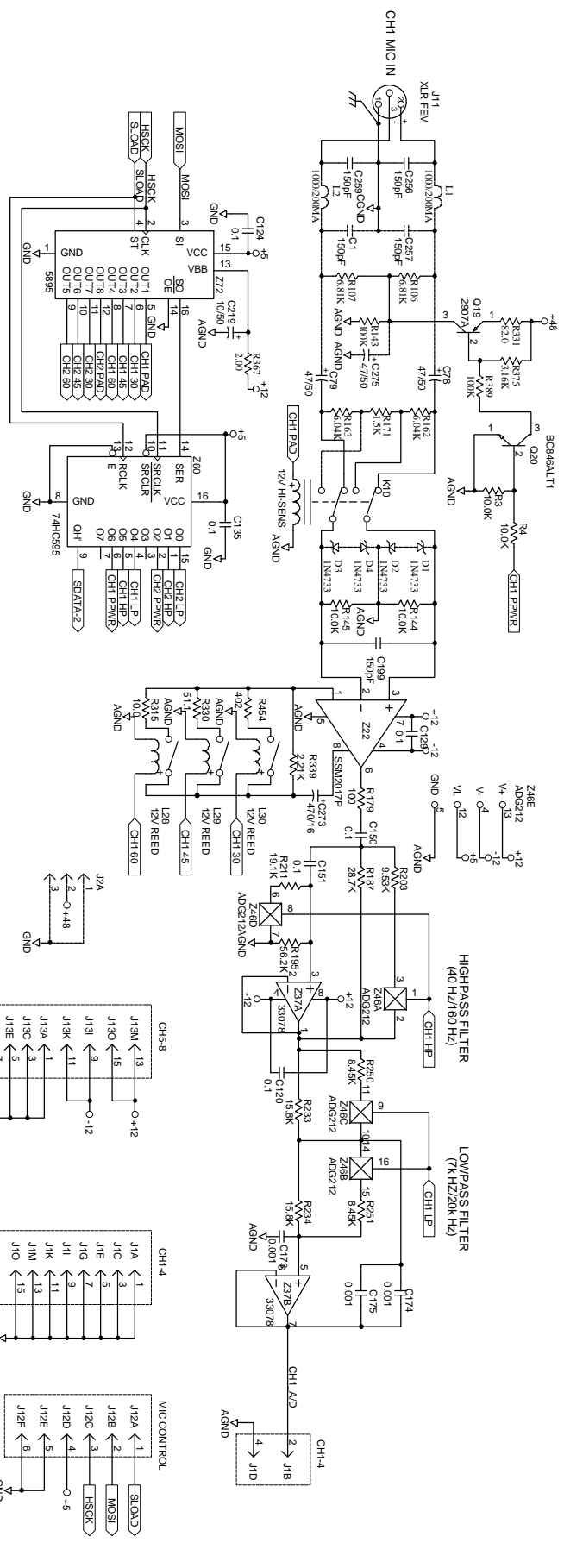


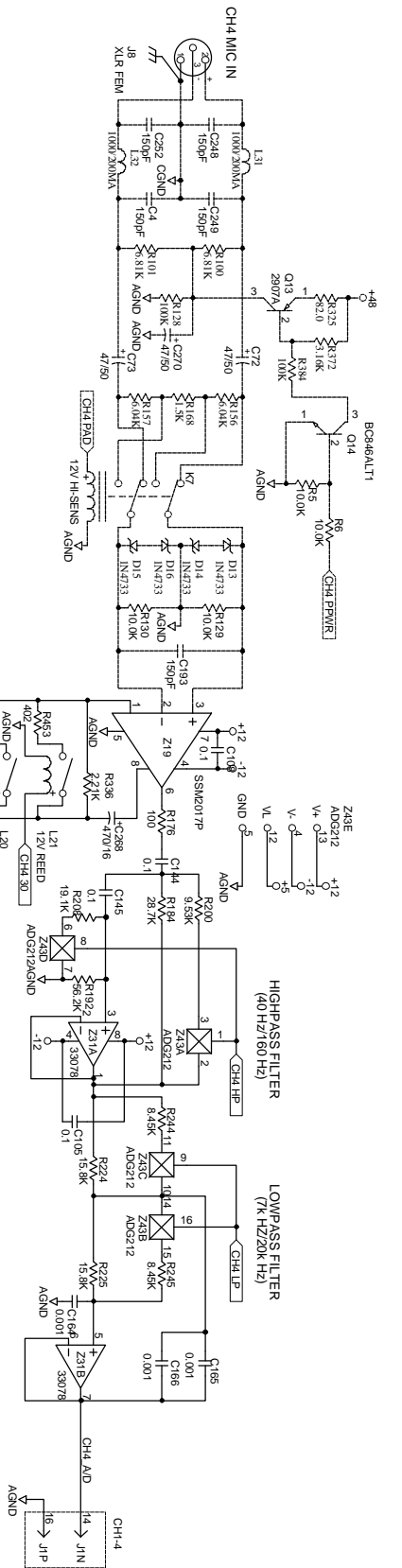
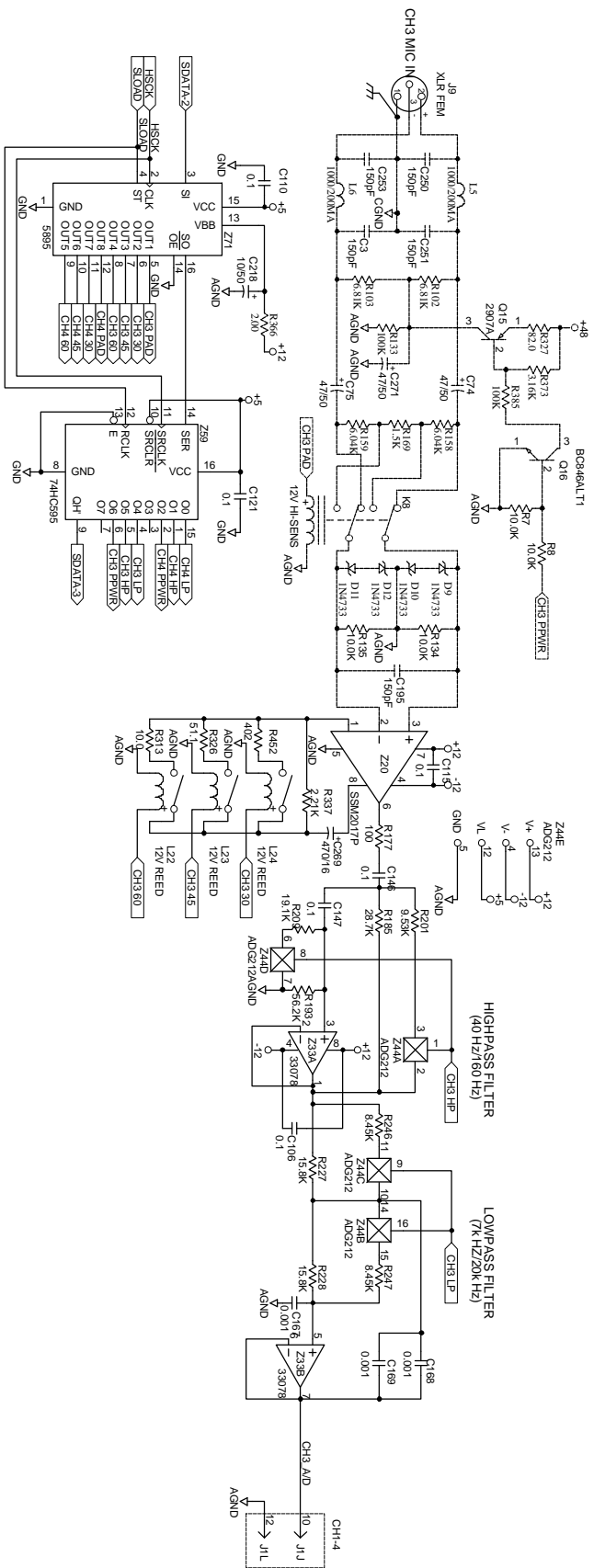
Rane Corp. (425)355-6000  
 102574 DES: DIGITAL, NM 84 SHEET 1 OF 2  
 ACTION: NEW PRODUCT RWJ 14JAN00

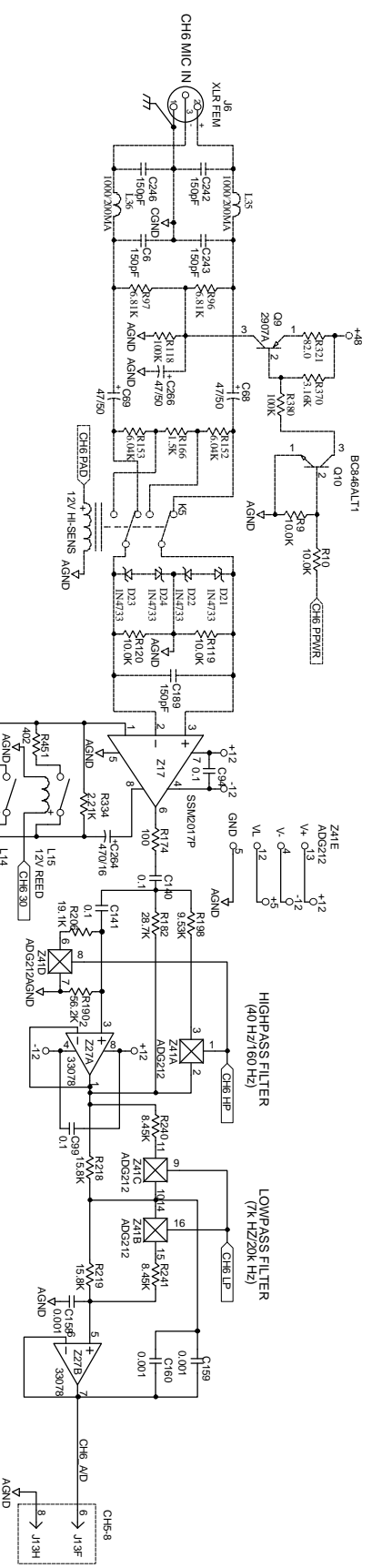
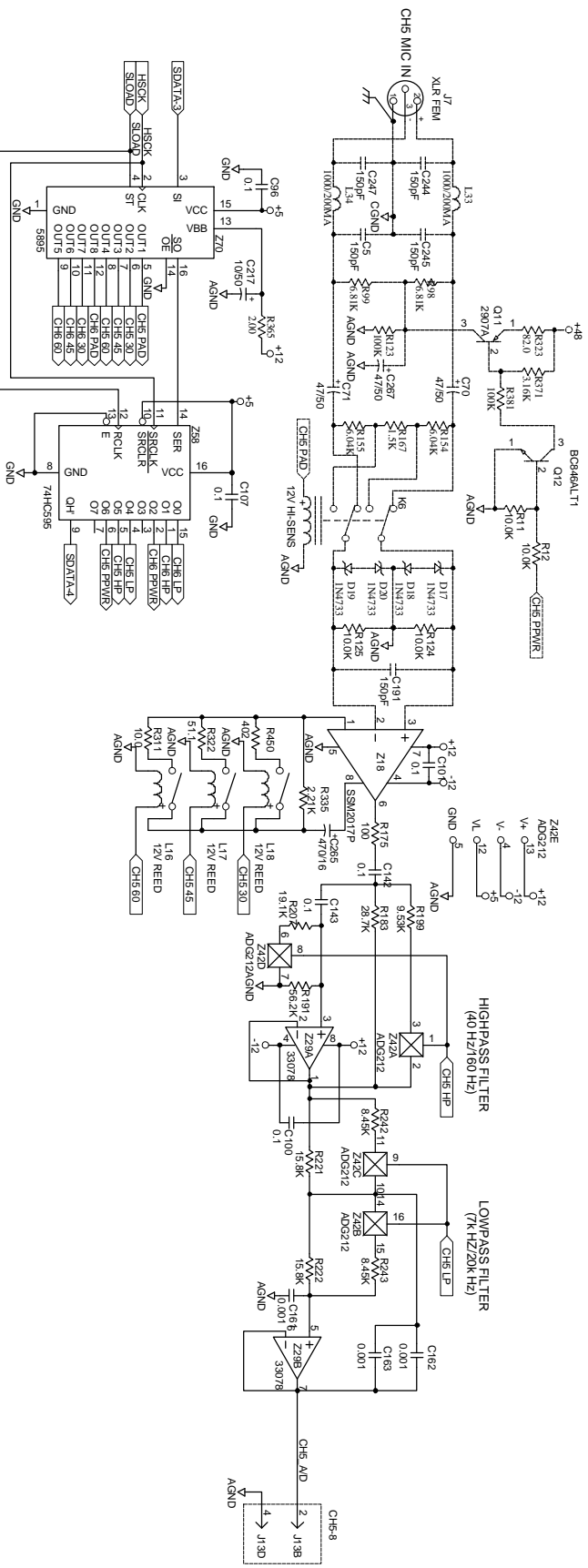


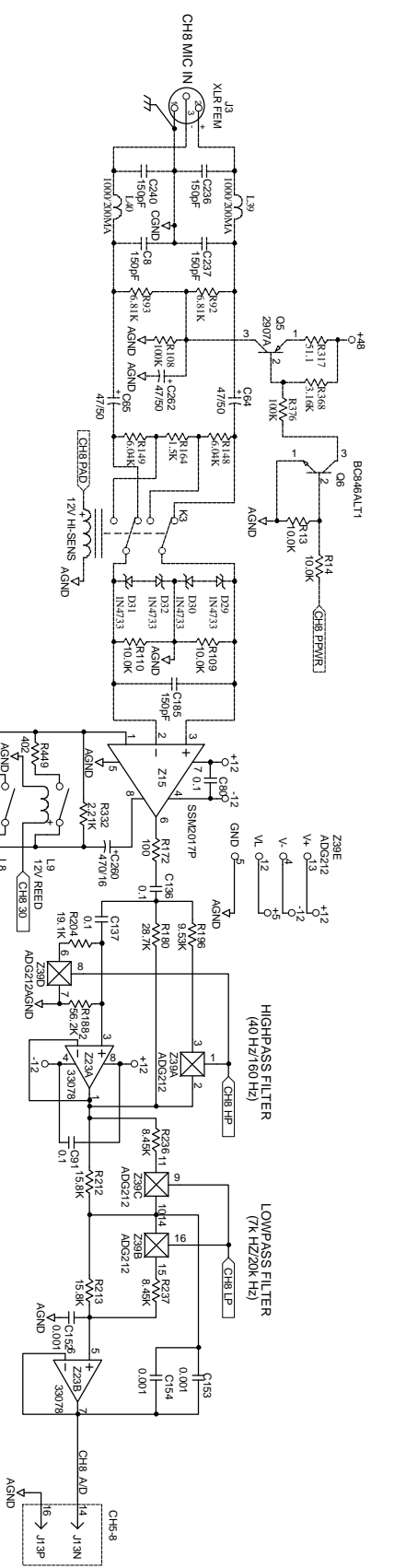
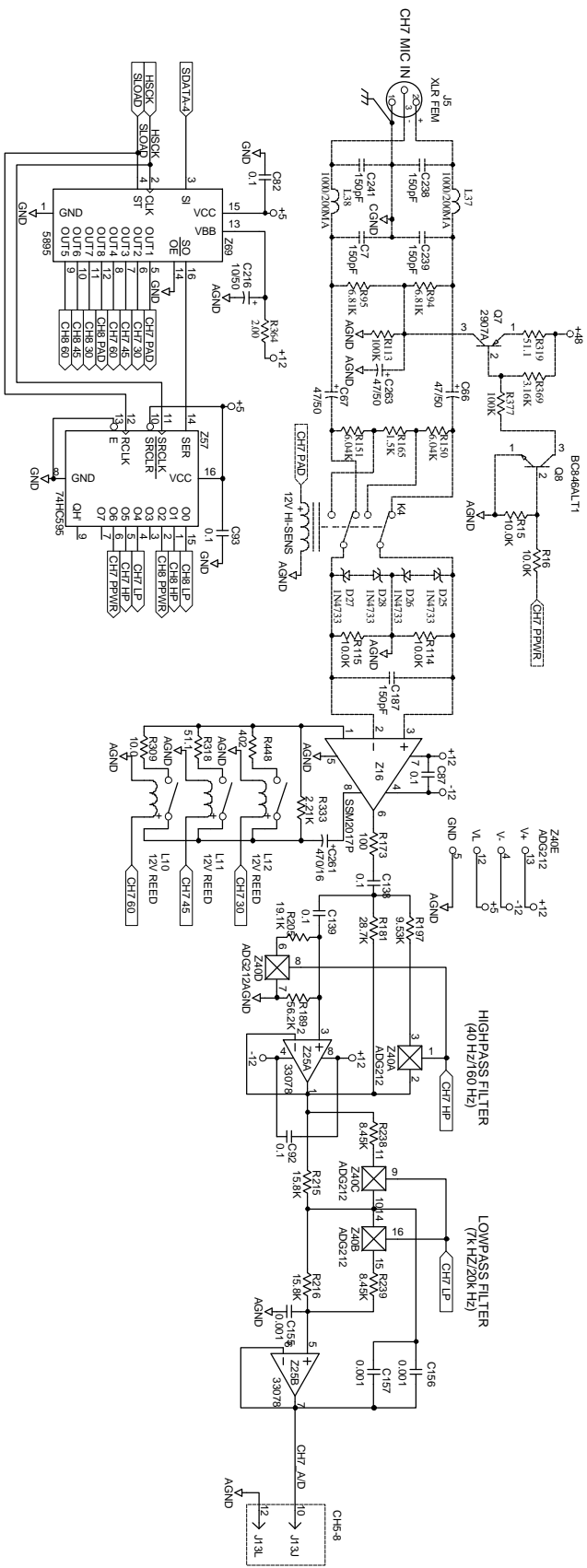
Rane Corp. (425)355-6000  
 102487 DES ANALOG NM 84 SHEET 1 OF 2  
 ACTION: NEW PRODUCT RWJ 8JUL99

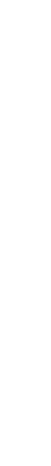
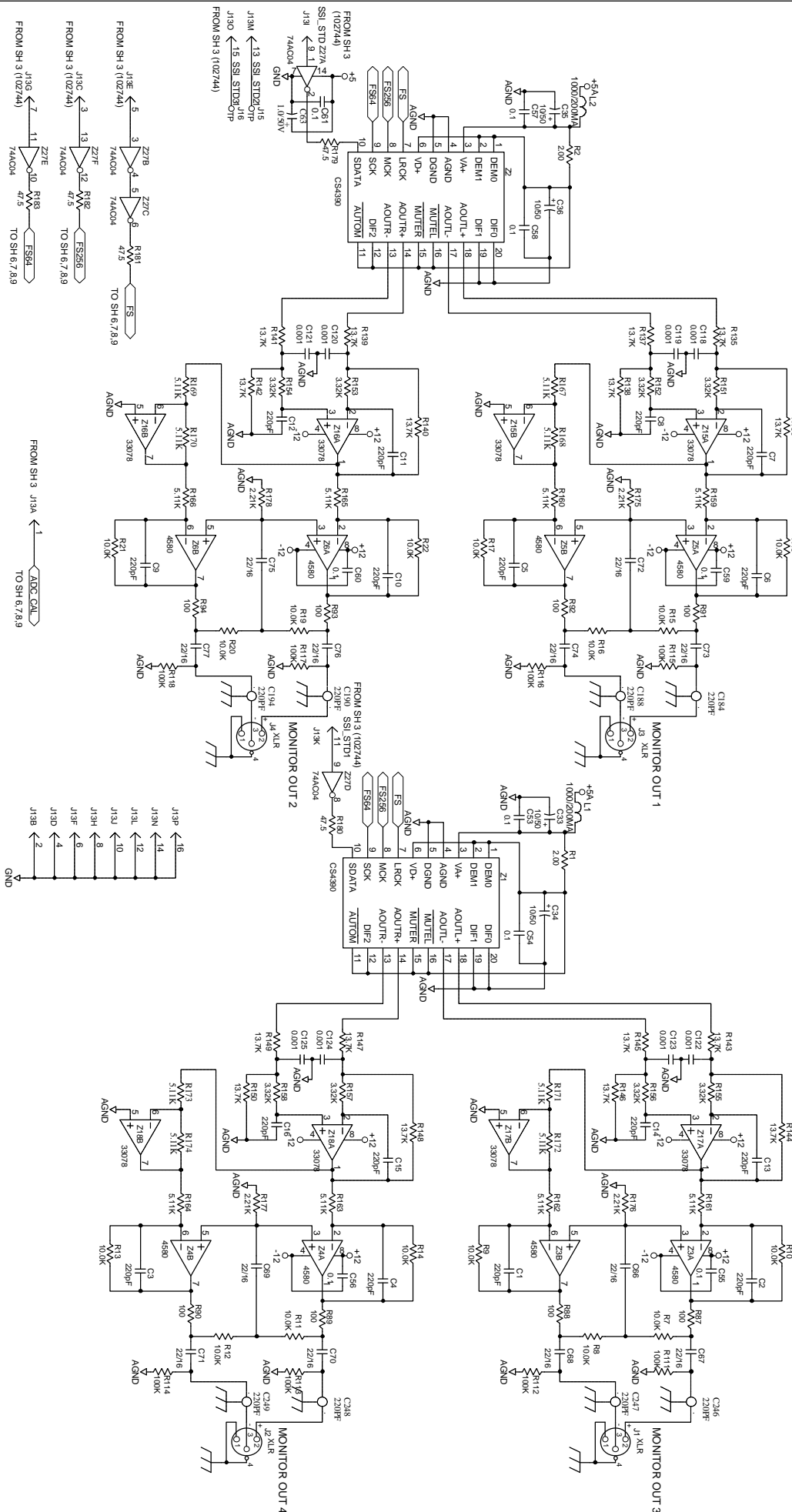


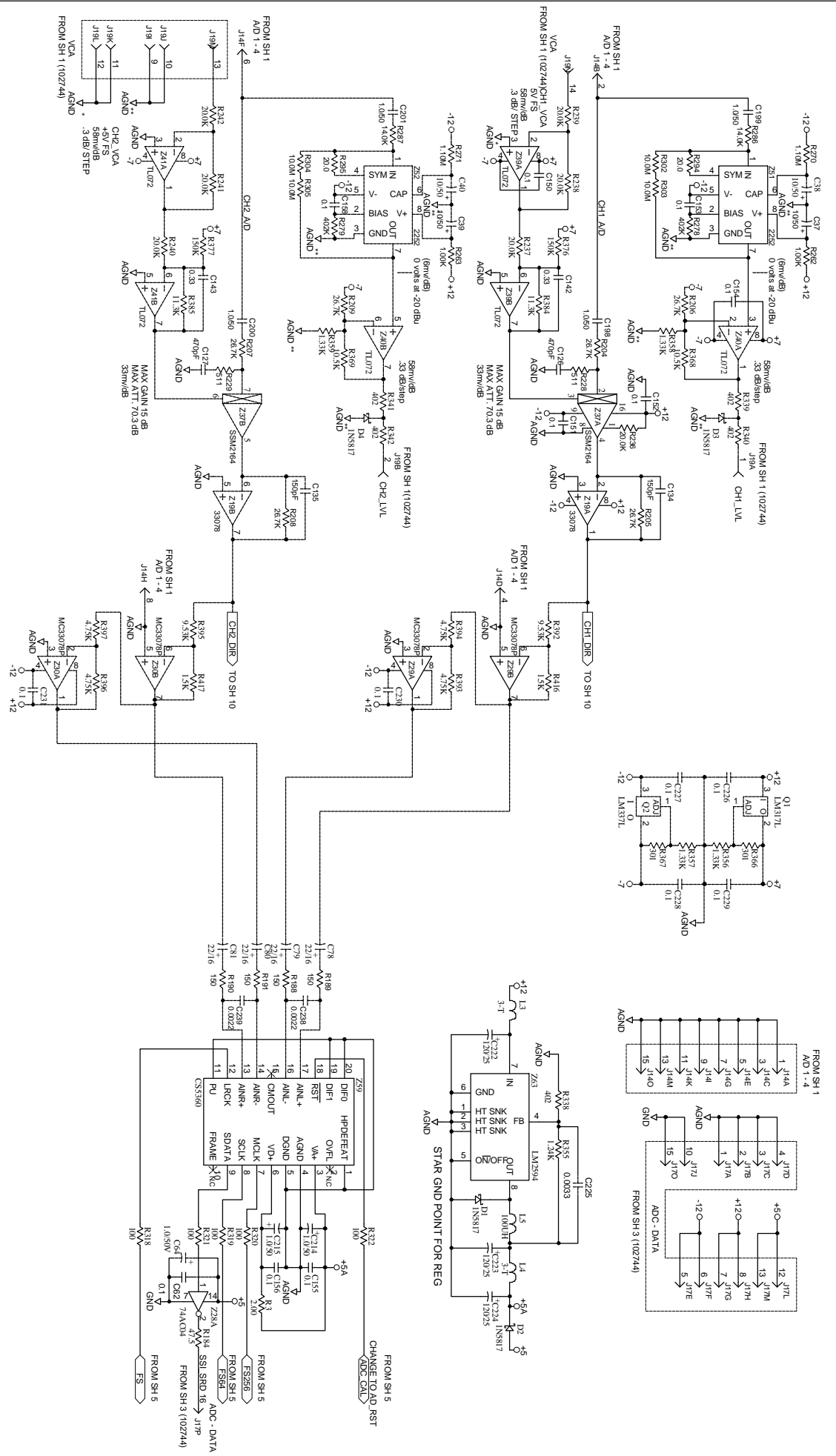


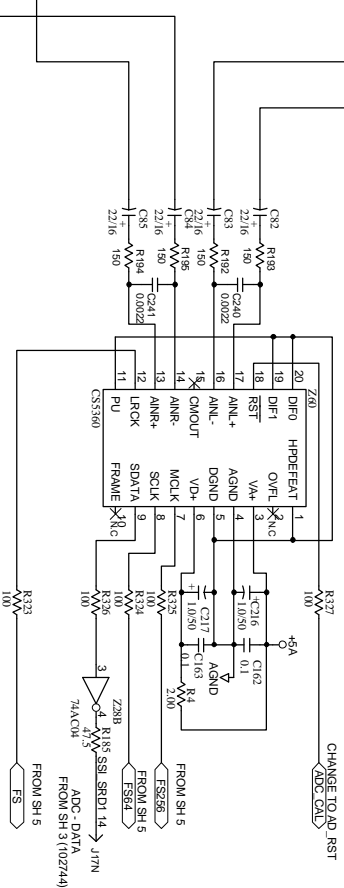
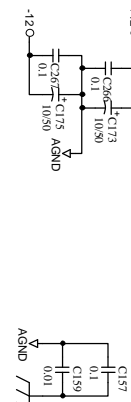
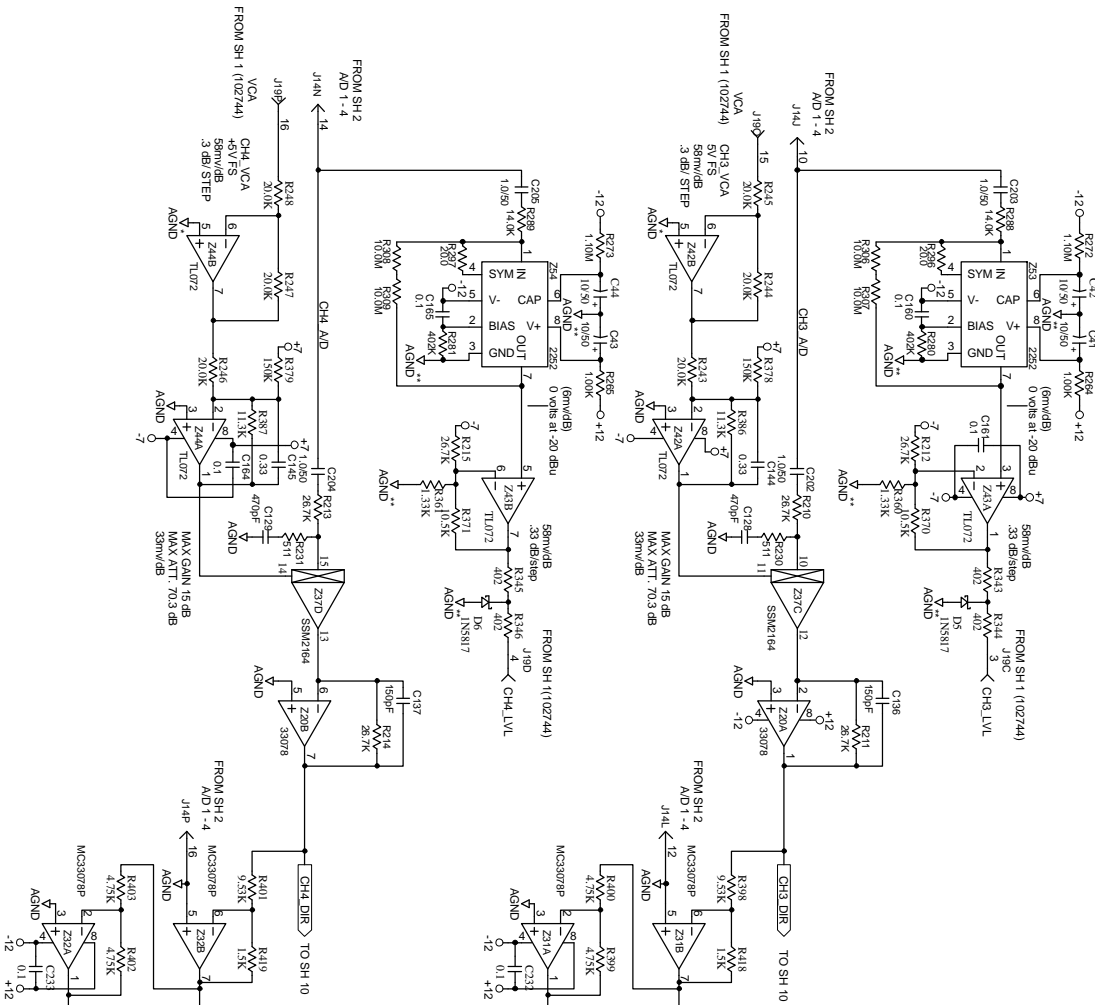












AGND

GRW:MBT

CHECKED BY:

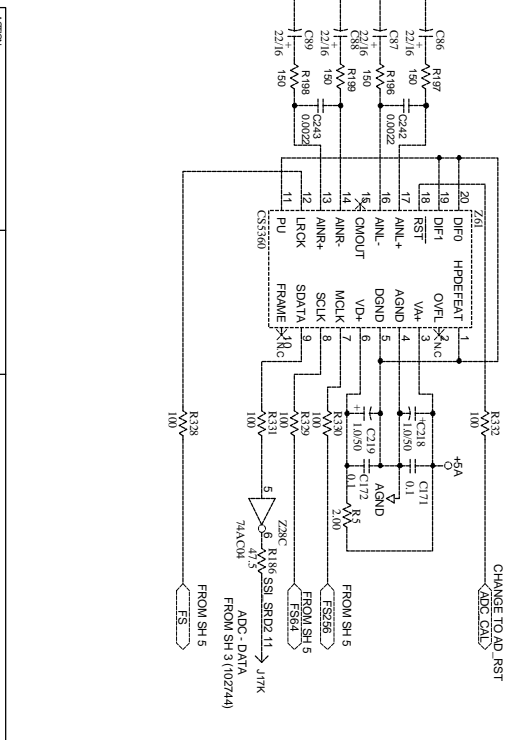
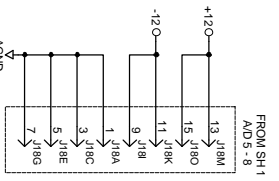
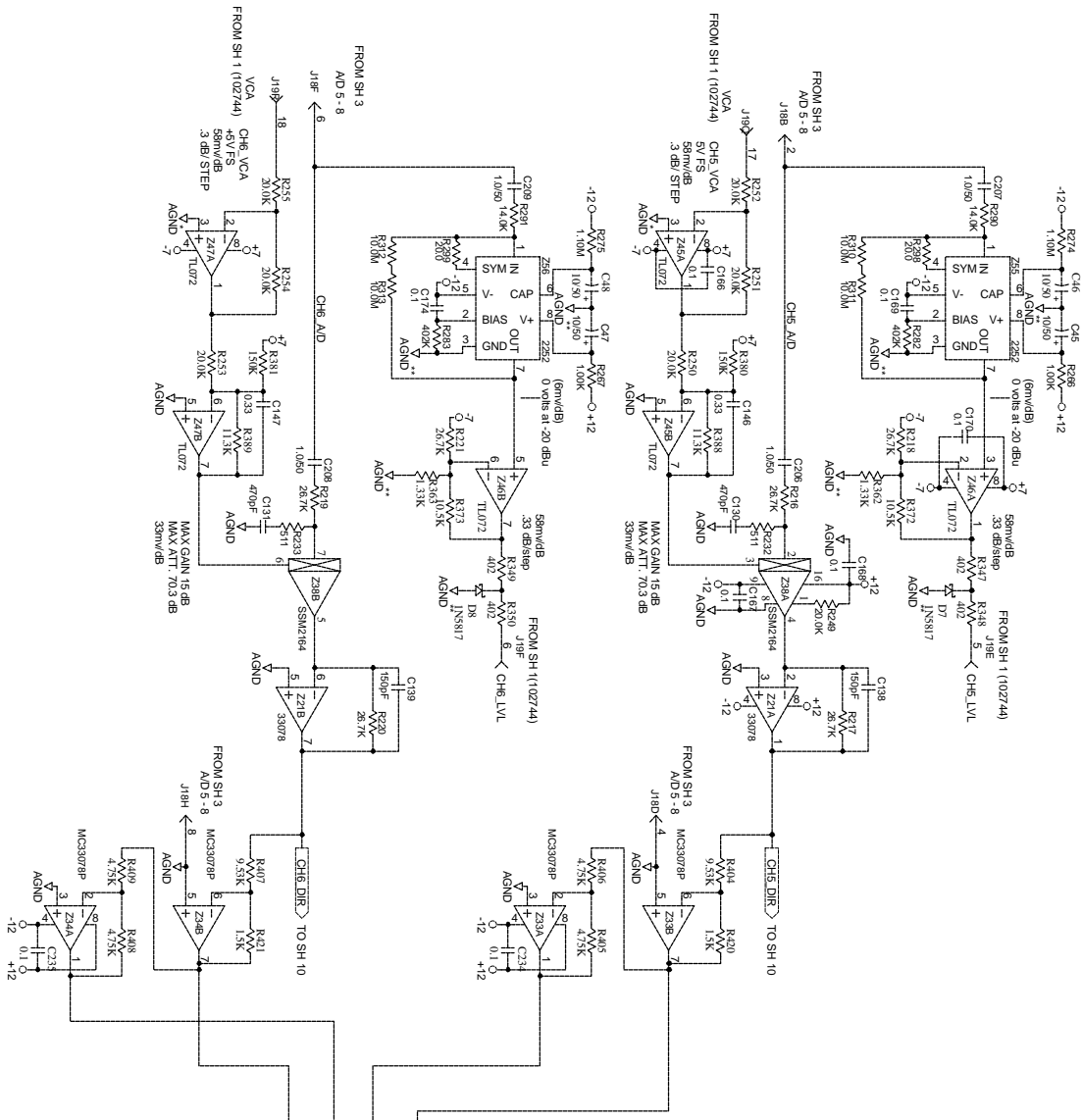
**RANCO**

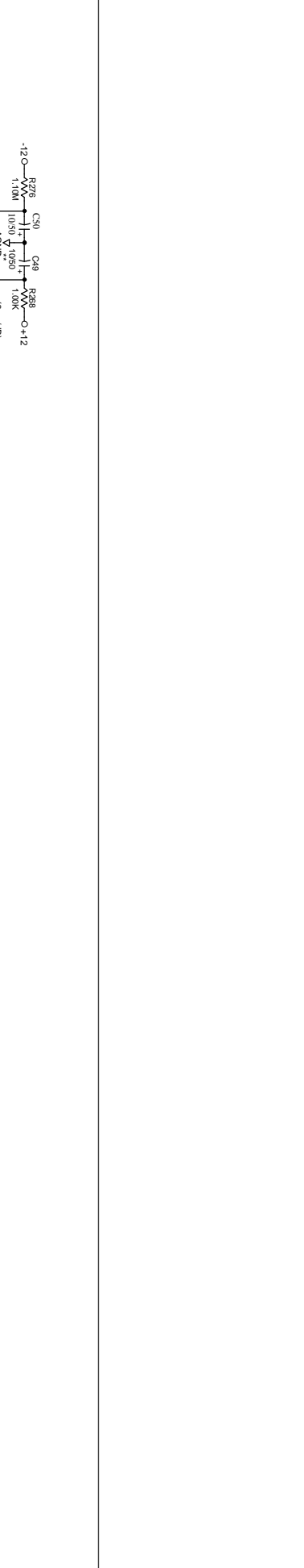
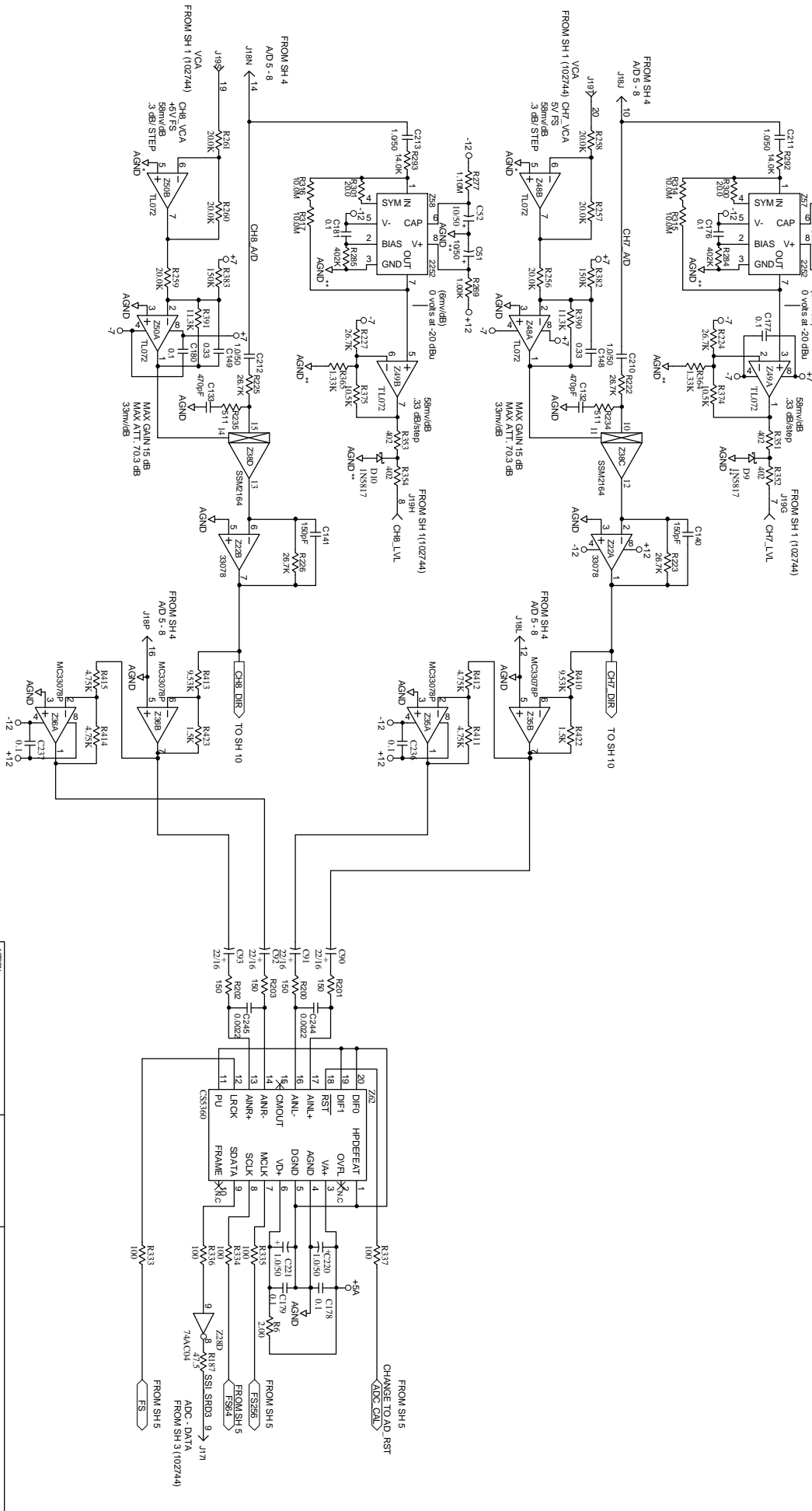
10802 47th Avenida W404  
 Manikpo VIA 98275-5088

SECT: 7

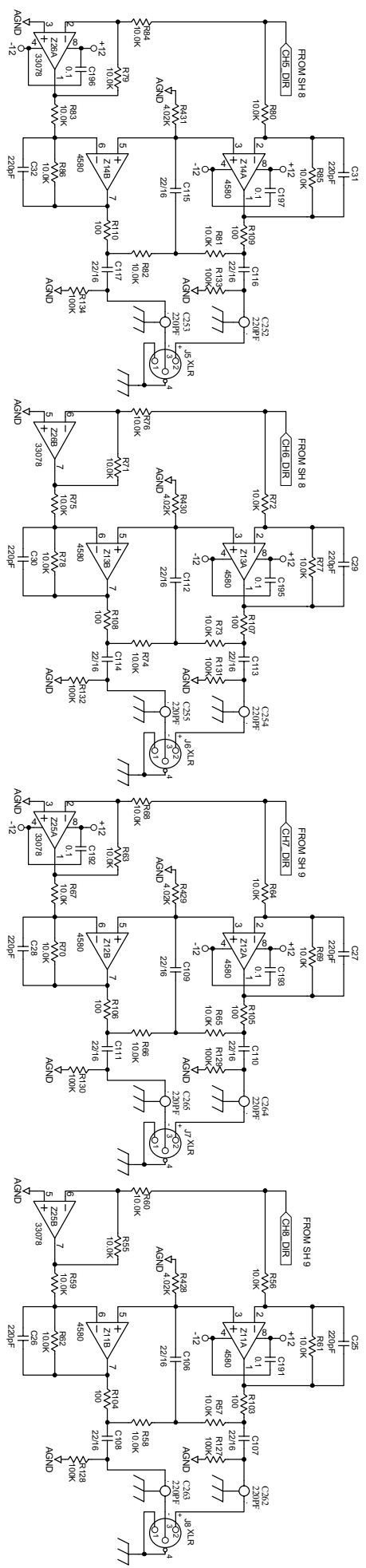
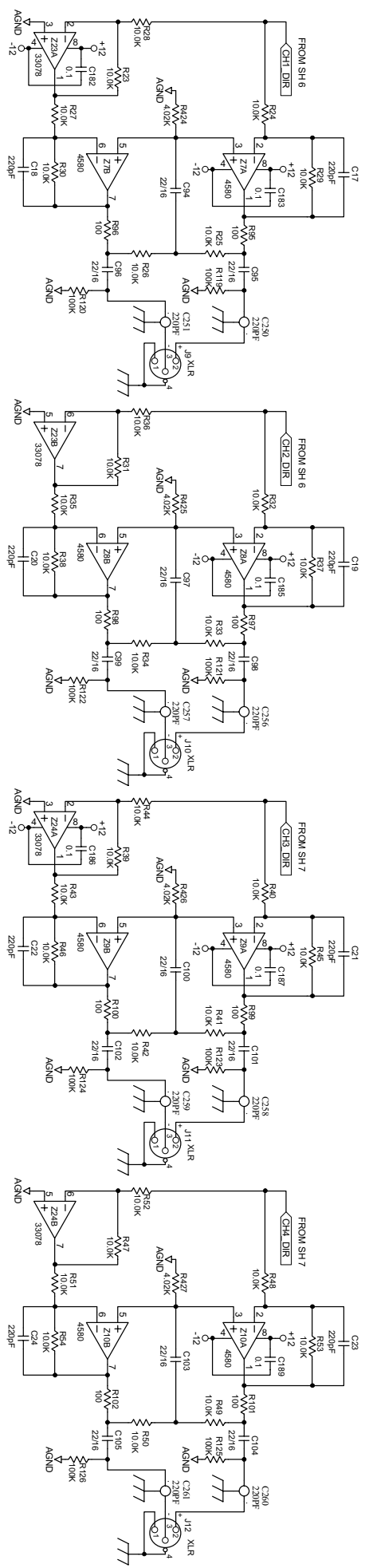
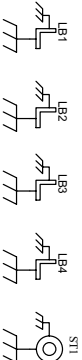
CH 3 & CH 4 A/D NM 84

102267

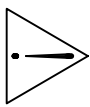
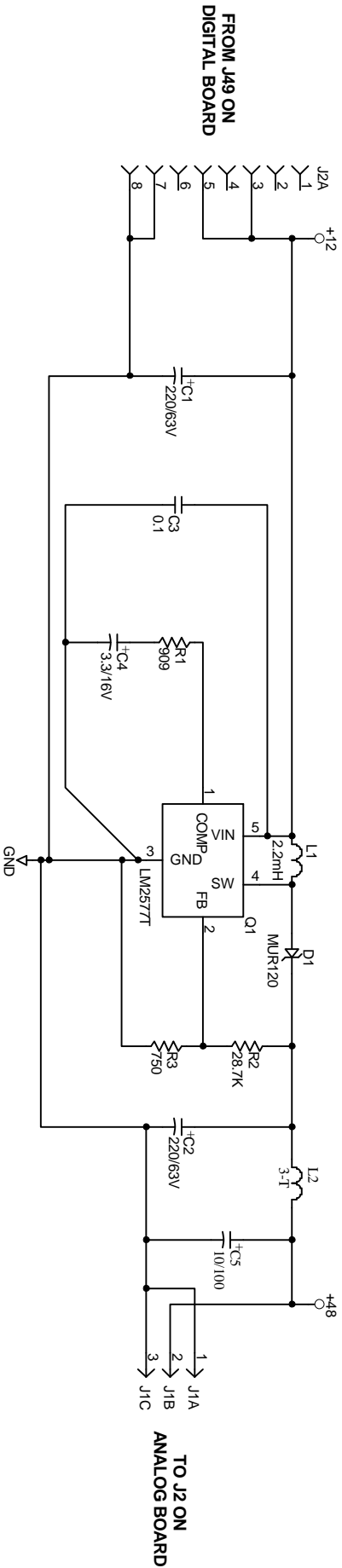





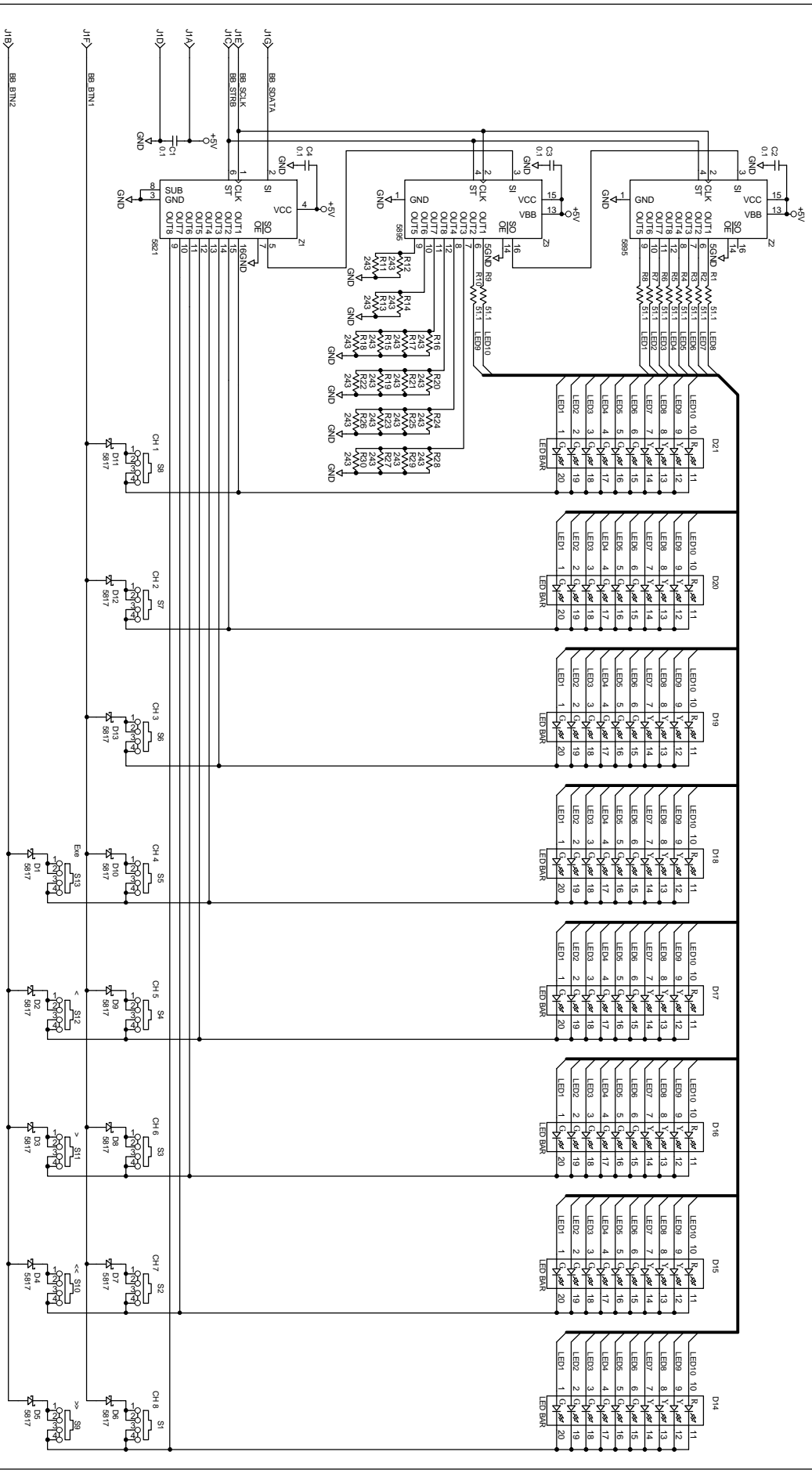
ACTION		<b>RANE</b>	CH 7 & CH 8 A/D NM 84
DRAWN BY:	CHECKED BY:		
		10002 47th Avenida W404 Miami, FL 33150	SHEET 9 of 10
			102267

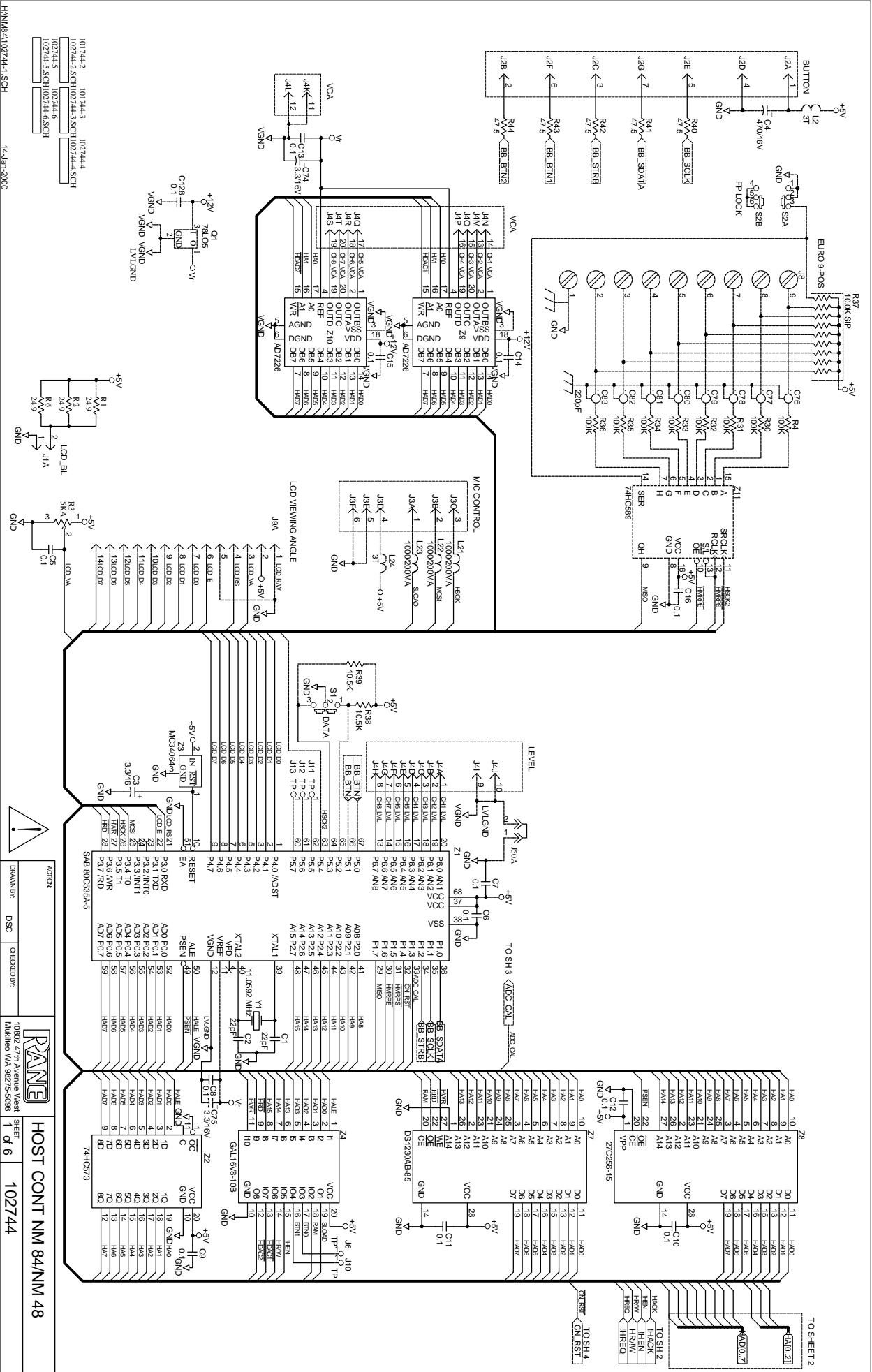


	ACTION
DRAIN RJ	CHECKED PSC
	10802 47th Avenue West Mukilteo WA 98275-5098
SHEET: 100F 10	<b>NM 84 DIR OUT NM 84</b> 102267

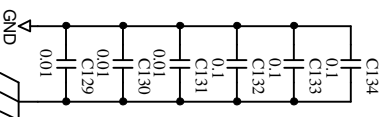
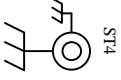
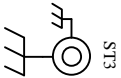
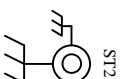
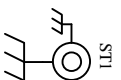
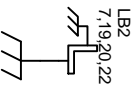
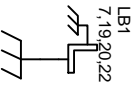
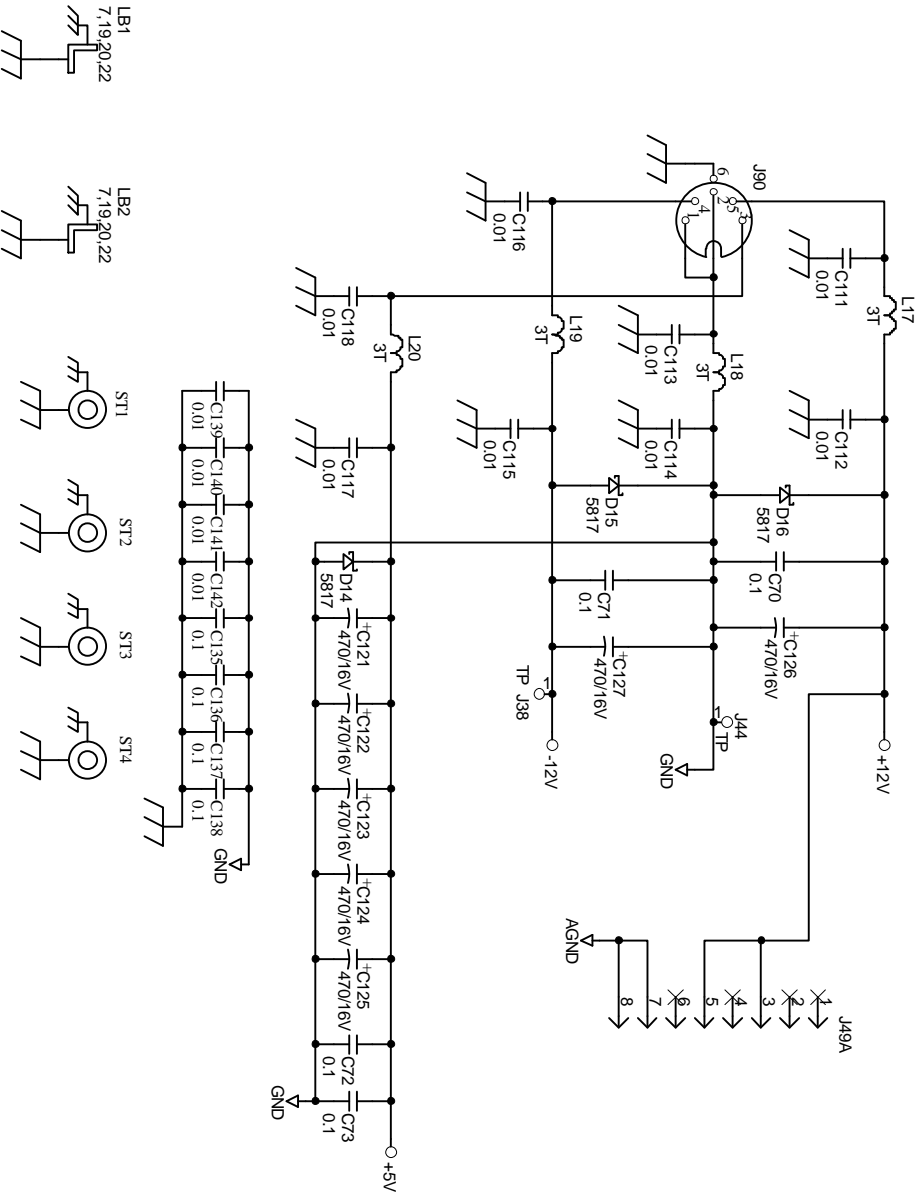


ACTION:		DRAWN BY: RWJ		CHECKED BY: RJ				SHEET: 1 of 1		103004	
						10802 47th Avenue West Mukilteo WA 98275-5098		48V STEP-UP NM 84			

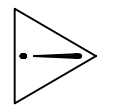




ACTION	
DRAWN BY	DSC
CHECKED BY	



H:\NM\84102744-6.SCH  
14-Jan-2000



ACTION:	
DRAWN BY:	DSC
CHECKED BY:	

**RAINE**  
10802 47th Avenue West  
Mukilteo WA 98275-5098

**POWER SUPPLY NM 84/NM 48**  
SHEET: 6 of 6  
102744