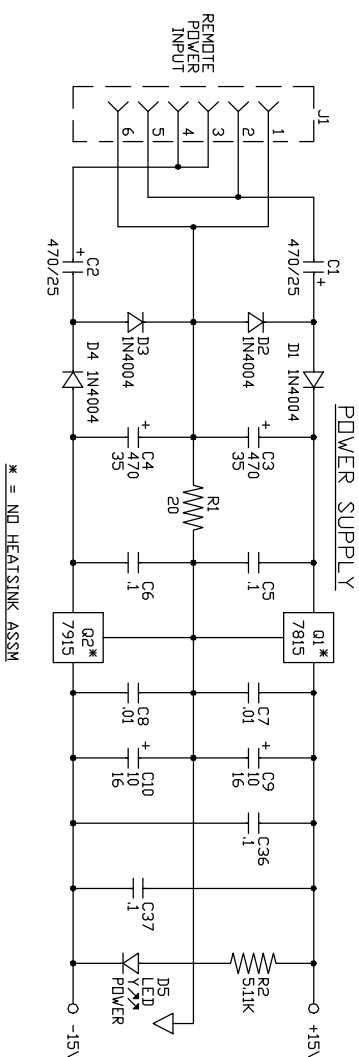
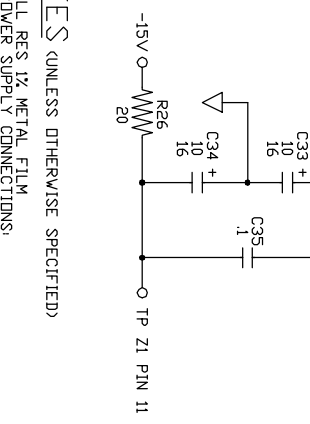
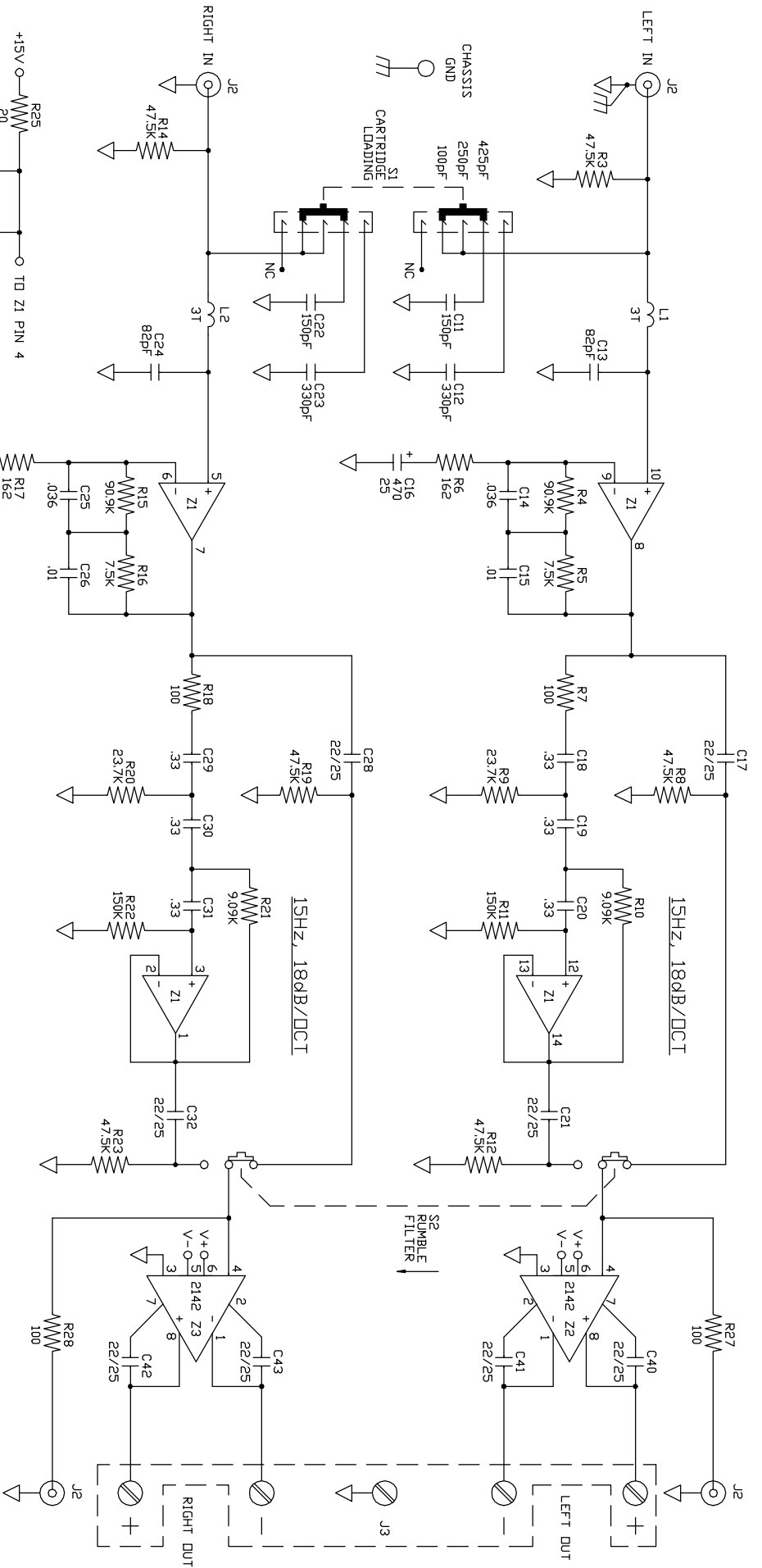


Rane Corp. (425)355-6000

100496 DES PS 1

ACTION: PART NOT CHANGED, NEW DOC #'S RWJ 21NOV97



NOTES (UNLESS OTHERWISE SPECIFIED)

1. ALL RES 1% METAL FILM
2. POWER SUPPLY CONNECTIONS:

SING	7	4
DUAL	8	4
QUAD	4	11

3. ALL SVs SHOWN IN THEIR 'OUT' OR 'OFF' POSITION
4. IC TYPES: Z1 = LT1125, Z2, Z3 = 2142