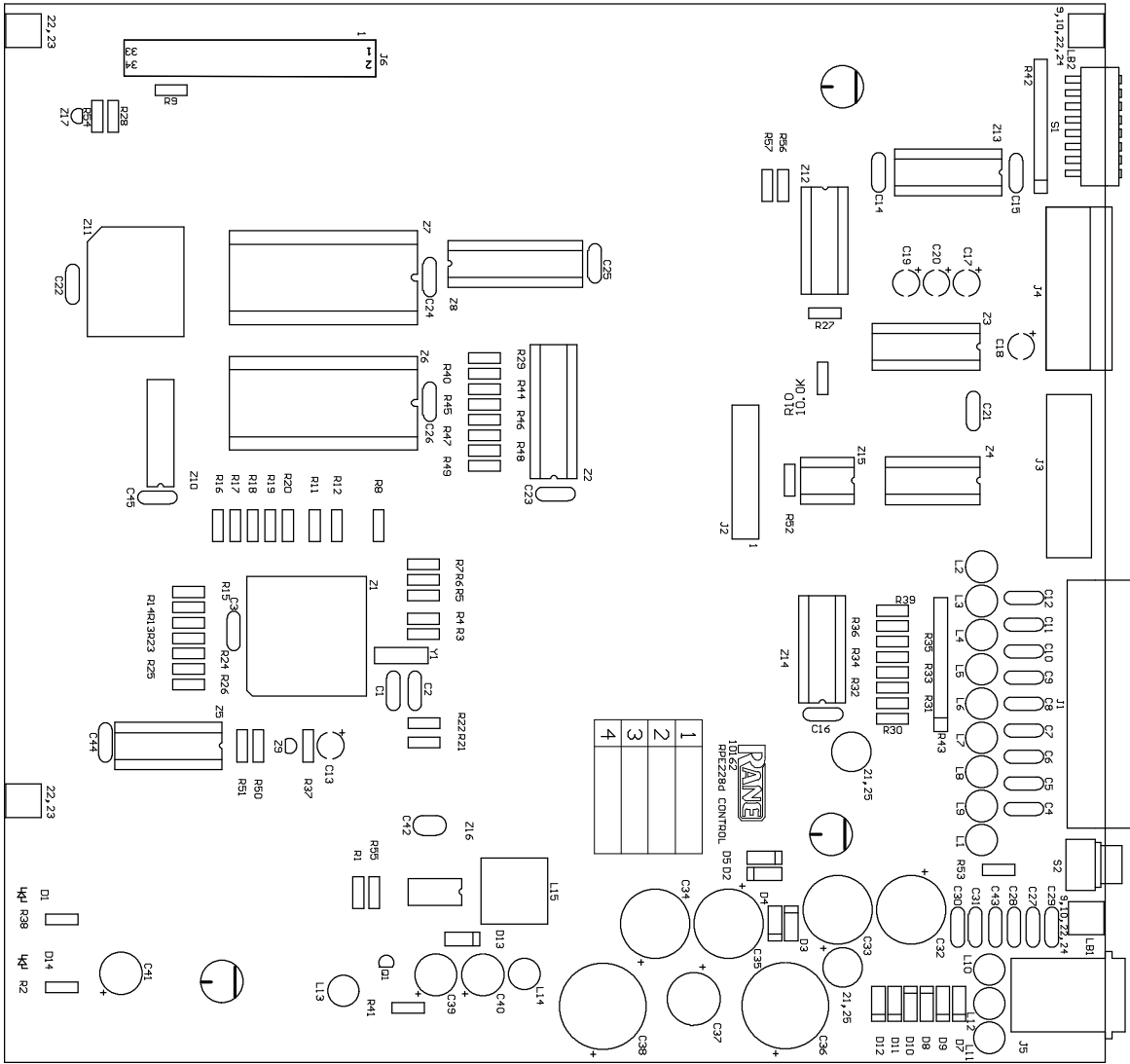
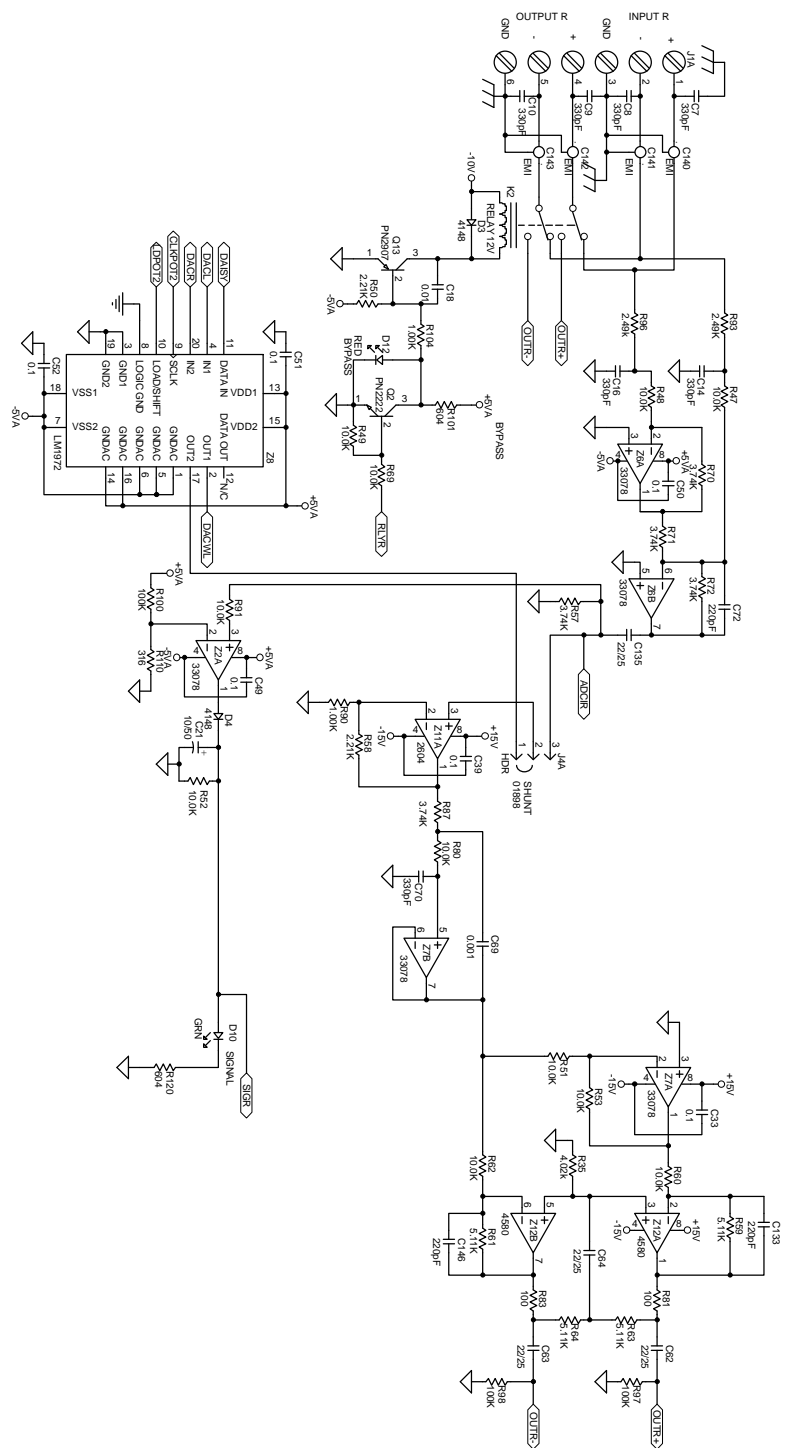


Rane Corp. (425)355-6000
 104152 DES: AUDIO, RPE228d SHEET 1 OF 2
 ACTION: NEW PRODUCT RWJ 18AUG98

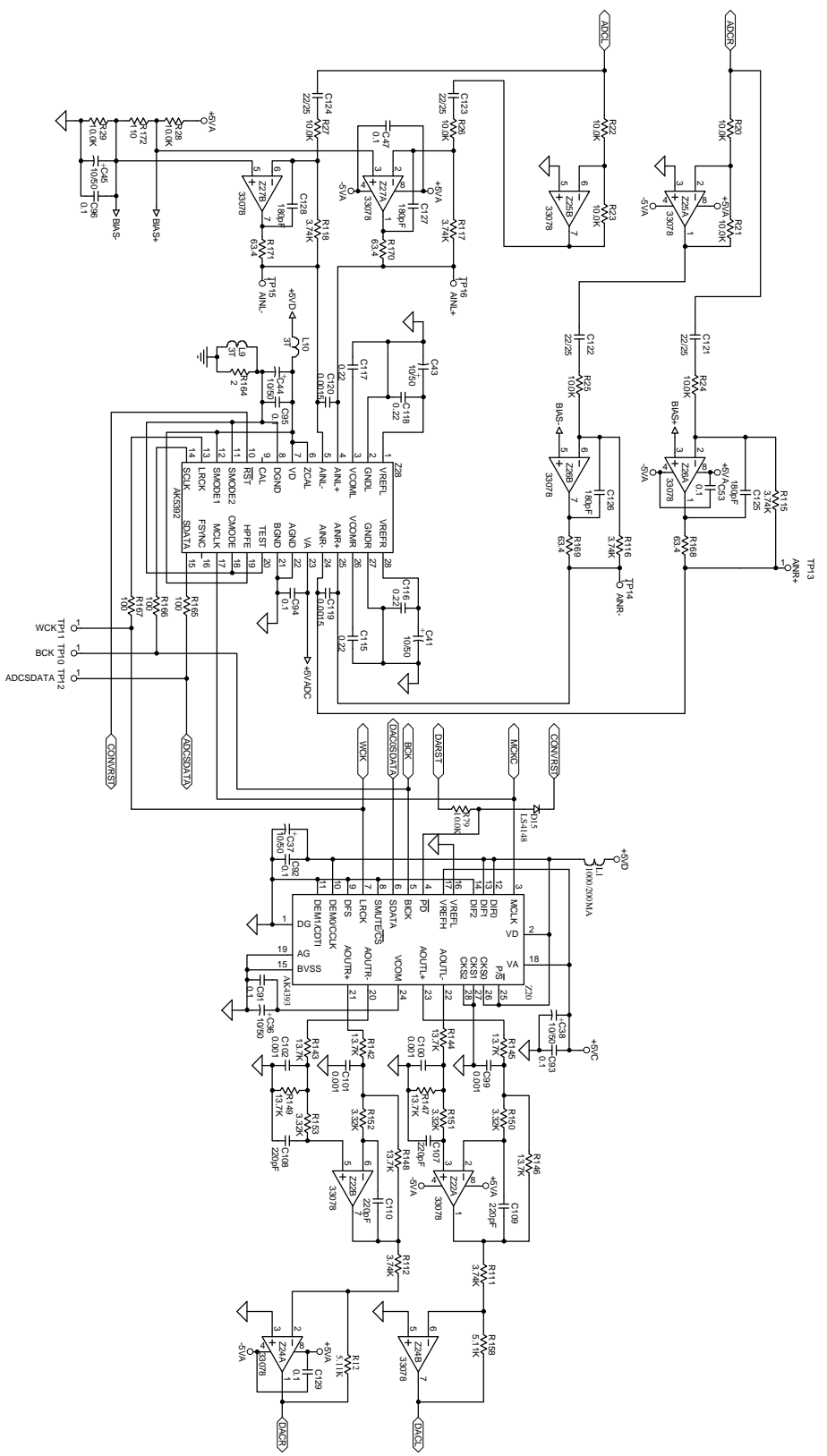


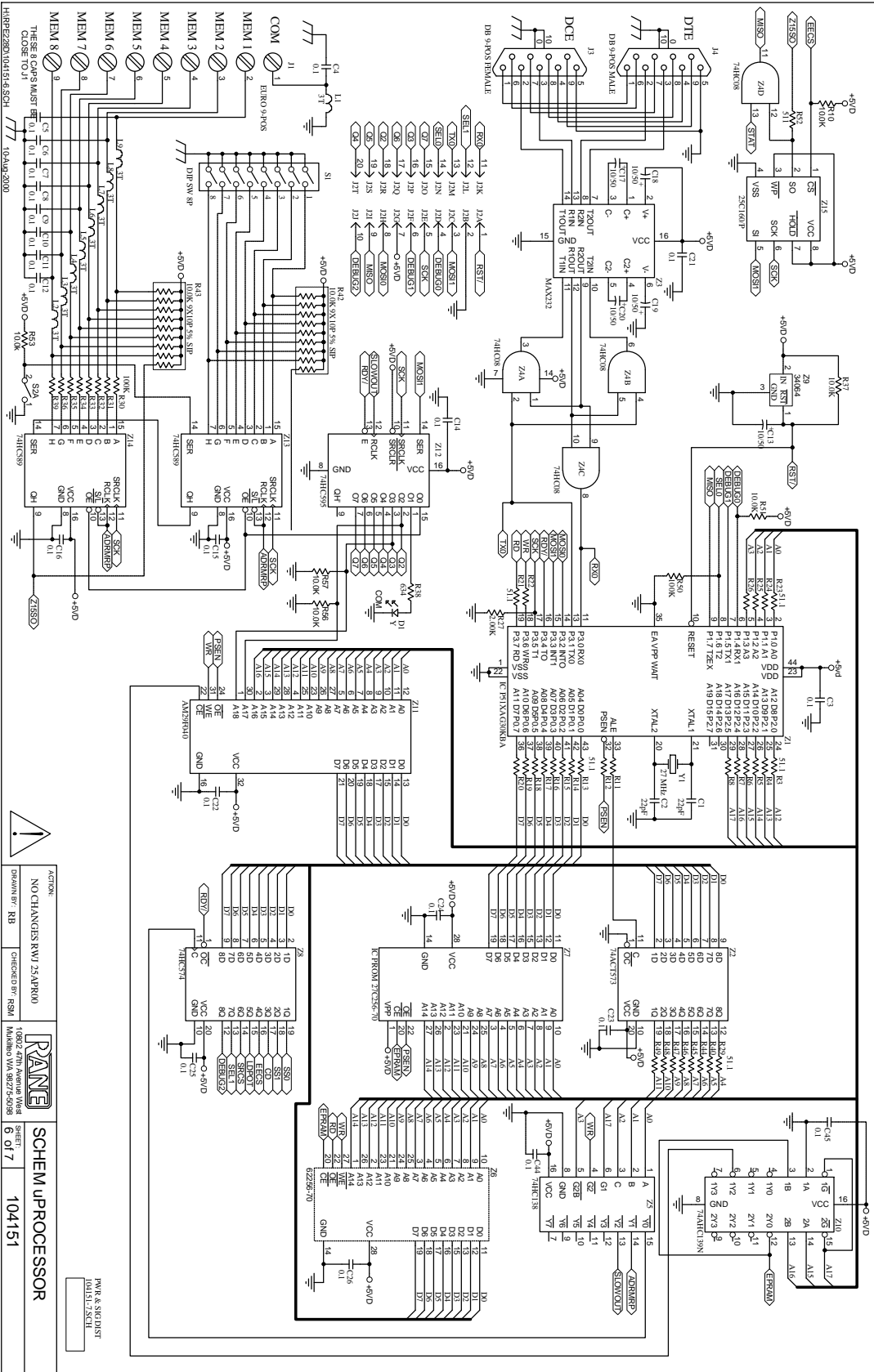


Rane Corp. (425)355-6000
 102159 DES: CONTROL RPE228d SHEET 1 OF 2
 ACTION: NEW PRODUCT RWJ 25AUG98



ACTION: WAS NOT TO CHANGE TO THIS SHEET RVI 19A1900	DRAWN BY: RB	CHECKED BY: RSM	PARANE 10802 27th Avenue West Hawthorn VIC 3122 AUSTRALIA	SCHEM RPE228D RIGHT CHAN SHEET 7 104151
---	-----------------	--------------------	--	---





ACTIVE
 NO CHANGES RWJ 25/M/RX0
 DRAWN BY: RB
 CHECKED BY: RSM
RANE
 10802 27th Avenue West
 Hawthorn VIC 3122-3038
 SHEET 54
SCHEM uPROCESSOR
 6 of 7
 104151
 HWK & SIG DIST
 (M)5113821

HAREP28B104151.B16.SCH
 104151-2000

