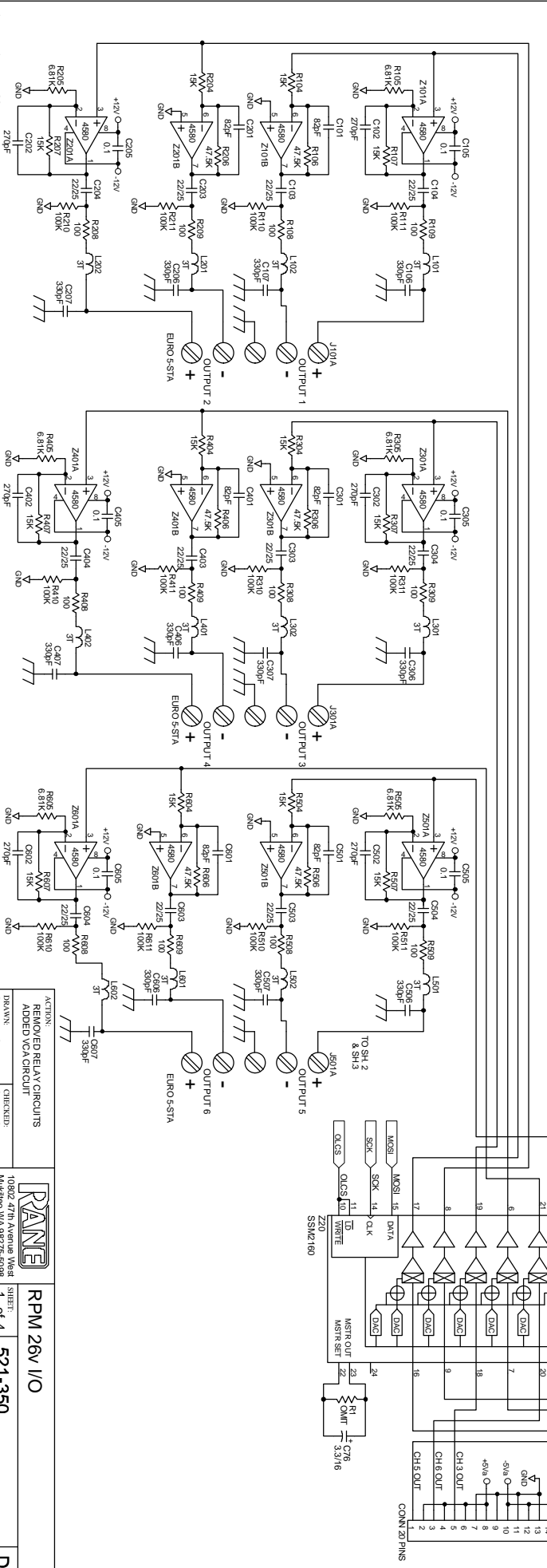
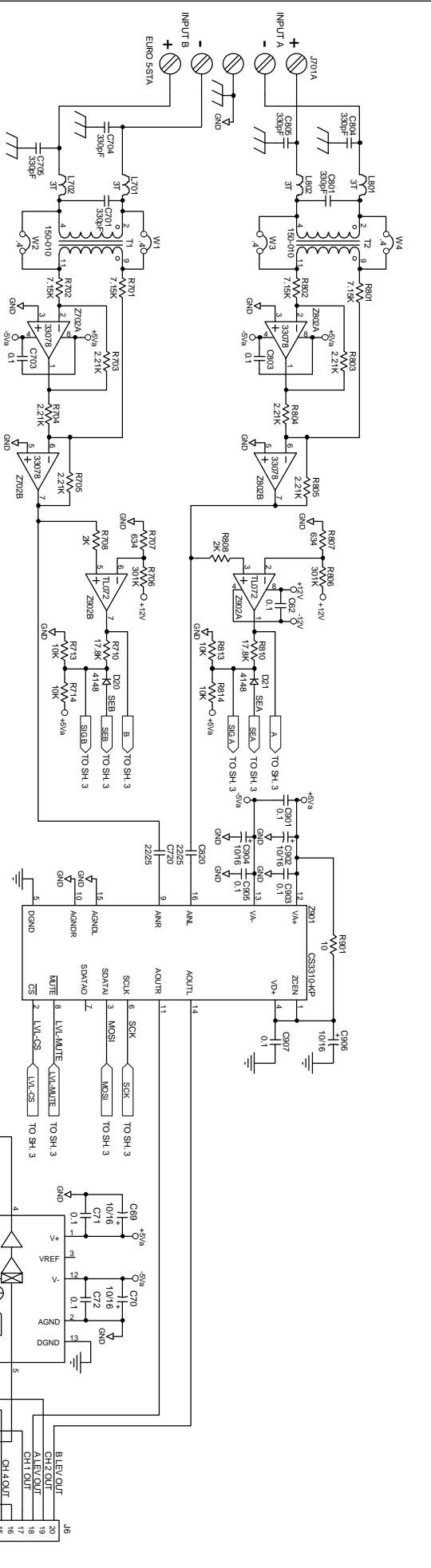
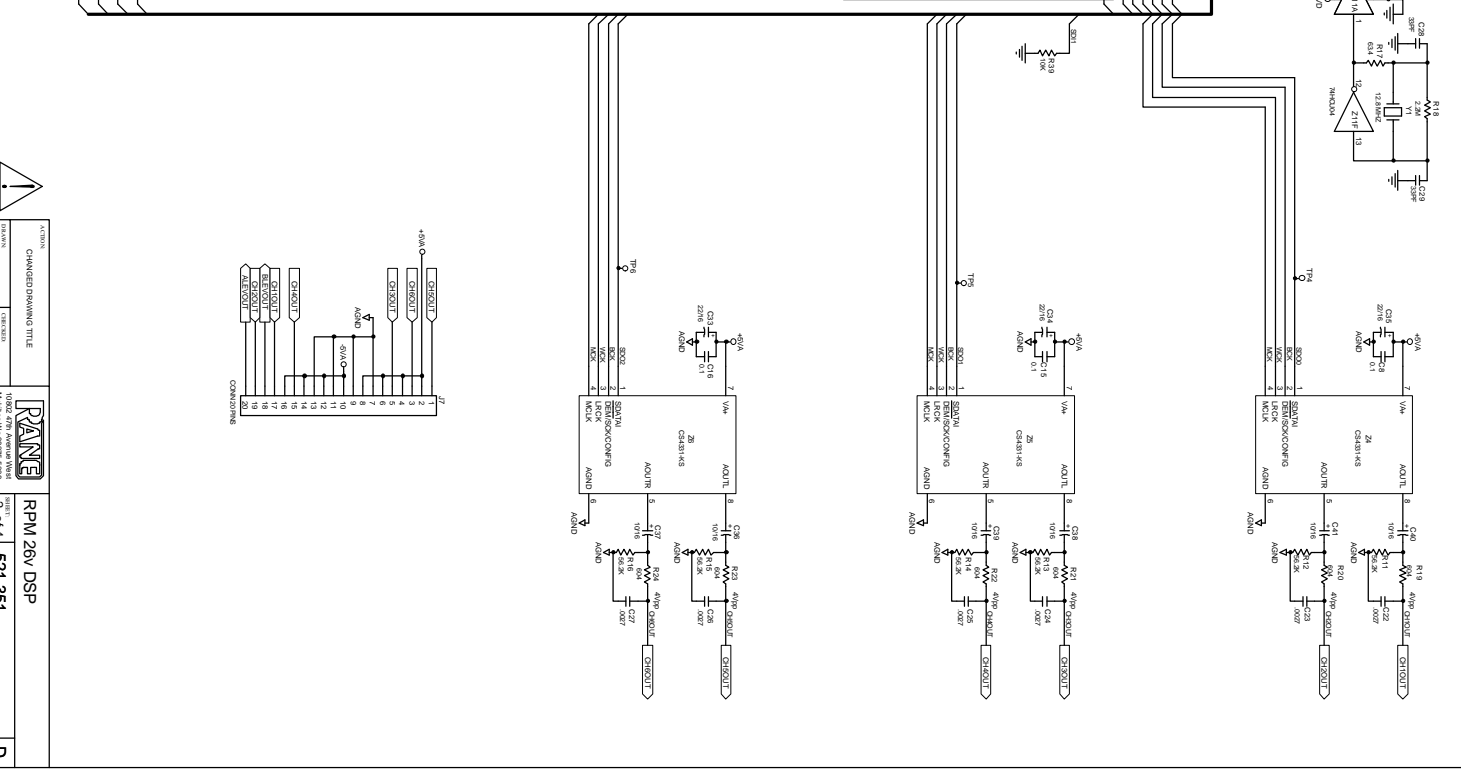
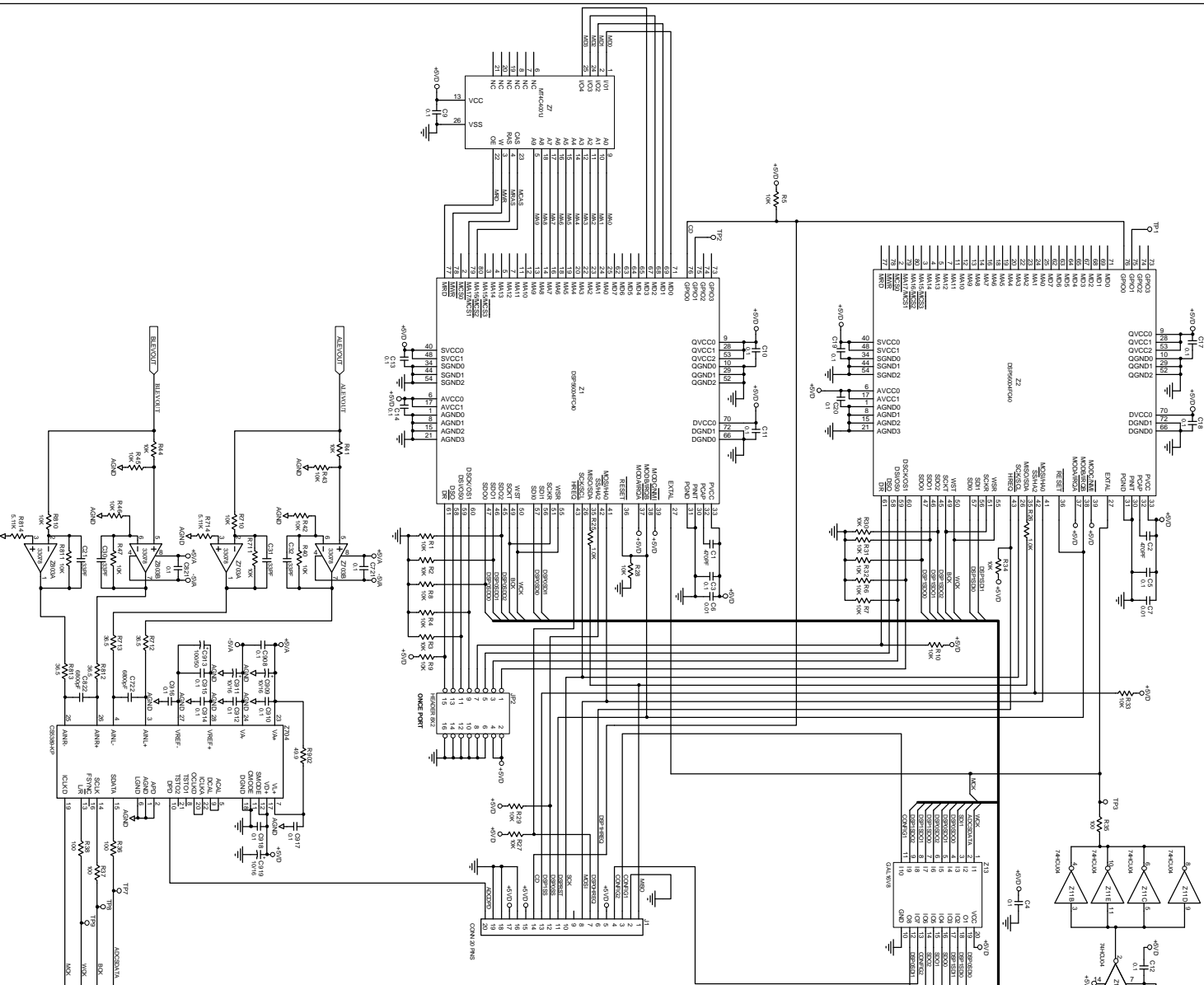


ACTION: DELETED K1-K3, Q9-Q11, Q901, R114-R117, R903, R103, R112, D12
 ADDED 220, R1, C76, C69-C72, D14-D16, D18, D19, Q3, Q4, R79, R88, R75, R99
 522-327 RPM 26v DES: REV C S. HEADRICK 28JUL97

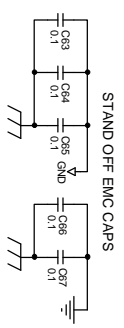
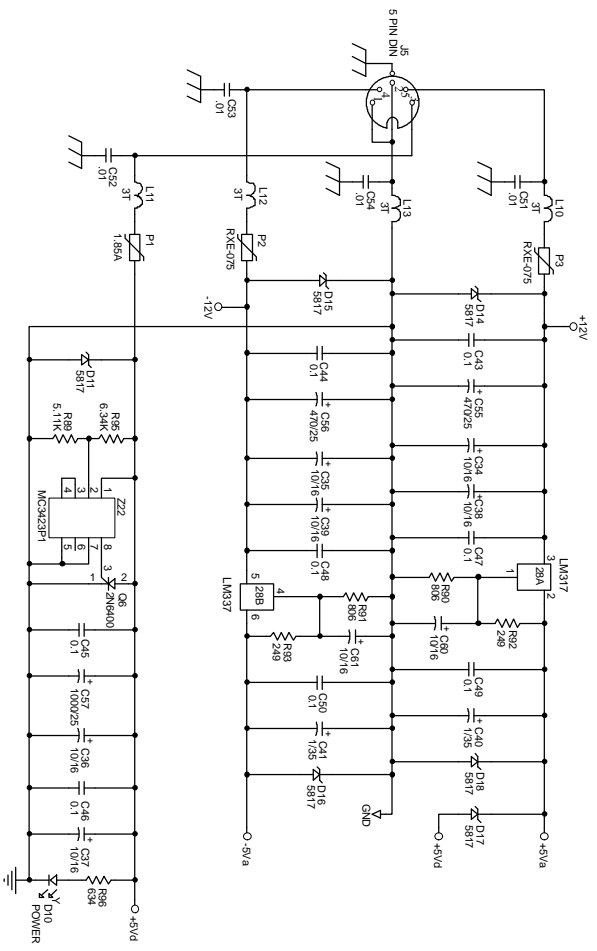


HIRM26A521-350 SCH
 22-ANJ-1987

ACTION:	REMOVED RELAY CIRCUITS
REMOVED:	ADDED VCA CIRCUIT
DRAWN:	SHEARDRICK
CHECKED:	S.R. McCATEE
RANE	
10802 47th Avenue West Mukilteo WA 98275-5098	
SHEET:	RPM 26V I/O
1 OF 4	521-350
D	



CHANGED DRAWING TITLE DRAWN BY: [Name] CHECKED BY: [Name]	RANE MAHARAJA VINAYAK 827250018	RPM 26V DSP 2 of 4 521-351	D
---	---	-------------------------------	---



ACTION:		ADDED (4) 1N5817 DIODES	
DRAWN:		470225 VVAS 1000/25	
CHECKED:		S R MACCATEE	
DRAWN:		S R MACCATEE	
		RPM 26V POWER SUPPLY	
10802 47th Avenue West Mukilteo WA 98275-5098		SHEET: 4 OF 4	
		521-353	
		C	