

WARNING

NO CHANGE TO THIS SHEET
WAS DOC 106-60 ALF 17/MAR/06

DRAWN BY: SKH CHECKED BY:

LOW XOVR SAC 23

SHEET: 2 of 5

10802 47th Avenue West
Mukilteo WA 98275-0698

109693

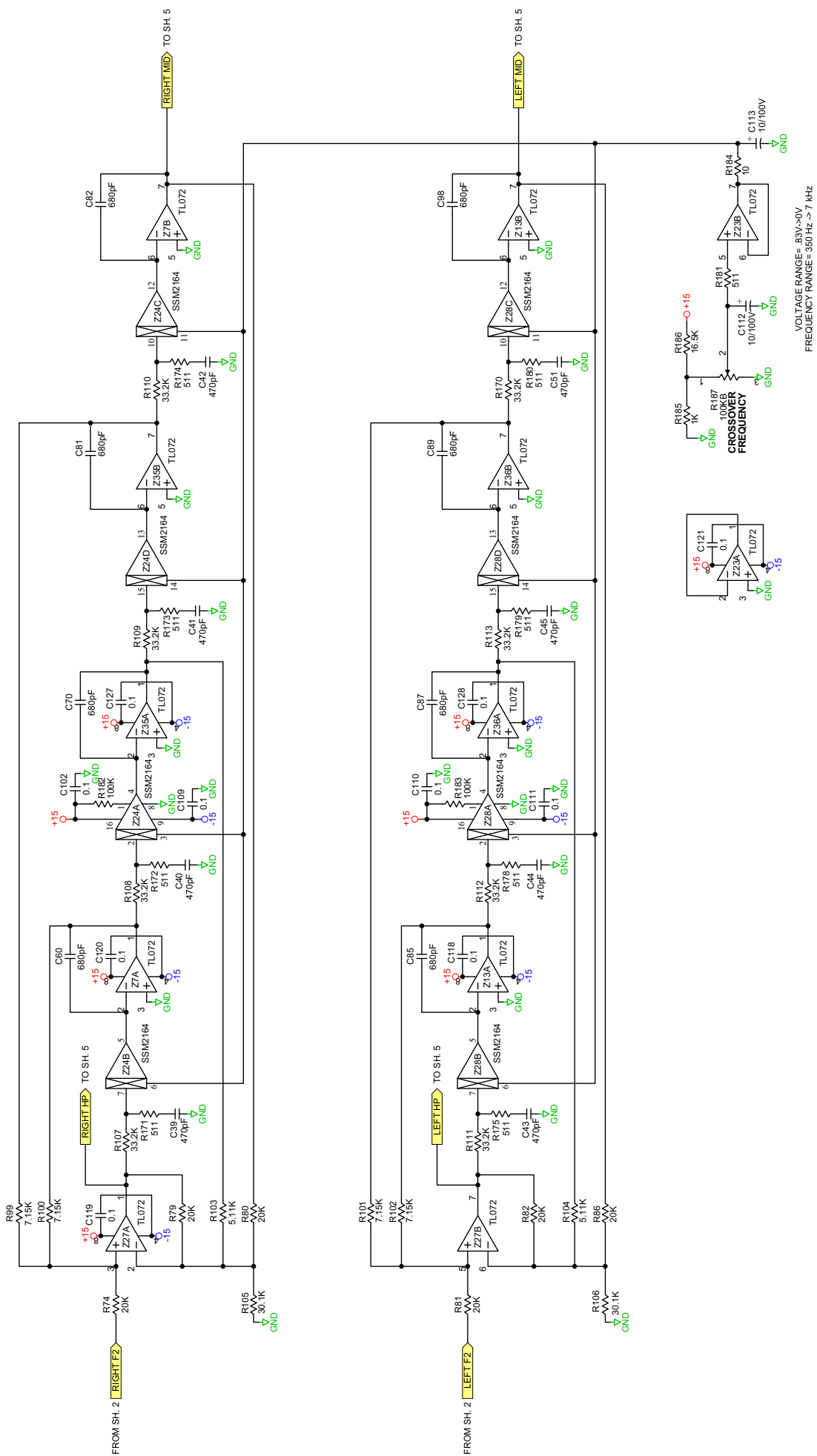
VOLTAGE RANGE= 7V-50V
FREQUENCY RANGE= 80 Hz -> 1 kHz

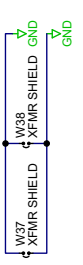
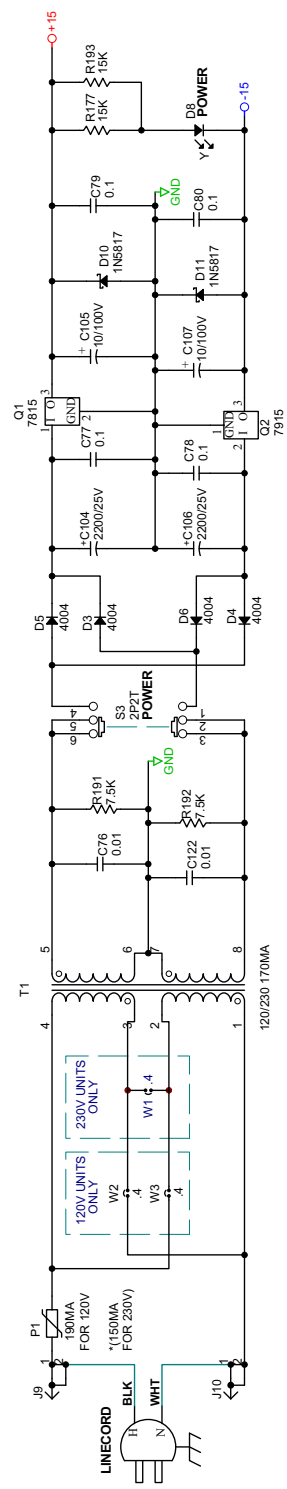
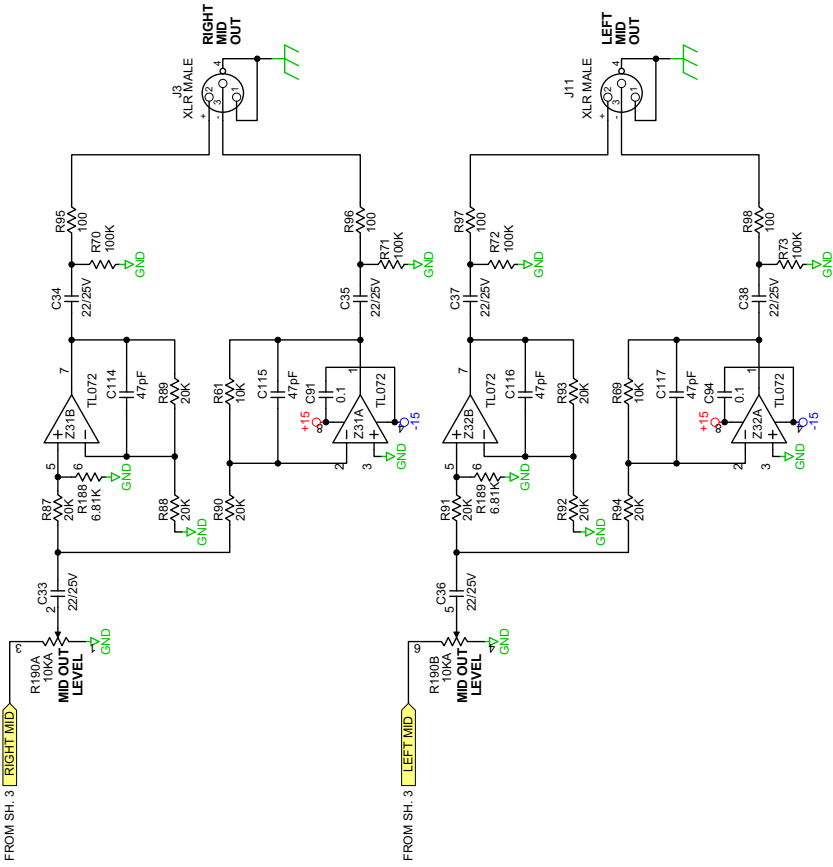
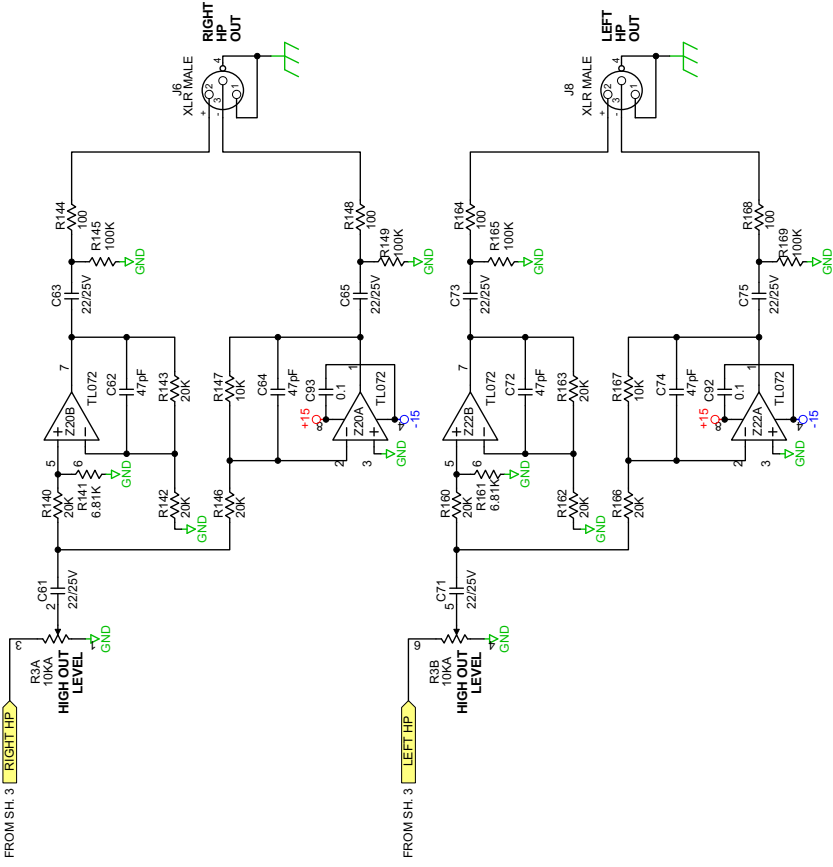
CROSSOVER FREQUENCY

RES 100KB
R55 1K R56 20K
R57 1K R58 100KB
R59 100KB
R60 100KB
R61 100KB
R62 100KB
R63 100KB
R64 100KB
R65 100KB
R66 100KB
R67 100KB
R68 100KB
R69 100KB
R70 100KB
R71 100KB
R72 100KB
R73 100KB
R74 100KB
R75 100KB
R76 100KB
R77 100KB
R78 100KB
R79 100KB
R80 100KB
R81 100KB
R82 100KB
R83 100KB
R84 100KB
R85 100KB
R86 100KB
R87 100KB
R88 100KB
R89 100KB
R90 100KB
R91 100KB
R92 100KB
R93 100KB
R94 100KB
R95 100KB
R96 100KB
R97 100KB
R98 100KB
R99 100KB
R100 100KB

23-Mbr-2006

H:\SAC23\109693.Z.SCH





FROM SH. 3 **RIGHT HP**

FROM SH. 3 **LEFT HP**

FROM SH. 3 **RIGHT MID**

FROM SH. 3 **LEFT MID**

LINECORD
BLK
WHT

J9

J10

W37
XFMR SHIELD
W38
XFMR SHIELD

10802 47th Avenue West
Mukilteo WA 98275-0688

ACTION: PER ECN 109641
ADD TWO DIODES D10, D11
WAS DOC 106460 ALF 17MAR06
DRAWN BY: SKH CHECKED BY:



RANE
MID/HI OUT/PWR SUP SAC 23

SHEET: 5 of 5
109693