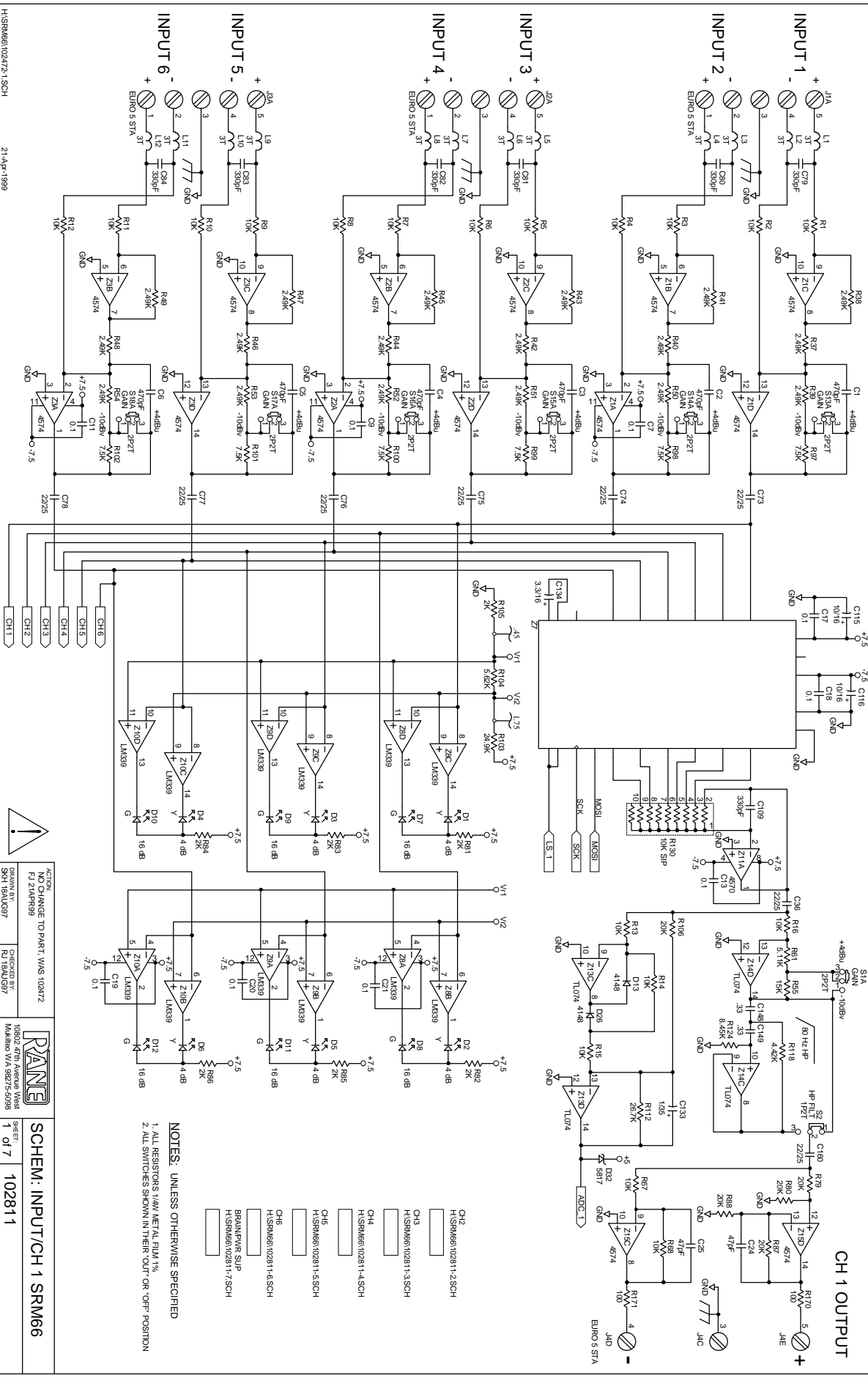


Rane Corp. (425)355-6000
 101279 DES: MAIN/BUTTON SRM66
 ACTION: ADDED (1) L-BRACKET (LB4),
 ADDED MC34064 (24) SKH 05DEC97

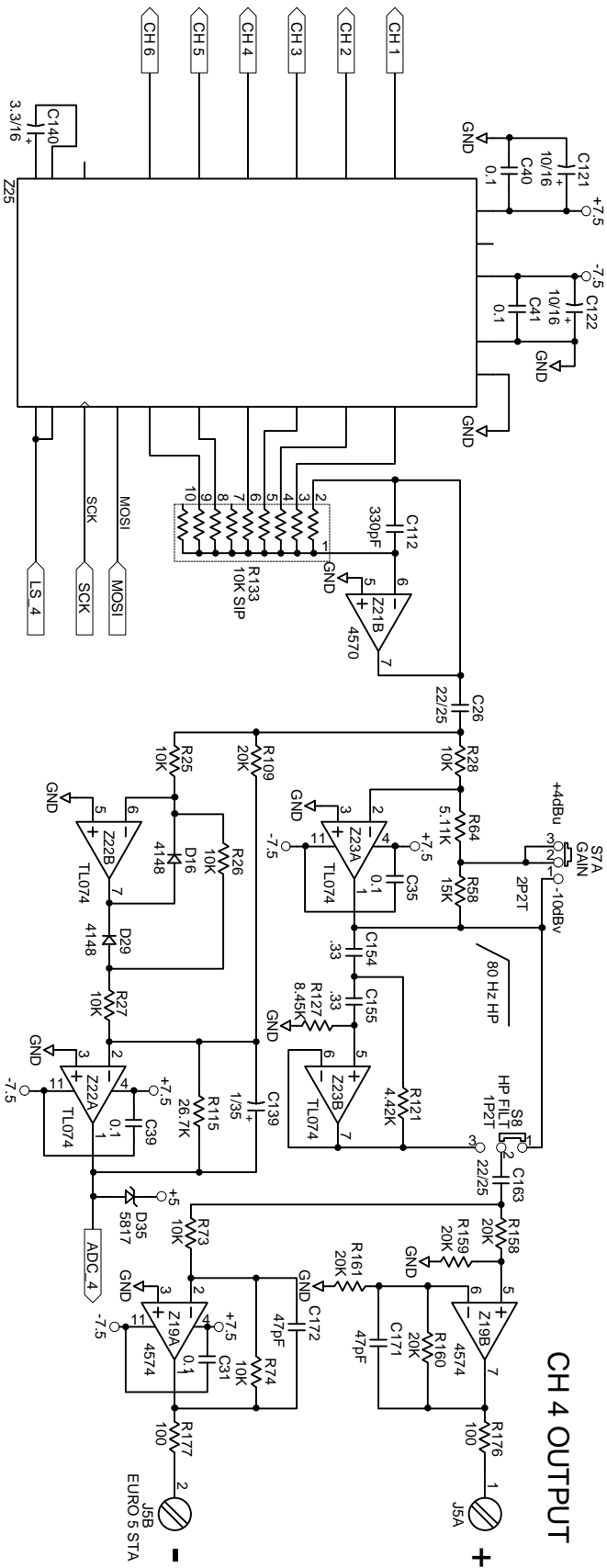


ACTION CHANGE TO PART: WWS 102472
 FJ21AHR99
 DRAWN BY: SCH 18AUC57
 CHECKED BY: RJ 18AUC57
 100% (0/0) Approved Value
 Makrom: V/A: 98275-5098

SCHEM: INPUT/CH 1 SRM66
 SHEET 1 OF 7
 102811

NOTES: UNLESS OTHERWISE SPECIFIED
 1. ALL RESISTORS 1/4W METAL FILM 1%
 2. ALL SWITCHES SHOWN IN THEIR "OUT" OR "OFF" POSITION

- CH2 H:SRM66102811-5.SCH
- CH3 H:SRM66102811-5.SCH
- CH4 H:SRM66102811-4.SCH
- CH5 H:SRM66102811-5.SCH
- CH6 H:SRM66102811-5.SCH
- BRK/PFRG SUP H:SRM66102811-7.SCH



CH 4 OUTPUT

H:\SRM66102812-4.SCH
21-Apr-1999

ACTION:
NO CHANGE TO PART, WAS 102472
FJ 21APR99
DRAWN BY:
SKH 18AUG97

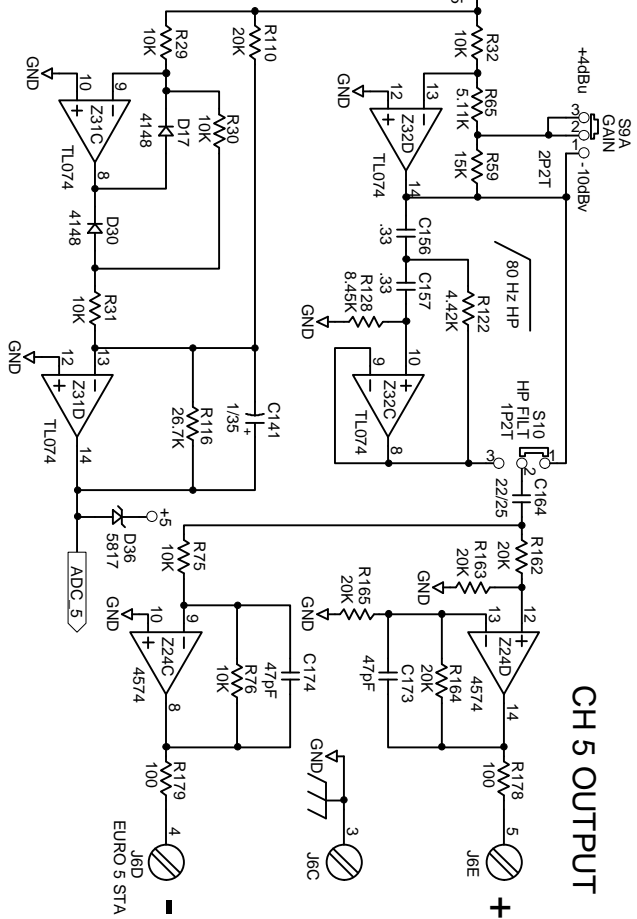
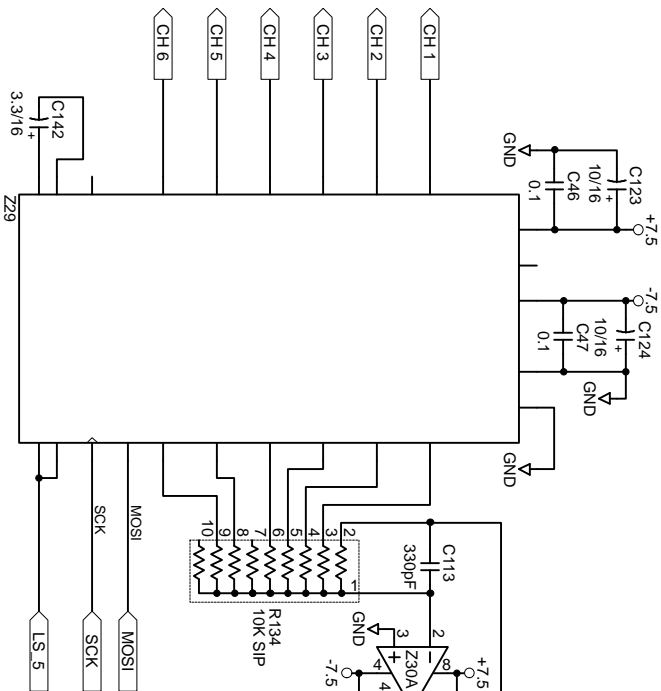


10802 47th Avenue West
Maple Ridge WA 98279-5098

SHEET:
4 of 7

102811

SCHEM: CH 4 SRM66



CH 5 OUTPUT

H:\SRM66\102812-5.SCH 21-Apr-1999

ACTION:
NO CHANGE TO PART, WAS 102472
FJ 21APR99
DRAWN BY:
SKH 18AUG97

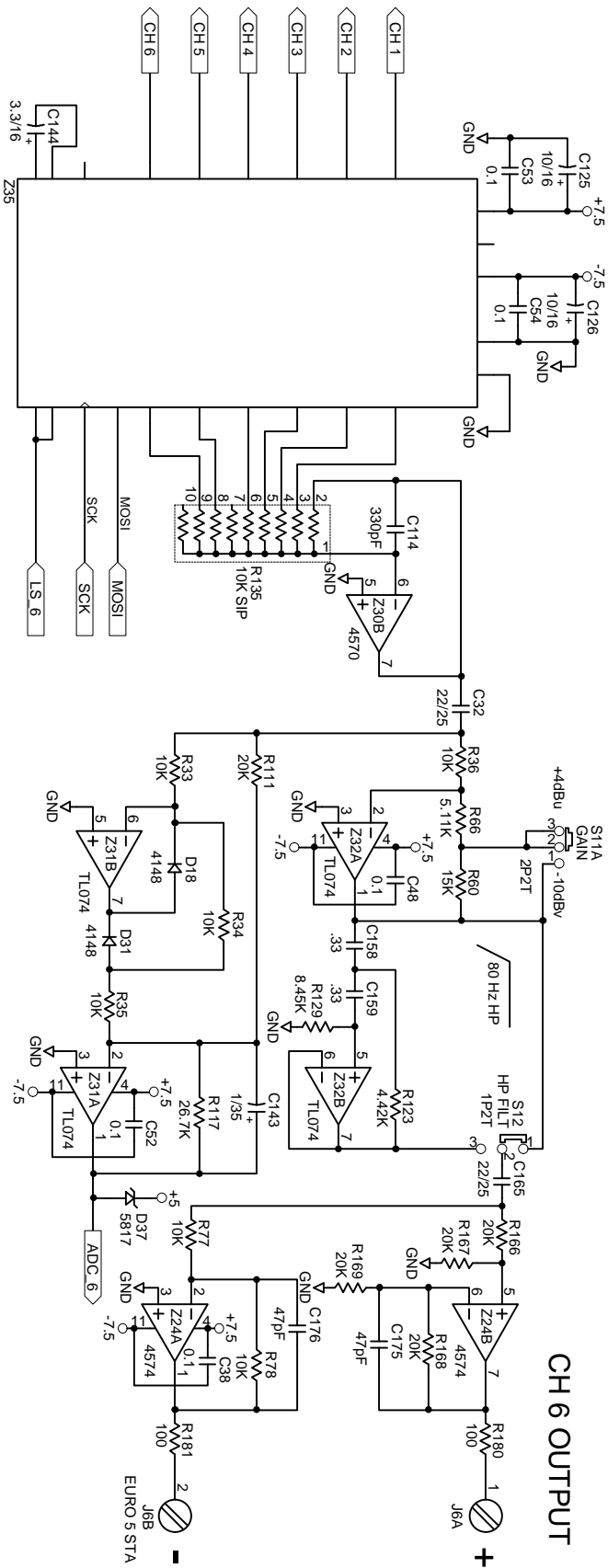


10802 47th Avenue West
Maple WA 98149-5098

SHEET:
5 of 7

102811

SCHEM: CH 5 SRM66



CH 6 OUTPUT



ACTION:
NO CHANGE TO PART, WAS 102472
FJ 21APR99

DRAWN BY:
SKH 18AUG97

CHECKED BY:
RJ 18AUG97



SHEET:
6 of 7

SCHEM: CH 6 SRM66

102811

