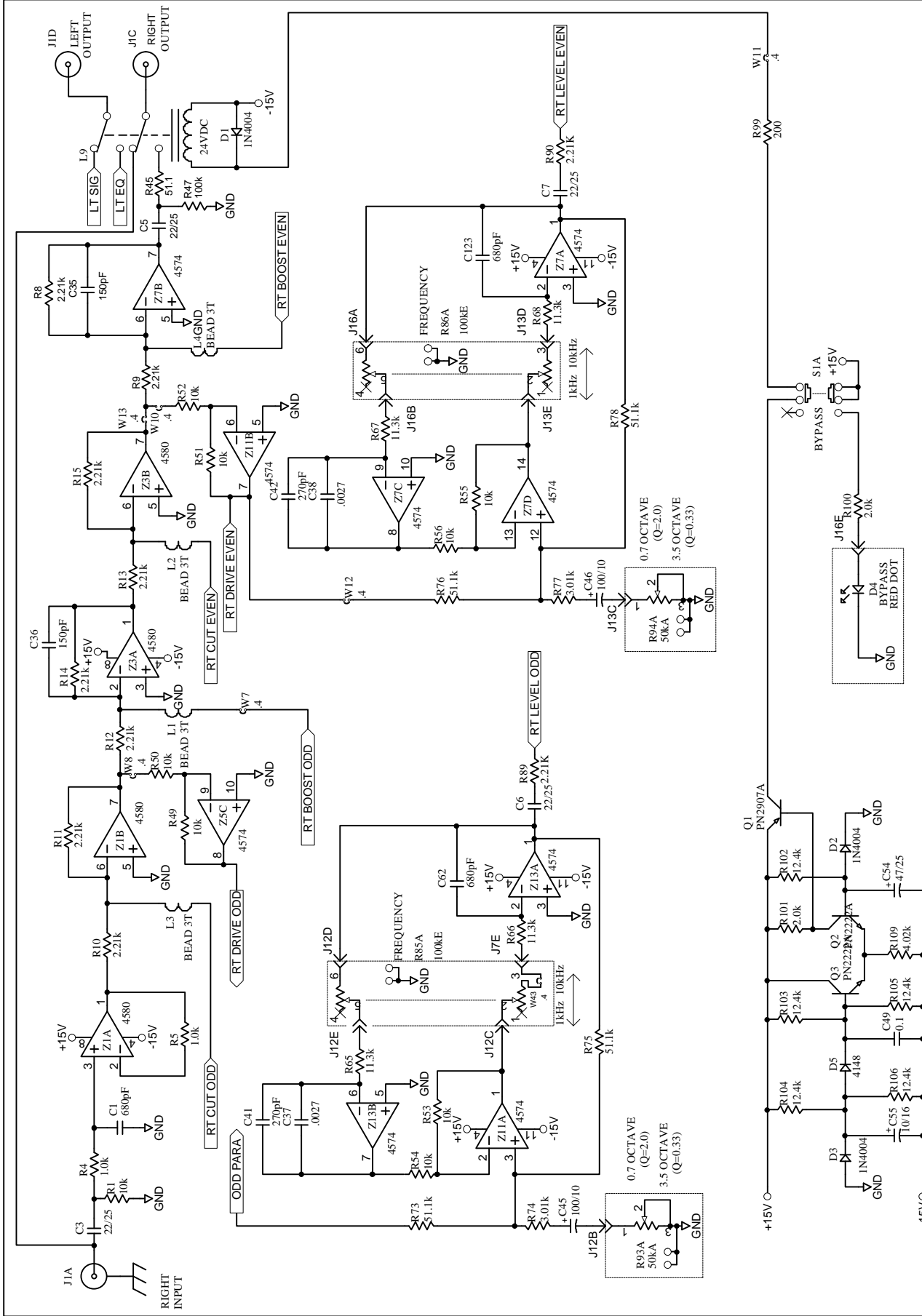


RANE		SSE 22 LEFT CHANNEL	
DRAWN: BY R. JOHNSTON	CHECKED: BY R. JEFFES	SHEET: 2 of 3	521-364
10809 47th Avenue West Mulholland, WA 98275-5086			
22-Oct-1996			
H:\SSE22\521-364.SCH			
		A	



RANE		SSE 22 RIGHT CHANNEL	
ACTION		DRAWN: BY R. JOHNSTON	
10802, 47th Avenue West Mulliken, WA 98275-5086		CHECKED: BY R. JEFFES	
SHEET: 1 of 3		521-363	
A		22-Oct-1986	