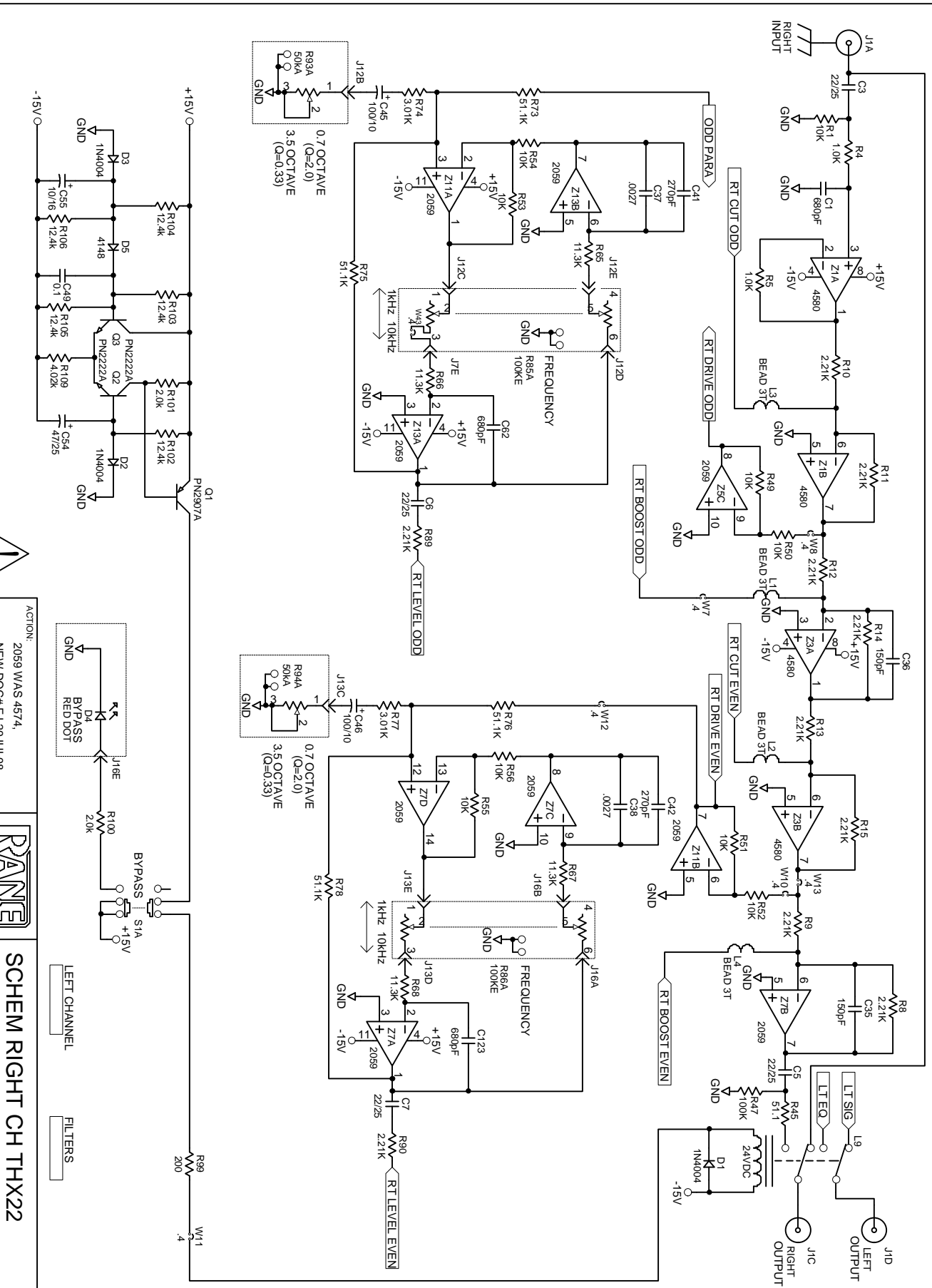


Rane Corp. (425)355-6000  
 101602 DES MAIN/SLIDER SSE22  
 ACTION: NO CHANGE TO PARTS, NEW DOC# FJ 23FEB98



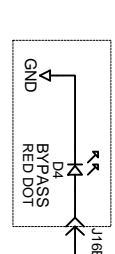
H:\THX22\101598-1.SCH 29-JUL-1998

ACTION: 2059 WAS 4574,  
 NEW DOC# FJ 29JUL98



SCHEM RIGHT CH THX22

102175



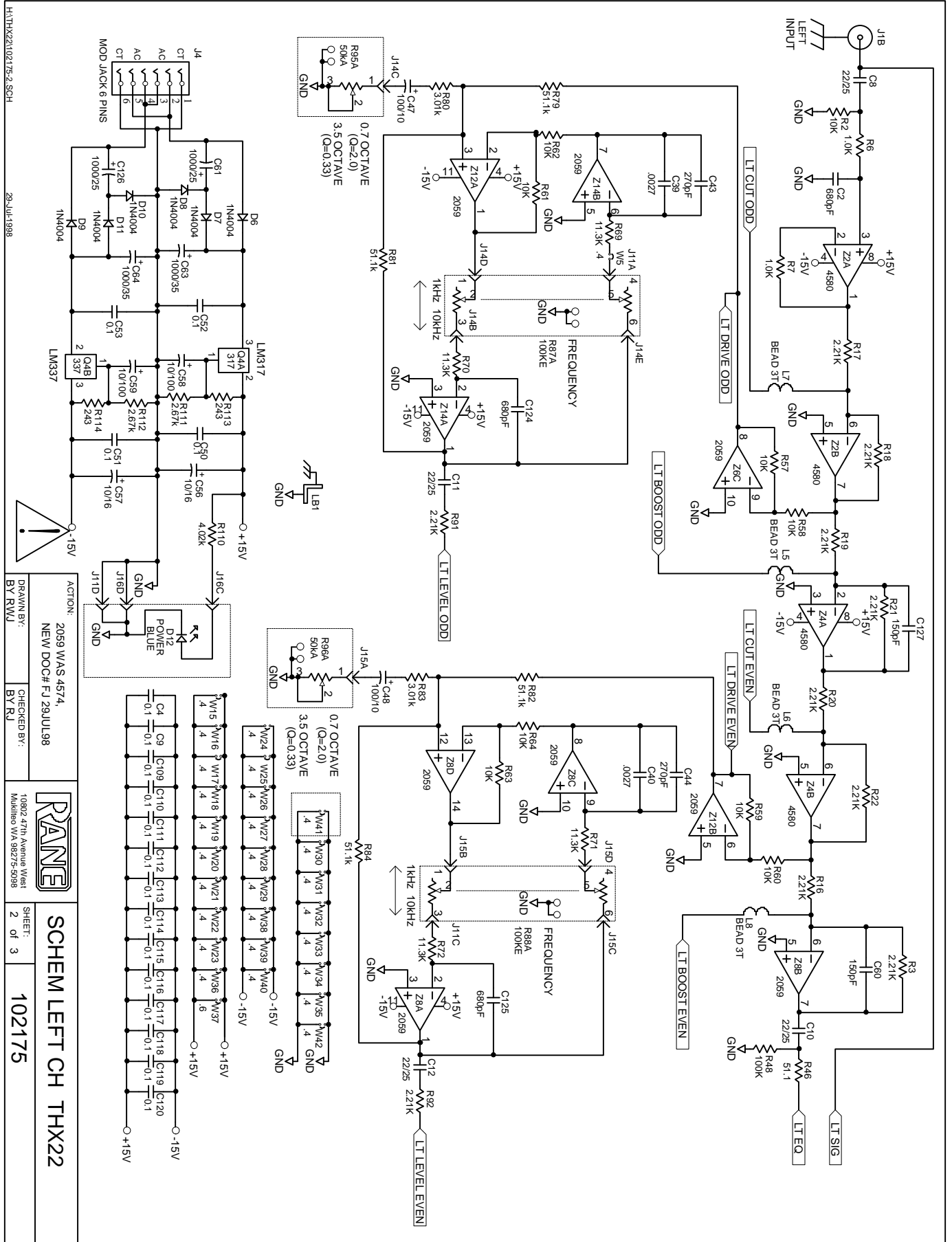
LEFT CHANNEL

FILTERS

DRAWN BY: BY RWJ  
 CHECKED BY: BY RJ

10802 47th Avenue West  
 Mukwonago, WI 53075-5098

SHEET: 1 of 3



ACTION: 2059 WAS 4574,  
NEW DOC# FJ 29JUL98

DRAWN BY: BY RWJ

CHECKED BY: BY RJ



SCHEM LEFT CH THX22

SHEET: 2 of 3

102175

