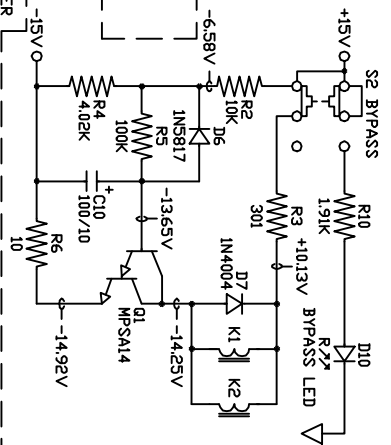


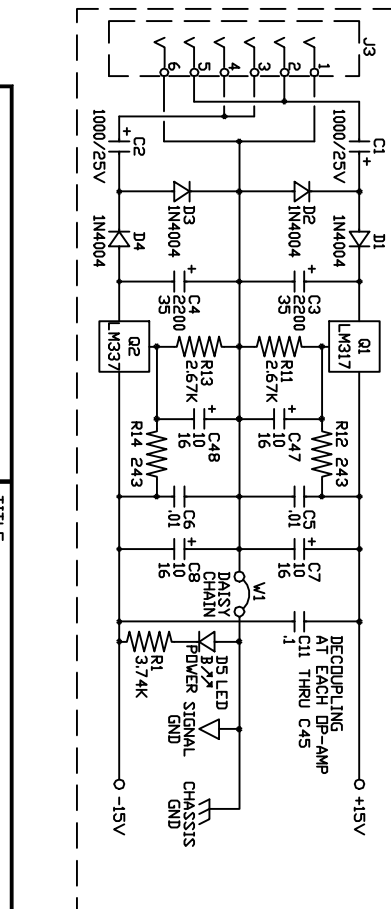
NOTES (UNLESS OTHERWISE SPECIFIED)

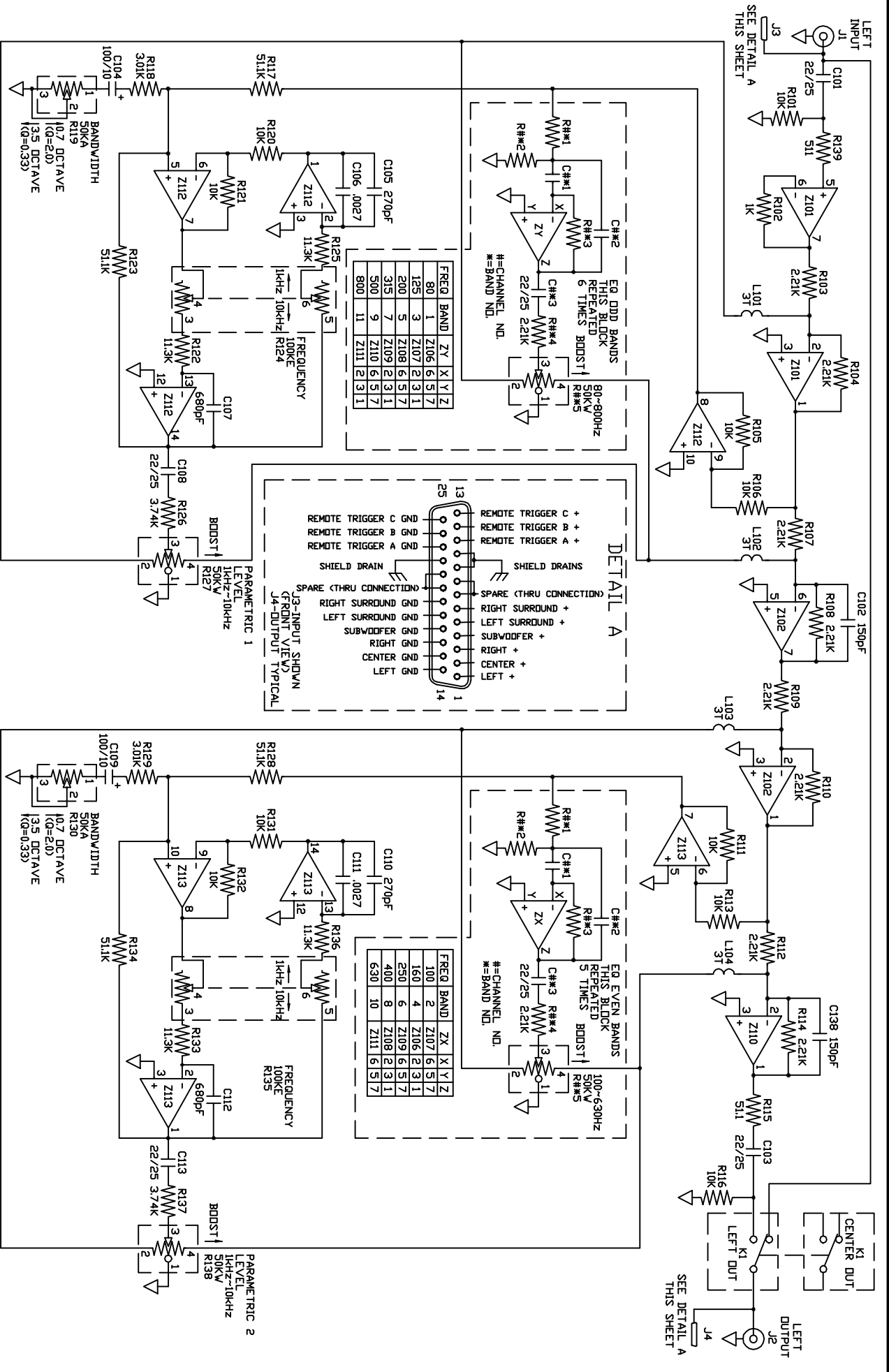
1. ALL RESISTORS 1/4W, 1%, METAL FILM
 2. ALL SVS SHOWN IN THEIR 'OUT' OR 'OFF' POSITION
 3. IC'S:
 - SINGLE = Z401-55534
 - DUAL = ALL ARE 4570 OR EQUIV.
 4. POWER SUPPLY CONNECTIONS:
 - POS SUP: NEG SUP
 - SING: 4
 - DUAL: 8
 5. PAGE 2 REPEATED THREE TIMES (LEFT, CENTER AND RIGHT FRONT)
 - CHANNEL 1 PARTS NUMBERED 100-199 (LEFT FRONT)
 - CHANNEL 2 PARTS NUMBERED 200-299 (CENTER)
 - CHANNEL 3 PARTS NUMBERED 300-399 (RIGHT FRONT)
 - CHANNEL 4 PARTS NUMBERED 400-499 (SUBWOOFER)
- COMPONENTS NUMBERED 1-99 ARE COMMON TO ALL CHANNELS
 BAND DESIGNATION SCHEME:
 BAND NUMBER (01-11)
 COMPONENT TYPE
 1=LEFT FRONT, 2=CENTER, 3=RIGHT FRONT, 4=SUBWOOFER
 CAPACITOR, CHANNEL 1 (LEFT FRONT), BAND 07 (315Hz), NUMBER 2

POWER-UP/BYPASS RELAY



POWER SUPPLY

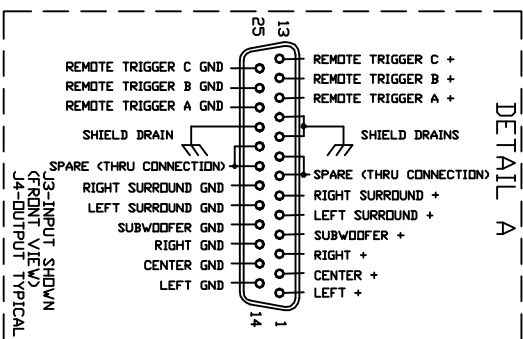




EQ. ODD BANDS
THIS BLOCK
REPEATED
6 TIMES
BOOST

FREQ BAND	ZY	X	Y	Z	
80	1	Z106	6	5	7
125	3	Z107	2	3	1
200	5	Z108	6	3	1
315	7	Z109	2	3	1
500	9	Z110	6	5	7
800	11	Z111	2	3	1

#=CHANNEL NO.
*=BAND NO.



EQ. EVEN BANDS
THIS BLOCK
REPEATED
5 TIMES
BOOST

FREQ BAND	ZX	X	Y	Z	
100	2	Z107	6	5	7
160	4	Z106	2	3	1
250	6	Z109	6	3	1
400	8	Z108	2	3	1
630	10	Z111	6	5	7

#=CHANNEL NO.
*=BAND NO.

SEE NOTES SHEET 1
EXCEPT AS NOTED
CHANNEL 1 (LEFT FRONT) SHOWN. CHANNELS 2 (CENTER) AND 3 (RIGHT FRONT) IDENTICAL.

C1 AND C2 = 0.1

THX 44 FILTER VALUES				
FREQ	BAND	R1	R2	R3
80	1	68.1K	3.01K	137K
100	2	54.9K	2.43K	110K
125	3	43.2K	1.96K	86.6K
160	4	34K	1.5K	68.1K
200	5	27.4K	1.21K	54.9K
250	6	21.5K	976	43.2K
315	7	17.4K	768	34.8K
400	8	13.7K	604	27.4K
500	9	11K	487	21.5K
630	10	8.66K	383	17.4K
800	11	6.81K	301	13.7K