

- PGM 2 INPUT 103787/2.SCH
- MICHEADPHONE 103787-5.SCH
- PGM TONE 103787-3.SCH
- METER 103787-6.SCH
- CH FADERS/ XFADER 103787-4.SCH
- MASTERS/SPLY 103787-7.SCH

H:\TTM521\103787-1.SCH 23-Mar-2000



ACTION:  
DRAWN BY: RJ  
CHECKED BY: RJ

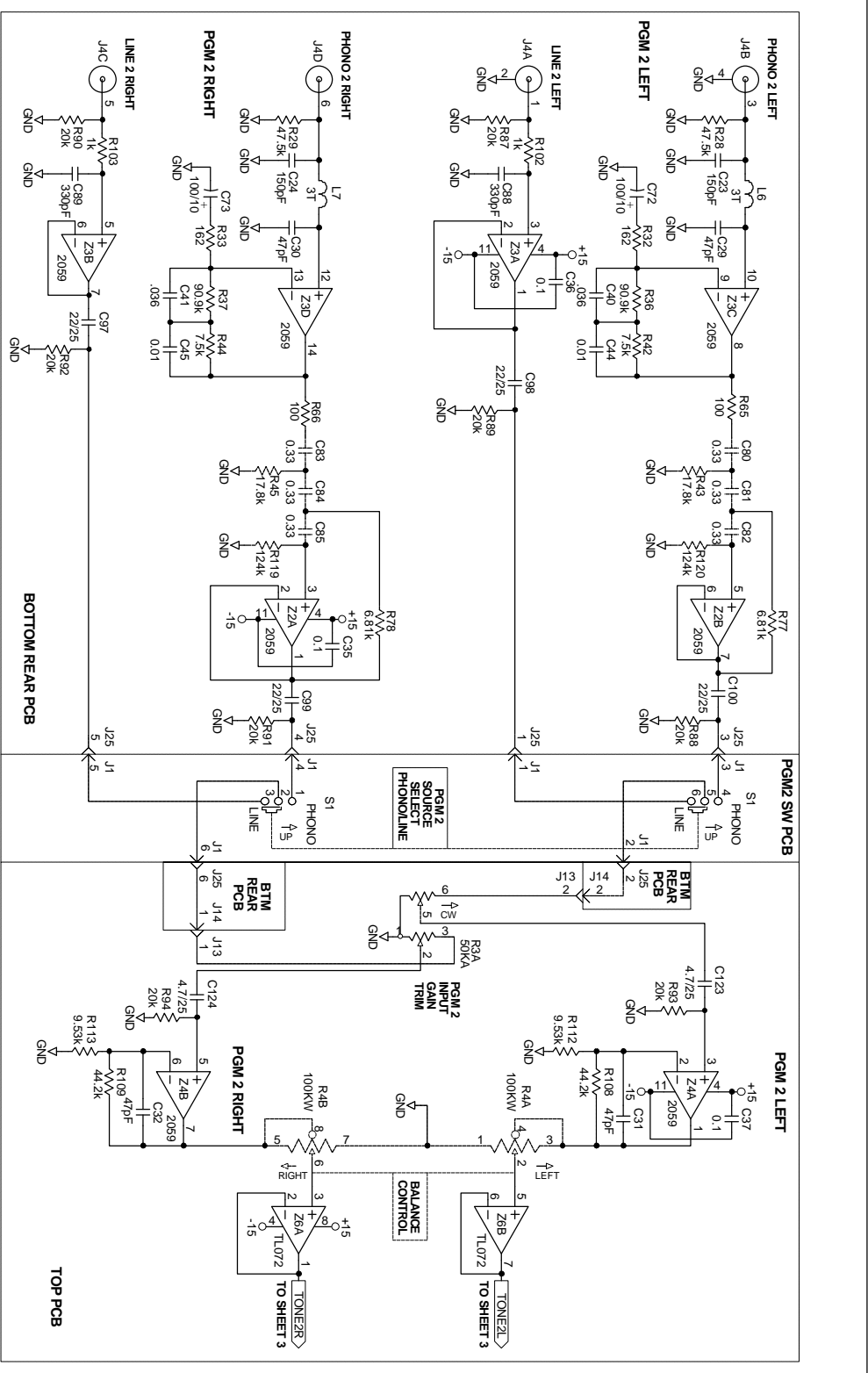


10802 47th Avenue West  
Mableton VA 98275-5098

SHEET: 1 of 7  
PGM 1 INPUT TTM 521  
103787

U.S. PATENT PENDING

NOTES: (UNLESS OTHERWISE SPECIFIED)  
1. ALL RESISTORS METAL FILM 1/4W 1%  
2. ALL SWITCHES SHOWN IN THEIR "OUT" OR "OFF" POSITIONS.



ACTION:		
DRAWN BY:	RJ	
CHECKED BY:	RJ	
10802 47th Avenue West Mukilteo WA 98275-5098		
SHEET:	2 of 7	PGM 2 INPUT TTM 521
		103787

H:\TTM521\103787.2.SCH

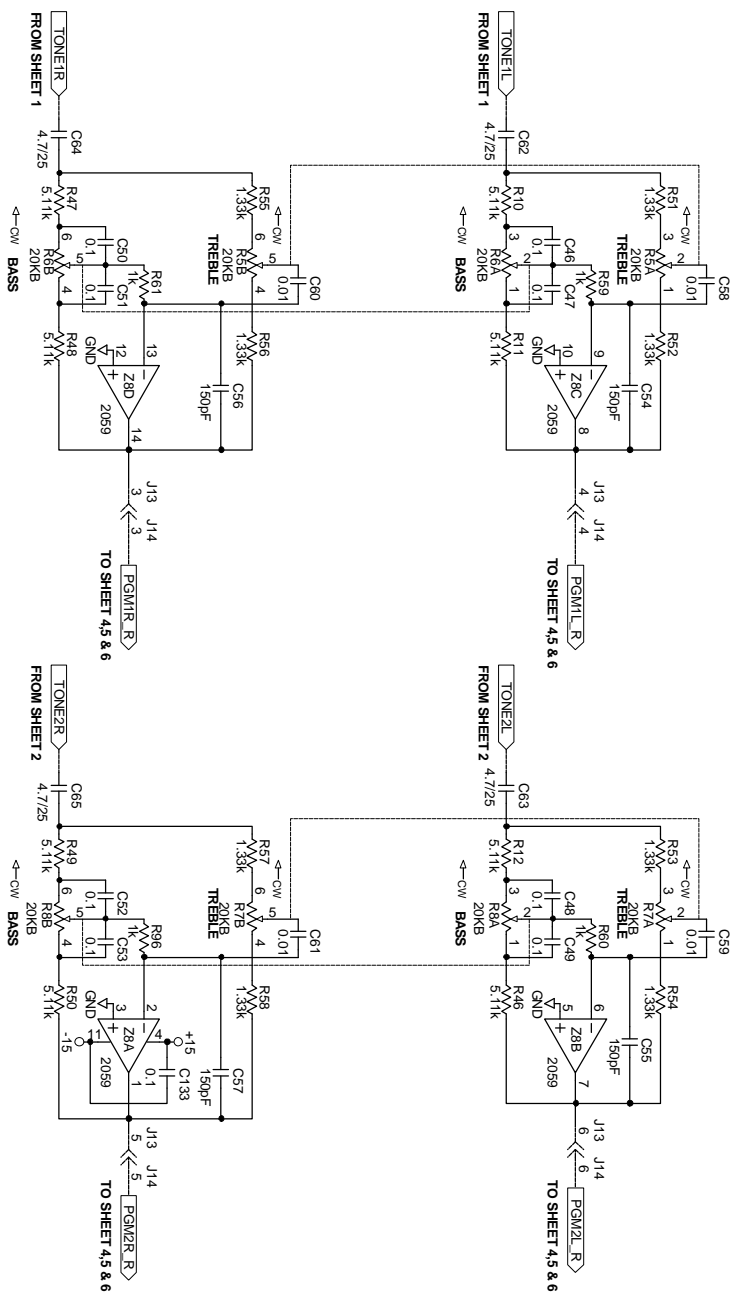
23-Mar-2000



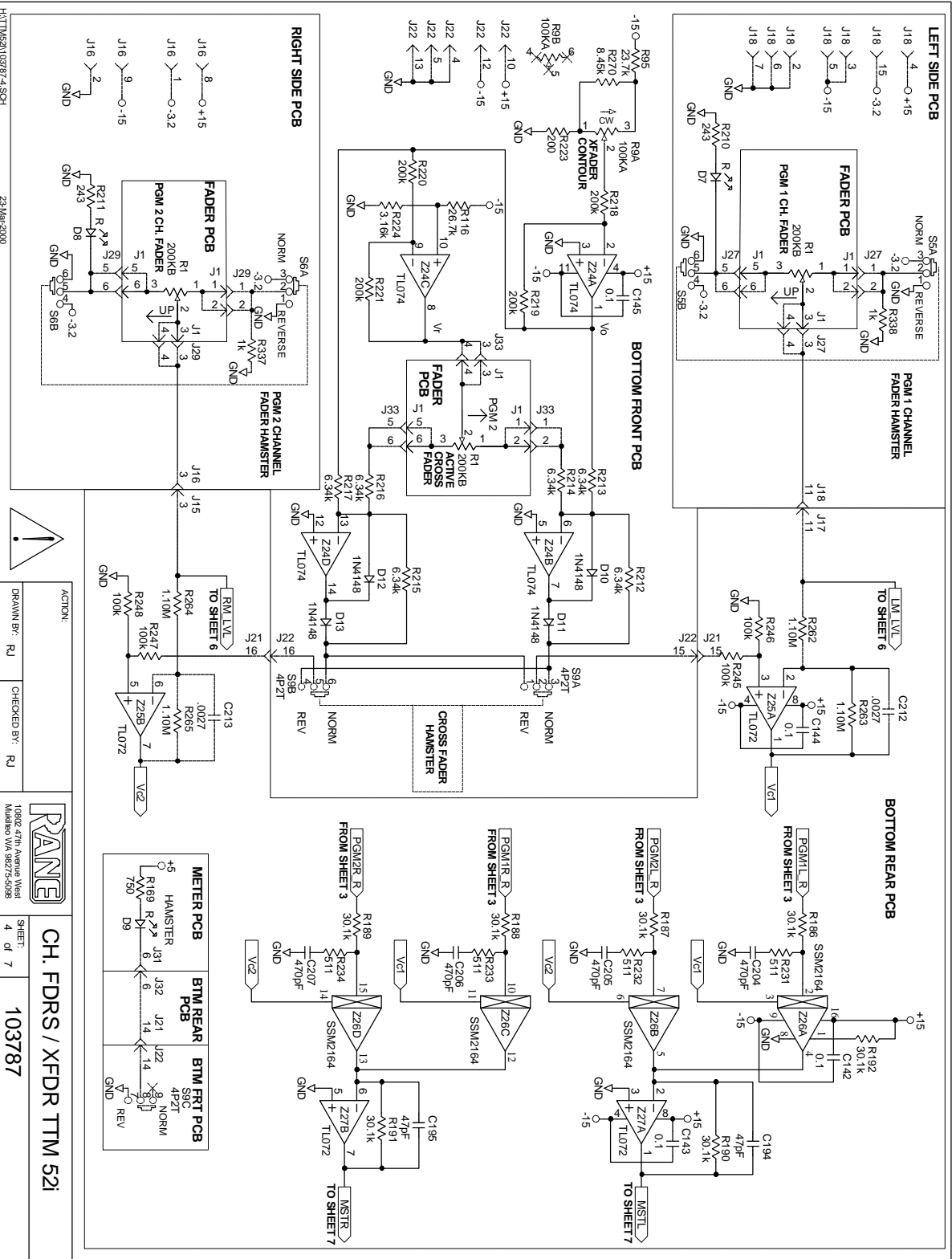
ACTION:  
 DRAWN BY: RJ  
 CHECKED BY: RJ



PGM TONE TTM 521  
 SHEET: 3 of 7  
 103787



TOP PCB

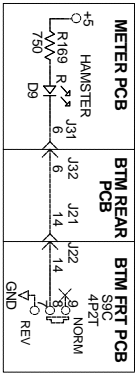


ACTION:  
 DRAWN BY: RJ  
 CHECKED BY: RJ

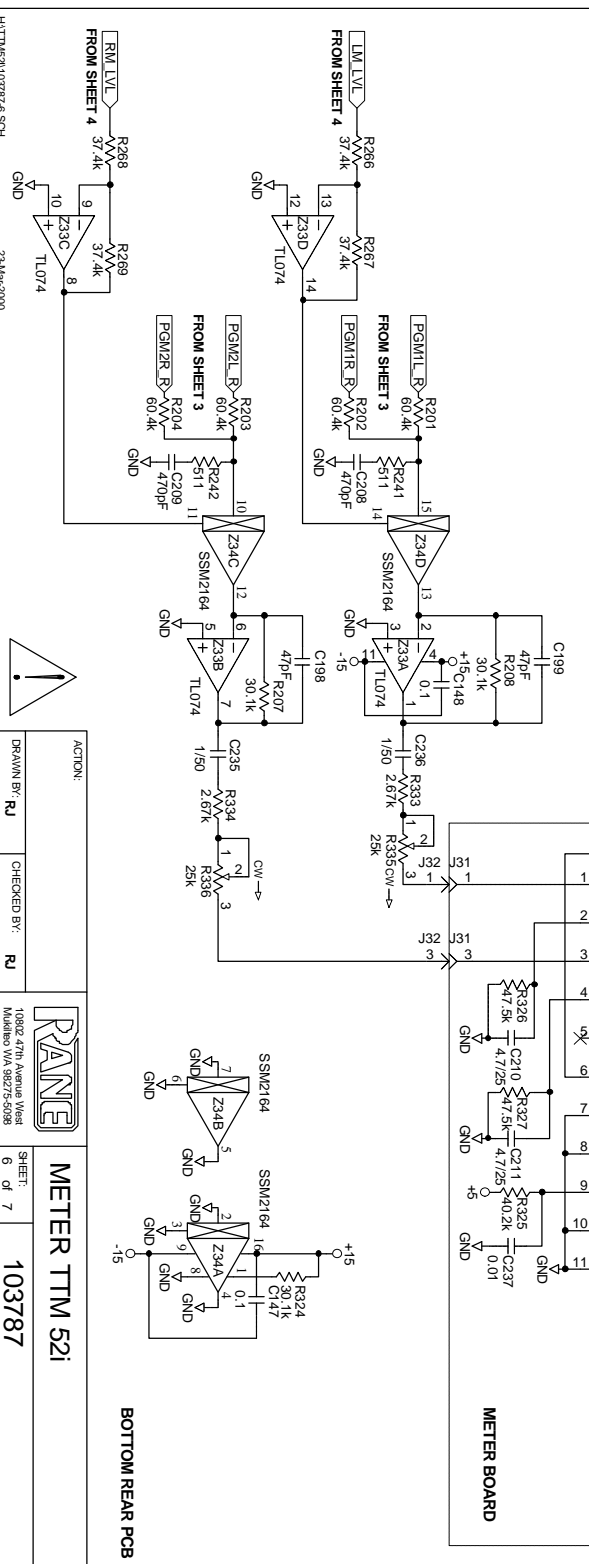
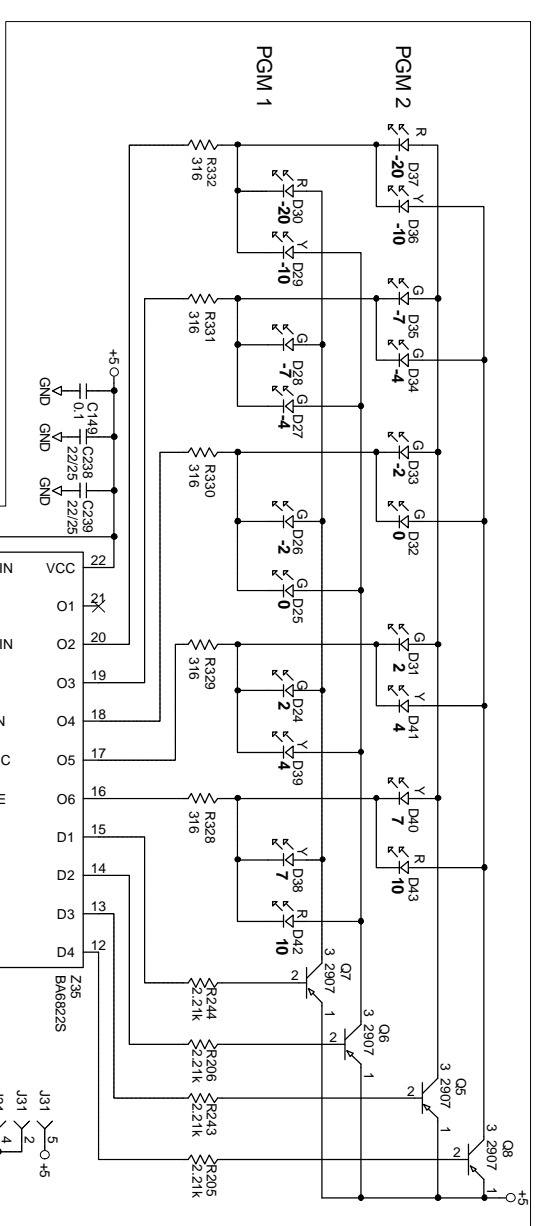
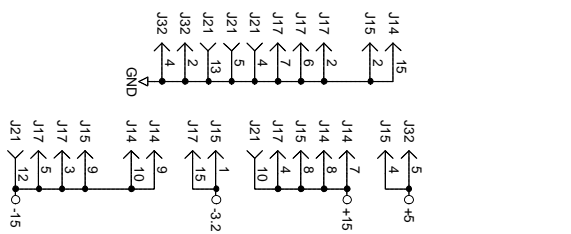
**PANE**  
 10802 47th Avenue West  
 Mukilteo WA 98275-5098

**CH. FDRS / XFDR TTM 52I**

SHEET: 4 of 7  
 103787



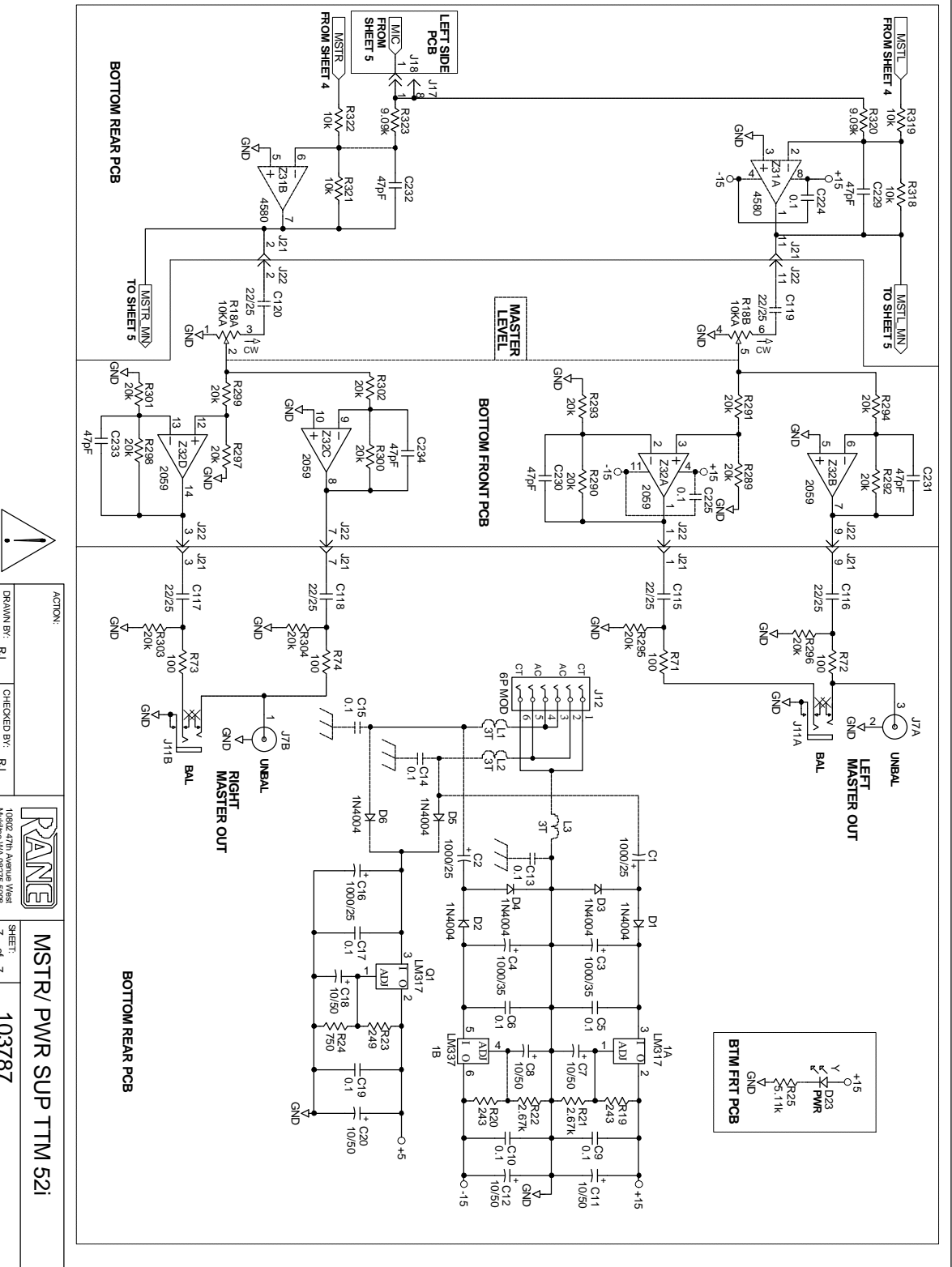




H:\TTM521\03787\6 SCH 23/Mar/2000

ACTION:			METER TTM 521	
DRAWN BY:	RJ		SHEET:	6 of 7
CHECKED BY:	RJ	103787		
		103787		

BOTTOM REAR PCB



ACTION:

DRAWN BY:	RJ
CHECKED BY:	RJ



10802 47th Avenue West  
 Mukilteo WA 98275-5098

**MSTR/ PWR SUP TTM 521**

SHEET: 7 of 7

**103787**