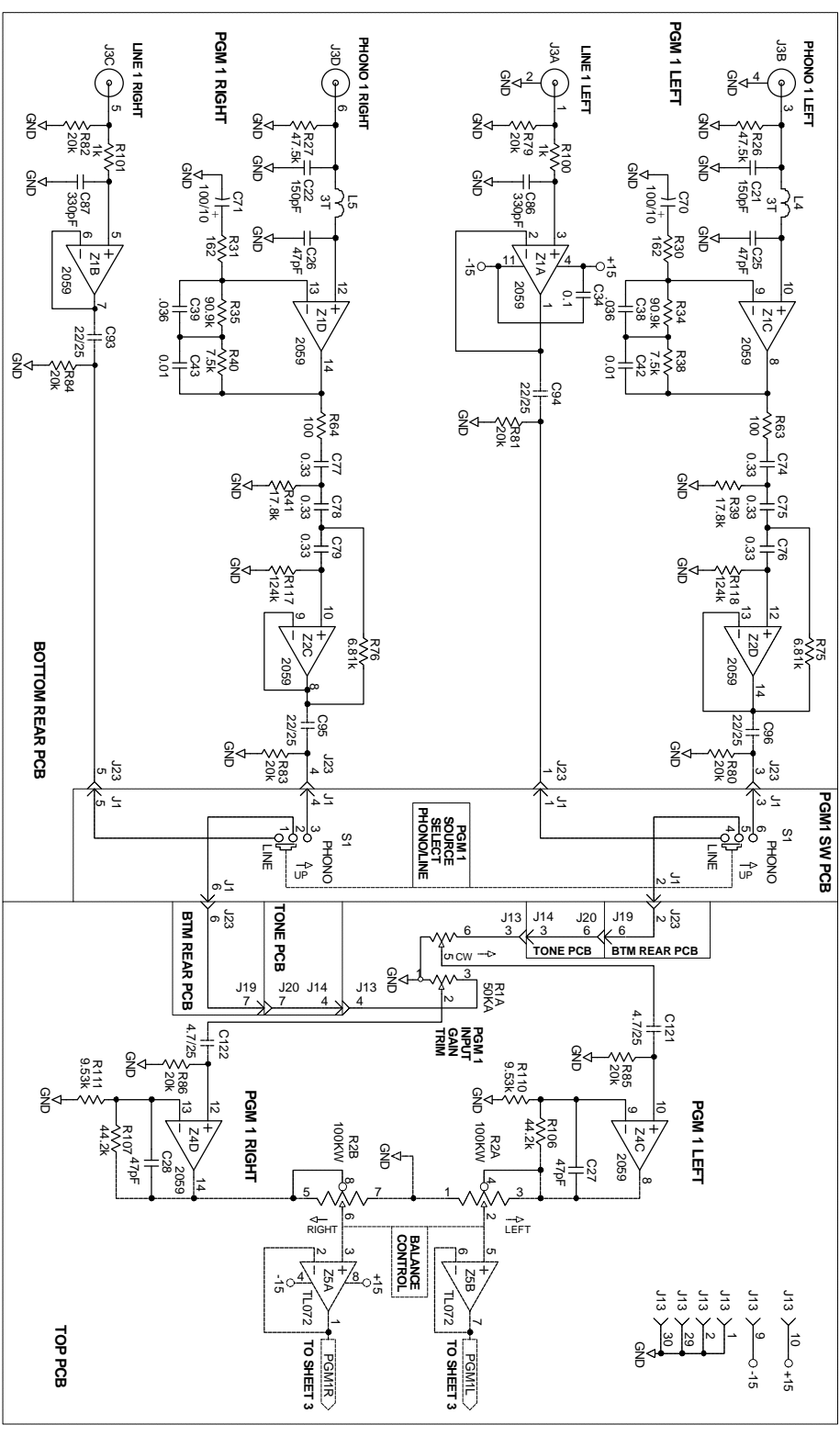


Rane Corp. (425)355-6000
 103774 DES TOP/BTM/SD/SW/TN/MTR TTM 54i
 ACTION: NEW PRODUCT RWJ 12JAN00





U.S. PATENT PENDING

NOTES: (UNLESS OTHERWISE SPECIFIED)
 1. ALL RESISTORS METAL FILM 1/4W 1%.
 2. ALL SWITCHES SHOWN IN THEIR "OUT" OR "OFF" POSITIONS.

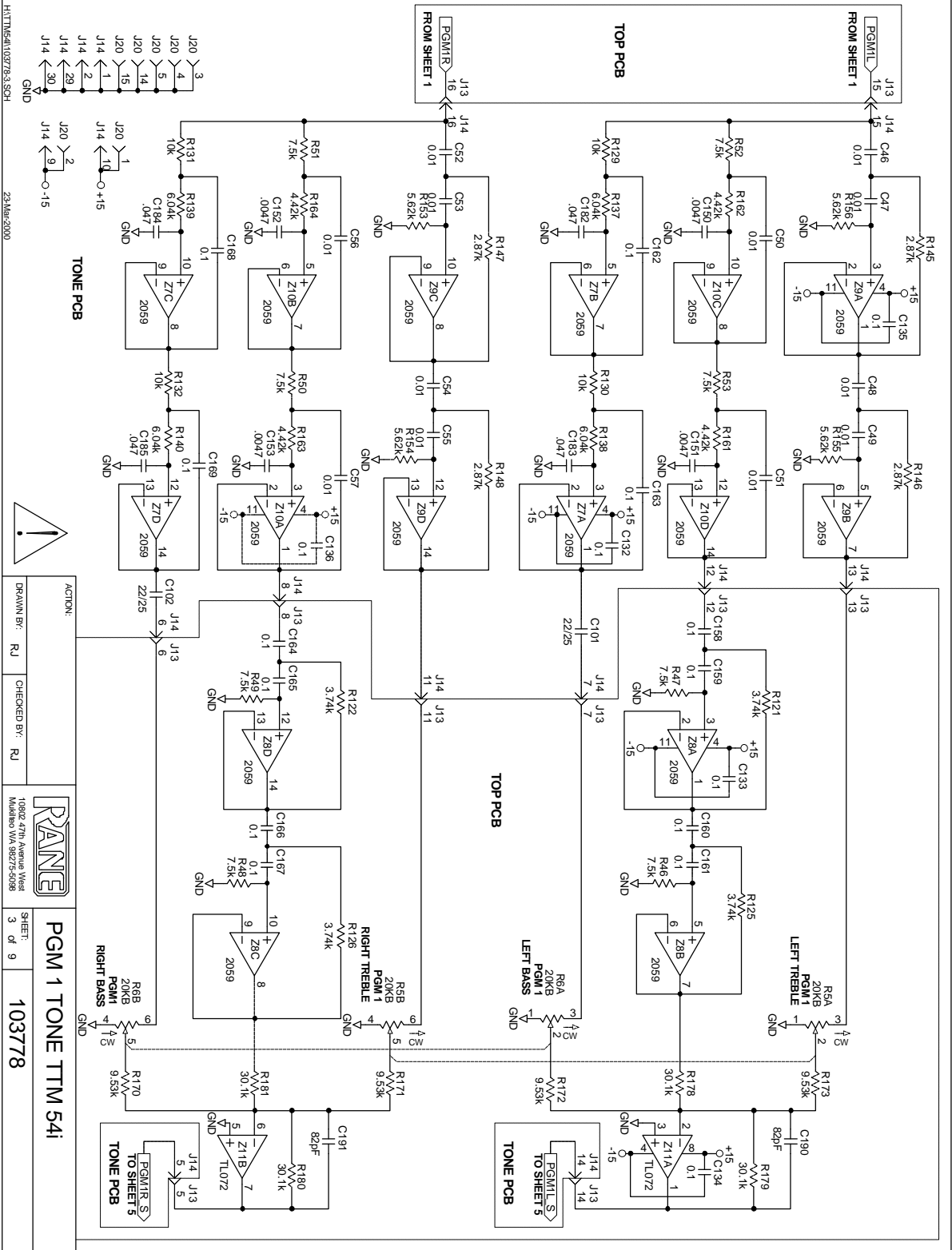
- PGM 2 INPUT 103778-2 SCH
- CH. FADERS / X-FADER 103778-6 SCH
- PGM 1 TONE 103778-3 SCH
- MIC/HEADPHONE 103778-7 SCH
- PGM 2 TONE 103778-4 SCH
- MASTERS/SUPPLY 103778-8 SCH
- EFFECTS LOOP 103778-5 SCH
- METER 103778-9 SCH



ACTION:	
DRAWN BY:	RJ
CHECKED BY:	RJ



SHEET:	1 of 9
PGM 1 INPUT TTM 541	103778



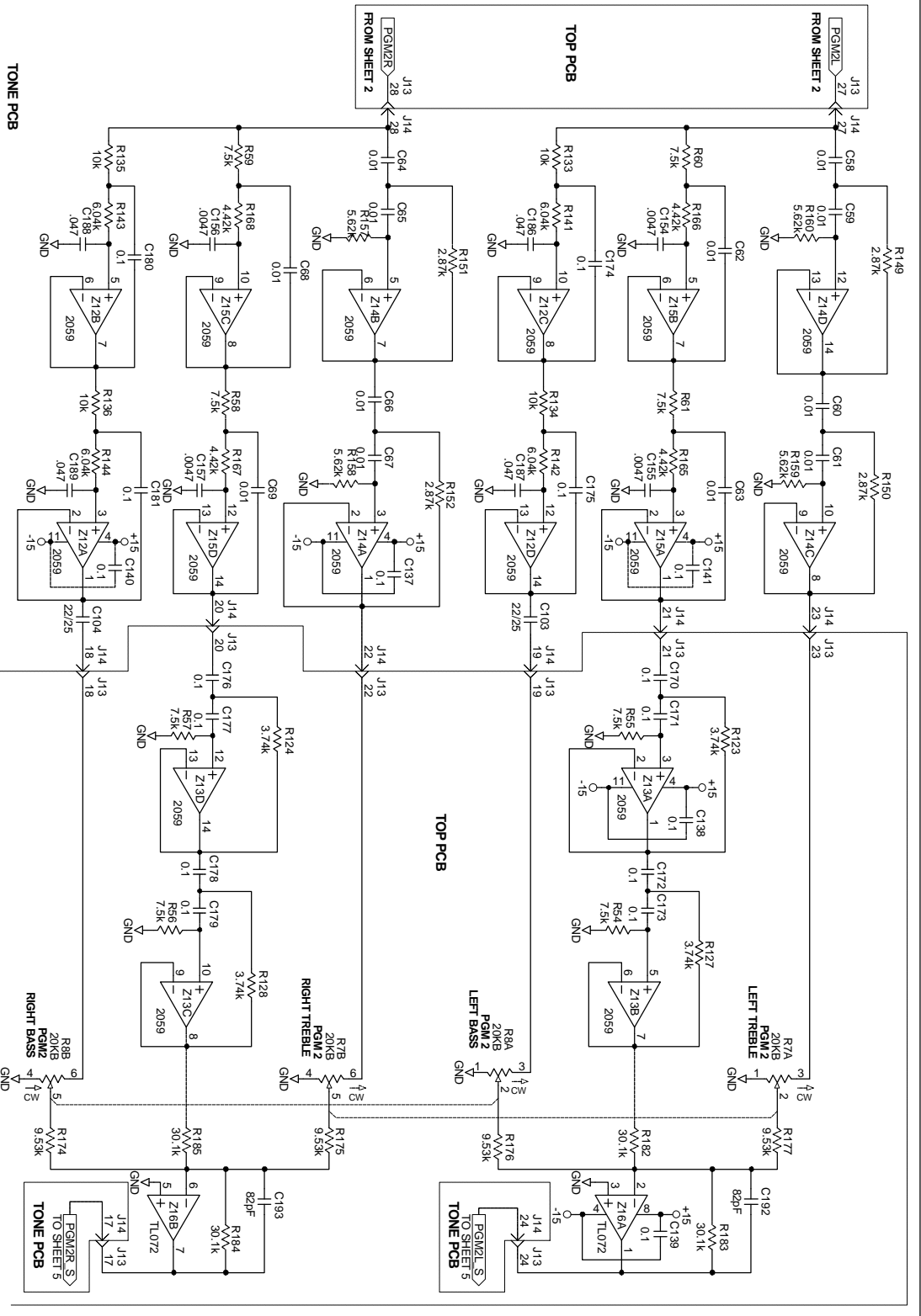
H:\TTM54I\103778.S SCH 23/Mar/2000

ACTION:	
DRAWN BY:	RJ
CHECKED BY:	RJ
PANE	
10802 47th Avenue West Mableton VA 98275-5098	
SHEET:	3 of 9
PGM 1 TONE TTM 54I	
103778	

ACTION:
DRAWN BY: RJ
CHECKED BY: RJ



PGM 2 TONE TTM 541
SHEET: 4 of 9
103778





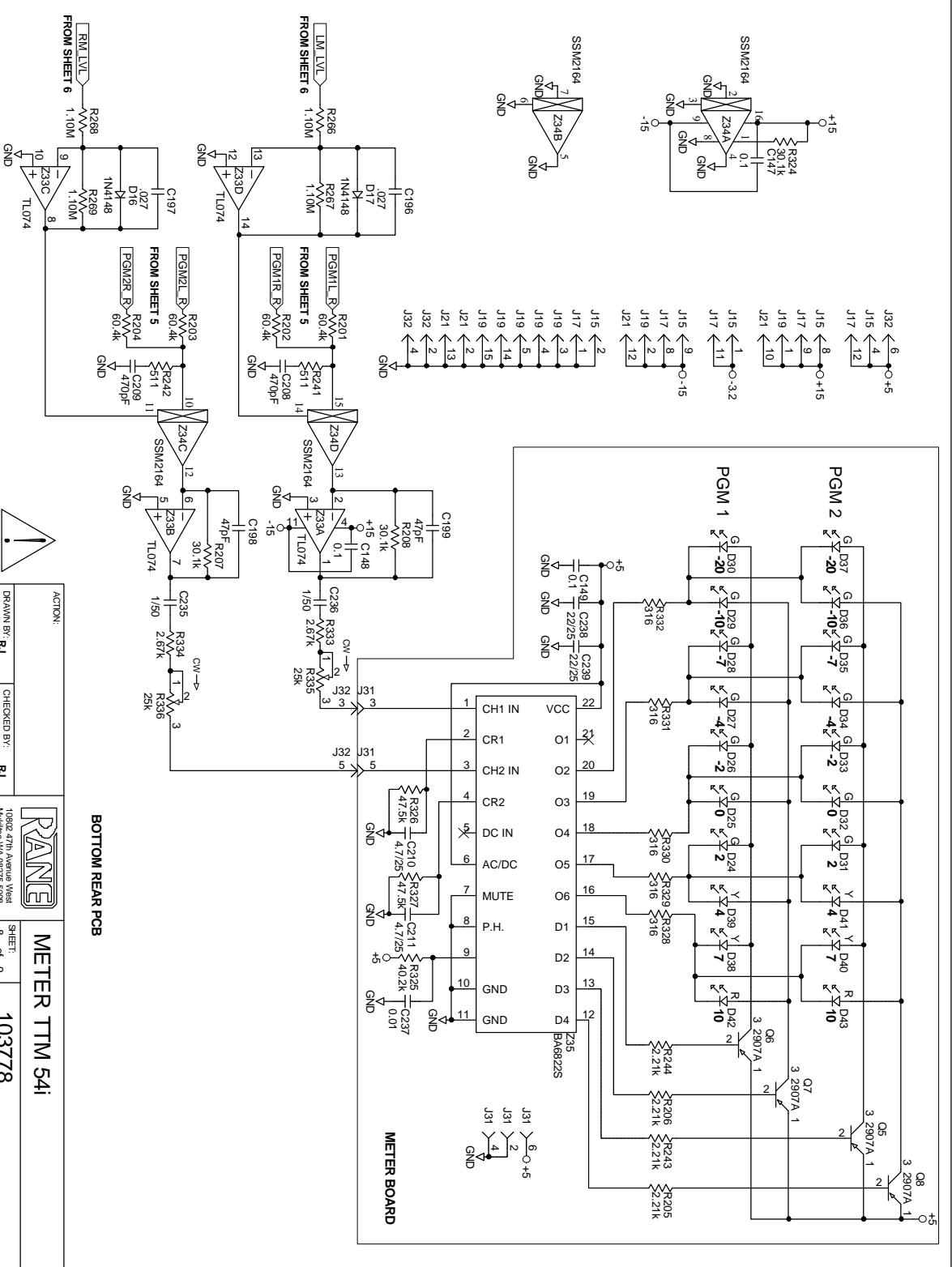
ACTION:
 DRAWN BY: **RJ**
 CHECKED BY: **RJ**



10802 47th Avenue West
 Mukilteo WA 98275-5098

SHEET: 8 of 9
METER TTM 54I
103778

BOTTOM REAR PCB



METER BOARD

