

<p>ACTON</p> <p>DRUMMIP</p> <p>RAJRG8</p>	<p>CREATOR</p> <p>RJ15SEPH9</p>	<p>10802 27th Avenue West</p> <p>Maplewood, NJ 07040</p>	<p>3000</p> <p>3000</p> <p>3000</p>	<p>108138.2.SCH</p> <p>108138.3.SCH</p> <p>108138.4.SCH</p> <p>108138.5.SCH</p>
---	---------------------------------	--	-------------------------------------	---

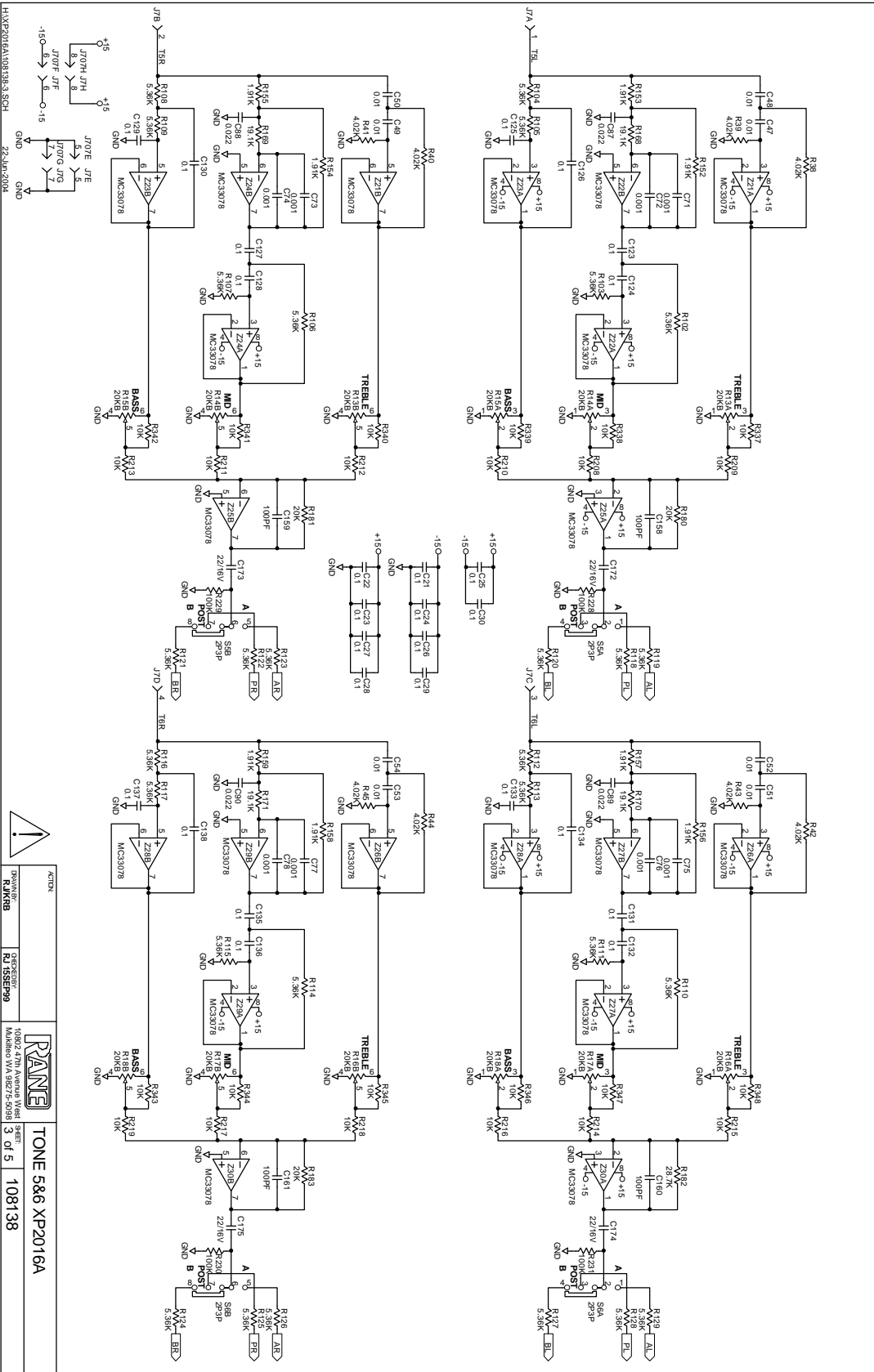
**PANE** TONE 1&2 XP2016A

108138

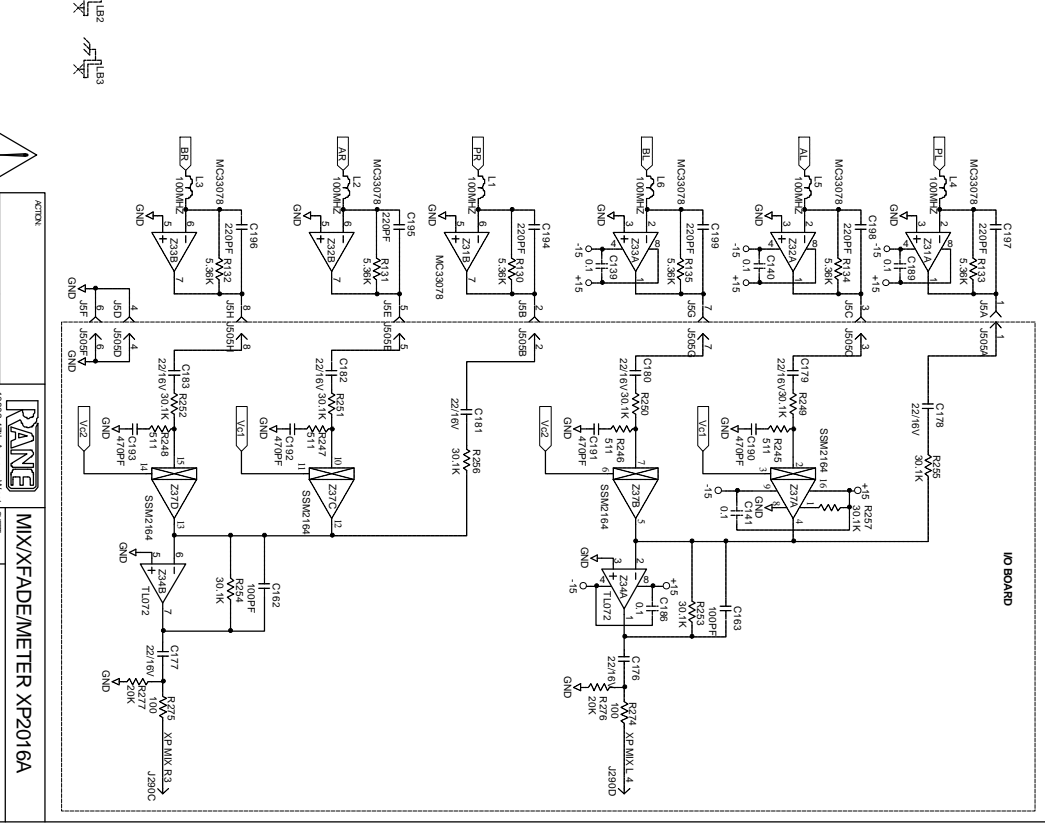
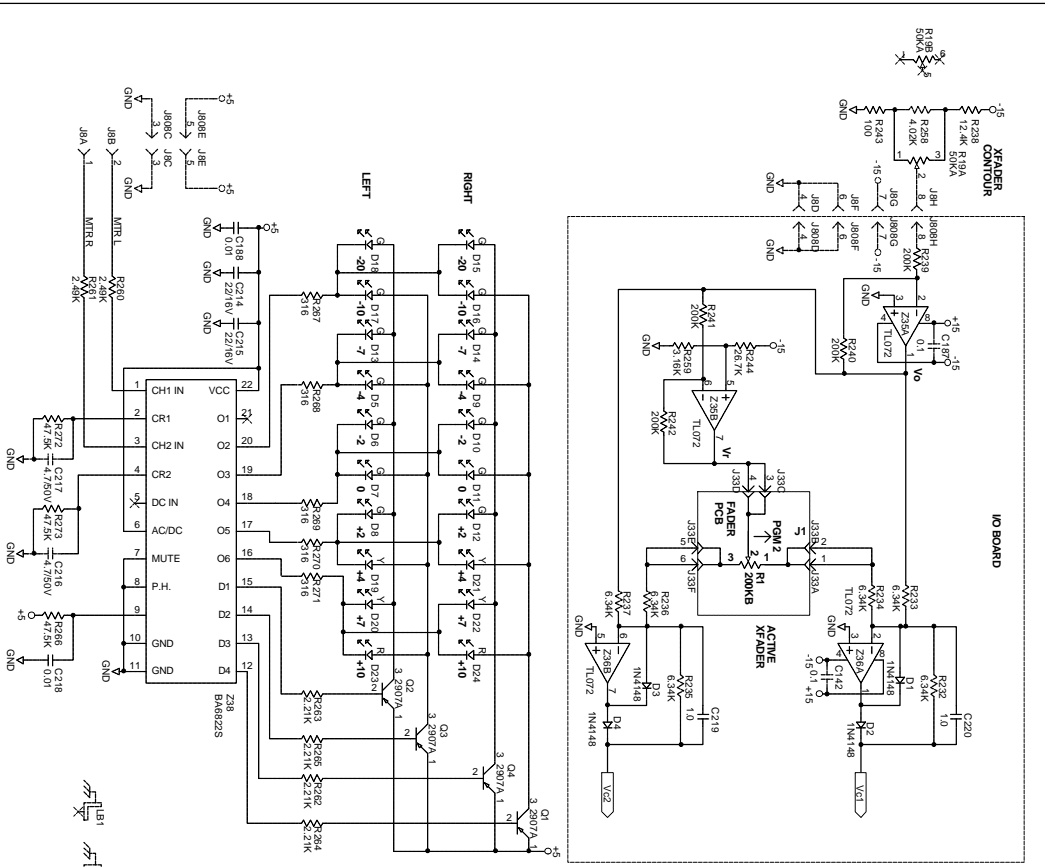
H:\XP2016A\108138-1.SCH

22-Jan-2004

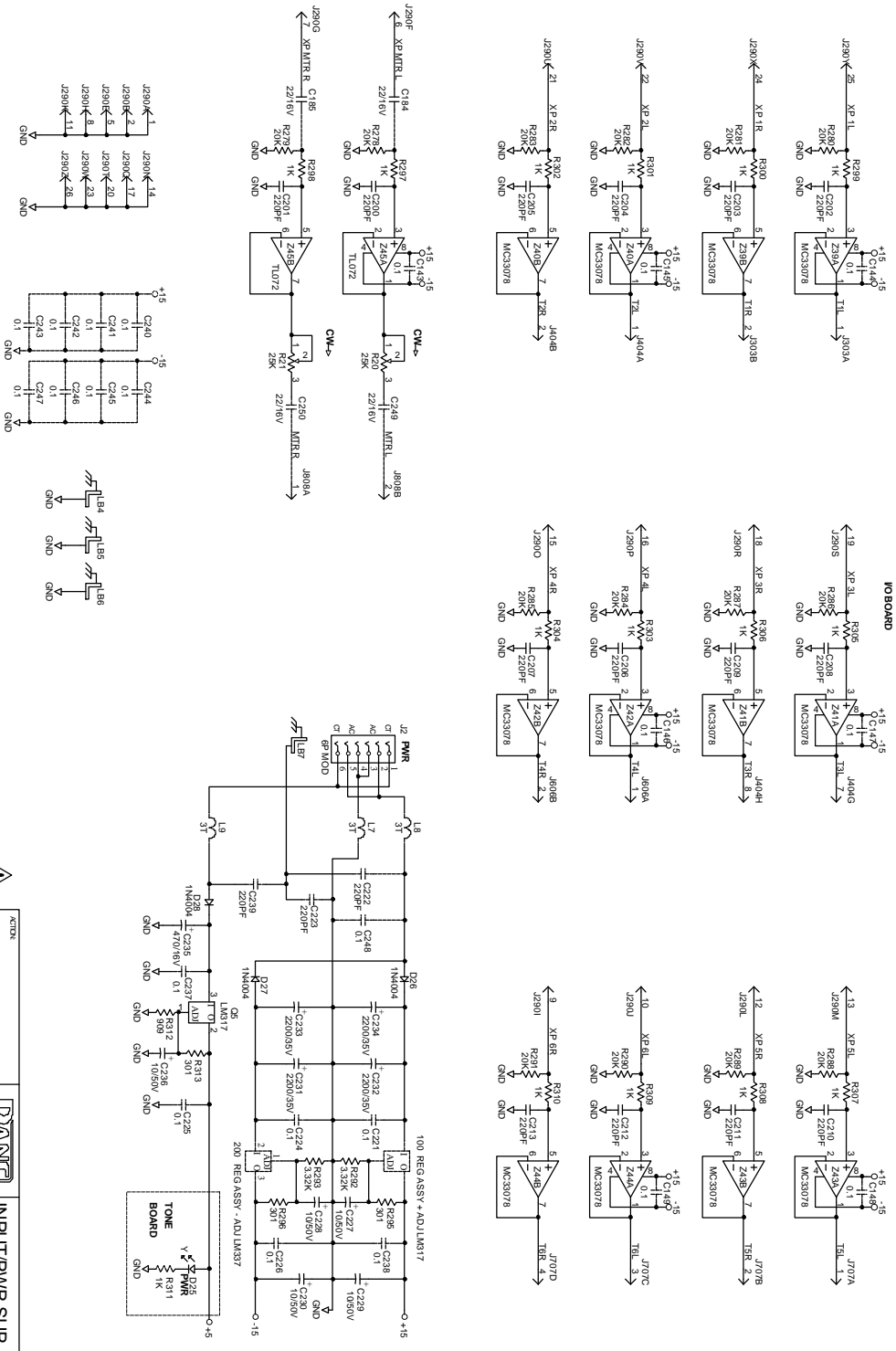




ACTION		
DESIGNED BY	RAJKB	
CHECKED BY	RJSSP99	<b>PANE</b> 10802 47th Avenue West Mukerjee VVA 58275-5881 3 of 5 108138
TONE 5&6 XP2016A		



**ACTN**  
 DRAWING: RJKRB  
 CHECKED BY: RJJSSEPP9  
**PANE**  
 10802 47th Avenue West  
 Markham, ON L3R 9V7  
 4 of 5  
**MIX/FADER/METER XP2016A**  
 108133



H:\XP2016A\108133.SCH 22-Jun-2004



REVISION	DATE	BY	CHKD	APPD
1				
2				
3				
4				
5				
6				
7				
8				
9				
10				
11				
12				
13				
14				
15				
16				
17				
18				
19				
20				
21				
22				
23				
24				
25				
26				
27				
28				
29				
30				
31				
32				
33				
34				
35				
36				
37				
38				
39				
40				
41				
42				
43				
44				
45				
46				
47				
48				
49				
50				
51				
52				
53				
54				
55				
56				
57				
58				
59				
60				
61				
62				
63				
64				
65				
66				
67				
68				
69				
70				
71				
72				
73				
74				
75				
76				
77				
78				
79				
80				
81				
82				
83				
84				
85				
86				
87				
88				
89				
90				
91				
92				
93				
94				
95				
96				
97				
98				
99				
100				

INPUT/PWR SUP XP2016A  
 108133

1082 47th Avenue West  
 Hudson, WA 98275-5898  
 5 of 5