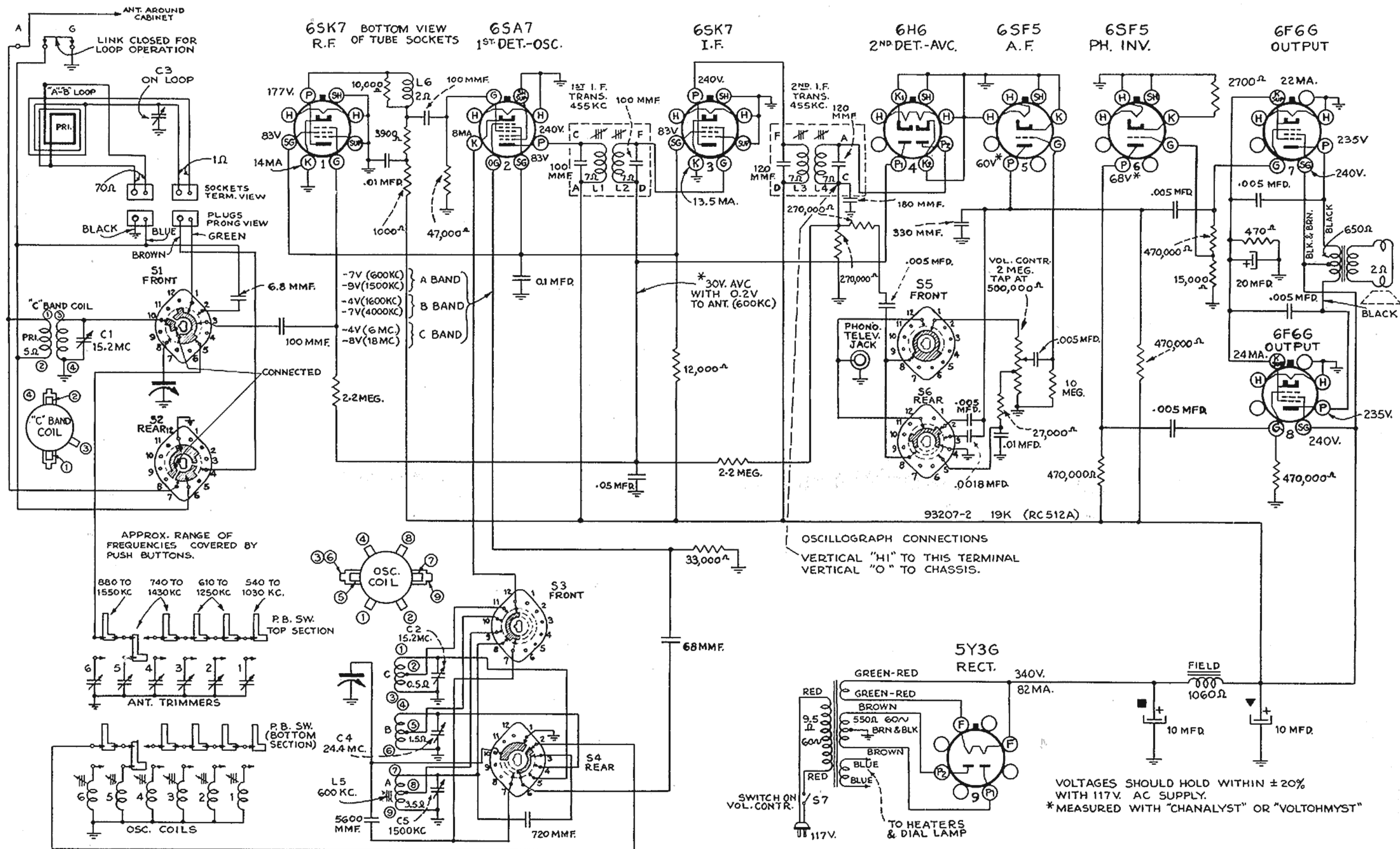


$1.6 \times$ (ANT. TO GRID) (600KC) — $1.5 \times$ (AVC WORKING) (600KC) / $7 \times$ (AVC BUS GROUND) — CONVERSION GAIN (600 TO 455 KC) $40 \times$ — $0.8 \times$ (455 KC) — $100 \times$ (AVC WORKING) (455KC) / $200 \times$ (AVC BUS GND) — $0.8 \times$ 455 KC — $50 \times$ 400 \sim — $35 \times$ 400 \sim — $17 \times$ 400 \sim — APPROX. GAIN DATA USING RCA-RIDER "CHANALYST".



Schematic Circuit Diagram