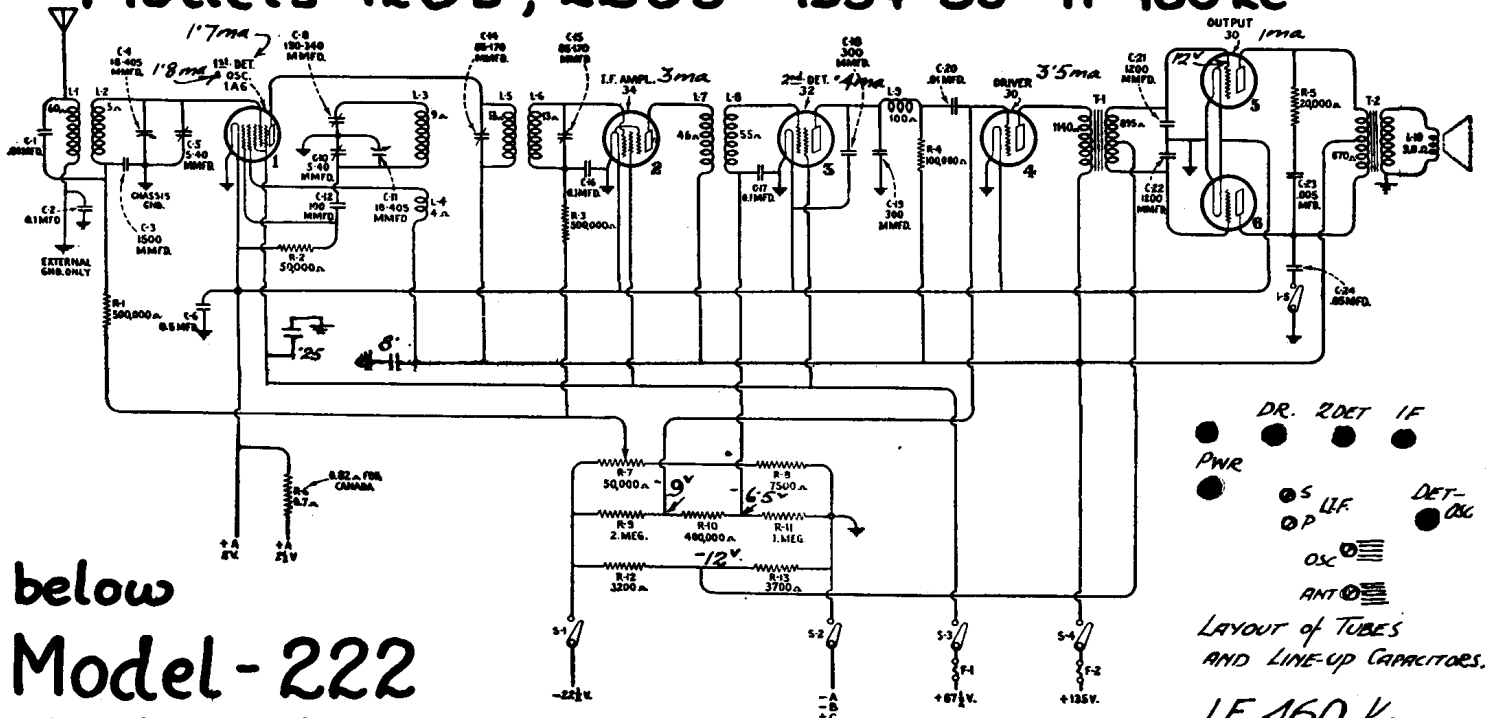


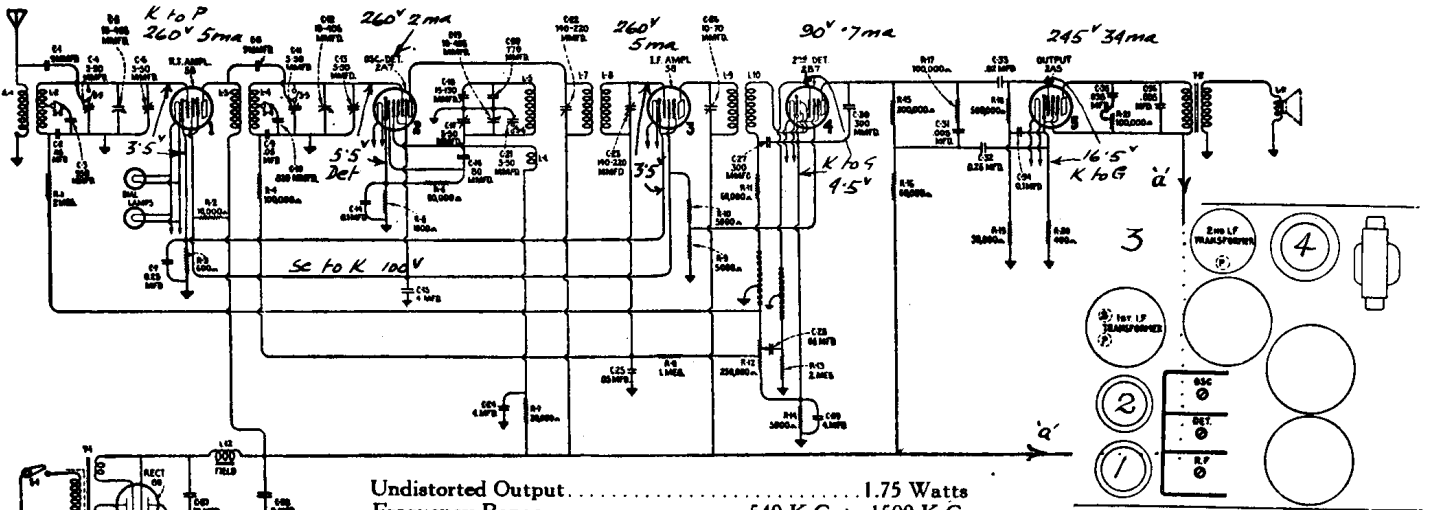
Models 126B, 223B 1934-35 IF 460 Kc



below

Model-222

1934-35. IF 175 Kc



Undistorted Output 1.75 Watts
 Frequency Range 540 K.C. to 1500 K.C.
 and 1600 K.C. to 3500 K.C.

Service work in conjunction with this receiver will be similar to that of other Superheterodyne receivers incorporating a similar type automatic volume control.

Line-up Adjustments

I. F. Tuning Adjustments—Two transformers comprising three tuned circuits (the secondary of the second transformer is untuned) are used in the intermediate amplifier. These are tuned to 175 K.C. and the adjustment screws are accessible from beneath the chassis as shown in Figure C.

R. F. and Oscillator Adjustments—The three gang capacitor screws are located on the main tuning capacitor, accessible at the top of the chassis. The high frequency capacitor screws are located on the Range Switch.

- Connect the output of the oscillator to the antenna and ground lead of the receiver. Check the dial at the extreme maximum position of the tuning capacitor. The indicator pointer should be set on the white inner radial line located at approximately 530 K.C. Then set the dial at 140, the oscillator at 1400 K.C. and connect the output meter across the cone coil. Adjust the oscillator output so that a slight deflection is obtained when the receiver volume control is at maximum.
- After making the 1400 K.C. adjustments, shift the oscillator to 600 K.C. and tune in the signal. Adjust the 600 K.C. trimmer, accessible from the top of the chassis, for maximum output while rocking the gang-capacitor back and forth. Then again check the adjustment described in (b).
- With the Range Switch at the counter-clockwise position, adjust the three tuning condenser line-up capacitors until maximum deflection is obtained in the output meter. Then shift the oscillator to 2440 K.C., the Range Switch to the clockwise position and the dial to 244. The three line-up capacitors located on the Range Switch and accessible from the bottom of the chassis should then be adjusted for maximum output.

When making both the I. F. and R. F. adjustments, the important point to remember is that the receiver volume control must be at its maximum position and the minimum input signal necessary from the oscillator must be used.

DATA SHEET

PRINTED IN CANADA

—COURTESY

VICTOR-21

TALKING MACHINE CO. LTD.