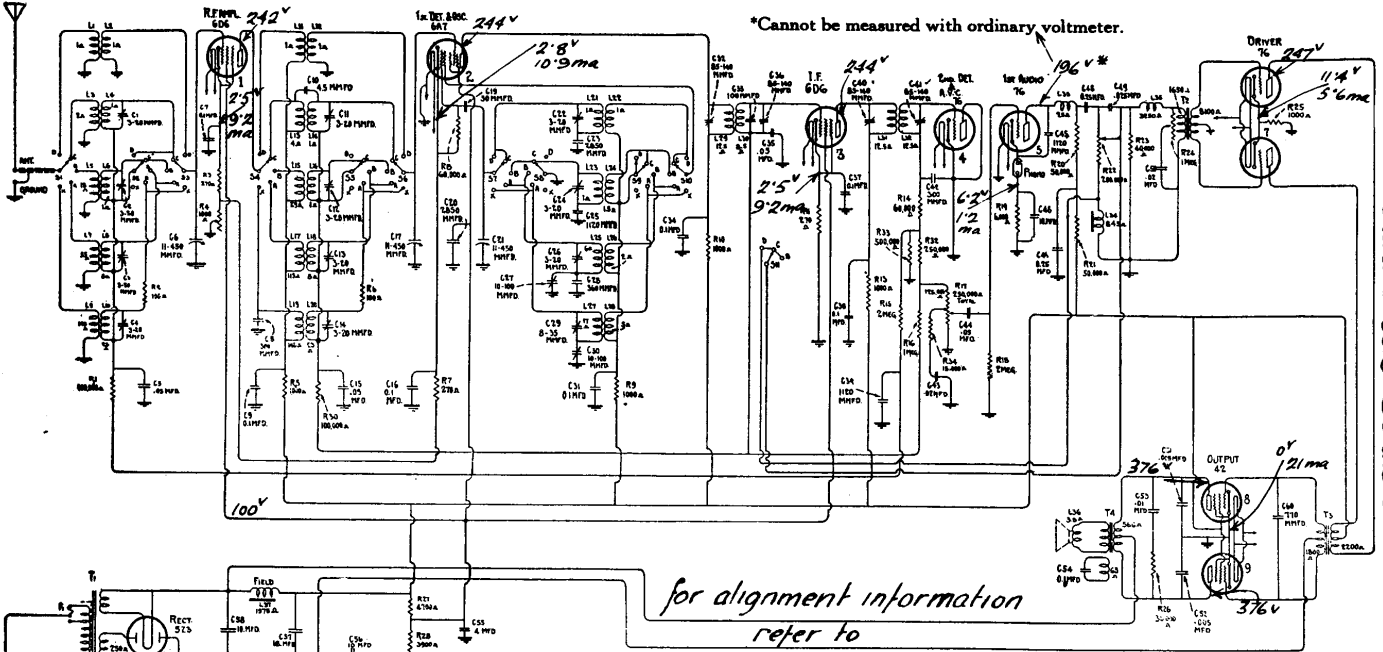


# DATA SHEET

PRINTED IN CANADA

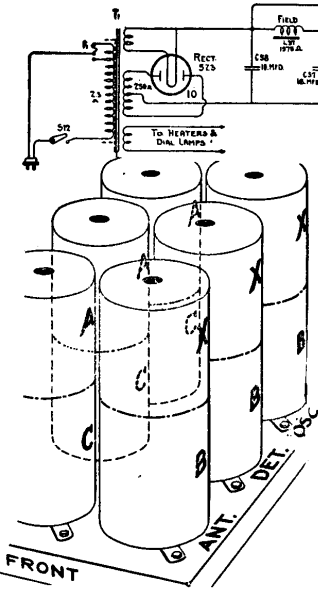
# QUARTZ VICTOR-28

TRANSFORMER COMPANY CO. LTD.

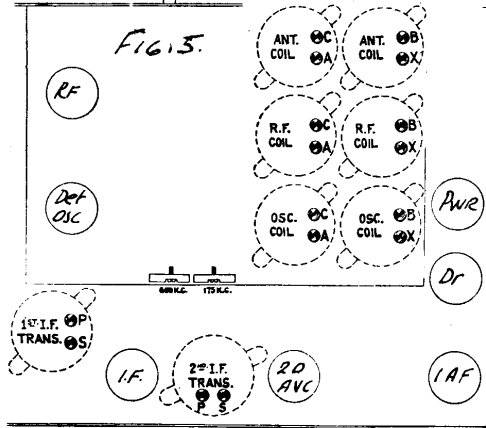


also see Data Sheets 30 a, b, c.

for alignment information refer to Data Sheets 20-a, b, c.



### -Location of Trimmer Capacitors



### R. F. OSCILLATOR AND FIRST DETECTOR ADJUSTMENTS

Four R. F., oscillator and first detector adjustments are required in bands "A" and "X". Three are required in bands "B" and "C." None are required in band "D."

#### Band "X"

- (a) Tune the external oscillator to 410 KC, set the pointer at 410 KC and adjust the oscillator, detector and R. F. trimmers for maximum output.
- (b) Shift the external oscillator to 175 KC. Tune in the 175 KC signal irrespective of scale calibration and adjust the series trimmer marked 175 KC on Figure 5, for maximum output, at the same time rocking the variable tuning capacitor. Then readjust at 410 KC as described in (a).