



RCA VICTOR



THE STRATO-WORLD

Model 3-BX-671 Smooth Tan Leather
Model 3-BX-672 Alligator Grained Leather

AC-DC-Battery 7 Band Portable Receiver Models 3-BX-671, 3-BX-672

Chassis No. RC-1125

SERVICE DATA

— 1953 No. 6 —

PREPARED BY RCA SERVICE CO., INC.

FOR

RADIO CORPORATION OF AMERICA
RCA VICTOR DIVISION

CAMDEN, N. J., U. S. A.

Specifications

Tuning Ranges

Standard Broadcast "A" Band	540-1600 kc
"B" Band	2.0-4.0 mc
"C" Band	4.0-8.0 mc
31 Meter Spread Band	9.45- 9.85 mc
25 Meter Spread Band	11.55-12.05 mc
19 Meter Spread Band	14.90-15.55 mc
16 Meter Spread Band	17.50-18.20 mc

Intermediate Frequency 455 kc

Power Supply Rating

115 volts, d.c., or 25 to 60 cycles a.c. 20 watts

or

Battery Operation using RCA VS047 Battery

Battery voltage "A" 9 volts, "B" 90 volts

Battery current "A" 56 ma., "B" 14.5 ma.

or

230 volts d.c., or 25 to 60 cycles a.c. using
RK-186 Converter Accessory

Tube Complement

(1) RCA 1U4	R.F. Amplifier
(2) RCA 1L6	Converter
(3) RCA 1U4	I.F. Amplifier
(4) RCA 1U5	Det.-AVC-1st A.F.
(5) RCA 3V4	Output
RCA Stock No. 78101	Selenium Rectifier

Loudspeaker

Size and Type 5¼ in. P.M.

Voice coil impedance 3.2 ohms at 400 cycles

Power Output

Undistorted 0.22 watt

Maximum 0.42 watt

Tuning Drive Ratio 11½:1

Weight (Approximate)

Less Battery 16 lbs.

With Battery (RCA VS047) 23 lbs.

Dimensions (Overall)

Height 11½ in. Width 17½ in. Depth 8 in.

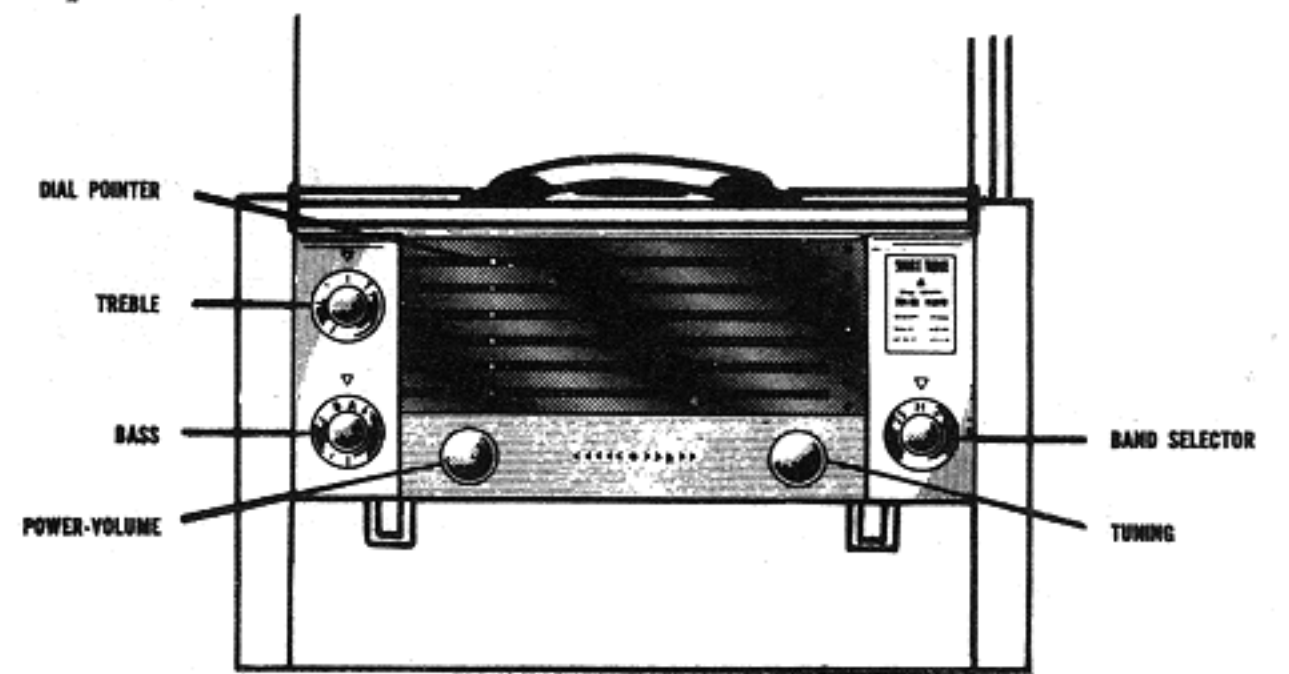
Operating Instructions

Rotate POWER-VOLUME knob to right until a click is heard, and advance for about half a turn. Rotate BAND SELECTOR knob until desired band marking on knob is directly beneath the red triangle. A white indicator will appear at right of desired band on dial. To obtain reception on any one of the six Short Wave bands, the telescopic rod antenna must be used. See instructions under "General Information." Rotate TUNING knob until dial pointed indicates desired frequency marking on the desired band. Rotate TREBLE and BASS tone control knobs as desired. Treble tone increases as TREBLE knob is rotated clockwise. BASS tone increases as BASS knob is rotated counter-clockwise.

Headphones—A "PHONES" receptacle, for connection of headphones, is located on the rear of the chassis. Should individual listening be desired, any standard headphone set with standard plug may be inserted, automatically disconnecting the speaker.

Ground Terminal—A terminal for ground connection is located on the rear of the chassis. To improve reception in

weak-signal areas, connect a ground wire from this terminal ("GND") to a cold-water pipe, or other suitable ground. "GND" connection is not necessary when operating on power line.



Operating Controls

Circuit Description

This seven band portable instrument is a sensitive three-way receiver designed to operate from an AC or DC power source, or from a self-contained battery pack. With the addition of an RK-186 converter, the receiver may be operated on 210-250 volts AC or DC. A chassis jack is provided for this converter.

The receiver incorporates a 7 band tuner covering the broadcast band "A band"; two short wave bands, 2-4 mc. and 4-8 mc. "B and C bands"; also four short wave spread bands, 31, 25, 19, and 16 meters. The superheterodyne circuit is used with a tuned R.F. stage preceding the pentagrid converter on all bands; one I.F. stage; a combined AVC, detector, and A.F. stage; and a power amplifier stage. A selenium rectifier is used.

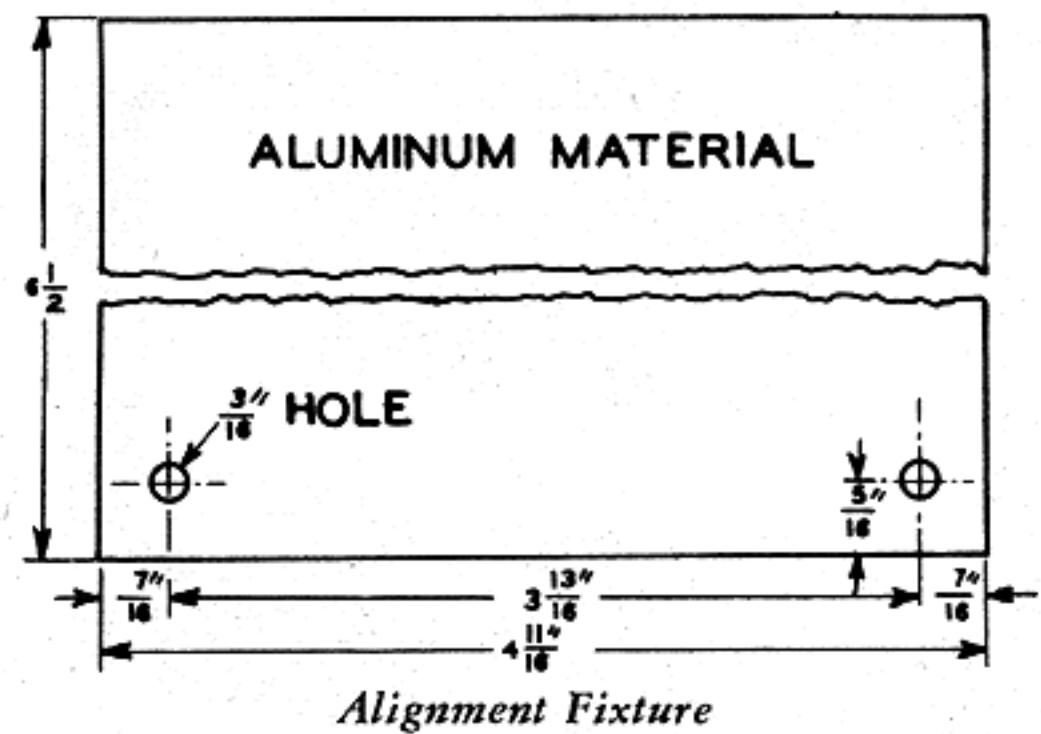
R.F. tuning is done by means of a ganged six section variable capacitor. Three large sections are used for the A, B, and C bands with series tracking capacitors. Also, three small 3 plate sections for electrical band spread are used on the four spread bands. The tuner, including the function switch, coil and trimmer assembly, R.F. and converter tubes and gang capacitor, is a completely detachable unit featuring high efficiency with small physical size. The special design permits access to the coil and trimmer adjustments from the rear.

A headphone jack is located on the chassis rear apron for individual listening. This jack automatically disconnects the speaker when the headphone plug is inserted. The slide rule type dial includes 7 separate scales on a slotted escutcheon to provide speaker openings. Continuously variable treble and bass tone controls are provided. This receiver features 3 separate antenna systems. A large flat loop built within the hinged lid includes a primary for external antenna connection, when desired. A Ferrite rod antenna with a long cable and provided with suction cups to permit mounting on a window or wall for improved pickup in shielded areas is supplied. The preceding antennas are used only on the standard broadcast band. A telescoping vertical rod antenna is provided for use on all short wave bands.

All tubes and the battery may be serviced by opening the hinged back cover. A terminal is provided on the back apron of the cover for an external ground connection, if desired. A line voltage compensator switch is mounted on the chassis rear apron under a caution label of instructions. The switch is to be used only in areas of sub-standard line voltage.

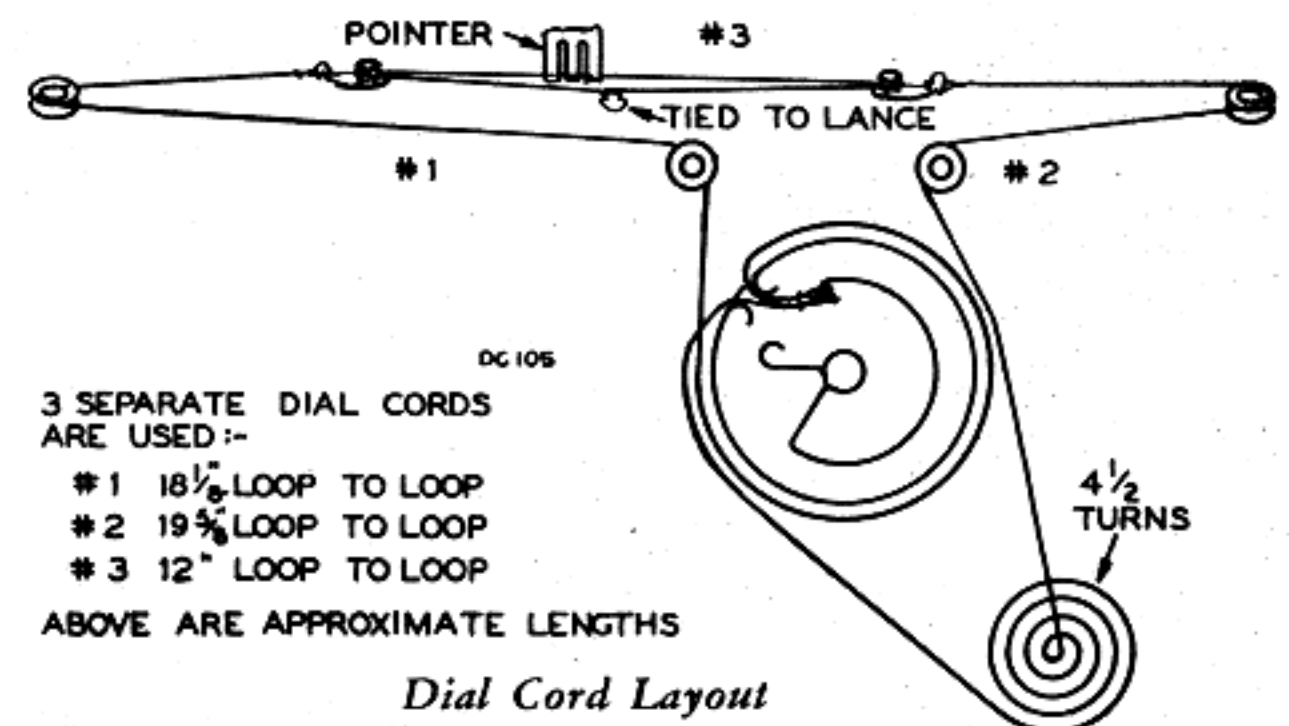
Alignment Fixture

To obtain maximum sensitivity when chassis is reinserted in case after alignment, the alignment fixture shown below should be secured to the tuner side of the chassis during alignment to simulate the effect of the case. The sheet metal clips and hardware on the dust cover base may temporarily be used to hold the fixture to the chassis.



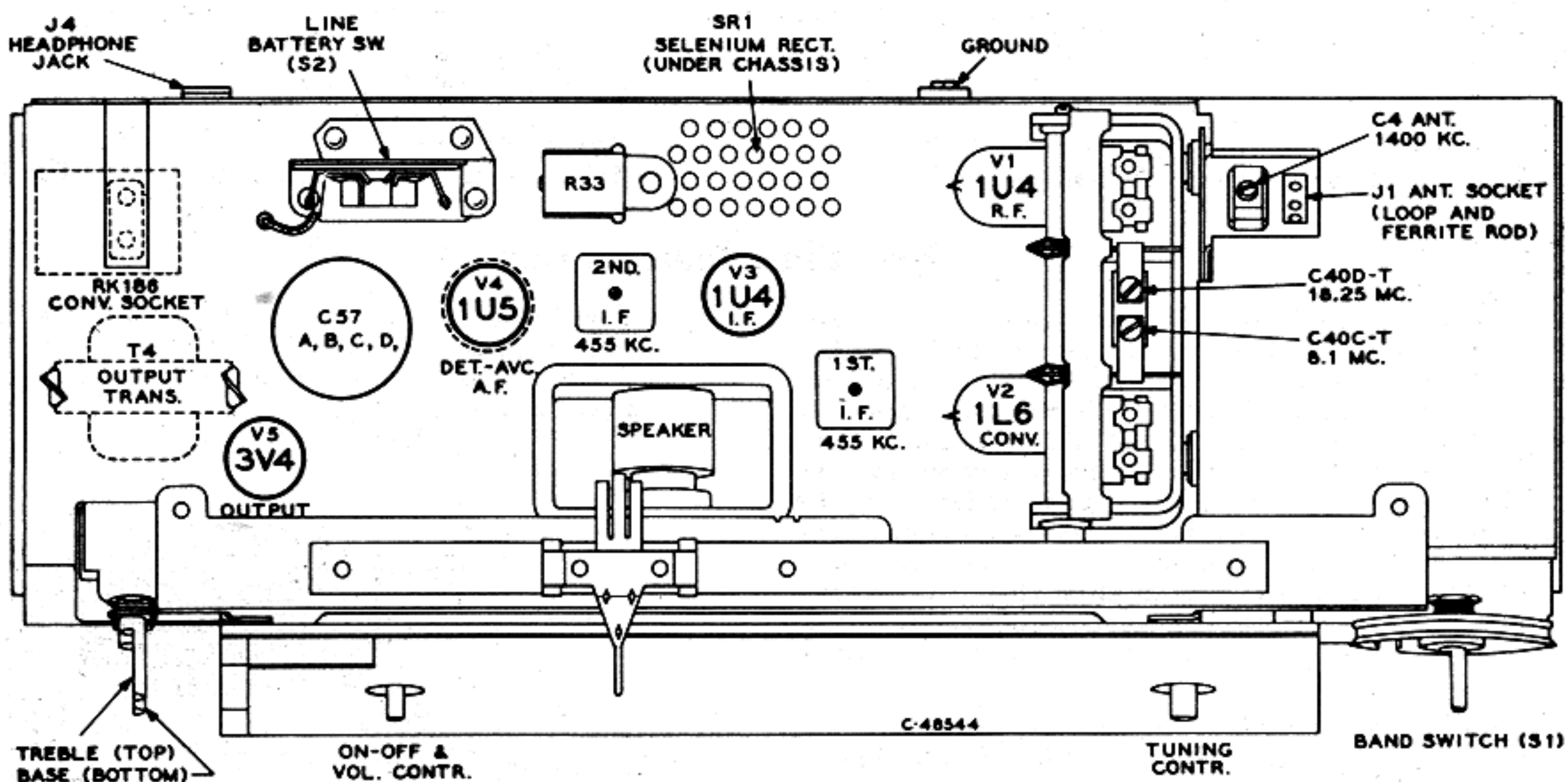
CHASSIS REMOVAL

1. Turn tuning knob until gang is fully closed.
2. Open cabinet back, pull out battery, and disconnect battery plug.
3. Remove pull-off type volume, tuning, band selector, and tone control knobs.
4. Remove the four machine screws holding the chassis to the case.
5. Disconnect antenna plugs.
6. Pull chassis out and simultaneously slightly downward, to enable dial pointer mechanism to clear top back edge of case.



3 SEPARATE DIAL CORDS ARE USED :-
 #1 18 1/2" LOOP TO LOOP
 #2 19 3/8" LOOP TO LOOP
 #3 12" LOOP TO LOOP
 ABOVE ARE APPROXIMATE LENGTHS

Dial Cord Layout



Chassis Top View

Alignment Procedure

Output Meter Alignment—If this method is used, connect the meter across the voice coil and turn the receiver volume control to maximum.

Test Oscillator—For all alignment operations, connect the low side of the test oscillator to the receiver chassis and keep the oscillator output as low as possible to avoid AVC action.

Close gang and set dial pointer to mark on dial plate. Turn volume and treble tone controls to maximum clockwise position. Turn bass tone control to maximum counterclockwise position.					
STEP	CONNECT HIGH SIDE OF SIG. GEN. TO—	SIGNAL GEN. OUTPUT	DIAL POINTER SETTING	ADJUST FOR MAXIMUM OUTPUT	
1.	Pin #6 of 1L6 Conv. thru 0.01 mfd.	455 kc	"A" Band Quiet point near 1600 kc	T3 top and bottom cores	
2.				T2 top and bottom cores	
3.	Install bottom cover. Secure aluminum alignment fixture in place. Connect 24 mmfd. in series with 22 ohms between sig. generator lead and C39.				
4.	C39, term. 7 on S1D thru dummy load indicated	18.25 mc	16M Band Right hand stop	*C40D-T top of gang	
5.		17.5 mc	16M Band Left hand stop	T11 Osc.	
6.		17.8 mc	16M Band 17.8 mc Signal	Rock gang, — Peak L11 R.F. + L5 Ant.	
7.		14.9 mc	19M Band Left hand stop	T10 Osc.	
8.		15.2 mc	19M Band 15.2 mc Signal	Rock gang, — Peak L12 R.F. + L6 Ant.	
9.		11.55 mc	25M Band Left hand stop	T9 Osc.	
10.		11.8 mc	25M Band 11.8 mc Signal	Rock gang, — Peak L13 R.F. + L7 Ant.	
11.		9.45 mc	31M Band Left hand stop	T8 Osc.	
12.		9.6 mc	31M Band 9.6 mc Signal	Rock gang, — Peak L14 R.F. + L8 Ant.	
13.		8.1 mc	"C" Band Right hand stop	*C40C-T top of gang. C16 R.F. C7 Ant.	
14.		3.9 mc	"C" Band Left hand stop	T7 Osc. L9 R.F. L4 Ant.	
15.		Repeat steps 13 and 14 until maximum gain is obtained.			
16.		4.05 mc	"B" Band Right hand stop	C32 Osc. C18 R.F. C5 Ant.	
17.		1.97 mc	"B" Band Left hand stop	T6 Osc. L10 R.F. L3 Ant.	
18.		Repeat steps 16 and 17 until maximum gain is obtained. Remove alignment fixture and install chassis in cabinet. Plug in loop cable.			
19.	Short length of wire near receiver	1620 kc	"A" Band Right hand stop	C31 Osc.	
20.		1400 kc	"A" Band 1400 kc Signal	C20 R.F. C4 Ant.	
21.		600 kc	"A" Band 600 kc Signal	Rock gang, — Peak T5 Osc. trans., + T1 R.F.	
22.		Repeat steps 19, 20 and 21 until maximum gain is obtained. Exchange loop antenna plug with external Ferrite Rod antenna plug. Extend cable to maximum.			
23.		1400 kc	"A" Band 1400 kc Signal	C43 Ferrite Rod Ant.	

*The tuning range and dial calibration of the succeeding bands depend upon the accuracy of this adjustment. Avoid aligning on image. The local oscillator is 455 kc higher in frequency than the RF on all bands.

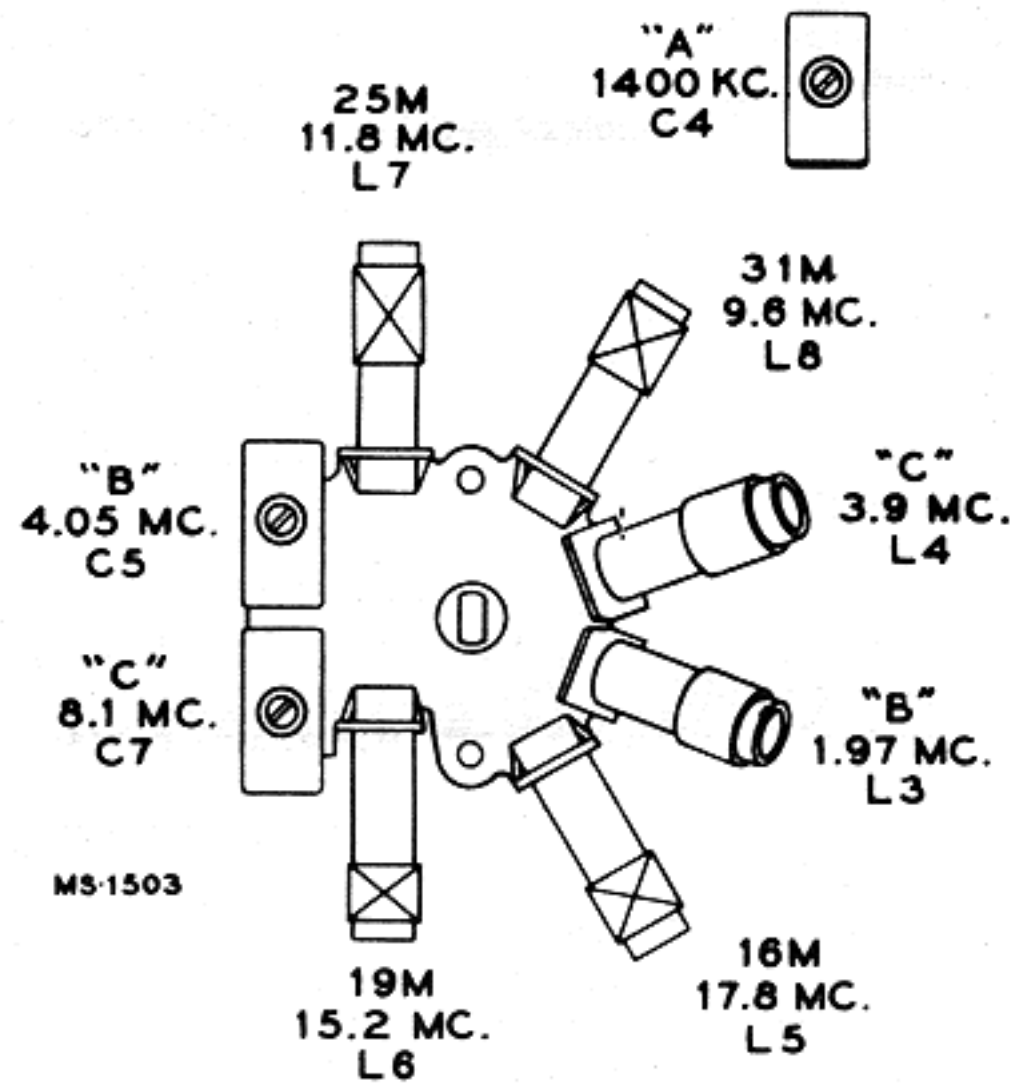
Battery operation of the receiver is preferable during alignment; on AC operation, an isolation transformer (117v./117v.) may be necessary for the receiver if the test oscillator is also AC operated.

Critical Lead Dress

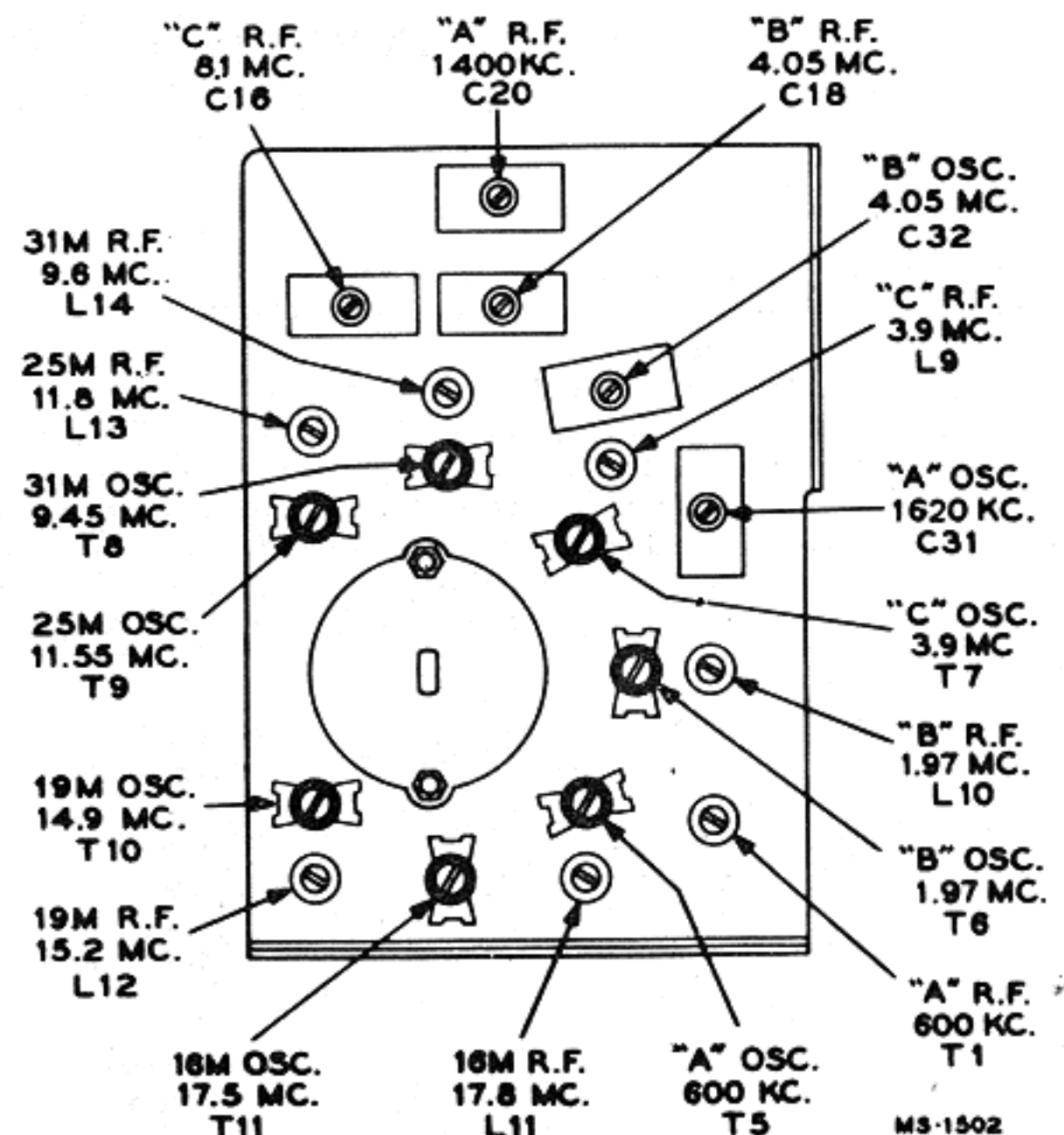
1. Dress all filament leads next to chassis.
2. Use short pigtail leads on all by-pass and coupling capacitors associated with R.F. circuits.
3. Dress gang condenser leads direct and short as possible to switch without strain.
4. Connect neutralizing capacitor C50, 0.51 MMFD across converter socket with short leads and away from other components.
5. Dress power line compensator resistor to clear surrounding components and bottom cover.
6. Dress coil pigtail leads away from each other and from coils.
7. Dress blue converter plate lead down to base.
8. Dress volume control leads down to base.

CAUTION —

Do not remove any tubes from the chassis with the set operating and the plug connected to the power line. Damage to tubes may result.

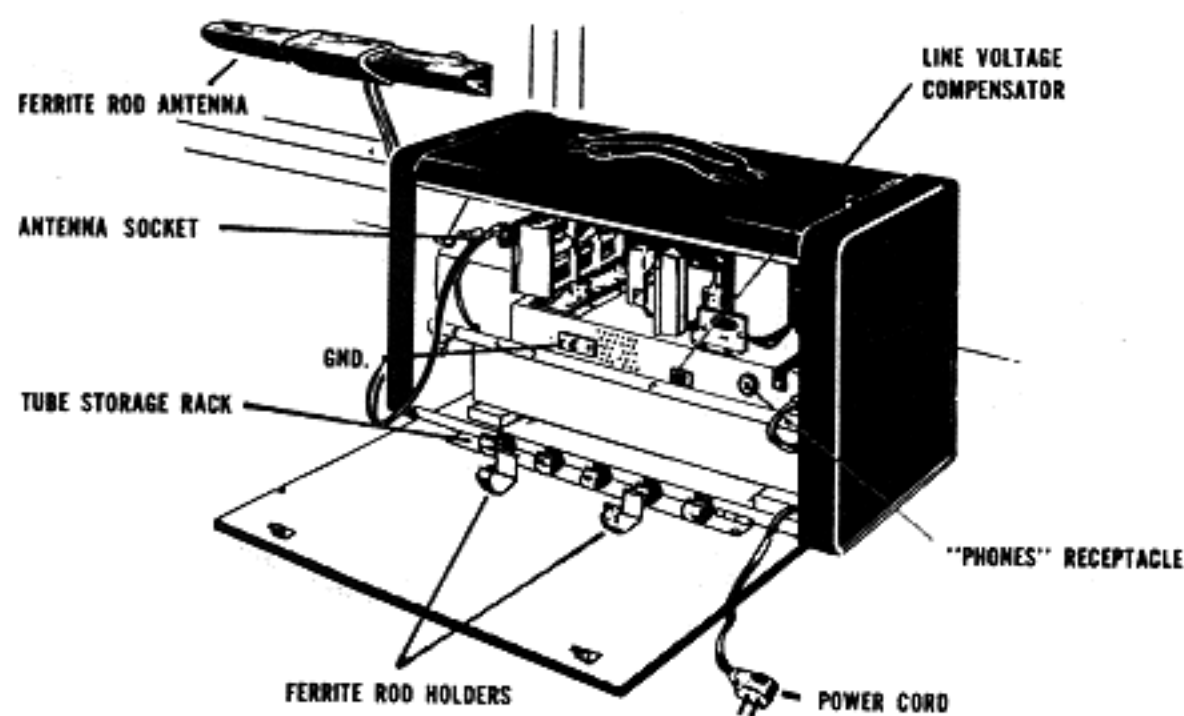


Tuner Adjustment Locations—Antenna



Tuner Adjustment Locations—Oscillator and R.F.

General Information



Rear View

AC-DC OPERATION

For 105 to 125 volts, 25-60 cycles AC or 105 to 125 volts DC operation—Be sure that the power line used has the correct voltage and frequency before turning on the receiver. Open case back, remove power cord plug from chassis socket, and insert in outlet. Feed power cord through the notch on the lower right side of the case back.

RK-186 VOLTAGE CONVERTER

For 210 to 250 volts, 25-60 cycles AC or 210 to 250 volts DC operation—Pull open case back and remove L-shaped metal bracket held by single self-tapping screw located between headphone jack and power cord. Insert RK-186 Converter in socket provided with metal tab facing to the rear. Secure RK-186 Converter to chassis by replacing screw through tab hole.

BATTERY OPERATION

Installation of Battery Pack—Insert battery cable plug into battery socket, installing battery pack with plug side facing toward the front.

For Battery Operation—Insert polarized power cord plug all the way into the chassis socket. Store excess power cord neatly to the right side of the battery pack. Close case back securely.

CARE OF INSTRUMENT CASE

To best preserve the appearance and serviceability of the instrument case, keep it clean. For this purpose, any mild soap will do, if applied as a lather and the dirt removed with a dry, clean cloth. Abrasives, commercial cleaning fluids, nail polish remover and the like should not be used.

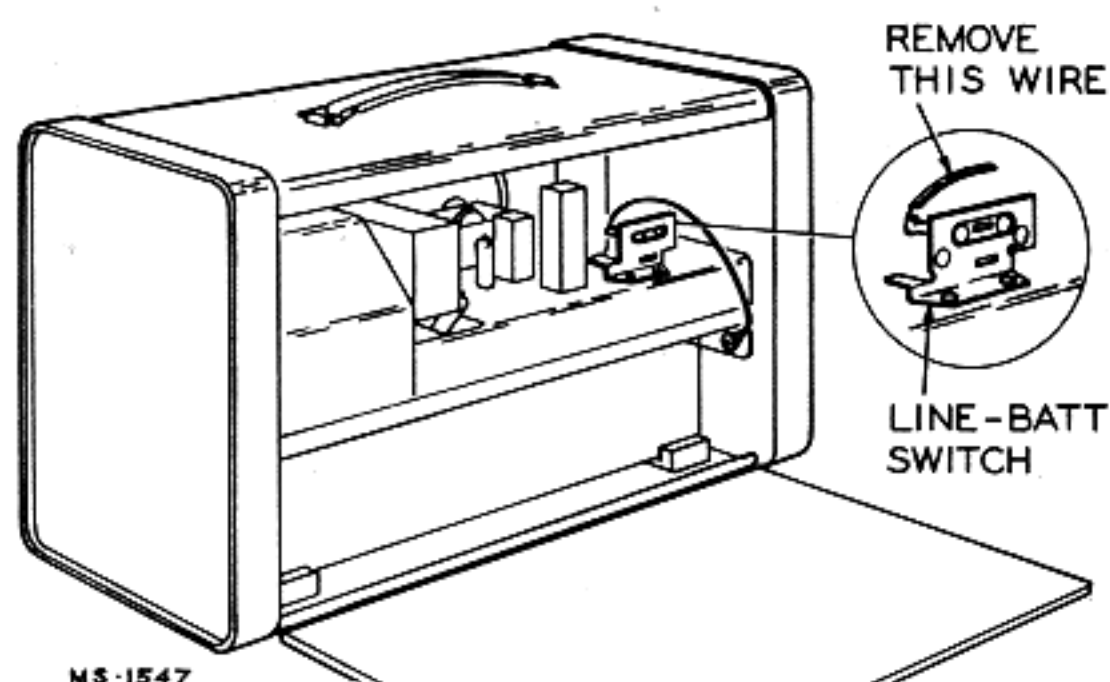
Production Changes — Model 3-BX-671

The chassis of Model 3-BX-672 is identical to late production of Model 3-BX-671.

Change in Wiring:

Terminal #8 of the LINE-BATTERY switch (S-2) was connected to the side of the metal case. This connection to the case has been removed.

The purpose of this connection was to provide the maximum performance on the broadcast ("A") band. It has since been found that the circuit which included this wire resonated in the 31 and 25 meter bands and, on battery operation, caused a reduction in sensitivity on these bands. Removal of this wire improved the performance on 31 and 25 meter bands far more than it diminished sensitivity on "A" band.



Should leather become dry from cleaning or aging, the natural oils should be replaced. For restoration purposes, a number of applications of 10 to 20 per cent of sulfonated castor, or neatsfoot, or cod oil may be made as required.

LINE VOLTAGE COMPENSATOR

Weak reception may result from sub-normal power line voltage. If determined as the cause (check voltage rating with power company), the Line Voltage Compensator is provided to improve reception by switching to "LOW LINE VOLTAGE" position. To use, break the caution label seal, and move the switch slot to the right. Use of this feature is not recommended unless the line voltage is 105 volts or less.

USE OF ANTENNAS

Built-In Loop—For Standard Broadcast

Contained in the hinged lid of the case, this antenna is in use as long as it remains plugged into the antenna socket. It is possible to improve reception by rotating the receiver.

Ferrite Rod—For Standard Broadcast—Low Signal/Noise Areas

To improve reception within steel buildings, automobiles, etc., the ferrite rod antenna may be used. Remove loop antenna plug from its socket. Remove ferrite rod antenna from spring clips inside back cover, unwind wire extension, and insert cable plug into antenna socket. The ferrite rod antenna may be secured on a window in a horizontal position, by pressing the suction cups firmly against the glass. Reception may be improved by changing the position of the antenna.

External—For Standard Broadcast—Weak Signal Areas

A terminal for outside antenna connection is located on the hinged lid of the case. Connect a wire to this terminal and suspend approximately 60 to 100 feet in space, at least 50 feet in a horizontal position.

Telescopic Rod—For Short Wave

Concealed within the case on the right, this antenna is used for reception on any one of the six Short Wave bands. To use, press release button on lower right side of case, and antenna top will appear above its opening. Grasp antenna top, and pull up antenna sections until a distinct snap or click results. For best reception, all sections should be fully extended.

NOTE: Short Wave reception is impossible unless bottom (Satin Finish) section of antenna is snapped into its elevated position.

If it should be desired to effect this change on instruments already in use, it may easily be done without removing the chassis and without use of tools.

Change in Band Indicator Pulley:

On original production the band indicator cord pulley was 1 7/8" in diameter and required use of a large diameter cord for full travel of the band indicator.

Late production uses a pulley which is 2" in diameter and permits the use of a standard thickness cord.

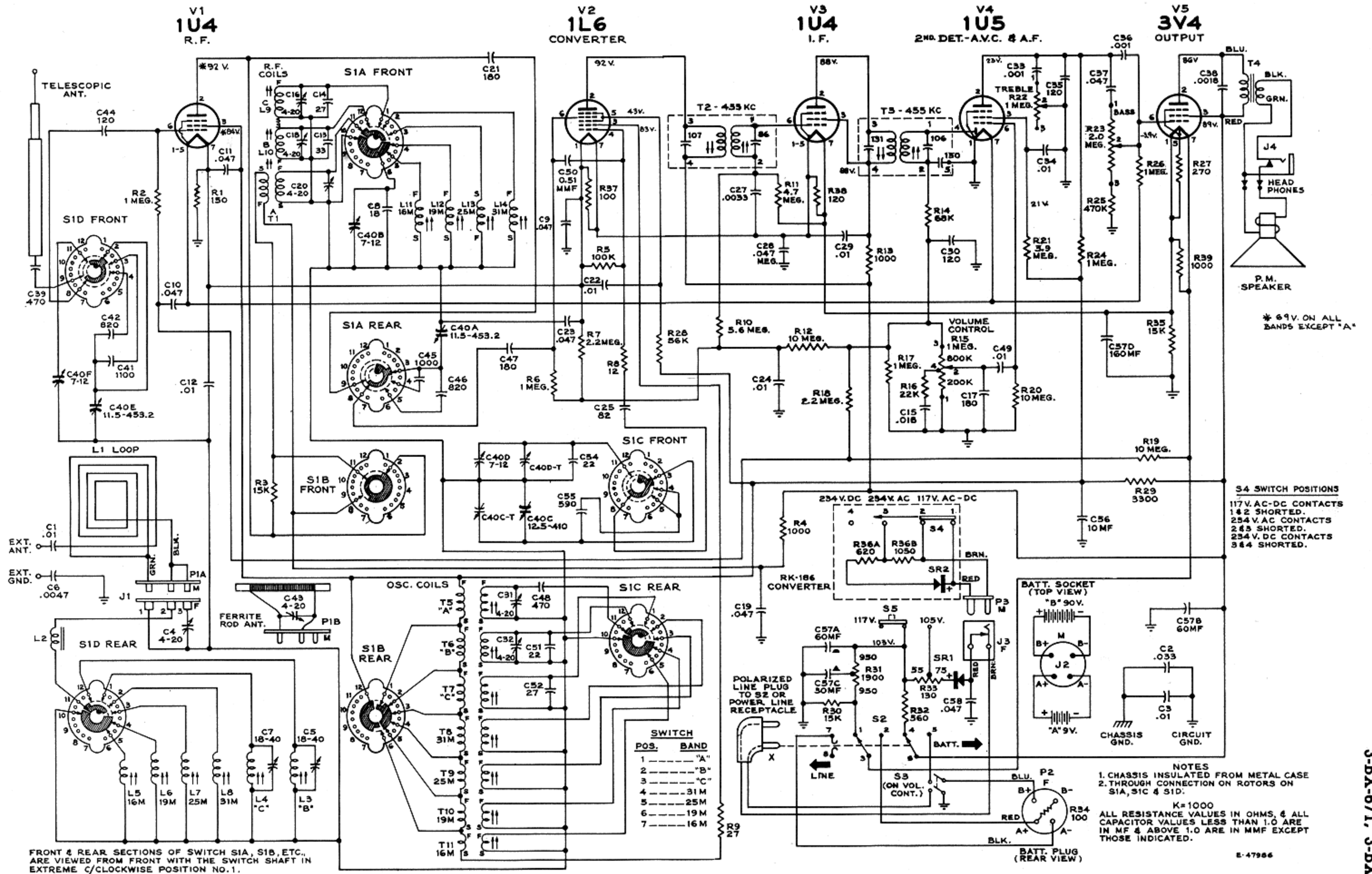
When replacing the band indicator drive cord it is necessary to use the correct diameter cord for correct band indicator travel.

Change in Telescopic Antenna:

The smallest diameter section of the antenna originally had a #4-40 thread on the end to accommodate a cap. On late production antennas the thread is #5-40. Due to the different thread size the originally listed cap will not fit on late production antennas.

The base contact of the telescopic antenna was originally separable from the rod and was secured by a screw. Late production antennas have this base contact permanently attached.

The antennas as complete units are interchangeable.



Schematic Diagram—Chassis No. RC-1125

Replacement Parts

Stock No.	DESCRIPTION	Stock No.	DESCRIPTION
	CHASSIS ASSEMBLIES RC 1125		
78135	Board—Baffle board and grille screen less speaker	78133	Connector—3 contact female connector for antenna leads (J1)
78104	Board—"Gnd" board	30567	Connector—4 contact female connector for battery cable (P2)
78091	Bushing—Fibre bushing for chassis mounting shelf	78094	Control—Bass tone control (R23)
78108	Capacitor—Variable tuning capacitor complete with drive drum (C40A, C40B, C40C, C40D, C40E, C40F, C40C-T, C40D-T)	78093	Control—Treble tone control (R22)
78146	Capacitor—Capacitor (82 mmf.) and resistor (12 ohms) assembly (C25, R8)	78092	Control—Volume control and power switch (R15, S3)
	Capacitor—Adjustable, mica:—	70022	Cord—Power cord and plug
78130	4-20 mmf. (C4, C16, C18, C20)	*72953	*Cord—Station selector pointer drive cord (approx. 15" overall)
78131	4-20 mmf. (C31, C32)	72953	Cord—Station selector pointer drive cord (approx. 22" overall)
78132	20-50 mmf. (C5, C7)	72953	Cord—Station selector pointer or band indicator pointer drive cord (approx. 24" overall)
	Capacitor—Fixed, ceramic, High "K" disc:—	78242	Cushion—Rubber cushion for baffle board (4½" long)
73960	10,000 mmf., +100%, -0%; 500 volts (C, C12, C22, C24, C29, C34)	78105	Cushion—Rubber cushion for baffle board (10½" long)
	Capacitor—Fixed, ceramic, non-insulated:	78097	Eyelet—Station selector pointer drive cords connecting eyelet
33101	22 mmf., ±10%, 500 volts Temp. coef. = -750 (C51, C54)	74838	Grommet—Power cord strain relief (1 set)
72570	27 mmf., ±10%, 500 volts Temp. coef. = -750 (C52)	16058	Grommet—Rubber grommet for mounting gang capacitor
	Capacitor—Fixed, ceramic, insulated, High "K" type:	71851	Grommet—Rubber grommet for speaker mounting
78138	18 mmf., ±10%, 500 volts (C8)	78086	Guide—Station selector pointer guide rail and pulley assembly
78139	180 mmf., ±10%, 500 volts (C17, C21, C47)	78099	Nut—Speed nut for tuner shield
	Capacitor—Fixed, ceramic, non-insulated, High "K" type:—	78098	Nut—Speed nut for baffle board mounting (4 req'd) or for tuner shield
73141	27 mmf., ±10%, 500 volts (C14)	78103	Nut—Speed nut (twin type) to fasten pointer bracket
78140	33 mmf., ±10%, 500 volts (C13)	18469	Plate—Bakelite mounting plate for electrolytic
78142	120 mmf., ±10%, 500 volts (C30, C35, C44)	78090	Pointer—Band indicator pointer
	Capacitor—Fixed, headed-lead:—	78087	Pointer—Station selector pointer
78137	0.51 mmf., ±10%, 500 volts (C50)	78107	Pulley—Band indicator drive pulley and hub assembly (1⅞" dia.) for early production
	Capacitor—Fixed, mica:—	78640	Pulley—Band indicator drive pulley and hub assembly (2" dia.) for late production
39644	470 mmf., ±5%, 500 volts (C48)	72602	Pulley—Drive cord pulley—part of pointer guide rail or for station selector pointer drive cord pulley
76992	470 mmf., ±20%, 300 volts (C39)	78101	Rectifier—Selenium rectifier (SR1)
74929	590 mmf., ±2%, 500 volts (C55)		Resistor—Wire wound:—
78143	820 mmf., ±5%, 300 volts (C42, C46)	78136	comprising 1 section of 75 ohms, 5 watts and 1 section of 55 ohms, 5 watts (R33)
39652	1000 mmf., ±5%, 300 volts (C45)	78102	dual 950 ohms, 3½ watts (R31)
78144	1100 mmf., ±2%, 500 volts (C41)		Resistor—Fixed, composition:—
	Capacitor—Electrolytic comprising:—	503027	27 ohms, ±10%, ½ watt (R9)
78095	1 section of 60 mfd., 350 volts, 1 section of 60 mfd., 150 volts, 1 section of 30 mfd., 150 volts, 1 section of 160 mfd., 25 volts (C57A, C57B, C57C, C57D)	503110	100 ohms, ±10%, ½ watt (R34, R37)
	Capacitor—Fixed, electrolytic:—	503112	120 ohms, ±10%, ½ watt (R38)
78145	10 mfd., 150 volts (C56)	503115	150 ohms, ±10%, ½ watt (R1)
	Capacitor—Fixed paper moulded:—	503127	270 ohms, ±10%, ½ watt (R27)
75643	.001 mfd., 1000 volts (C33, C36)	513156	560 ohms, ±10%, 1 watt (R32)
73851	.0018 mfd., 1600 volts (C38)	503210	1000 ohms, ±10%, ½ watt (R4, R13, R39)
73795	.0033 mfd., 600 volts (C27)	503233	3300 ohms, ±10%, ½ watt (R29)
73920	.0047 mfd., 600 volts (C6)	503315	15,000 ohms, ±10%, ½ watt (R3, R30, R35)
73561	.01 mfd., 400 volts (C49)	503322	22,000 ohms, ±10%, ½ watt (R16)
58476	.018 mfd., 400 volts (C15)	503356	56,000 ohms, ±10%, ½ watt (R28)
73552	.033 mfd., 400 volts (C2)	503368	68,000 ohms, ±10%, ½ watt (R14)
73558	.047 mfd., 200 volts (C9, C10, C23, C28, C37)	503410	100,000 ohms, ±10%, ½ watt (R5)
73553	.047 mfd., 400 volts (C11, C19)	503447	470,000 ohms, ±10%, ½ watt (R25)
73592	.047 mfd., 600 volts (C58)	503510	1 megohm, ±10%, ½ watt (R2, R6, R17, R24, R26)
73935	Clip—Mounting clip for I.F. transformer	503522	2.2 megohm, ±10%, ½ watt (R7, R18)
78123	Coil—Antenna coil—"B" band (L3)	503539	3.9 megohm, ±10%, ½ watt (R21)
78124	Coil—Antenna coil—"C" band (L4)	503547	4.7 megohm, ±10%, ½ watt (R11)
78128	Coil—Antenna coil—16 meter band (L5)	503556	5.6 megohm, ±10%, ½ watt (R10)
78127	Coil—Antenna coil—19 meter band (L6)	503610	10 megohm, ±10%, ½ watt (R12, R19, R20)
78126	Coil—Antenna coil—25 meter band (L7)	78088	Shaft—Tuning knob shaft
78125	Coil—Antenna coil—31 meter band (L8)	78089	Shield—Bakelite shield for tuner unit
78129	Coil—Loading coil (L2)	73584	Shield—Tube shield
78109	Coil—Oscillator coil—"A" band (T5)	78134	Socket—Tube socket, miniature, 7 pin, floating
78110	Coil—Oscillator coil—"B" band (T6)	73117	Socket—Tube socket, miniature, 9 pin, wafer
78111	Coil—Oscillator coil—"C" band (T7)	74305	Spring—Band indicator pointer drive cord spring
78115	Coil—Oscillator coil—16 meter band (T11)	76332	Spring—Station selector pointer drive cord spring
78114	Coil—Oscillator coil—19 meter band (T10)	71039	Switch—Battery switch (S2)
78113	Coil—Oscillator coil—25 meter band (T9)	78096	Switch—Weak signal area switch (S5)
78112	Coil—Oscillator coil—31 meter band (T8)	78106	Switch—Range switch (S1)
78116	Coil—RF coil—"A" band (T1)	74918	Transformer—1st I.F. transformer complete with adjustable core (T2)
78117	Coil—RF coil—"B" band (L10)	73037	Transformer—2nd I.F. transformer complete with adjustable core (T3)
78118	Coil—RF coil—"C" band (L9)	78100	Transformer—Output transformer (T4)
78122	Coil—RF coil—16 meter band (L11)	33726	Washer—"C" washer for tuning knob shaft
78121	Coil—RF coil—19 meter band (L12)		SPEAKER ASSEMBLIES 971933-2
78120	Coil—RF coil—25 meter band (L13)		
78119	Coil—RF coil—31 meter band (L14)		
7903	Connector—Earphone jack (J4)	74378	Gasket—Rubber gasket (3¼") for speaker
71040	Connector—2 contact female connector for 220 volt operation (J3)	78147	Speaker—5¼" P.M. speaker complete with cone and voice coil (3.2 ohms)
38904	Connector—2 contact female connector for AC line cord		

*Note:—72953 is a spool containing 250 ft. of cord.

Replacement Parts

Stock No.	DESCRIPTION	Stock No.	DESCRIPTION
	MISCELLANEOUS		
78196	Antenna—Ferrite rod antenna complete with winding	78182	Escutcheon—Dial scale escutcheon less dial
78187	Antenna—Lid and antenna loop assembly complete (L1, C1)	78169	Foot—Rubber foot
78641	Antenna—Telescopic antenna complete with bottom contact and screw-on cap	78173	Handle—Carrying handle—Model 3-BX-671
78643	Arm—Cabinet lid arm and lead (R. H.) complete with spring and bearing	78983	Handle—Carrying handle—Model 3-BX-672
78644	Arm—Cabinet lid arm and lead (L. H.) complete with spring and bearing	78156	Hinge—Hinge for back cover (2 req'd)
78184	Back—Case back complete—Model 3-BX-671	78167	Insulator—Nylon insulator for case lid
78981	Back—Case back complete—Model 3-BX-672	78171	Latch—Latch for back cover
78158	Bearing—Bearing (phenolic tube) for telescopic antenna	78187	Lid—Case lid and antenna loop assembly for Model 3-BX-671 (L1, C1)
78189	Bearing—Case lid bearing	78982	Lid—Case lid and antenna loop assembly for Model 3-BX-672 (L1, C1)
78174	Bracket—"U" shape bracket (clevis) for carrying handle links	78175	Link—Carrying handle link
78166	Button—Telescopic antenna push button	78149	Knob—Bass tone control knob
78165	Cap—Screw-on cap (.080" dia. hole) for early production telescopic antenna	78151	Knob—Range switch knob
78642	Cap—Screw-on cap (.110" dia. hole) for late production telescopic antenna	78150	Knob—Treble tone control knob
75967	Capacitor—Adjustable, mica, 4-20 mmf. (C43)	78148	Knob—Tuning control or volume control and power switch knob
78190	Case—Case only for ferrite rod antenna	78414	Map—World map and time chart
78153	Case—Case less sides, handle, links, feet front and back cover—Model 3-BX-671	73203	Nut—Speed nut to fasten "RCA Victor" emblem
78984	Case—Case only—less sides, handle, links, feet, front and back cover—Model 3-BX-672	78192	Plate—Bakelite plate for ferrite rod antenna trimmer capacitor
78170	Catch—Case catch	78172	Plate—Mounting plate for carrying handle
78186	Catch—Case back catch—part of case back	78180	Rack—Spare tube rack
78185	Clip—Mounting clip for ferrite rod antenna	78183	Screw—#4-40 x 1/4" cross recessed flat head tapping screw to fasten dial to escutcheon
78411	Clip—Clip for case catch—bottom	77974	Side—Case side—L.H.—complete with leather belting
78177	Connector—3 contact male connector for antenna loop and for ferrite rod antenna (PIA, PIB)	77975	Side—Case side—R.H.—complete with leather belting
78162	Contact—Bottom contact for early production telescopic antenna	78188	Spring—Case lid spring
78163	Contact—Formed spring clip and contact for telescopic antenna—upper	78633	Spring—Coil spring for range switch knob
78164	Contact—Lower contact and push button catch	78160	Spring—Push-up spring for telescopic antenna
78195	Cover—Bottom cover for ferrite rod antenna	74734	Spring—Spring clip for control knobs
78191	Cup—Suction cup for ferrite rod antenna case	78154	Strap—Leather strap for L.H. case side
78159	Cushion—Adhesive cushion for bottom of antenna bearing	78155	Strap—Leather strap for R.H. case side
75470	Cushion—Rubber cushion for battery support	78413	Strap—Strap for holding ferrite rod antenna lead
78193	Cushion—Rubber spacer cushion (1/8" x 13/16" dia.) for ferrite rod antenna	78168	Support—Battery support (wood)
78194	Cushion—Rubber spacer cushion (1/2" x .328" I.D. x 13/16" O.D.) for ferrite rod antenna	78161	Support—Telescopic antenna bearing support—at top of antenna
78181	Dial—Dial scale less escutcheon	77467	Washer—Felt washer for knob
77012	Emblem—"RCA Victor" emblem	78152	Washer—Insulating washer for control knobs
		78178	Washer—Insulating washer for case lid pivot
		78179	Washer—Vellutex washer for dial and bezel mounting
		78412	Washer—Vellutex washer for case catch clip
			RK 186 CONVERTER
		78303	Connector—2 contact male connector (P3)
		77958	Rectifier—Selenium rectifier (SR2)
		78302	Resistor—Wire wound, comprising:— 1 section of 620 ohms, 10 watts, and 1 section of 1050 ohms, 5 watts (R36)
		78304	Switch—Voltage change switch (S4)

APPLY TO YOUR RCA DISTRIBUTOR FOR PRICES OF REPLACEMENT PARTS