

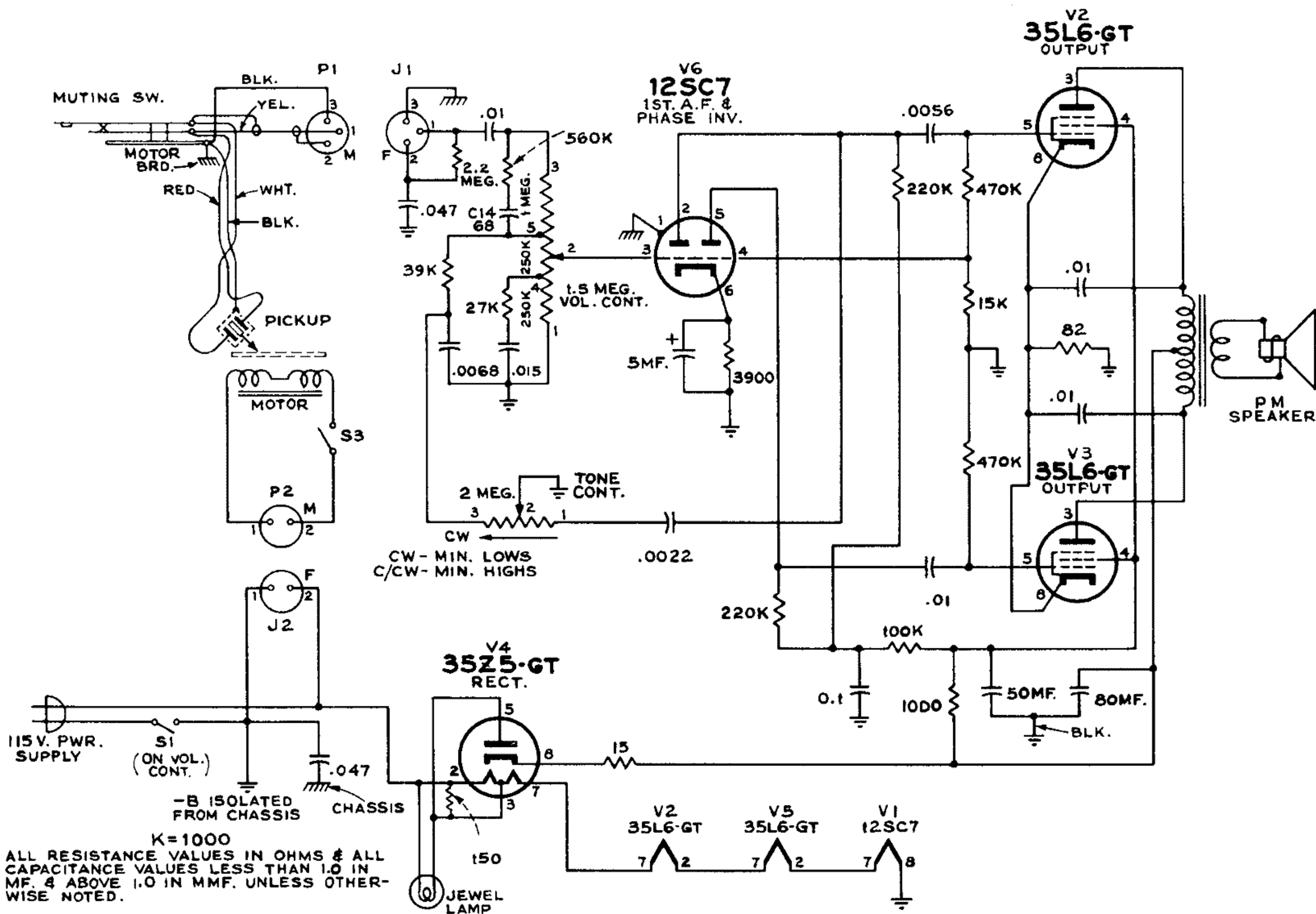
MANUAL OF 1952 MOST-OFTEN-NEEDED RADIO DIAGRAMS

RCA VICTOR

MODEL 45-EY-4



Chassis No. RS 140



K=1000
ALL RESISTANCE VALUES IN OHMS & ALL CAPACITANCE VALUES LESS THAN 1.0 IN MF. & ABOVE 1.0 IN MMF. UNLESS OTHERWISE NOTED.