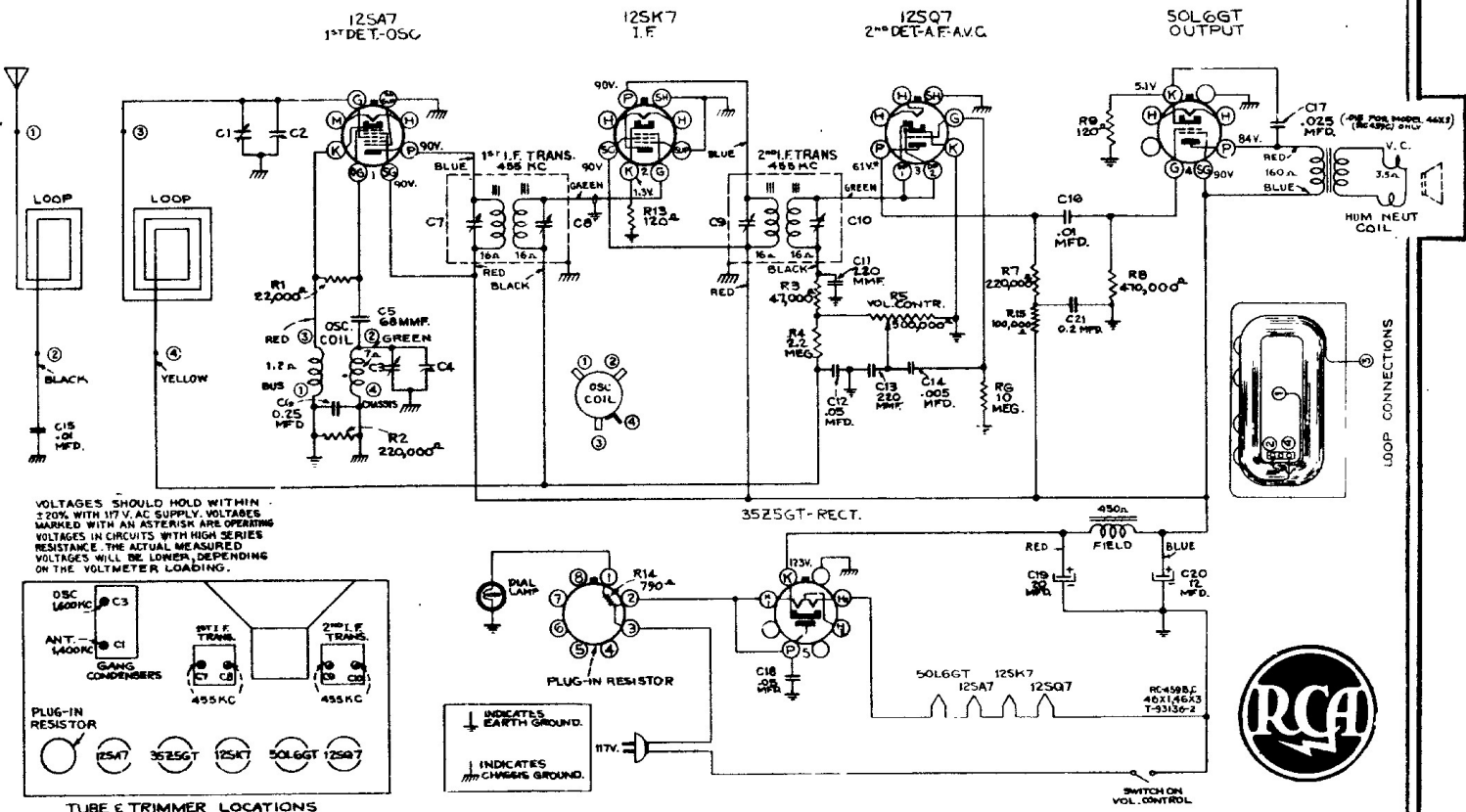


MANUAL OF 1939 MOST POPULAR SERVICE DIAGRAMS



Models 46X1, 46X2 and 46X3 Chassis Nos. 459B and 459C

Models 46X11, 46X12, and 46X13 Chassis Nos. RC456 and RC456A

