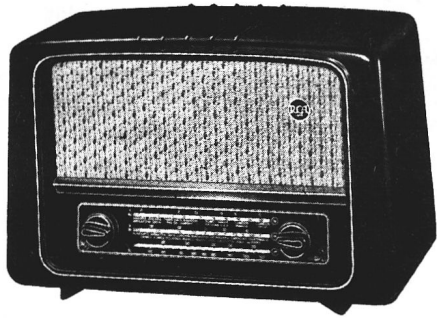


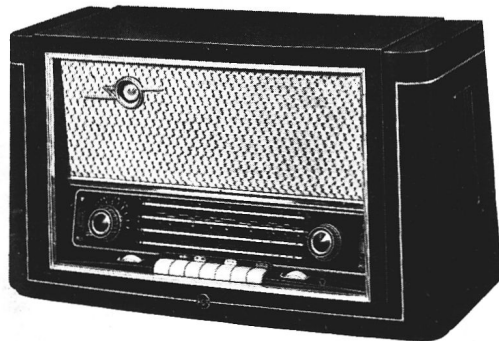
5QB43  
5QR75X



# RCA VICTOR



Model 5QB43



Model 5QR75X

## MODELS 5QB43, 5QR75X SERVICE DATA

—1956 No. 2—

ISSUED BY  
GENERAL SERVICE DEPARTMENT  
RCA VICTOR COMPANY, LTD.  
MONTREAL, CANADA

### ELECTRICAL AND MECHANICAL SPECIFICATIONS

#### MODEL 5QB43

##### TUNING RANGE

Standard Broadcast	.....	515 - 1620 Kcs.
B-Band (Medium Wave)	.....	2.2 - 7 Mcs.
C-Band (Short Wave)	.....	7.0 - 22 Mcs.
Intermediate Frequency	.....	455 Kcs.

##### TUBE COMPLEMENT

Sym.	Type	Function
V-1	RCA 1L6	Converter
V-2	RCA 1U4	1st I.F.
V-3	RCA 1U5	Audio Detector
V-4	RCA 3V4	Audio Output

Battery ..... RCA - VS022

##### LOUDSPEAKER

Type ..... 5" dynamic  
Voice Coil Impedance ..... 4.5 ohms

##### CABINET DIMENSIONS (Overall) - (Plastic)

Height ..... 9"  
Width ..... 14"  
Depth ..... 6½"

#### MODEL 5QR75X

##### TUNING RANGE

X-Band Long Wave	.....	150-380 Kcs.
Standard Broadcast	.....	520-1605 Kcs.
Short Wave I	.....	2.2-4.6 Mcs.
Short Wave II	.....	4.61-10 Mcs.
Short Wave III	.....	10-22 Mcs.
Intermediate Frequency	.....	455 Kcs.

##### TUBE COMPLEMENT

Sym.	Type	Function
V-1	RCA 6BA6	RF Amplifier
V-2	6BE6	Converter & 1st IF
V-3	6BA6	2nd IF Amplifier
V-4	6AV6	AM Detector AVC & 1st AF
V-5	6AQ5	Audio Output
V-6	6X4	Rectifier
V-7	EM34	Tuning Eye

##### POWER OUTPUT

Undistorted ..... 4.5 watts

##### LOUDSPEAKER

Type ..... (1) 6" Dynamic  
..... (2) Tweeters  
Voice Coil Impedance ..... 4.5 ohms

##### CABINET DIMENSIONS

Height ..... 14"  
Width ..... 25"  
Depth ..... 10-5/16"

CRITICAL LEAD DRESS

Model 5QB43

Model 5QR75X

1. Connections of condenser stator must be bent away from chassis.
2. Anode, grid and diode leads of IF-transformers must be dressed close to chassis.
3. Potentiometer leads must be dressed close to chassis.
4. Resistor, pos. 17 lead must be bent away from other wires.

1. Dress grid lead from RF antenna stage close to chassis.
2. Connect oscillator 2500 MMF series capacitor (No. R-75) to ground lead or attach it to same.
3. Place oscillator series capacitors 76, 77, 78 close to base plate of set of keys.
4. Dress anode, grid and diode leads of IF band filter close to chassis.
5. Bend leads coming from power switch away from volume control.
6. 1 and 2 watt resistors must not be placed close to capacitors.
7. Bend leads to scale light away from drive.

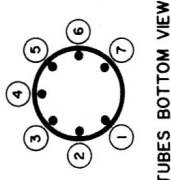
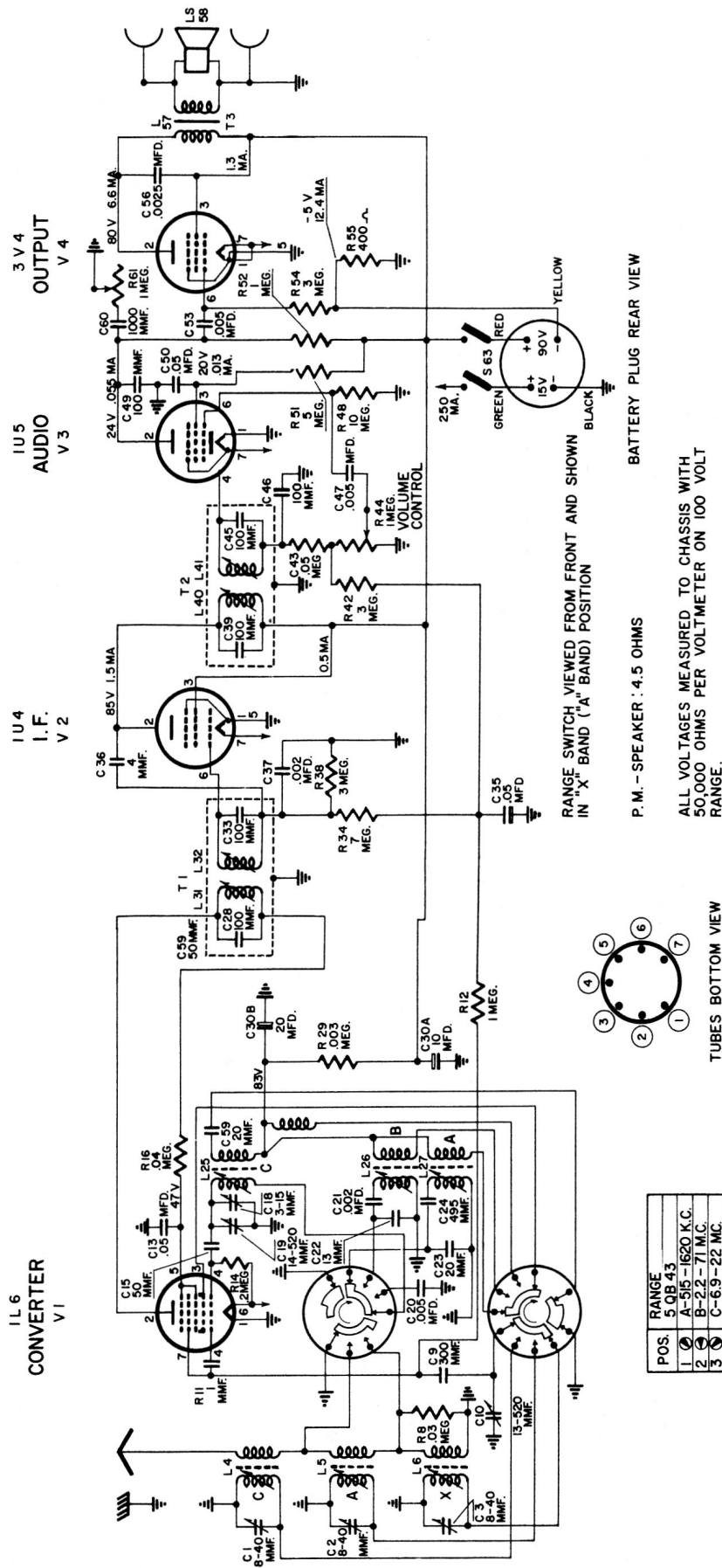
ALIGNMENT PROCEDURE

Model	Steps	Connect test oscillator low side to chassis and high side to —	Tune test oscillator to —	Wave switch gang —	Dial pointer to —	Adjust iron core or trimmer
5 QB 43	1	Grid 1 of IF stage thru .01 MFD	455 Kc	A	1.6 Mc	A B
	2	Converter grid thru .01 MFD			C D	
	3	Antenna lead thru RETMA dummy antenna	600 Kc		600 Kc	E F
	4		1.45 Mc		1.45 Mc	G H
	5	Repeat steps 3 and 4				
	6	Same as for 3 and 4	2.83 Mc	B	2.83 Mc	I K
	7		6 Mc		6 Mc	L *
	8	Repeat adjustments K and L				
	9	Same as for 3 and 4	8 Mc	C	8 Mc	M N
	10		20 Mc		20 Mc	O **
	11	Repeat adjustments N and O				
5 QR 75 X	1	Grid 1 of IF stage thru .01 MFD	455 Kc	A green	1.6 Mc	A B
	2	Converter grid thru .01 MFD				C D
	3	Grid 1 of RF stage thru .01 MFD				E Minimum
	4	Antenna lead thru RETMA antenna	160 Kc	X ivory	160 Kc	1 F 2 F
	5		380 Kc		380 Kc	1 G 2 G
	6		600 Kc	A green	600 Kc	1 H 2 H 3 H
	7		1.45 Mc		1.45 Mc	1 J 2 J 3 J
	8	Repeat steps 4, 5, 6 and 7				
	9	Same as for 4, 5, 6 and 7	2.5 Mc	SWI golden	2.5 Mc	1 K 2 K 3 K
	10		4.5 Mc		4.5 Mc	1 L 2 L 3 L†
	11	Repeat steps 9 and 10				
	12	Same as for 4, 5, 6 and 7	5 Mc	SWII blue	5 Mc	1 M 2 M 3 M
	13		9 Mc		9 Mc	1 N 2 N 3 N††
	14	Repeat steps 12 and 13				
	15	Same as for 4, 5, 6 and 7	12 Mc	SWIII red	12 Mc	1 P 2 P 3 P
	16		22 Mc		22 Mc	1 Q 2 Q 3 Q†††
	17	Repeat steps 15 and 16				

Image signal of lesser amplitude should occur at —

† 3.6 Mc  
†† 8.1 Mc  
††† 21.1 Mc

If a RETMA dummy antenna is not available, substitute a 200 MMF capacitor on X and A band and 400 ohm carbon resistor on short wave bands.



POS	RANGE
1	5 QB 43
2	A-515-1620 K.C.
3	B-2.2-71 M.C.
	C-6.9-22 MC.

RANGE SWITCH VIEWED FROM FRONT AND SHOWN IN "X" BAND ("A" BAND) POSITION

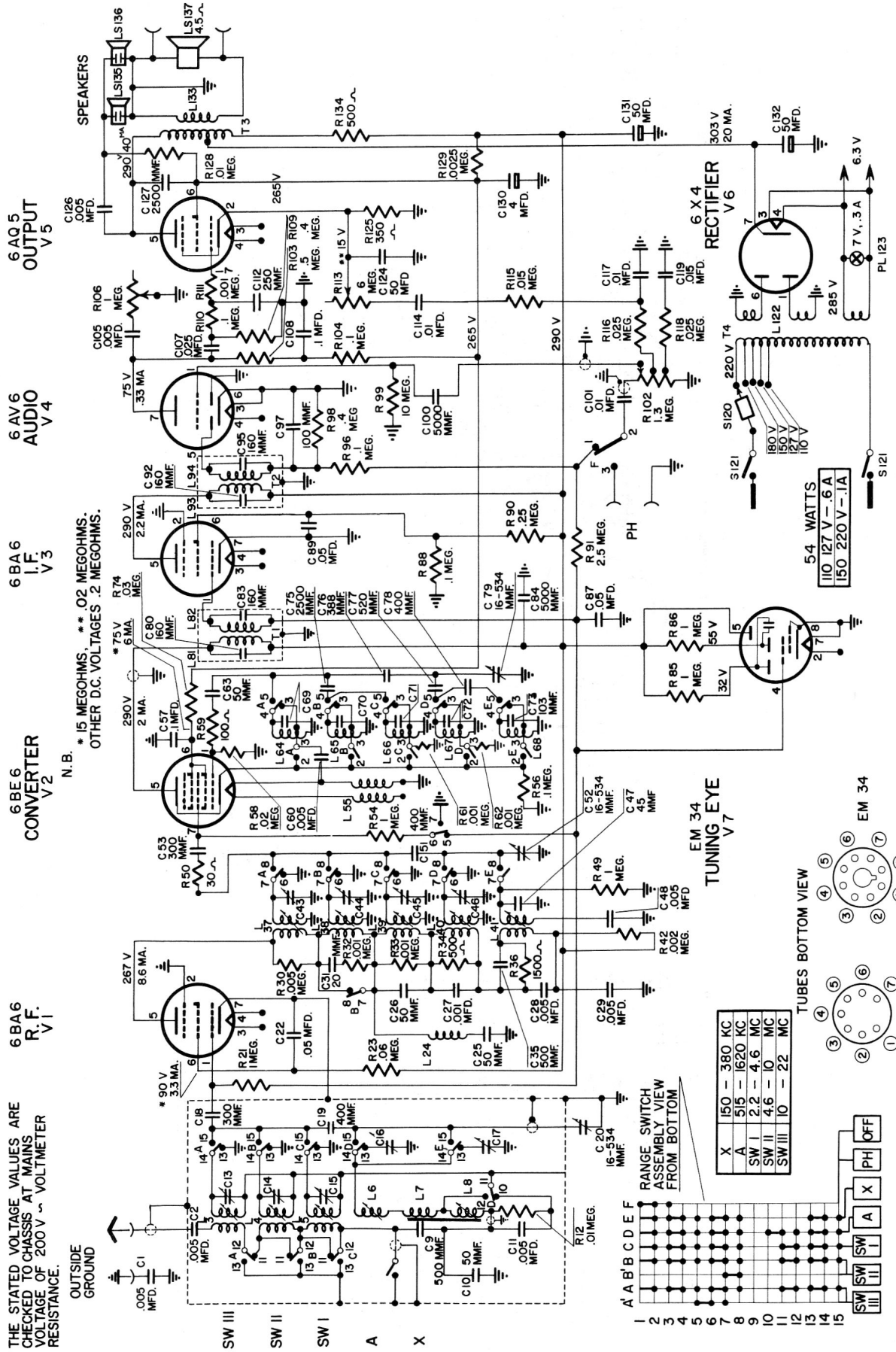
P.M. - SPEAKER: 4.5 OHMS

BATTERY PLUG REAR VIEW

ALL VOLTAGES MEASURED TO CHASSIS WITH 50,000 OHMS PER VOLT-METER ON 100 VOLT RANGE.

Schematic for Model 5QB43

THE STATED VOLTAGE VALUES ARE CHECKED TO CHASSIS AT MAINS VOLTAGE OF 200V ~ VOLTMETER RESISTANCE.



6BA6 R.F. V1  
6BA6 I.F. V3  
6AV6 AUDIO V4  
6AQ5 OUTPUT V5

EM 34 TUNING EYE V7

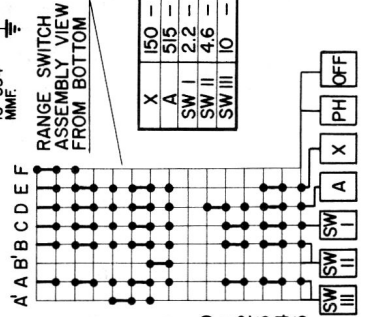
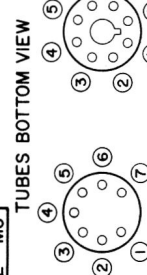
6 X 4 RECTIFIER V6

OUTSIDE GROUND

\* 90 V. 3.3 MA.  
\* 267 V. 8.6 MA.  
\* 75 V. 6 MA.  
\* 290 V. 2.2 MA.

N.B. \* .15 MEGOHMS. \*\* .02 MEGOHMS.  
OTHER D.C. VOLTAGES .2 MEGOHMS.

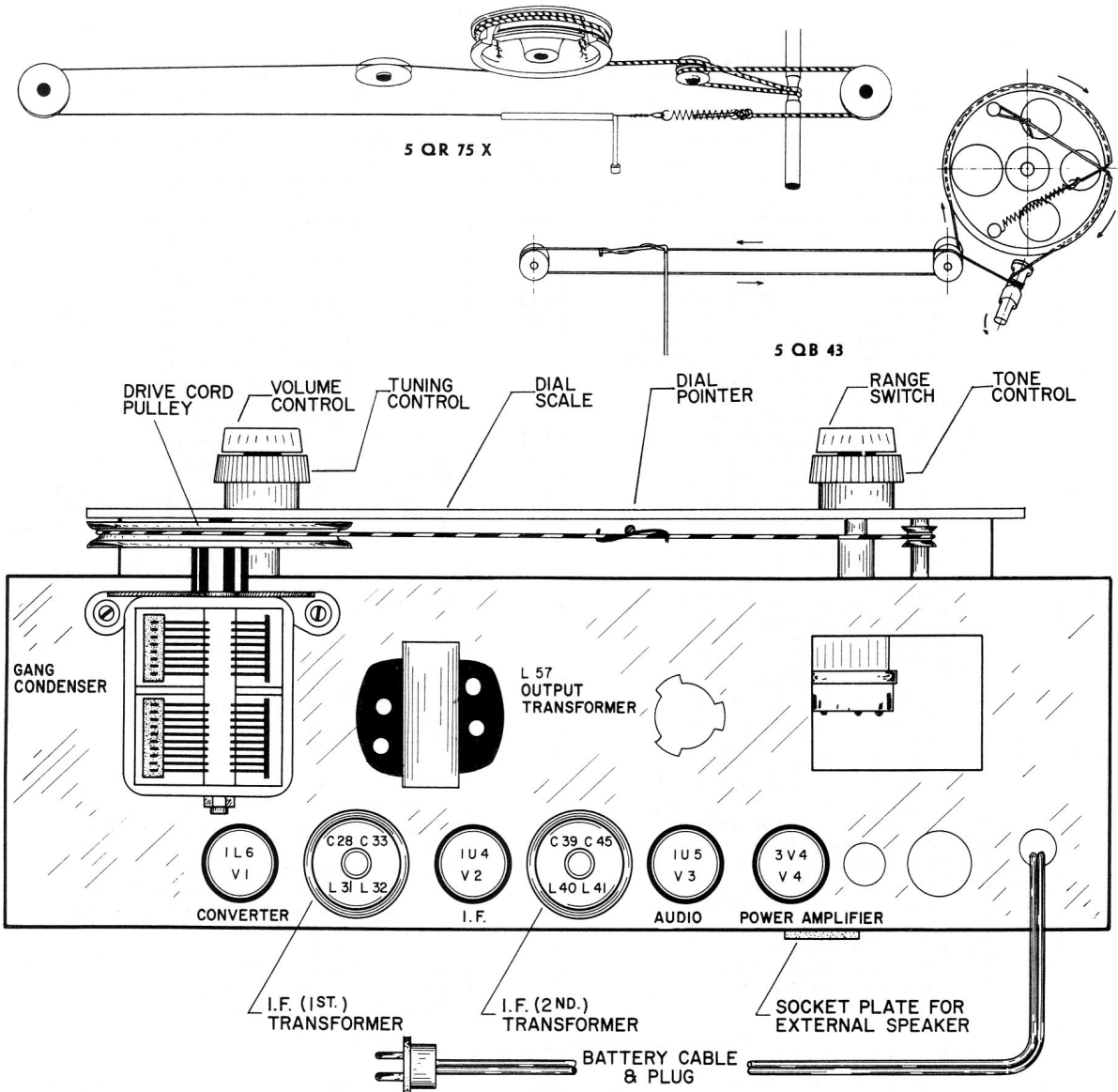
X	150 - 380 KC
A	515 - 1620 KC
SW I	2.2 - 4.6 MC
SW II	4.6 - 10 MC
SW III	10 - 22 MC



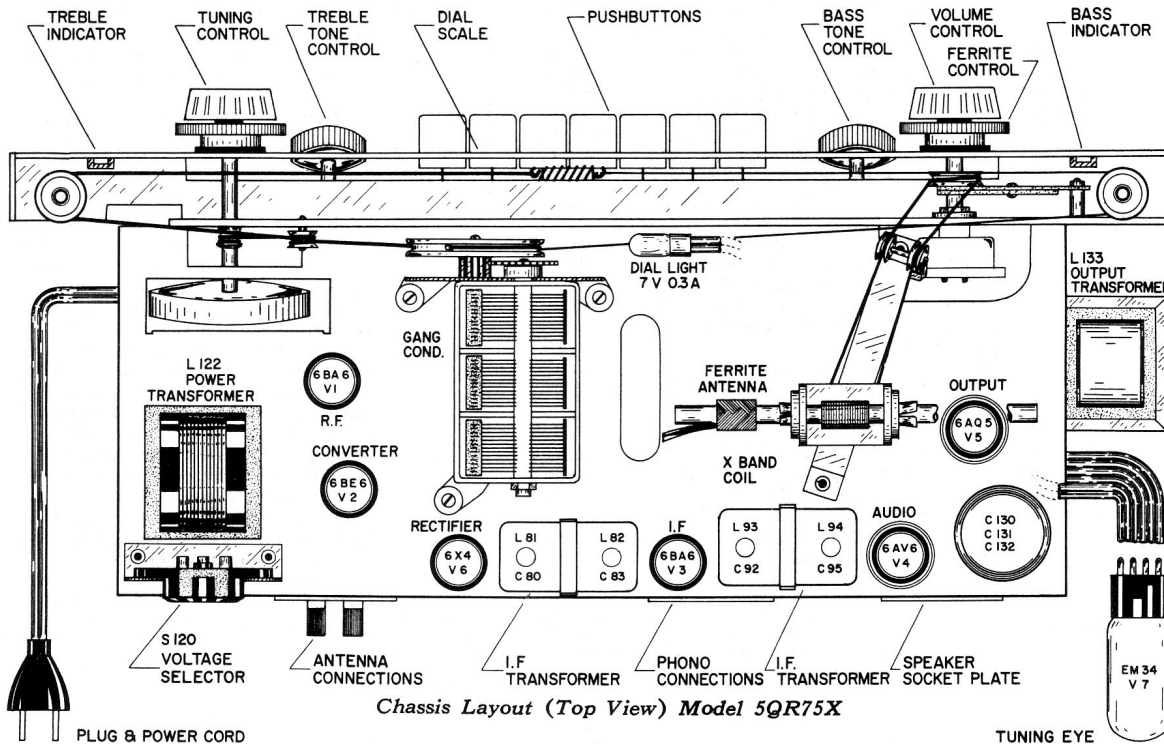
Schematic for Model 5QR75X

# DIAL CORD STRINGING

5QB43  
5QR75X



Chassis Layout (Top View) Model 5QB43



Chassis Layout (Top View) Model 5QR75X

## REPLACEMENT PARTS MODEL 5QB43

Insist on Genuine Factory Tested Parts, which are readily identified and may be purchased from Authorized Dealers.

SYMBOL	STOCK NO.	DESCRIPTION	SYMBOL	STOCK NO.	DESCRIPTION
C1		Capacitor - Trimmer - 8-40 mmf	R14		Resistor - .2 meg 10%
C2		Capacitor - Trimmer - 8-40 mmf	R16		Resistor - .04 meg 10%
C3		Capacitor - Trimmer - 8-40 mmf	R29		Resistor - .003 meg 10%
C9		Capacitor - 300 mmf 125v	R34		Resistor - 7 meg 10%
C10		Capacitor - Trimmer - 13-520 mmf	R38		Resistor - 3 meg 10%
C11		Capacitor - 1 mmf ± .25 mmf 350v	R42		Resistor - 3 meg 10%
C13		Capacitor - .05 mfd 20% 125v	R43		Resistor - .05 meg 10%
C15		Capacitor - 50 mmf 20% 125v	R44	*S-21117	Resistor - Volume control - 1 meg.
C18		Capacitor - Trimmer - 3-15 mmf	R48		Resistor - 10 meg 10%
C19		Capacitor - Trimmer - 14-520 mmf	R51		Resistor - 5 meg 10%
C20		Capacitor - 5500 mmf 10% 125v	R52		Resistor - 1 meg 10%
C21		Capacitor - 2000 mmf 5% 125v	R54		Resistor - 3 meg 10%
C22		Capacitor - 13 mmf 125v	R55		Resistor - 400 ohms 10%
C23		Capacitor - 20 mmf 5% 125v	R61	*S-21117	Resistor - Tone control - 1 meg.
C24		Capacitor - 495 mmf 5% 125v	SW1	*S-21073	Switch - Range switch
C28		Capacitor - 100 mmf 5% 125v	T1	*S-21115	Transformer - 1st IF transformer
C30A	*S-21114	Capacitor - Electrolytic-10-20 mfd,	T2	*S-21115	Transformer - 2nd IF transformer
C30B		100/110v	T3	*S-21116	Transformer - Audio output transformer
C33		Capacitor - 100 mmf 5% 125v			
C35		Capacitor - .05 mfd 20% 125v			<b>SPEAKER ASSEMBLY</b>
C36		Capacitor - 4 mmf 350v			
C37		Capacitor - 2000 mmf 5% 125v	*S-21118		Speaker - 5" Dynamic
C39		Capacitor - 100 mmf 5% 125v			<b>MISCELLANEOUS ASSEMBLY</b>
C45		Capacitor - 100 mmf 5% 125v			
C46		Capacitor - 100 mmf 5% 125v			
C47		Capacitor - .005 mfd 20% 125v	*S-21079		Baffle - Speaker baffle
C49		Capacitor - 100 mmf 20% 125v	*S-21078		Cabinet - Plastic Cabinet
C50		Capacitor - .05 mfd 20% 125v	*S-21282		Cable - Battery cable
C53		Capacitor - .005 mfd 20% 125v	*S-21074		Cover - Back cover
C56		Capacitor - 2500 mmf 20% 500v	*S-21092		Cover - Dial cover
C59		Capacitor - 20 mmf 5% 125v	S-4313		Cord - Dial cord (standard)
C60		Capacitor - 1000 mmf 20% 125v	*S-20869		Emblem - "RCA" Decal
	*S-21261	Capacitor - Variable condenser	*S-20865		Grille - Grille cloth and baffle board
L4	*S-21110	Coil - Antenna "C" Band coil			
L5	*S-21109	Coil - Antenna "B" Band coil	*S-21086		Knob Ass'y - Tone Knob
L6	*S-21108	Coil - Antenna SB. coil	*S-21084		Knob Ass'y - Tuning control knob
L25	*S-21113	Coil - Oscillator "C" Band coil	*S-21083		Knob Ass'y - Range & Volume control knob
L26	*S-21112	Coil - Oscillator "B" Band coil	*S-21076		Pointer - Dial pointer
L27	*S-21111	Coil - Oscillator SB. coil	*S-21072		Scale - Dial scale
	*S-21107	Assembly - Tuner Coil assembly	*S-20881		Socket - Tube sockets
R8		Resistor - .03 meg 10%	*S-21093		Spring - Spring lock for dial cover
R12		Resistor - 1 meg 10%	*S-21082		Strip - Middle brass strip
<b>REPLACEMENT PARTS MODEL 5QR75X</b>					
C1		Capacitor - .005 mfd - paper 500V 20%	C63		Capacitor - 50 mmf paper 125V 20%
C2		Capacitor - .005 mfd - paper 250V 20%	C69	*S-21212	Capacitor - Trimmer - 10-45 mmf
C9		Capacitor - 500 mmf - paper 125V 20%	C70	*S-21212	Capacitor - Trimmer - 10-45 mmf
C10		Capacitor - 50 mmf - paper 125V 20%	C71	*S-21212	Capacitor - Trimmer 10-45 mmf
C11		Capacitor - .005 mfd - paper 125V 20%	C72	*S-21212	Capacitor - Trimmer - 10-45 mmf
C13	*S-21211	Capacitor - Trimmer - 6-30 mmf	C73		Capacitor - 103 mmf paper 125V 2.5%
C14	*S-21211	Capacitor - Trimmer - 6-30 mmf	C75		Capacitor - 2500 mmf paper 125V 5%
C15	*S-21211	Capacitor - Trimmer - 6-30 mmf	C76		Capacitor - 388 mmf paper 125V 5%
C16	*S-21212	Capacitor - Trimmer - 10-45 mmf	C77		Capacitor - 520 mmf paper 125V 5%
C17		Capacitor - Trimmer - 4-20 mmf	C78		Capacitor - 400 mmf paper 125V 5%
C18		Capacitor - 300 mmf paper 125V 20%	C79		Capacitor - Trimmer - 16-534 mmf
C19		Capacitor - 400 mmf paper 125V 2.5%			
C20		Capacitor - Trimmer - 16-534 mmf	C80		Capacitor - 100 mmf paper 125V 2.5%
C22		Capacitor - .05 mfd paper 500V 20%	C83		Capacitor - 160 mmf paper 125V 2.5%
C25		Capacitor - 50 mmf paper 500V 2.5%	C84		Capacitor - 5000 mmf paper 500V 20%
C26		Capacitor - 50 mmf paper 125V 20%	C87		Capacitor - .05 mfd paper 125V 20%
C27		Capacitor - .001 mfd paper 125V 5%	C89		Capacitor - .05 mfd paper 500V 20%
C28		Capacitor - .005 mfd paper 250V 20%	C92		Capacitor - 160 mmf paper 125V 2.5%
C29		Capacitor - .005 mfd paper 500V 20%	C95		Capacitor - 160 mmf paper 2.5%
C31		Capacitor - 20 mmf paper 250V 20%	C97		Capacitor - 100 mmf paper 125V 20%
C35		Capacitor - 500 mmf paper 125V 20%	C100		Capacitor - 5000 mmf paper 500V 20%
C43	*S-21211	Capacitor - Trimmer - 6-30 mmf	C101		Capacitor - .01 mfd paper 500V 20%
C44	*S-21212	Capacitor - Trimmer - 10-45 mmf	C105		Capacitor - .005 mfd paper 500V 20%
C45	*S-21212	Capacitor - Trimmer - 10-45 mmf	C107		Capacitor - .025 mfd paper 500V 20%
C46	*S-21211	Capacitor - Trimmer - 6-30 mmf	C108		Capacitor - .1 mfd paper 500V 20%
C47		Capacitor - Paper - 125V 2.5%	C112		Capacitor - 250 mmf paper 125V 20%
C48		Capacitor - .005 mfd paper 125V 10%	C114		Capacitor - .01 mfd paper 125V 20%
C51		Capacitor - 400 mmf paper 125V 2.5%	C117		Capacitor - .01 mfd paper 500V 20%
C52		Capacitor - Trimmer - 16-534 mmf	C119		Capacitor - .015 mfd paper 500V 20%
C53		Capacitor - 300 mmf 125V 20%	C124		Capacitor - 50 mfd paper
C57		Capacitor - .1 mfd	C126		Capacitor - .005 mfd paper 500V 20%
C60		Capacitor - .005 mfd	C127		Capacitor - 2500 mmf paper 500V 20%
			C130	Pt of S-20916	Capacitor - Electrolytic - 4 mfd

\* Indicates New Stock Items. Only items listed under stock numbers are available as Replacement Parts.

All parts subject to change or withdrawal without notice.

## REPLACEMENT PARTS MODEL 5QR75X (Cont'd)

Insist on Genuine Factory Tested Parts, which are readily identified and may be purchased from Authorized Dealers.

SYMBOL	STOCK NO.	DESCRIPTION	SYMBOL	STOCK NO.	DESCRIPTION
C131	S-20916	Capacitor - Electrolytic - 50 mfd	R116		Resistor - .025 megohm 1/3W 10%
C132	S-20916	Capacitor - Electrolytic - 50 mfd	R118		Resistor - .025 megohm 1/3W 10%
	*S-20918	Capacitor - Gang Capacitor	R125		Resistor - 350 ohms 1 W 10%
L3	*S-20902	Coil - Antenna - SWIII coil	R128		Resistor - .01 megohm 1/2W 10%
L4	*S-20901	Coil - Antenna - SWII coil	R129		Resistor - .0025 megohm 1/2W 10%
L5	*S-20900	Coil - Antenna - SWI coil	R134		Resistor - 500 ohms 2W 10%
L6		Coil - Antenna "A" Band Coil		*S-21203	Switch - Antenna Switch
L7		Coil - Antenna - Ferrite Rod Coil - on Ferrite Rod	S120	*S-20857	Switch - Voltage Selector Switch
L8	*S-20897	Coil - Antenna - "X" Band Coil	S121	*S-21208	Switch - AC Power Switch
L24	*S-20913	Coil - IF Wave Trap	T1	*S-20917	Transformer - 1st IF Transformer
L37	*S-20907	Coil - RF - SWIII Coil	T2	*S-20917	Transformer - 2nd IF Transformer
L38	*S-20906	Coil - RF - SWII Coil	T3	*S-20919	Transformer - Audio Output Transformer
L39	*S-20905	Coil - RF - SWI Coil	T4	*S-20915	Transformer - Power Transformer
L40	*S-20904	Coil - RF "A" Band Coil			
L41	*S-20903	Coil - RF - "X" Band Coil			
L64	*S-20912	Coil - Oscillator - SWIII Coil			<b>SPEAKER ASSEMBLY</b>
L65	*S-20911	Coil - Oscillator - SWII Coil		*S-20923	Speaker - 5" x 9" Dynamic Speaker Complete with cone and voice coil
L66	*S-20910	Coil - Oscillator - SWI Coil			
L67	*S-20909	Coil - Oscillator - "A" Band Coil			
L69	*S-20908	Coil - Oscillator - X - Band Coil		*S-20924	Speaker - Tweeters (2 required)"
L55	*S-20914	Coil - Filament Choke			<b>MISCELLANEOUS DESCRIPTION</b>
R12		Resistor - .01 Megohm 1/3W 10%	S-21204		Antenna - Ferrite Antenna Ass'y
R21		Resistor - 1 Megohm 1/3W 10%	S-20874		Bezel - Tuning Indicator Bezel
R23		Resistor - .06 Megohm 1W 10%	*S-20861		Cabinet - Wood Cabinet
R30		Resistor - .005 Megohm 1/3W 10%	S-20888		Cloth - Grille Cloth for tweeters
R32		Resistor - .001 Megohm 1/3W 10%	*S-20852		Cover - Back Cover
R33		Resistor - .001 Megohm 1/3W 10%	S-4313		Cord - Dial Cord (Standard)
R34		Resistor - 500 ohms 1/3W 10%	*S-20869		Emblem - "RCA" Decal
R36		Resistor - 1500 ohms 1/3W 10%	*S-21206		Fuse - 1 Amp. Fuse
R42		Resistor - .002 Megohm 1/3W 10%	*S-21197		Gear - Scissor-Backelite tuning gear
R49		Resistor - 1 Megohm 1/3W 10%	*S-21196		Gear - Metal Tuning Gear
R50		Resistor - 30 ohms 1/4W 10%	*S-20865		Grille - Grille Cloth and Baffle Brand
R54		Resistor - 1 megohm 1/3W 10%	*S-21205		Indicator - Tone and Treble Indicator
R56		Resistor - 1 megohm 1/3W 10%	*S-21195		Knob Ass'y - Pushbutton Knobs - (7 reg'd)
R58		Resistor - .02 megohm 1/3W 10%	*S-20879		Knob Ass'y - Ferrite Antenna Knob
R59		Resistor - 100 ohms 1/3W 10%	*S-20877		Knob Ass'y - Tone Knob (2 reg'd)
R61		Resistor - .001 megohms 1/3W 10%	*S-20875		Knob Ass'y - Tuning Control Knob (onter knob)
R62		Resistor - .001 megohms 1/3W 10%	*S-20876		Knob Ass'y - Tuning & Volume Control knob
R74		Resistor - .03 megohms 2W 10%	S-20868		Mask - Speaker Mask
R85		Resistor - 1 megohm 1/3W 10%	S-20862		Mask - Right Hand Mask
R86		Resistor - 1 megohm 1/3W 10%	S-20863		Mask - Left Hand Mask
R88		Resistor - 1 megohm 1/3W 10%	*S-20858		Pointer - Dial Pointer
R90		Resistor - .25 megohms 1/2W 10%	S-21199		Pulley - Tuning Cable Pulley
R91		Resistor - 2.5 megohms 1/3W 10%	S-21200		Pulley - Tuning Cable Pulley
R96		Resistor - 1 megohm 1/3W 10%	S-21201		Pulley - Small Pulley for Ant. & Tone indicator
R98		Resistor - .4 megohm 1/3W 10%	*S-20851		Scale - Dial Scale
R99		Resistor - 10 Megohm 1/3W 10%	*S-21202		Shaft - Antenna Shaft Ass'y
R102	*S-20920	Control - Volume - 1.3 megohm	*S-21198		Shaft - Tuning Shaft & Flywheel ass'y
R103		Resistor - .5 megohm 1/3W 10%	*S-21209		Shield - Tube Shield for 6X4
R104		Resistor - .1 megohm 1/3W 10%	*S-21210		Shield - Tube Shield for 6AQ5
R106	*S-20921	Control - Treble - 1 megohm	*S-20881		Socket - Tube socket
R109		Resistor - .4 megohm 1/3W 10%	*S-20880		Socket - Magic eye socket
R110		Resistor - .1 megohm 1/3W 10%	*S-21207		Spring - Pushbottom return spring
R111		Resistor - .001 megohm 1/3W 10%	*S-20870		Strips - Brass strip literal
R113	*S-20922	Control - Tone - 6 megohm	*S-20872		Strip - Middle brass strip
R115		Resistor - .015 megohm 1/3W 10%	*S-21208		Switch - AC Switch Ass'y

\* Indicates New Stock Items. Only items listed under stock numbers are available as Replacement Parts.

All parts subject to change or withdrawal without notice.