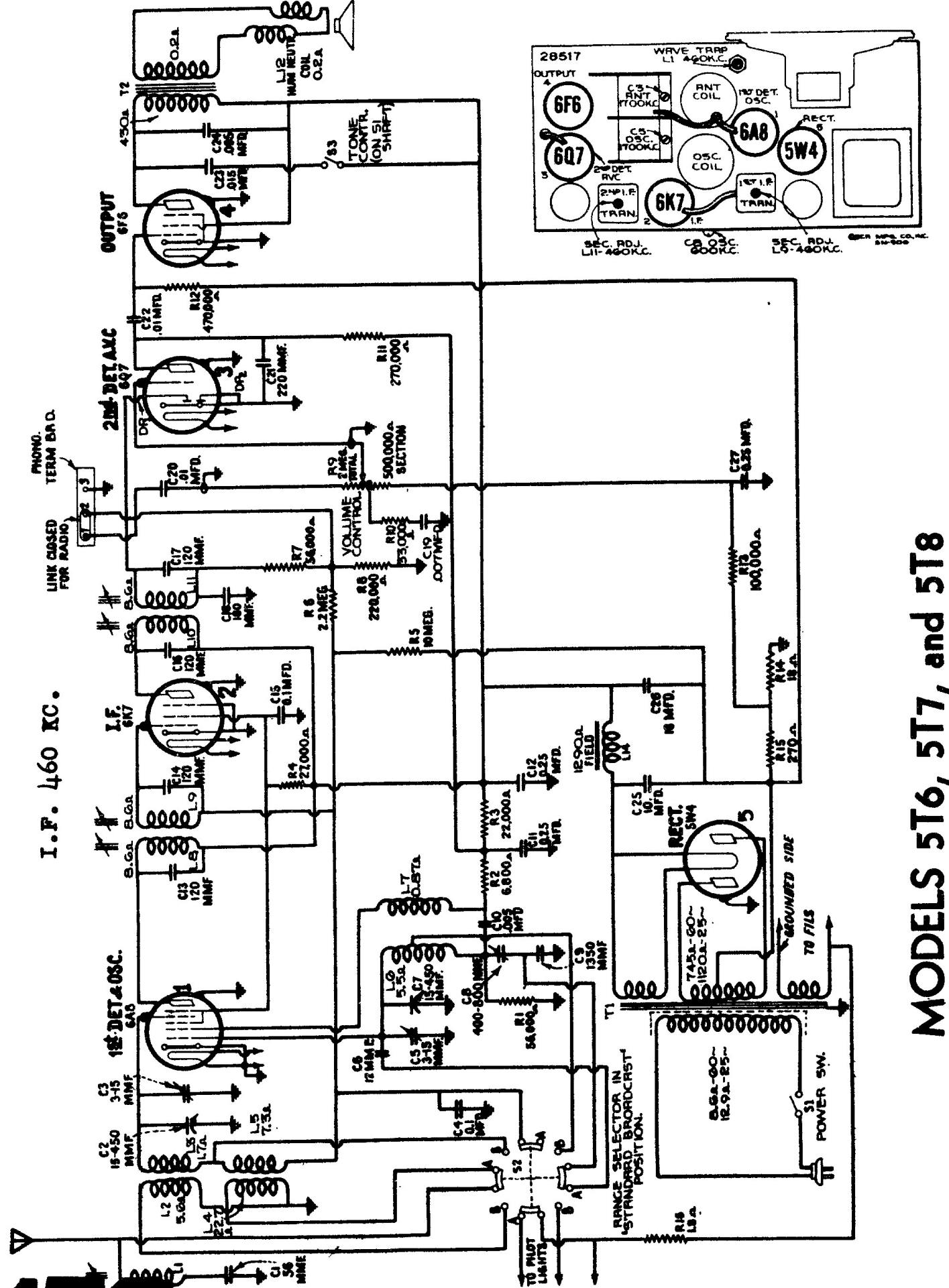


MANUAL OF MOST-OFTEN-NEEDED RADIO DIAGRAMS



I.F. 460 KC.

MODELS 5T6, 5T7, and 5T8