

Power Adaptor Unit MODEL RK-198 SERVICE DATA

— 1955 No. 43 —

PREPARED BY COMMERCIAL SERVICE SECTION
RCA SERVICE CO., INC.
CAMDEN 8, N. J.

FOR
RADIO CORPORATION OF AMERICA
RCA VICTOR RADIO AND "VICTROLA" DIVISION

SPECIFICATIONS

POWER INPUT

115 volts, 60 cycles, a.c.7 watts

DIMENSIONS (overall—less cables)

Height, 3¼" Width, 3⅞" Length, 11¼"
Output cable length—approximately 15 inches

POWER OUTPUT

"A"1.3 volts, d.c. at 250 ma.
"B"90 volts, d.c. at 12 ma.
"Phono"5.6 volts, d.c. at 25 ma.

WEIGHT2 lb. 10 oz.

DESCRIPTION

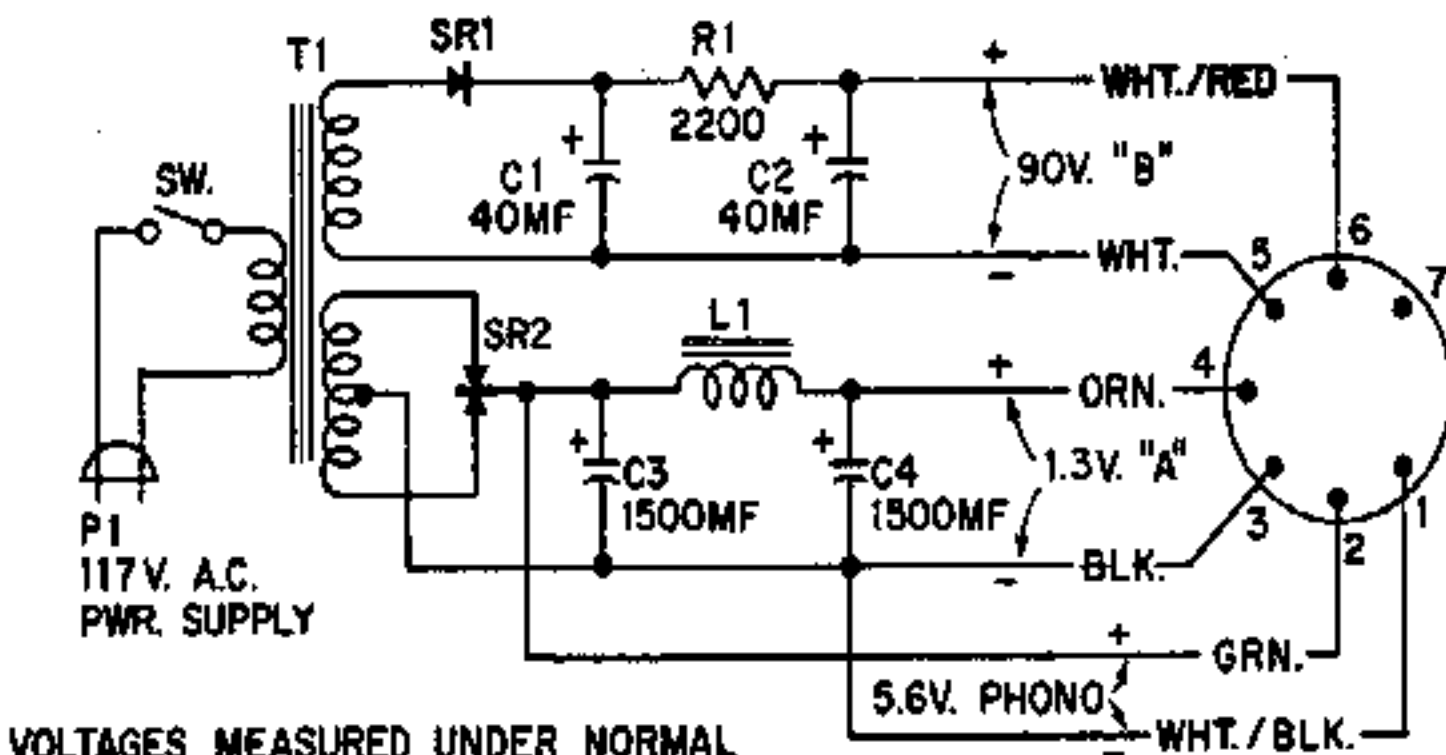
Power adaptor Model RK-198 was designed specifically for use with RCA Victor Models 6-BY-4A and 6-BY-4B. Use of this adaptor will permit operation of these radio-phonographs from a 105 to 125 volt 60 cycle power line.

A cable and socket is used to connect the power adaptor to a receptacle at the back of the radio-phonographs.

For power-line operation, the AC-BATTERY switch of the radio-phonographs is turned to "AC" and the POWER-VOLUME CONTROL turned "ON." The "ON-OFF" switch on the power adaptor should be used to control application of power.

REPLACEMENT PARTS

SYMBOL NO.	STOCK NO.	DESCRIPTION
C1, C2	101768	Capacitor—Electrolytic, 40/40 mf., 150 v.
C3, C4	101769	Capacitor—Electrolytic, 1500 mf., 10 v.
L1	101772	Reactor—Filament filter reactor
P1	70392	Cord—AC power cord
R1	512222	Resistor—Fixed, composition, 2200 ohms, ±10%, 1 w.
SR1	101770	Rectifier—Selenium rectifier for "B" supply
SR2	101771	Rectifier—Selenium rectifier for phono motor and filament supply
SW	101774	Switch—"On-Off" switch (S.P.S.T. slide type)
T1	101773	Transformer—Power transformer
	101778	Connector—7 contact female connector for power cable
	101775	Escutcheon—Heat relief escutcheon with grille
	101776	Escutcheon—Switch escutcheon
	101777	Foot—Rubber foot for case
	101409	Nameplate—"RCA Victor" nameplate
	73203	Nut—Speednut, retainer for nameplate (3 req'd)



VOLTAGES MEASURED UNDER NORMAL LOAD— SHOULD HOLD WITHIN ±20% WITH 105V. TO 125V. A.C. LINE VOLTAGE.

Schematic Diagram

APPLY TO YOUR RCA DISTRIBUTOR
FOR PRICES OF REPLACEMENT PARTS