

# MANUAL OF 1939 MOST POPULAR SERVICE DIAGRAMS

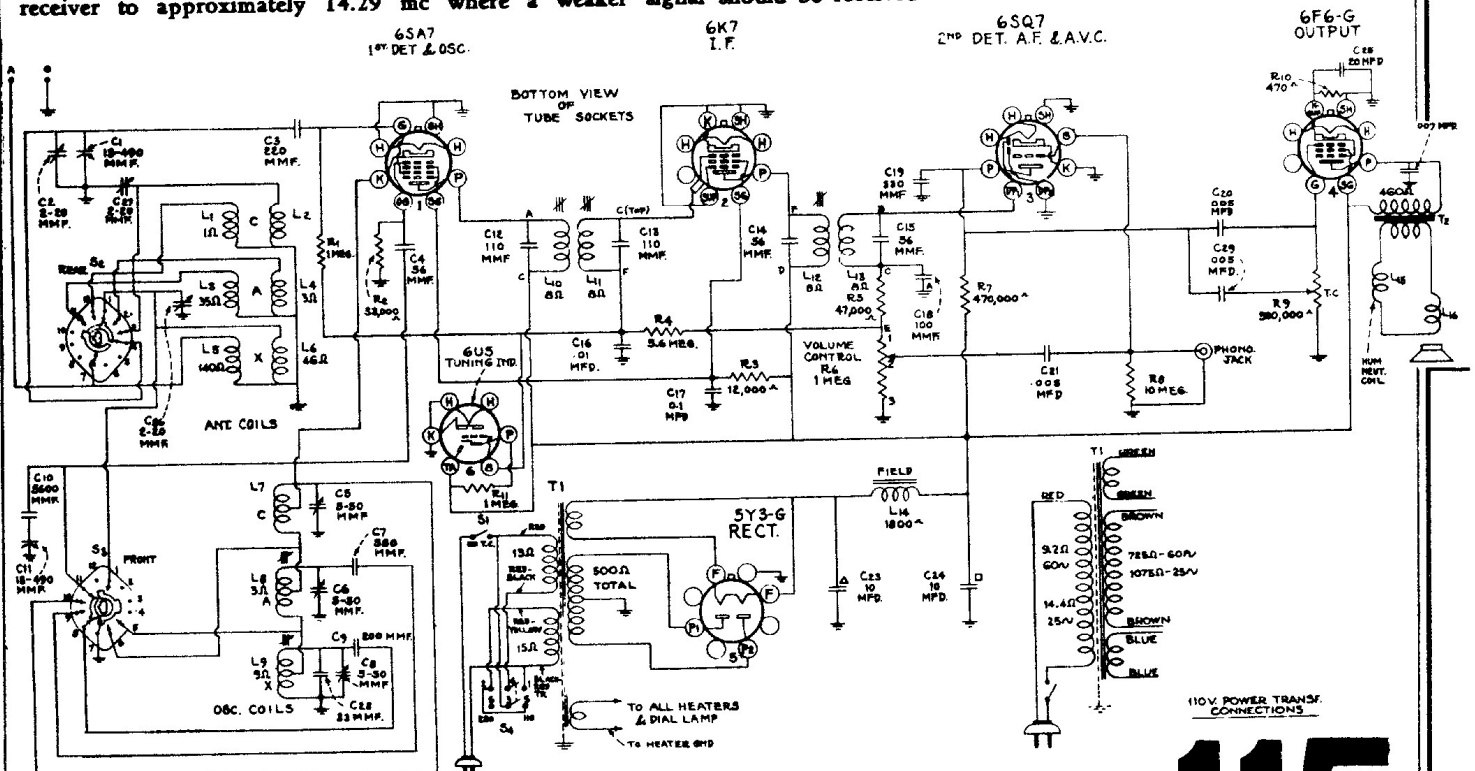
## RCA Victor

## MODEL 6Q8

Chassis No. RC-414B

Steps	Connect the high side of the test-osc. to—	Tune test-osc. to—	Turn radio dial to—	Adjust the following for max. peak output
1	6K7 I-F grid cap in series with .01 mfd.	455 kc	"A" Band Quiet Point between 550-750 kc	L12 and L13 (2nd I-F Trans.)
2	6SA7 det. grid in series with .01 mfd.	455 kc		L10 and L11 (1st I-F Trans.)
3	Ant. terminal in series with 200 mmf.	1,500 kc	1,500 kc (152.4°) "A" Band	C6 (osc.) C2 (ant.)
4	Ant. terminal in series with 200 mmf.	600 kc	600 kc (33°) "A" Band	L8 (osc.) Rock Gang
5	Repeat steps 3 and 4			
6	Ant. terminal in series with 200 mmf.	360 kc	360 kc (151.5°) "X" Band	C8 (osc.) C26 (ant.)
7	Ant. terminal in series with 200 mmf.	175 kc	175 kc (53.3°) "X" Band	L9 (osc.) Rock Gang
8	Repeat steps 6 and 7			
9	Ant. terminal in series with 300 ohms	15.2 mc	15.2 mc (147.3°) "C" Band	C5 (osc.)* C27 (ant.)
10	Ant. terminal in series with 200 mmf.	360 kc	360 kc (151.5°) "X" Band	C8 (osc.)
11	Ant. terminal in series with 200 mmf.	1,500 kc	1,500 kc (152.4°) "A" Band	C6 (osc.)

\*Use minimum capacity peak if two can be obtained. Check to determine that C5 is adjusted to correct peak by tuning receiver to approximately 14.29 mc where a weaker signal should be received.



RANGE SWITCH VIEWED FROM FRONT AND SHOWN IN "X" BAND (MAX. COUNTER CLOCKWISE) POSITION.

COMPILED BY M. N. BEITMAN, SUPREME PUBLICATIONS

# 115