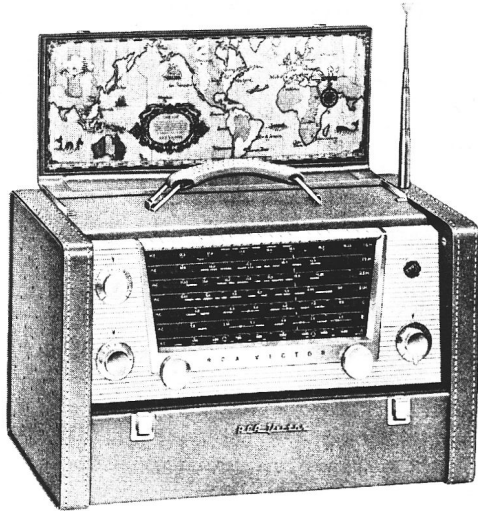




RCA VICTOR



Model 7-BX-10
The "Strato-World II"
Simulated Tan Leather

AC-DC-Battery 7 Band Portable Receiver

Model 7-BX-10 SERVICE DATA

— 1956 No. 14 —

ISSUED BY
GENERAL SERVICE DEPARTMENT
RCA VICTOR COMPANY, LTD.
MONTREAL, CANADA

Electrical & Mechanical Specifications

TUNING RANGES

Standard Broadcast "A" Band	540-1600 kc
"B" Band	2.0-4.0 mc
"C" Band	4.0-8.0 mc
31 Meter Spread Band	9.45- 9.85 mc
25 Meter Spread Band	11.55-12.05 mc
19 Meter Spread Band	14.90-15.50 mc
16 Meter Spread Band	17.50-18.20 mc

INTERMEDIATE FREQUENCY455 kc

POWER SUPPLY RATING

115 volts, d.c., or 25 to 60 cycles a.c.20 watts
or

Battery Operationusing RCA VS047 Battery
Battery voltage "A" 9 volts, "B" 90 volts
Battery current "A" 56 ma., "B" 14.5 ma.

or

230 volts d.c., or 25 to 60 cycles a.c. using
RK-186 Converter Accessory

TUBE COMPLEMENT

(1) RCA 1U4	R.F. Amplifier
(2) RCA 1L6	Converter
(3) RCA 1U4	I.F. Amplifier
(4) RCA 1U5	Det.-AVC-1st A.F.
(5) RCA 3V4	Output

A ballast tube (Type 50A1) and a selenium rectifier are also used.

LOUDSPEAKER

Size and Type5¼ in P.M.
Voice coil impedance3.2 ohms at 400 cycles

POWER OUTPUT

Undistorted220 milliwatts
Maximum420 milliwatts

TUNING DRIVE RATIO7:1 (3½ turns of knob)

WEIGHT (APPROXIMATE)

Less Battery16 lbs.
With Battery (RCA VS047)23 lbs.

DIMENSIONS (OVERALL)

Height 11½ in. Width 17½ in. Depth 8 in.

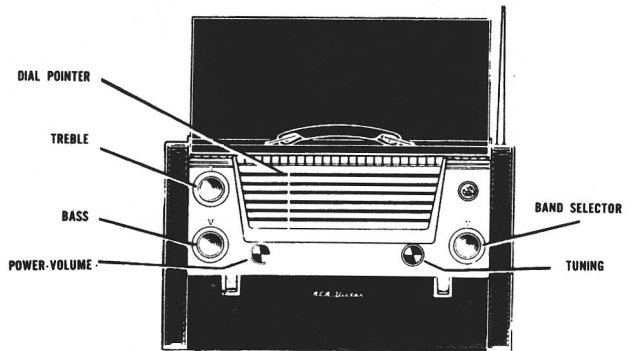
Operating Instructions

Rotate POWER-VOLUME knob to right until a click is heard, and advance for about half a turn. Rotate BAND SELECTOR knob until desired band marking on knob is directly beneath the triangle. To obtain reception on any one of the six Short Wave bands, the telescopic rod antenna must be used. See instructions under "General Information." Rotate TUNING knob until dial pointer indicates desired frequency marking on the desired band. Rotate TREBLE and BASS tone control knobs as desired. Treble tone increases as TREBLE knob is rotated clockwise. BASS tone increases as BASS knob is rotated counterclockwise.

Headphones—A "PHONES" receptacle, for connection of headphones, is located on the rear of the chassis. Should individual listening be desired, any standard headphone set with standard plug may be inserted, automatically disconnecting the speaker.

Ground Terminal—A terminal for ground connection is located on the rear of the chassis. To improve reception in

weak-signal areas, connect a ground wire from this terminal ("GND") to a cold-water pipe, or other suitable ground. A ground connection is not necessary when operating on power line.



Circuit Description

This seven band portable instrument is a sensitive three-way receiver designed to operate from an AC or DC power source, or from a self-contained battery pack. A ballast tube is used to compensate for wide variations in power line voltage. With the addition of an RK-186 converter, the receiver may be operated on 210-250 volts AC or DC. A chassis jack is provided for this converter.

The receiver incorporates a 7 band tuner covering the broadcast band "A band"; two short wave bands, 2-4 mc, and 4-8 mc. "B and C bands"; also four short wave spread bands, 31, 25, 19, and 16 meters. The superheterodyne circuit is used with a tuned R.F. stage preceding the pentagrid converter on all bands; one I.F. stage; a combined AVC, detector, and A.F. stage; and a power amplifier stage. A selenium rectifier is used.

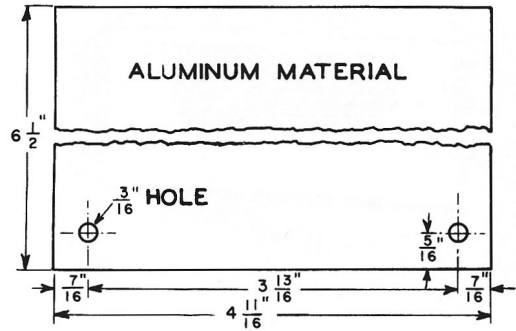
R.F. tuning is done by means of a ganged six section variable capacitor. Three large sections are used for the A, B, and C bands with series tracking capacitors. Also three small 3 plate sections for electrical band spread are used on the four spread bands. The tuner, including the function switch, coil and trimmer assembly, R.F. and converter tubes and gang capacitor, is a completely detachable unit featuring high efficiency with small physical size. The special design permits access to the coil and trimmer adjustments from the rear.

A headphone jack is located on the chassis rear apron for individual listening. This jack automatically disconnects the speaker when the headphone plug is inserted. The slide rule type dial includes 7 separate scales on a slotted escutcheon to provide speaker openings. Continuously variable treble and bass tone controls are provided. This receiver features 3 separate antenna systems. A large flat loop built within the hinged lid includes a primary for external antenna connection, when desired. A Ferrite rod antenna with a long cable and provided with suction cups to permit mounting on a window or wall for improved pickup in shielded areas is supplied. The preceding antennas are used only on the standard broadcast band. A telescoping vertical rod antenna is provided for use on all short wave bands.

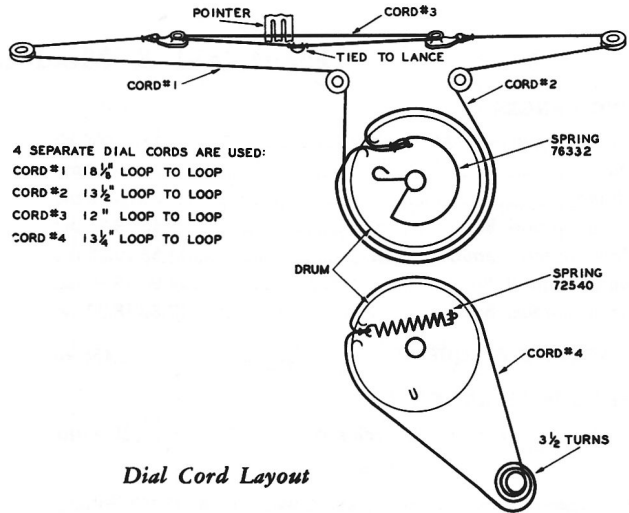
All tubes and the battery may be serviced by opening the hinged back cover. A terminal is provided on the back apron of the cover for an external ground connection, if desired.

Alignment Fixture

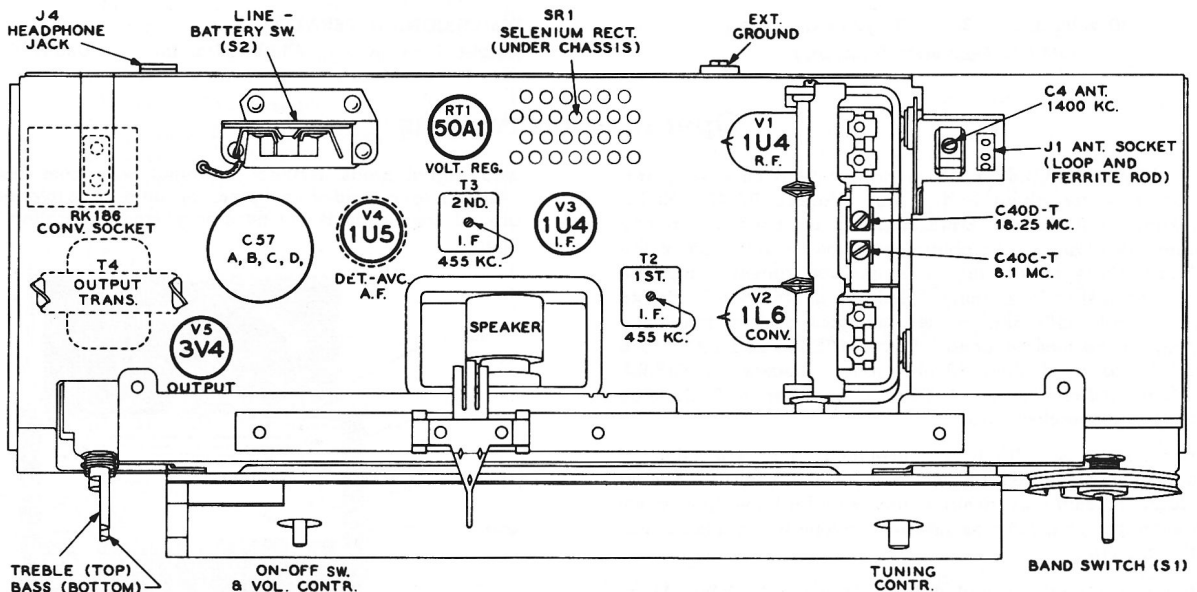
To obtain maximum sensitivity when chassis is reinserted in case after alignment, the alignment fixture shown below should be secured to the tuner side of the chassis during alignment to simulate the effect of the case. The sheet metal clips and hardware on the dust cover base may temporarily be used to hold the fixture to the chassis.



Alignment Fixture



Dial Cord Layout



Chassis Top View

General Information

AC-DC OPERATION

For 105 to 125 volts, 25-60 cycles AC or 105 to 125 volts DC operation—Be sure that the power line used has the correct voltage and frequency before turning on the receiver. Open case back, remove power cord plug from chassis socket, and insert in outlet. Feed power cord through the notch on the lower right side of the case back.

RK-186 VOLTAGE CONVERTER

For 210 to 250 volts, 25-60 cycles AC or 210 to 250 volts DC operation—Pull open case back and remove L-shaped metal bracket held by single self-tapping screw located between headphone jack and power cord. Insert RK-186 Converter in socket provided with metal tab facing to the rear. Secure RK-186 Converter to chassis by replacing screw through tab hole.

BATTERY OPERATION

Installation of Battery Pack—Insert battery cable plug into battery socket, installing battery pack with plug side facing toward the front.

For Battery Operation—Insert polarized power cord plug all the way into the chassis socket. Store excess power cord neatly to the right side of the battery pack. Close case back securely.

CARE OF INSTRUMENT CASE

To best preserve the appearance and serviceability of the instrument case, keep it clean. For this purpose, any mild soap will do, if applied as a lather and the dirt removed with a dry, clean cloth. Abrasives, commercial cleaning fluids, nail polish remover and the like should not be used.

LINE VOLTAGE COMPENSATOR

A Type 50A1 ballast tube is part of the circuit design in this receiver. Use of this tube permits satisfactory operation on line voltages ranging from 90 volts to 130 volts. The ballast tube provides the necessary compensation without the use of switches or manual adjustments.

CHASSIS REMOVAL

1. Turn tuning knob until gang is fully closed.
2. Open cabinet back, pull out battery, and disconnect battery plug.
3. Remove pull-off type volume, tuning, band selector, and tone control knobs.
4. Remove the four machine screws holding the chassis to the case.
5. Disconnect antenna plugs.
6. Pull chassis out and simultaneously slightly downward, to enable dial pointer mechanism to clear top back edge of case.

USE OF ANTENNAS

Built-In Loop—For Standard Broadcast

Contained in the hinged lid of the case, this antenna is in use as long as it remains plugged into the antenna socket. It is possible to improve reception by rotating the receiver.

Ferrite Rod — For Standard Broadcast — Shielded Areas

To improve reception within steel buildings, automobiles, etc., the ferrite rod antenna may be used. Remove loop antenna plug from its socket. Remove ferrite rod antenna from clips inside back cover, unwind wire extension, and insert cable plug into antenna socket. The ferrite rod antenna may be secured on a window in a horizontal position, by pressing the suction cups firmly against the glass. Reception may be improved by changing the position of the antenna.

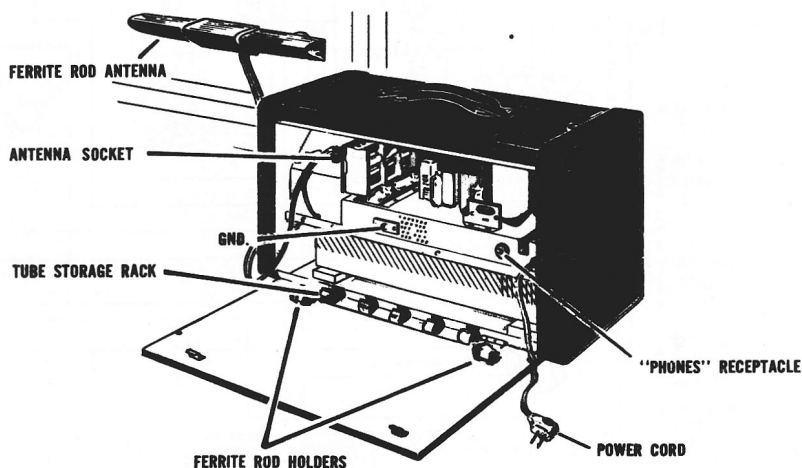
External—For Standard Broadcast—Weak Signal Areas

A terminal for outside antenna connection is located on the hinged lid of the case. Connect a 60 to 100 ft. wire to this terminal and suspend the wire in space, at least 50 feet in a horizontal position.

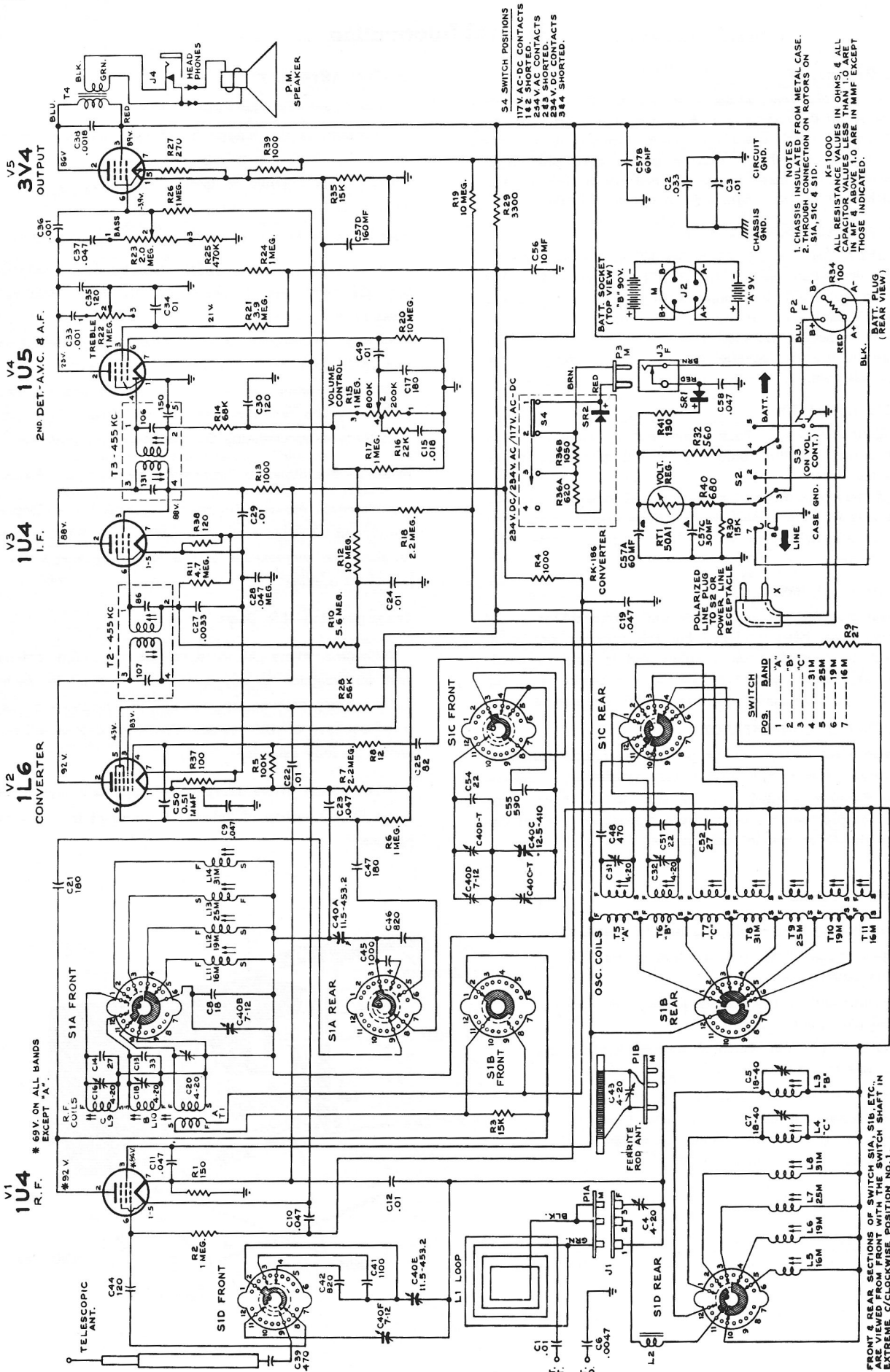
Telescopic Rod—For Short Wave

Concealed within the case on the right, this antenna is used for reception on any one of the six Short Wave bands. To use, grasp antenna top, and pull up antenna sections until a distinct snap or click results. For best reception, all sections should be fully extended.

NOTE: Short Wave reception is impossible unless bottom (Satin Finish) section of antenna is snapped into its elevated position.



Rear View



Schematic Diagram

Alignment Procedure

Output Meter Alignment—If this method is used, connect the meter across the voice coil and turn the receiver volume control to maximum.

Test Oscillator—For all alignment operations, connect the low side of the test oscillator to the receiver chassis and keep the oscillator output as low as possible to avoid AVC action.

Close gang and set dial pointer to mark on dial plate. Turn volume and treble tone controls to maximum clockwise position. Turn bass tone control to maximum counterclockwise position.					
STEP	CONNECT HIGH SIDE OF SIG. GEN. TO—	SIGNAL GEN. OUTPUT	DIAL POINTER SETTING	ADJUST FOR MAXIMUM OUTPUT	
1.	Pin #6 of 1L6 Conv. thru 0.01 mfd.	455 kc	"A" Band Quiet point near 1600 kc	T3 top and bottom cores	
2.				T2 top and bottom cores	
3.	Install bottom cover. Secure aluminum alignment fixture in place. Connect 24 mmfd. in series with 22 ohms between sig. generator lead and C39.				
4.	C39, term. 7 on SID thru dummy load indicated	18.25 mc	16M Band Right hand stop	*C40D-T top of gang	
5.		17.5 mc	16M Band Left hand stop	T11 Osc.	
6.		17.8 mc	16M Band 17.8 mc Signal	Rock gang, —Peak L11 R.F. + L5 Ant.	
7.		14.9 mc	19M Band Left hand stop	T10 Osc.	
8.		15.2 mc	19M Band 15.2 mc Signal	Rock gang, —Peak L12 R.F. + L6 Ant.	
9.		11.55 mc	25M Band Left hand stop	T9 Osc.	
10.		11.8 mc	25M Band 11.8 mc Signal	Rock gang, —Peak L13 R.F. + L7 Ant.	
11.		9.45 mc	31M Band Left hand stop	T8 Osc.	
12.		9.6 mc	31M Band 9.6 mc Signal	Rock gang, —Peak L14 R.F. + L8 Ant.	
13.		8.1 mc	"C" Band Right hand stop	*C40C-T top of gang. C16 R.F. C7 Ant.	
14.		3.9 mc	"C" Band Left hand stop	T7 Osc. L9 R.F. L4 Ant.	
15.		Repeat steps 13 and 14 until maximum gain is obtained.			
16.		4.05 mc	"B" Band Right hand stop	C32 Osc. C18 R.F. C5 Ant.	
17.		1.97 mc	"B" Band Left hand stop	T6 Osc. L10 R.F. L3 Ant.	
18.	Repeat steps 16 and 17 until maximum gain is obtained. Remove alignment fixture and install chassis in cabinet. Plug in loop cable.				
19.	Short length of wire near receiver	1620 kc	"A" Band Right hand stop	C31 Osc.	
20.		1400 kc	"A" Band 1400 kc Signal	C20 R.F. C4 Ant.	
21.		600 kc	"A" Band 600 kc Signal	Rock gang, —Peak T5 Osc. trans., + T1 R.F.	
22.	Repeat steps 19, 20 and 21 until maximum gain is obtained. Exchange loop antenna plug with external Ferrite Rod antenna plug. Extend cable to maximum.				
23.	1400 kc	"A" Band 1400 kc Signal	C43 Ferrite Rod Ant.		

*The tuning range and dial calibration of the succeeding bands depend upon the accuracy of this adjustment. Avoid aligning on image. The local oscillator is 455 kc higher in frequency than the RF on all bands.

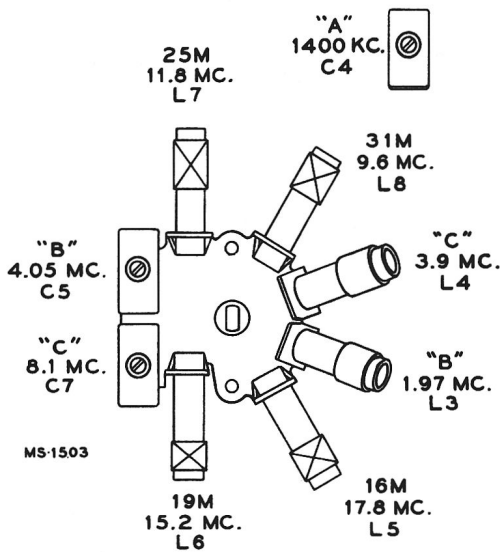
Battery operation of the receiver is preferable during alignment; on AC operation, an isolation transformer (117v./117v.) may be necessary for the receiver if the test oscillator is also AC operated.

Critical Lead Dress

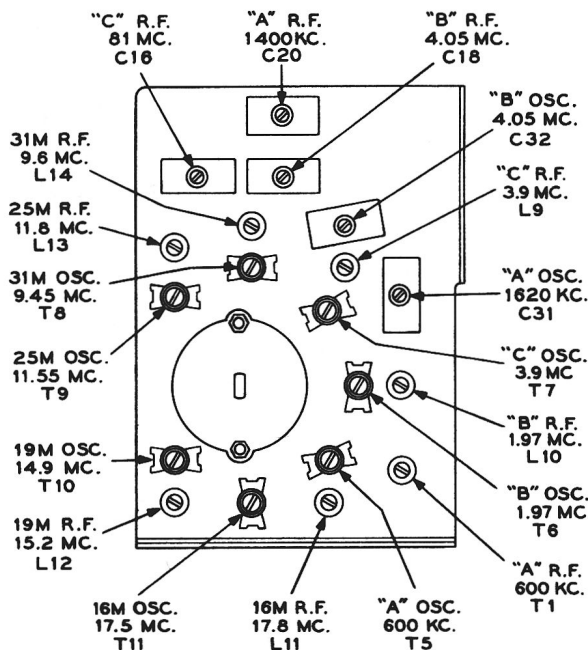
1. Dress all filament leads next to chassis.
2. Use short pigtail leads on all by-pass and coupling capacitors associated with R.F. circuits.
3. Dress gang condenser leads direct and short as possible to switch without strain.
4. Connect neutralizing capacitor C50, 0.51 MMFD across converter socket with short leads and away from other components.
5. Dress power line compensator resistor to clear surrounding components and bottom cover.
6. Dress coil pigtail leads away from each other and from coils.
7. Dress blue converter plate lead down to base.
8. Dress volume control leads down to base.

CAUTION—

Do not remove any tubes from the chassis with the set operating and the plug connected to the power line. Damage to tubes may result.



Tuner Adjustment Locations—Antenna



Tuner Adjustment Locations—Oscillator and R. F.

Insist on Genuine Factory Tested Parts, which are readily identified and may be purchased from Authorized Dealers.

Symbol No.	Stock No.	DESCRIPTION	Symbol No.	Stock No.	DESCRIPTION
CHASSIS ASSEMBLY			C51	33101	Capacitor—Fixed, ceramic, 22 mmf., $\pm 10\%$, 500 v.
C1	73960	Capacitor—Fixed, ceramic, 0.01 mf., ± 100 -0%, 500 v.	C52	72570	Capacitor—Fixed, ceramic, 27 mmf., $\pm 10\%$, 500 v.
C2	73552	Capacitor—Fixed, paper, 0.033 mf., $\pm 10\%$, 400 v.	C54	33101	Same as C51
C3	73960	Same as C1	C55	74929	Capacitor—Fixed, mica, 590 mmf., $\pm 2\%$, 500 v.
C4	78130	Capacitor—Adjustable, mica, 4-20 mmf.	C56	78145	Capacitor—Electrolytic, 10 mf., ± 150 -10%, 150 v.
C5	78132	Capacitor—Adjustable, mica, 20-50 mmf.	C57A to C57D Incl.	78095	Capacitor—Electrolytic, 60/60/30/160 mf., 350/150/150/25 v.
C6	73920	Capacitor—Fixed, paper, 0.0047 mf., $\pm 20\%$, 600 v.	C58	73592	Capacitor—Fixed, paper, 0.047 mf., $\pm 20\%$, 600 v.
C7	78132	Same as C5	J1	78133	Connector—3 contact polarized female connector for antenna leads
C8	78138	Capacitor—Fixed, ceramic, 18 mmf., $\pm 10\%$, 500 v.	J2	—	Part of battery
C9, C10	73558	Capacitor—Fixed, paper, 0.047 mf., $\pm 20\%$, 200 v.	J3	71040	Connector—2 contact female connector for RK-186 converter
C11	73553	Capacitor—Fixed, paper, 0.047 mf., $\pm 20\%$, 400 v.	J4	7903	Jack—Earphone jack
C12	73960	Same as C1	L1	102036	See "MISCELLANEOUS"
C13	78140	Capacitor—Fixed, ceramic, 33 mmf., $\pm 10\%$, 500 v.	L2	78129	Coil—Loading coil
C14	78141	Capacitor—Fixed, ceramic, 27 mmf., $\pm 10\%$, 500 v.	L3	78123	Coil—Antenna coil—"B" band
C15	58476	Capacitor—Fixed, paper, 0.018 mf., $\pm 10\%$, 400 v.	L4	78124	Coil—Antenna coil—"C" band
C16	78130	Same as C4	L5	78128	Coil—Antenna coil—16 meter band
C17	78139	Capacitor—Fixed, ceramic, 180 mmf., $\pm 10\%$, 500 v.	L6	78127	Coil—Antenna coil—19 meter band
C18	78130	Same as C4	L7	78126	Coil—Antenna coil—25 meter band
C19	73553	Same as C11	L8	78125	Coil—Antenna coil—31 meter band
C20	78130	Same as C4	L9	78118	Coil—R.F. coil—"C" band
C21	78139	Same as C17	L10	78117	Coil—R.F. coil—"B" band
C22	73960	Same as C1	L11	78122	Coil—R.F. coil—16 meter band
C23	73558	Same as C9	L12	78121	Coil—R.F. coil—19 meter band
C24	73960	Same as C1	L13	78120	Coil—R.F. coil—25 meter band
C25	102400	Capacitor—Fixed, ceramic, 82 mmf., $\pm 10\%$, 500 v.	L14	78119	Coil—R.F. coil—31 meter band
C26	73153	Capacitor—Fixed, ceramic, 4 mmf., $\pm 10\%$, 500 v.	PIA, P1B	78177	Connector—3 contact polarized male connector for antenna loop or ferrite rod antenna cable
C27	73795	Capacitor—Fixed, paper, 0.0033 mf., $\pm 10\%$, 600 v.	P2	30567	Connector—4 contact female battery cable connector
C28	73558	Same as C9	R1		Resistor—Fixed, composition, 150 ohms, $\pm 10\%$, $\frac{1}{2}$ w.
C29	73960	Same as C1	R2		Resistor—Fixed, composition, 1.0 megohm, $\pm 10\%$, $\frac{1}{2}$ w.
C30	78142	Capacitor—Fixed, ceramic, 120 mmf., $\pm 10\%$, 500 v.	R3		Resistor—Fixed, composition, 15,000 ohms, $\pm 10\%$, $\frac{1}{2}$ w.
C31, C32	78131	Capacitor—Adjustable, mica, 4-20 mmf.	R4		Resistor—Fixed, composition, 1000 ohms, $\pm 20\%$, $\frac{1}{2}$ w.
C33	75643	Capacitor—Fixed, paper, 0.001 mf., $\pm 20\%$, 600 v.	R5		Resistor—Fixed, composition, 100,000 ohms, $\pm 10\%$, $\frac{1}{2}$ w.
C34	73960	Same as C1	R6		Same as R2
C35	78142	Same as C30	R7		Resistor—Fixed, composition, 2.2 megohm, $\pm 10\%$, $\frac{1}{2}$ w.
C36	75643	Same as C33	R8		Resistor—Fixed, composition, 12 ohms, $\pm 10\%$, $\frac{1}{2}$ w.
C37	73558	Same as C9	R9		Resistor—Fixed, composition, 27 ohms, $\pm 10\%$, $\frac{1}{2}$ w.
C38	102401	Capacitor—Fixed, paper, 0.0018 mf., $\pm 10\%$, 600 v.	R10	31455	Resistor—Fixed, composition, 5.6 megohm, $\pm 10\%$, $\frac{1}{2}$ w.
C39	76992	Capacitor—Fixed, mica, 470 mmf., $\pm 20\%$, 300 v.	R11	30931	Resistor—Fixed, composition, 4.7 megohm, $\pm 10\%$, $\frac{1}{2}$ w.
C40A to C40F Incl.	102038	Capacitor—Variable tuning capacitor	R12		Resistor—Fixed, composition, 10 megohm, $\pm 10\%$, $\frac{1}{2}$ w.
C41	78144	Capacitor—Fixed, mica, 1100 mmf., $\pm 2\%$, 500 v.	R13		Same as R4
C42	78143	Capacitor—Fixed, mica, 820 mmf., $\pm 5\%$, 300 v.	R14		Resistor—Fixed, composition, 68,000 ohms, $\pm 20\%$, $\frac{1}{2}$ w.
C43	75967	Capacitor—Adjustable, mica, 4-20 mmf.	R15	78092	Control—Volume control and "On-Off" switch (S3)
C44	78142	Same as C30	R16		Resistor—Fixed, composition, 22,000 ohms, $\pm 10\%$, $\frac{1}{2}$ w.
C45	39652	Capacitor—Fixed, mica, 1000 mmf., $\pm 10\%$, 300 v.	R17		Same as R2
C46	78143	Same as C42	R18		Same as R7
C47	78139	Same as C17	R19, R20		Same as R12
C48	39644	Capacitor—Fixed, mica, 470 mmf., $\pm 5\%$, 500 v.	R21		Resistor—Fixed, composition, 3.9 megohm, $\pm 10\%$, $\frac{1}{2}$ w.
C49	73561	Capacitor—Fixed, paper, 0.01 mf., $\pm 10\%$, 400 v.	R22	78093	Control—Treble tone control
C50	78137	Capacitor—Fixed, headed lead, 0.51 mf., $\pm 10\%$, 500 v.			

All parts subject to change or withdrawal without notice.
Only items listed under Stock Numbers are available as Replacement Parts.

Replacement Parts

7-BX-10

Insist on Genuine Factory Tested Parts, which are readily identified and may be purchased from Authorized Dealers.

Symbol No.	Stock No.	DESCRIPTION	Symbol No.	Stock No.	DESCRIPTION
R23	78094	Control—Bass tone control		73584	Shield—Tube shield
R24	502510	Same as R2		78134	Socket—Tube socket, 7 pin miniature for V1 and V2
R25	502447	Resistor—Fixed, composition, 470,000 ohms, ±20%, ½ w.		101375	Socket—Tube socket, 7 pin miniature for V5
R26	502510	Same as R2		100474	Socket—Tube socket, 9 pin miniature for RT1 (ballast tube)
R27	502127	Resistor—Fixed, composition, 270 ohms, ±10%, ½ w.		73117	Socket—Tube socket, 9 pin miniature, wafer for V3 and V4
R28	502356	Resistor—Fixed, composition, 56,000 ohms, ±10%, ½ w.		72540	Spring—Dial cord tension spring—0.190 O.D. x ¾" free length
R29	502233	Resistor—Fixed, composition, 3300 ohms, ±10%, ½ w.		76332	Spring—Station selector pointer drive cord spring
R30	502315	Same as R3			SPEAKER ASSEMBLY
R32	512156	Resistor—Fixed, composition, 560 ohms, ±10%, 1 w.		102039	Baffle—Speaker baffle board and grille screen assy., less speaker
R34	502110	Resistor—Fixed, composition, 100 ohms, ±5%, ½ w.		71851	Grommet—Rubber grommet for speaker mounting
R35	502315	Same as R3		78147	Speaker—5¼" P.M. speaker assy. complete with cone and voice coil (3.2 ohms)
R36A, R36B	78302	Part of RK-186 Converter			MISCELLANEOUS
R37	502110	Resistor—Fixed, composition, 100 ohms, ±10%, ½ w.		102036	Lid—Case lid and loop assy.—brown vinyl covering
R38	502112	Resistor—Fixed, composition, 120 ohms, ±10%, ½ w.		78196	Antenna—Ferrite rod antenna
R39	502210	Same as R4		78641	Antenna—Telescopic antenna
R40	102031	Resistor—Fixed, wire wound, 680 ohms, ±5%, 4 w.		78643	Arm—Cabinet lid arm and lead (R.H.) complete with spring and bearing
R41	102025	Resistor—Fixed, wire wound, 130 ohms, ±5%, 5 w.		78644	Arm—Cabinet lid arm and lead (L.H.) complete with spring and bearing
RT1	102684	Tube—Ballast tube, type 50A1	L1	102040	Back—Aluminum back case assy. with catches—brown vinyl covering
S1A to S1D Incl.	78106	Switch—Range switch		78189	Bearing—Case lid bearing (2 required)
S2	38905	Switch—D.P.D.T. battery switch (includes connector—38904)		78158	Bearing—Phenolic tubular bearing for telescopic antenna
S3	78092	Part of R15		78174	Bracket—"U" shape bracket (clevis) for carrying handle links (2 required)
SR1	78101	Rectifier—Selenium rectifier		102029	Bumper—Rubber bumper for case back (2 required)
T1	78116	Coil—R.F. coil—"A" band		102026	Bushing—Nylon bushing for chassis mounting (4 required)
T2	74918	Transformer—1st I.F. transformer		79808	Cable—Ferrite rod antenna cable assembly with 3 contact polarized male connector (P1-B)
T3	73037	Transformer—2nd I.F. transformer		102022	Cap—Plastic cap—brown—for telescopic antenna
T4	78100	Transformer—Output transformer		102318	Case—Aluminum case only—less sides, handle, links, feet, front, lid and back cover assy.—brown covered
T5	78109	Coil—Oscillator coil—"A" band		102034	Case—Case side assy.—L.H.—brown plastic—with suntan vinyl strap
T6	78110	Coil—Oscillator coil—"B" band		102035	Case—Case side assy.—R.H.—brown plastic—with suntan vinyl strap
T7	78111	Coil—Oscillator coil—"C" band		102370	Case—Case only—for ferrite rod antenna—brown plastic
T8	78112	Coil—Oscillator coil—31 meter band		78186	Case—Case back catch—part of case back assy.
T9	78113	Coil—Oscillator coil—25 meter band		78170	Catch—Case lid catch (top and bottom)
T10	78114	Coil—Oscillator coil—19 meter band		78411	Clip—Clip for case catch—bottom (2 required)
T11	78115	Coil—Oscillator coil—16 meter band		78163	Contact—Formed spring clip and contact for telescopic antenna
	72953	Cord—Station selector or band indicator pointer drive cord (250' in spool)		102032	Cover—Bottom cover for ferrite antenna rod
	79351	Cord—Power line cord and plug		78191	Cup—Suction cup for ferrite rod antenna case
	38904	Connector—2 contact female connector (receptacle for line cord) (Part of S2)			
	73935	Clip—I.F. transformer mounting clip			
	78097	Eyelet—Station selector pointer drive cord connecting eyelet			
	16058	Grommet—Rubber grommet for mounting gang capacitor			
	74838	Grommet—Strain relief grommet for power cord			
	102030	Guide—Station selector pointer guide rail and pulley assy.			
	78103	Nut—Speednut (twin type) to fasten pointer bracket			
	18469	Plate—Phenolic mounting plate for electrolytic capacitor			
	78087	Pointer—Station selector pointer			
	102043	Pulley—Drive cord pulley (part of pointer guide rail)			
	102023	Shaft—Tuning control knob shaft			
	78089	Shield—Black phenolic shield for tuner unit			

All parts subject to change or withdrawal without notice.
Only items listed under Stock Numbers are available as Replacement Parts.

