

RCA MFG. CO., INC.

MODEL 9K3
Schematic, Trans. Data
Spkr. Wiring

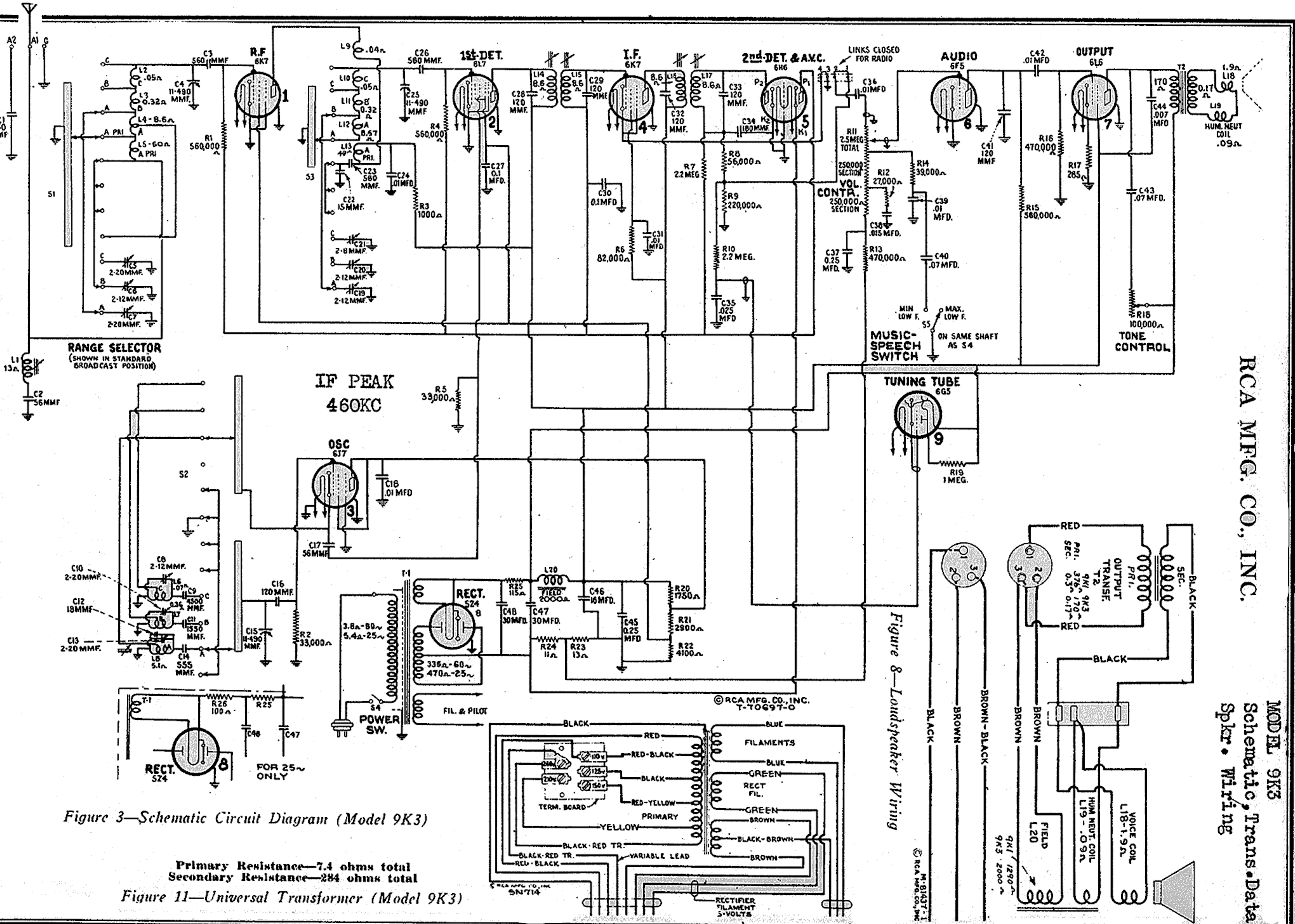


Figure 8—Loudspeaker Wiring

Figure 3—Schematic Circuit Diagram (Model 9K3)

Primary Resistance—7.4 ohms total
Secondary Resistance—284 ohms total

Figure 11—Universal Transformer (Model 9K3)

