

Symbol	Stock	Description	Circuit	Model	TypeCode	Drawing	Notes
0010	263011	MECHANISM TVM 503R1	NEO5 ASY	RTD250		1073946A	DVD MECH ONLY - NO CHANGER COMPONENTS
0010	N/S/P	AC ESABD SMD DSP BOTTOM-SIDE B	DSP BOARD ASY	RTD250		55584950	
0011	263071	CUSHION DVD MECHANISM	NEO5 ASY	RTD250		10741230	
0012	254529	CABLE, 1P 150MM	NEO5 ASY	RTD250		55158710	
0020	255425	CABLE 1P VIDEO YELLOW	INCLUDED ACCESSORIES	RTD250		55139610	
0030	257130	ANTENNA FM	INCLUDED ACCESSORIES	RTD250		55127460	
0040	257094	ANTENNA LOOP AM	INCLUDED ACCESSORIES	RTD250		55208620	
0070	264084	CIRCUIT DSP BD	DSP BOARD ASY	RTD250		55584880	
0090	261386	NIO REMOTE RCR311AAM1	INCLUDED ACCESSORIES	RTD250		21276460	
0110	257177	TUNER, MODULE MV011MA0-3A	CABINET ASY	RTD250		5516112A	
0140	263019	SPEAKER MAIN,CEN.SUR,SUBWOOFER	INCLUDED ACCESSORIES	RTD250		55611760	
05	N/S/P	EVA SHEET DOOR PANEL 3MM*7M	CABINET ASY	RTD250		55784320	
07	263059	FILTER SHEET	CABINET ASY	RTD250		55604550	
1	262972	KNOB VOLUME	CABINET ASY	RTD250		55603040	
10	262967	BUTTON SOURCE	CABINET ASY	RTD250		55602960	
11	262970	HOLDER VFD R	CABINET ASY	RTD250		55603020	
12	262969	HOLDER VFD L	CABINET ASY	RTD250		55603010	
13	262964	BUTTON FUNCTION	CABINET ASY	RTD250		55602910	
14	262961	LIGHTPIPE	CABINET ASY	RTD250		55602850	
15	262963	BUTTON POWER	CABINET ASY	RTD250		55602890	
16	262977	SPRING PULL CD DOOR	CABINET ASY	RTD250		55599990	
17	263056	HOLDER ARM L	CABINET ASY	RTD250		55602980	
18	262978	SPRING ROTATION L	CABINET ASY	RTD250		55600050	
19	262980	SPRING PULL LOCK	CABINET ASY	RTD250		55600250	
2	262960	CRYSTAL DISPLAY	CABINET ASY	RTD250		55602840	
20	N/S/P	PUN BRACKET LOCK	CABINET ASY	RTD250		55604060	
21	262968	HOLDER LOCK	CABINET ASY	RTD250		55603000	
22	262979	SPRING ROTATION R	CABINET ASY	RTD250		55600150	
23	263057	HOLDER ARM R	CABINET ASY	RTD250		55602990	
24	262966	BUTTON RANDOM	CABINET ASY	RTD250		55602950	
25	263065	METAL MAGNET HOLDER-DOWN	CABINET ASY	RTD250		55005690	
26	N/S/P	FELT SHEET 14MM*7MM*0.5MM	CABINET ASY	RTD250		55784120	
27	263063	MAGNET FERRITE DOOR	CABINET ASY	RTD250		55664260	
28	262957	DOOR CD	CABINET ASY	RTD250		55602550	
29	263055	COVER LEFT	CABINET ASY	RTD250		55602800	
3	262962	DOOR PANEL	CABINET ASY	RTD250		55602870	
30	N/S/P	EVA SHEET DOOR CD 4.5MM*7MM	CABINET ASY	RTD250		55784220	
31	N/S/P	SPONGE BK 30MM X 15MM 5MM	CABINET ASY	RTD250		55215930	
32	262959	DOOR CRYSTAL CD	CABINET ASY	RTD250		55602810	
32	258202	RUBBER FOOT	CABINET ASY	RTD250		55267320	
34	262958	FOOT	CABINET ASY	RTD250		55602760	
35	N/S/P	CHASSIS FRONT	CABINET ASY	RTD250		5560409A	
36	N/S/P	CHASSIS BOTTOM	CABINET ASY	RTD250		5560410A	
37	262973	COVER SIDE RIGHT	CABINET ASY	RTD250		55603070	
38	262982	POWER-TRANSFORMER 120V	CABINET ASY	RTD250	S	55589070	
39	N/S/P	PROTECTION SHEET	CABINET ASY	RTD250		55743160	
4	263054	COVER RIGHT	CABINET ASY	RTD250		55602780	
40	262981	FAN	CABINET ASY	RTD250	S	55634450	

Symbol	Stock	Description	Circuit	Model	TypeCode	Drawing	Notes
41	263066	METAL MAGNET HOLDER-UP	CABINET ASY	RTD250		55007040	
42	N/S/P	PUN BRACKET FAN	CABINET ASY	RTD250		55604070	
45	263058	TOROID CORE	CABINET ASY	RTD250		55089730	
46	262975	BACK PANEL	CABINET ASY	RTD250		55604110	
47	N/S/P	SHIELD PLATE	CABINET ASY	RTD250		5560413A	
49	N/S/P	CUSHION SPONGE	CABINET ASY	RTD250		55817340	
50	N/S/P	SUPPORT PLATE NEO5	CABINET ASY	RTD250		55604140	
51	N/S/P	PUN BRACKET NEO5	CABINET ASY	RTD250		55604080	
52	265090	DVD CHANGER/MECH ASSEMBLY	NEO5 ASY	RTD250		55552130	DVD MECH & 5-DISC CHANGER ASSEMBLY
53	262974	COVER SIDE LEFT	CABINET ASY	RTD250		55603080	
54	262976	COVER TOP	CABINET ASY	RTD250		55604120	
54	N/S/P	RAW BUFFER PCB	CABINET ASY	RTD250		55125220	
56	254784	CLAMP AC CORD	CABINET ASY	RTD250		55125180	
57	248190	AC POWER CORD	CABINET ASY	RTD250	S	20865960	
6	262956	CABINET FRONT	CABINET ASY	RTD250		55602440	
8	262971	CRYSTAL SENSOR	CABINET ASY	RTD250		55603030	
9	262965	BUTTON PROGRAM	CABINET ASY	RTD250		55602920	
A31	262305	DRAWER RELAY TRIGGER	NEO5 ASY	RTD250		5555015A	
A32	262306	GEAR DRAWER MAIN	NEO5 ASY	RTD250		5555024A	
A33	262307	GEAR DRAWER STEP	NEO5 ASY	RTD250		5555025A	
A35	262308	GEAR HOOK MAIN	NEO5 ASY	RTD250		5555026A	
A36	262309	GEAR PLCKUP STEP	NEO5 ASY	RTD250		5555027A	
A37	262310	PICKUP UPDOWN CAM	NEO5 ASY	RTD250		5555016A	
A38	262311	PICKUP CHUCKING LEVER	NEO5 ASY	RTD250		5555017A	
A39	262312	HOLDER FRAME	NEO5 ASY	RTD250		5555018A	
A40	262313	GEAR PULLY	NEO5 ASY	RTD250		5555028A	
A41	262314	GEAR RELAY SUB	NEO5 ASY	RTD250		5555029A	
A42	262315	RELAY SUPPORT	NEO5 ASY	RTD250		5555019A	
A43	262316	HOOK CAM BAR LEVER	NEO5 ASY	RTD250		5555020A	
A44	262317	GEAR HOOK STEP	NEO5 ASY	RTD250		5555030A	
A55	262329	SPRING ROD HOOK LATCH	NEO5 ASY	RTD250		5512775A	
A59	262318	GEAR PULLEY RELAY	NEO5 ASY	RTD250		5569211A	
A60	262319	GEAR RELAY STEP	NEO5 ASY	RTD250		5569212A	
A65	262331	SPRING TRIGGER	NEO5 ASY	RTD250		55761430	
A67	262330	SPRING RELAY SUPPORT	NEO5 ASY	RTD250		55761420	
A68	262321	SPIN MOTOR PULLEY	NEO5 ASY	RTD250		55157320	
B01	262252	CAM LEFT	NEO5 ASY	RTD250		5554971A	
B02	262253	CAM RIGHT	NEO5 ASY	RTD250		5554981A	
B03	262254	DRAWER COVER	NEO5 ASY	RTD250		5554982A	
B04	262255	TRAY LOCK BRACKET	NEO5 ASY	RTD250		5554983A	
B05	262256	DRAWER	NEO5 ASY	RTD250		5554984A	
B06	262257	TRAY #1	NEO5 ASY	RTD250		55772720	
B06	262258	TRAY #2	NEO5 ASY	RTD250		55772730	
B06	262259	TRAY #3	NEO5 ASY	RTD250		55772740	
B06	262260	TRAY #4	NEO5 ASY	RTD250		55772750	
B06	262261	TRAY #5	NEO5 ASY	RTD250		55772760	
B08	262280	WING LEFT	NEO5 ASY	RTD250		5554987A	
B09	262281	WING RIGHT	NEO5 ASY	RTD250		5554988A	

Symbol	Stock	Description	Circuit	Model	TypeCode	Drawing	Notes
B10	262282	WING-TOP	NEO5 ASY	RTD250		5554989A	
B11	262283	DISC GUARD	NEO5 ASY	RTD250		5554990A	
B12	262284	TRAY LOCK	NEO5 ASY	RTD250		5554991A	
B13	262325	SPRING DRIVER	NEO5 ASY	RTD250		5555104B	
B14	262326	SPRING DRIVER R	NEO5 ASY	RTD250		5555105B	
B46	262285	WING CAM DRIVER L	NEO5 ASY	RTD250		5554992A	
B47	262286	WING CAM DRIVER R	NEO5 ASY	RTD250		5554993A	
B48	262287	LOCK CAM SLIDER RIGHT	NEO5 ASY	RTD250		5554994A	
B49	262288	LOCK RIGHT	NEO5 ASY	RTD250		5554995A	
B50	262289	WING C DRIVER L	NEO5 ASY	RTD250		5554996A	
B51	262290	WING C DRIVER R	NEO5 ASY	RTD250		5554997A	
B52	262291	WING LOCK	NEO5 ASY	RTD250		5554998A	
B53	262328	SPRING TRAY LOCK IND PLATE	NEO5 ASY	RTD250		5555107A	
B54	262320	BASE	NEO5 ASY	RTD250		5555021A	
B61	262327	SPRING DISC GUARD	NEO5 ASY	RTD250		5555106A	
BELT	262334	BELT SIZE 26.5X1.5X1.5	NEO5 ASY	RTD250		55784020	
C101	256811	CAPCC .047UF 50V Y5V	FRONT BOARD ASY	RTD250		20288010	
C101	253796	CAPCC .1UF 10% 16V	I/O BOARD ASY	RTD250		20947390	
C101	262521	CAP LYTC 47UF 20% 50V 85C	DRIVER BOARD ASY	RTD250		20269010	
C101	245221	CAPCD 4700PF K 250V	TRANSFORMER BD ASY	RTD250	S	20677520	
C101	244072	CAPCC 4.7NF +/-10% 50V	DSP BOARD ASY	RTD250		10138710	
C101	244072	CAPCC 4.7NF +/-10% 50V	MAIN BOARD ASY	RTD250		10138710	
C102	256811	CAPCC .047UF 50V Y5V	FRONT BOARD ASY	RTD250		20288010	
C102	253796	CAPCC .1UF 10% 16V	I/O BOARD ASY	RTD250		20947390	
C102	262994	CAP CD 100NF +80% -20% 50V	DRIVER BOARD ASY	RTD250		20293470	
C102	189981	CAP LYTC 10UF M 50V	DSP BOARD ASY	RTD250		20268880	
C103	262521	CAP LYTC 47UF 20% 50V 85C	FRONT BOARD ASY	RTD250		20269010	
C103	260632	CAP LYTC 100UF +20% 16.0V 85C	I/O BOARD ASY	RTD250		20269020	
C103	249352	CAPLYTC 220UF 20% 16V 85C	DRIVER BOARD ASY	RTD250		20252650	
C103	249349	CE 4.7UF 20% 50V 85C	MAIN BOARD ASY	RTD250		20268870	
C103	262526	CAP LYTC 470UF 20% 25V 85C	TRANSFORMER BD ASY	RTD250		20269190	
C103	249036	CAPCC 220PF J NPO 50V	DSP BOARD ASY	RTD250		20506640	
C104	260632	CAP LYTC 100UF +20% 16.0V 85C	FRONT BOARD ASY	RTD250		20269020	
C104	260632	CAP LYTC 100UF +20% 16.0V 85C	I/O BOARD ASY	RTD250		20269020	
C104	263012	CAP CD 100PF 10% 50V Y5P	DRIVER BOARD ASY	RTD250		20936650	
C104	249336	CAPCC 1NF 10% 50V X7R	DSP BOARD ASY	RTD250		10138550	
C104	249349	CE 4.7UF 20% 50V 85C	MAIN BOARD ASY	RTD250		20268870	
C105	260642	CAPCC 100NF +80% -20% 16V Y5V	FRONT BOARD ASY	RTD250		20288040	
C105	262521	CAP LYTC 47UF 20% 50V 85C	I/O BOARD ASY	RTD250		20269010	
C105	262994	CAP CD 100NF +80% -20% 50V	DRIVER BOARD ASY	RTD250		20293470	
C105	249336	CAPCC 1NF 10% 50V X7R	DSP BOARD ASY	RTD250		10138550	
C105	253714	CAPCC 470PF 5% 50V	MAIN BOARD ASY	RTD250		20506680	
C106	260642	CAPCC 100NF +80% -20% 16V Y5V	FRONT BOARD ASY	RTD250		20288040	
C106	262521	CAP LYTC 47UF 20% 50V 85C	I/O BOARD ASY	RTD250		20269010	
C106	249336	CAPCC 1NF 10% 50V X7R	DSP BOARD ASY	RTD250		10138550	
C106	253714	CAPCC 470PF 5% 50V	MAIN BOARD ASY	RTD250		20506680	
C107	260644	CAP LYTC 47UF +20% 16.0V 85C	FRONT BOARD ASY	RTD250		20342060	
C107	189981	CAP LYTC 10UF M 50V	I/O BOARD ASY	RTD250		20268880	

Symbol	Stock	Description	Circuit	Model	TypeCode	Drawing	Notes
C107	249336	CAPCC 1NF 10% 50V X7R	DSP BOARD ASY	RTD250		10138550	
C107	244072	CAPCC 4.7NF +/-10% 50V	MAIN BOARD ASY	RTD250		10138710	
C108	189981	CAP LYTC 10UF M 50V	I/O BOARD ASY	RTD250		20268880	
C108	189981	CAP LYTC 10UF M 50V	DSP BOARD ASY	RTD250		20268880	
C108	260632	CAP LYTC 100UF +20% 16.0V 85C	FRONT BOARD ASY	RTD250		20269020	
C109	260642	CAPCC 100NF +80% -20% 16V Y5V	FRONT BOARD ASY	RTD250		20288040	
C109	189981	CAP LYTC 10UF M 50V	I/O BOARD ASY	RTD250		20268880	
C109	244072	CAPCC 4.7NF +/-10% 50V	DSP BOARD ASY	RTD250		10138710	
C109	249349	CE 4.7UF 20% 50V 85C	MAIN BOARD ASY	RTD250		20268870	
C110	260642	CAPCC 100NF +80% -20% 16V Y5V	FRONT BOARD ASY	RTD250		20288040	
C110	189981	CAP LYTC 10UF M 50V	I/O BOARD ASY	RTD250		20268880	
C110	189981	CAP LYTC 10UF M 50V	DSP BOARD ASY	RTD250		20268880	
C110	253714	CAPCC 470PF 5% 50V	MAIN BOARD ASY	RTD250		20506680	
C111	262239	CAP LYTC 10UF 20% 50V 85C	FRONT BOARD ASY	RTD250		20342050	
C111	256770	CAP CC 100PF +10% -10% 50V NPO	I/O BOARD ASY	RTD250		10137380	
C111	249036	CAPCC 220PF J NPO 50V	DSP BOARD ASY	RTD250		20506640	
C111	244072	CAPCC 4.7NF +/-10% 50V	MAIN BOARD ASY	RTD250		10138710	
C112	262996	CAP CC 1NF +80% -20% 50V	FRONT BOARD ASY	RTD250		10138750	
C112	256770	CAP CC 100PF +10% -10% 50V NPO	I/O BOARD ASY	RTD250		10137380	
C112	249336	CAPCC 1NF 10% 50V X7R	DSP BOARD ASY	RTD250		10138550	
C113	262996	CAP CC 1NF +80% -20% 50V	FRONT BOARD ASY	RTD250		10138750	
C113	256770	CAP CC 100PF +10% -10% 50V NPO	I/O BOARD ASY	RTD250		10137380	
C113	249336	CAPCC 1NF 10% 50V X7R	DSP BOARD ASY	RTD250		10138550	
C113	249349	CE 4.7UF 20% 50V 85C	MAIN BOARD ASY	RTD250		20268870	
C114	262239	CAP LYTC 10UF 20% 50V 85C	FRONT BOARD ASY	RTD250		20342050	
C114	256770	CAP CC 100PF +10% -10% 50V NPO	I/O BOARD ASY	RTD250		10137380	
C114	249336	CAPCC 1NF 10% 50V X7R	DSP BOARD ASY	RTD250		10138550	
C114	253714	CAPCC 470PF 5% 50V	MAIN BOARD ASY	RTD250		20506680	
C115	260642	CAPCC 100NF +80% -20% 16V Y5V	FRONT BOARD ASY	RTD250		20288040	
C115	256770	CAP CC 100PF +10% -10% 50V NPO	I/O BOARD ASY	RTD250		10137380	
C115	249336	CAPCC 1NF 10% 50V X7R	DSP BOARD ASY	RTD250		10138550	
C115	244072	CAPCC 4.7NF +/-10% 50V	MAIN BOARD ASY	RTD250		10138710	
C116	256818	CAP CC 100PF 50V NPO	FRONT BOARD ASY	RTD250		20506590	
C116	256770	CAP CC 100PF +10% -10% 50V NPO	I/O BOARD ASY	RTD250		10137380	
C116	189981	CAP LYTC 10UF M 50V	DSP BOARD ASY	RTD250		20268880	
C117	256818	CAP CC 100PF 50V NPO	FRONT BOARD ASY	RTD250		20506590	
C117	256770	CAP CC 100PF +10% -10% 50V NPO	I/O BOARD ASY	RTD250		10137380	
C117	244072	CAPCC 4.7NF +/-10% 50V	DSP BOARD ASY	RTD250		10138710	
C117	249349	CE 4.7UF 20% 50V 85C	MAIN BOARD ASY	RTD250		20268870	
C118	256818	CAP CC 100PF 50V NPO	FRONT BOARD ASY	RTD250		20506590	
C118	256770	CAP CC 100PF +10% -10% 50V NPO	I/O BOARD ASY	RTD250		10137380	
C118	189981	CAP LYTC 10UF M 50V	DSP BOARD ASY	RTD250		20268880	
C118	253714	CAPCC 470PF 5% 50V	MAIN BOARD ASY	RTD250		20506680	
C119	260642	CAPCC 100NF +80% -20% 16V Y5V	FRONT BOARD ASY	RTD250		20288040	
C119	249036	CAPCC 220PF J NPO 50V	I/O BOARD ASY	RTD250		20506640	
C119	249036	CAPCC 220PF J NPO 50V	DSP BOARD ASY	RTD250		20506640	
C119	244072	CAPCC 4.7NF +/-10% 50V	MAIN BOARD ASY	RTD250		10138710	
C120	249036	CAPCC 220PF J NPO 50V	I/O BOARD ASY	RTD250		20506640	

Symbol	Stock	Description	Circuit	Model	TypeCode	Drawing	Notes
C120	249336	CAPCC 1NF 10% 50V X7R	DSP BOARD ASY	RTD250		10138550	
C120	194673	CAP LYTC 1UF M 50V	FRONT BOARD ASY	RTD250		20268840	
C121	256816	CAP CC 33PF 50V NPO	FRONT BOARD ASY	RTD250		20506560	
C121	253796	CAPCC .1UF 10% 16V	I/O BOARD ASY	RTD250		20947390	
C121	249336	CAPCC 1NF 10% 50V X7R	DSP BOARD ASY	RTD250		10138550	
C121	249349	CE 4.7UF 20% 50V 85C	MAIN BOARD ASY	RTD250		20268870	
C122	256816	CAP CC 33PF 50V NPO	FRONT BOARD ASY	RTD250		20506560	
C122	189981	CAP LYTC 10UF M 50V	I/O BOARD ASY	RTD250		20268880	
C122	249336	CAPCC 1NF 10% 50V X7R	DSP BOARD ASY	RTD250		10138550	
C122	253714	CAPCC 470PF 5% 50V	MAIN BOARD ASY	RTD250		20506680	
C123	260642	CAPCC 100NF +80% -20% 16V Y5V	FRONT BOARD ASY	RTD250		20288040	
C123	249336	CAPCC 1NF 10% 50V X7R	DSP BOARD ASY	RTD250		10138550	
C123	244072	CAPCC 4.7NF +/-10% 50V	MAIN BOARD ASY	RTD250		10138710	
C124	189981	CAP LYTC 10UF M 50V	FRONT BOARD ASY	RTD250		20268880	
C124	189981	CAP LYTC 10UF M 50V	DSP BOARD ASY	RTD250		20268880	
C125	244072	CAPCC 4.7NF +/-10% 50V	DSP BOARD ASY	RTD250		10138710	
C125	249349	CE 4.7UF 20% 50V 85C	MAIN BOARD ASY	RTD250		20268870	
C126	262240	CAP CC 1NF 20% 50V Z5U	FRONT BOARD ASY	RTD250		20245850	
C126	189981	CAP LYTC 10UF M 50V	DSP BOARD ASY	RTD250		20268880	
C126	253714	CAPCC 470PF 5% 50V	MAIN BOARD ASY	RTD250		20506680	
C127	262240	CAP CC 1NF 20% 50V Z5U	FRONT BOARD ASY	RTD250		20245850	
C127	249036	CAPCC 220PF J NPO 50V	DSP BOARD ASY	RTD250		20506640	
C127	249349	CE 4.7UF 20% 50V 85C	MAIN BOARD ASY	RTD250		20268870	
C128	249336	CAPCC 1NF 10% 50V X7R	DSP BOARD ASY	RTD250		10138550	
C128	249349	CE 4.7UF 20% 50V 85C	MAIN BOARD ASY	RTD250		20268870	
C129	249336	CAPCC 1NF 10% 50V X7R	DSP BOARD ASY	RTD250		10138550	
C129	249349	CE 4.7UF 20% 50V 85C	MAIN BOARD ASY	RTD250		20268870	
C130	249336	CAPCC 1NF 10% 50V X7R	DSP BOARD ASY	RTD250		10138550	
C130	249349	CE 4.7UF 20% 50V 85C	MAIN BOARD ASY	RTD250		20268870	
C131	249336	CAPCC 1NF 10% 50V X7R	DSP BOARD ASY	RTD250		10138550	
C131	249349	CE 4.7UF 20% 50V 85C	MAIN BOARD ASY	RTD250		20268870	
C132	189981	CAP LYTC 10UF M 50V	DSP BOARD ASY	RTD250		20268880	
C132	249349	CE 4.7UF 20% 50V 85C	MAIN BOARD ASY	RTD250		20268870	
C133	260935	CAPCC 5.6NF 10% 50V XR	DSP BOARD ASY	RTD250		10138730	
C134	189981	CAP LYTC 10UF M 50V	DSP BOARD ASY	RTD250		20268880	
C135	249036	CAPCC 220PF J NPO 50V	DSP BOARD ASY	RTD250		20506640	
C136	249336	CAPCC 1NF 10% 50V X7R	DSP BOARD ASY	RTD250		10138550	
C137	249336	CAPCC 1NF 10% 50V X7R	DSP BOARD ASY	RTD250		10138550	
C138	249336	CAPCC 1NF 10% 50V X7R	DSP BOARD ASY	RTD250		10138550	
C139	249336	CAPCC 1NF 10% 50V X7R	DSP BOARD ASY	RTD250		10138550	
C140	189981	CAP LYTC 10UF M 50V	DSP BOARD ASY	RTD250		20268880	
C141	260935	CAPCC 5.6NF 10% 50V XR	DSP BOARD ASY	RTD250		10138730	
C142	189981	CAP LYTC 10UF M 50V	DSP BOARD ASY	RTD250		20268880	
C143	249036	CAPCC 220PF J NPO 50V	DSP BOARD ASY	RTD250		20506640	
C144	249336	CAPCC 1NF 10% 50V X7R	DSP BOARD ASY	RTD250		10138550	
C145	249336	CAPCC 1NF 10% 50V X7R	DSP BOARD ASY	RTD250		10138550	
C146	249336	CAPCC 1NF 10% 50V X7R	DSP BOARD ASY	RTD250		10138550	
C147	249336	CAPCC 1NF 10% 50V X7R	DSP BOARD ASY	RTD250		10138550	

Symbol	Stock	Description	Circuit	Model	TypeCode	Drawing	Notes
C148	189981	CAP LYTC 10UF M 50V	DSP BOARD ASY	RTD250		20268880	
C149	260632	CAP LYTC 100UF +20% 16.0V 85C	DSP BOARD ASY	RTD250		20269020	
C15	262292	ADAPTER HOOK	NEO5 ASY	RTD250		5555000A	
C150	260632	CAP LYTC 100UF +20% 16.0V 85C	DSP BOARD ASY	RTD250		20269020	
C151	253796	CAPCC .1UF 10% 16V	DSP BOARD ASY	RTD250		20947390	
C152	253796	CAPCC .1UF 10% 16V	DSP BOARD ASY	RTD250		20947390	
C153	253796	CAPCC .1UF 10% 16V	DSP BOARD ASY	RTD250		20947390	
C154	253796	CAPCC .1UF 10% 16V	DSP BOARD ASY	RTD250		20947390	
C155	253796	CAPCC .1UF 10% 16V	DSP BOARD ASY	RTD250		20947390	
C156	253796	CAPCC .1UF 10% 16V	DSP BOARD ASY	RTD250		20947390	
C157	253796	CAPCC .1UF 10% 16V	DSP BOARD ASY	RTD250		20947390	
C158	253796	CAPCC .1UF 10% 16V	DSP BOARD ASY	RTD250		20947390	
C159	189981	CAP LYTC 10UF M 50V	DSP BOARD ASY	RTD250		20268880	
C16	262293	BRACKET ELEVATOR	NEO5 ASY	RTD250		5555001A	
C160	189981	CAP LYTC 10UF M 50V	DSP BOARD ASY	RTD250		20268880	
C161	253634	CAPCC .0027UF 10% 50V	DSP BOARD ASY	RTD250		10138630	
C162	189981	CAP LYTC 10UF M 50V	DSP BOARD ASY	RTD250		20268880	
C163	253633	CAPCC .0015UF 10% 50V	DSP BOARD ASY	RTD250		10138590	
C164	256818	CAP CC 100PF 50V NPO	DSP BOARD ASY	RTD250		20506590	
C165	249036	CAPCC 220PF J NPO 50V	DSP BOARD ASY	RTD250		20506640	
C166	260653	CAP LYTC 3.3UF +20% 50V 85C	DSP BOARD ASY	RTD250		20268860	
C167	253634	CAPCC .0027UF 10% 50V	DSP BOARD ASY	RTD250		10138630	
C168	189981	CAP LYTC 10UF M 50V	DSP BOARD ASY	RTD250		20268880	
C169	253633	CAPCC .0015UF 10% 50V	DSP BOARD ASY	RTD250		10138590	
C17	262338	BRACKET LOCK L	NEO5 ASY	RTD250		5555084A	
C170	256818	CAP CC 100PF 50V NPO	DSP BOARD ASY	RTD250		20506590	
C171	249036	CAPCC 220PF J NPO 50V	DSP BOARD ASY	RTD250		20506640	
C172	260653	CAP LYTC 3.3UF +20% 50V 85C	DSP BOARD ASY	RTD250		20268860	
C173	253796	CAPCC .1UF 10% 16V	DSP BOARD ASY	RTD250		20947390	
C174	189981	CAP LYTC 10UF M 50V	DSP BOARD ASY	RTD250		20268880	
C175	189981	CAP LYTC 10UF M 50V	DSP BOARD ASY	RTD250		20268880	
C18	262332	BRACKET LOCK R	NEO5 ASY	RTD250		5555085A	
C19	262294	CAM SLIDER	NEO5 ASY	RTD250		5555002A	
C20	263074	BRACKET DVD	NEO5 ASY	RTD250		5555352A	
C201	244062	CAPCC 2.2NF +/-10% 50V	FRONT BOARD ASY	RTD250		10138620	
C201	256770	CAP CC 100PF +10% -10% 50V NPO	I/O BOARD ASY	RTD250		10137380	
C201	249352	CAPLYTC 220UF 20% 16V 85C	DRIVER BOARD ASY	RTD250		20252650	
C201	253796	CAPCC .1UF 10% 16V	DSP BOARD ASY	RTD250		20947390	
C201	253714	CAPCC 470PF 5% 50V	MAIN BOARD ASY	RTD250		20506680	
C202	244062	CAPCC 2.2NF +/-10% 50V	FRONT BOARD ASY	RTD250		10138620	
C202	260670	CAP LYTC 470UF +20% 10V 85C	I/O BOARD ASY	RTD250		20252670	
C202	262994	CAP CD 100NF +80% -20% 50V	DRIVER BOARD ASY	RTD250		20293470	
C202	260930	CAP LYTC 47UF +20% 25V 85C	DSP BOARD ASY	RTD250		20268910	
C202	262224	CAP CC 3PF 50V	MAIN BOARD ASY	RTD250		20833010	
C203	262994	CAP CD 100NF +80% -20% 50V	FRONT BOARD ASY	RTD250		20293470	
C203	243464	CAPCC 15PF 5% 50V	I/O BOARD ASY	RTD250		20678050	
C203	262994	CAP CD 100NF +80% -20% 50V	DRIVER BOARD ASY	RTD250		20293470	
C203	253796	CAPCC .1UF 10% 16V	DSP BOARD ASY	RTD250		20947390	

Symbol	Stock	Description	Circuit	Model	TypeCode	Drawing	Notes
C204	249036	CAPCC 220PF J NPO 50V	I/O BOARD ASY	RTD250		20506640	
C204	262994	CAP CD 100NF +80% -20% 50V	DRIVER BOARD ASY	RTD250		20293470	
C204	260653	CAP LYTC 3.3UF +20% 50V 85C	DSP BOARD ASY	RTD250		20268860	
C204	253714	CAPCC 470PF 5% 50V	MAIN BOARD ASY	RTD250		20506680	
C205	260632	CAP LYTC 100UF +20% 16.0V 85C	I/O BOARD ASY	RTD250		20269020	
C205	253796	CAPCC .1UF 10% 16V	DSP BOARD ASY	RTD250		20947390	
C205	262224	CAP CC 3PF 50V	MAIN BOARD ASY	RTD250		20833010	
C206	249036	CAPCC 220PF J NPO 50V	I/O BOARD ASY	RTD250		20506640	
C206	260653	CAP LYTC 3.3UF +20% 50V 85C	DSP BOARD ASY	RTD250		20268860	
C207	260632	CAP LYTC 100UF +20% 16.0V 85C	I/O BOARD ASY	RTD250		20269020	
C207	194673	CAP LYTC 1UF M 50V	DSP BOARD ASY	RTD250		20268840	
C208	260632	CAP LYTC 100UF +20% 16.0V 85C	I/O BOARD ASY	RTD250		20269020	
C208	253796	CAPCC .1UF 10% 16V	DSP BOARD ASY	RTD250		20947390	
C209	260632	CAP LYTC 100UF +20% 16.0V 85C	I/O BOARD ASY	RTD250		20269020	
C209	253796	CAPCC .1UF 10% 16V	DSP BOARD ASY	RTD250		20947390	
C21	263075	COVER MAGNETIC ARM	NEO5 ASY	RTD250		5555004A	
C210	243464	CAPCC 15PF 5% 50V	I/O BOARD ASY	RTD250		20678050	
C210	194673	CAP LYTC 1UF M 50V	DSP BOARD ASY	RTD250		20268840	
C210	262519	CAP LYTC 100UF M 50V	MAIN BOARD ASY	RTD250		50887010	
C211	260670	CAP LYTC 470UF +20% 10V 85C	I/O BOARD ASY	RTD250		20252670	
C211	260930	CAP LYTC 47UF +20% 25V 85C	DSP BOARD ASY	RTD250		20268910	
C212	249036	CAPCC 220PF J NPO 50V	I/O BOARD ASY	RTD250		20506640	
C212	253796	CAPCC .1UF 10% 16V	DSP BOARD ASY	RTD250		20947390	
C212	262519	CAP LYTC 100UF M 50V	MAIN BOARD ASY	RTD250		50887010	
C213	260632	CAP LYTC 100UF +20% 16.0V 85C	I/O BOARD ASY	RTD250		20269020	
C213	253796	CAPCC .1UF 10% 16V	DSP BOARD ASY	RTD250		20947390	
C213	253714	CAPCC 470PF 5% 50V	MAIN BOARD ASY	RTD250		20506680	
C214	249036	CAPCC 220PF J NPO 50V	I/O BOARD ASY	RTD250		20506640	
C214	194673	CAP LYTC 1UF M 50V	DSP BOARD ASY	RTD250		20268840	
C215	243464	CAPCC 15PF 5% 50V	I/O BOARD ASY	RTD250		20678050	
C215	249336	CAPCC 1NF 10% 50V X7R	DSP BOARD ASY	RTD250		10138550	
C215	262224	CAP CC 3PF 50V	MAIN BOARD ASY	RTD250		20833010	
C216	249336	CAPCC 1NF 10% 50V X7R	DSP BOARD ASY	RTD250		10138550	
C216	253714	CAPCC 470PF 5% 50V	MAIN BOARD ASY	RTD250		20506680	
C217	253796	CAPCC .1UF 10% 16V	DSP BOARD ASY	RTD250		20947390	
C217	262224	CAP CC 3PF 50V	MAIN BOARD ASY	RTD250		20833010	
C218	194673	CAP LYTC 1UF M 50V	DSP BOARD ASY	RTD250		20268840	
C219	253796	CAPCC .1UF 10% 16V	DSP BOARD ASY	RTD250		20947390	
C219	253714	CAPCC 470PF 5% 50V	MAIN BOARD ASY	RTD250		20506680	
C22	262297	COVER RACK INNER	NEO5 ASY	RTD250		5555005A	
C220	189981	CAP LYTC 10UF M 50V	DSP BOARD ASY	RTD250		20268880	
C221	253796	CAPCC .1UF 10% 16V	DSP BOARD ASY	RTD250		20947390	
C221	262224	CAP CC 3PF 50V	MAIN BOARD ASY	RTD250		20833010	
C222	189981	CAP LYTC 10UF M 50V	DSP BOARD ASY	RTD250		20268880	
C222	262220	CAP POLY 220N0F 10% 50V	MAIN BOARD ASY	RTD250		20266520	
C223	262220	CAP POLY 220N0F 10% 50V	MAIN BOARD ASY	RTD250		20266520	
C224	253796	CAPCC .1UF 10% 16V	I/O BOARD ASY	RTD250		20947390	
C224	262220	CAP POLY 220N0F 10% 50V	MAIN BOARD ASY	RTD250		20266520	

Symbol	Stock	Description	Circuit	Model	TypeCode	Drawing	Notes
C225	253796	CAPCC .1UF 10% 16V	I/O BOARD ASY	RTD250		20947390	
C225	262220	CAP POLY 220N0F 10% 50V	MAIN BOARD ASY	RTD250		20266520	
C226	253796	CAPCC .1UF 10% 16V	I/O BOARD ASY	RTD250		20947390	
C226	262220	CAP POLY 220N0F 10% 50V	MAIN BOARD ASY	RTD250		20266520	
C228	262983	CAP CPM 47NF 20% 100V	MAIN BOARD ASY	RTD250		40432960	
C229	262983	CAP CPM 47NF 20% 100V	MAIN BOARD ASY	RTD250		40432960	
C23	262298	COVER RACK OUTER	NEO5 ASY	RTD250		5555006A	
C230	262983	CAP CPM 47NF 20% 100V	MAIN BOARD ASY	RTD250		40432960	
C231	262983	CAP CPM 47NF 20% 100V	MAIN BOARD ASY	RTD250		40432960	
C232	262220	CAP POLY 220N0F 10% 50V	MAIN BOARD ASY	RTD250		20266520	
C233	262220	CAP POLY 220N0F 10% 50V	MAIN BOARD ASY	RTD250		20266520	
C234	262220	CAP POLY 220N0F 10% 50V	MAIN BOARD ASY	RTD250		20266520	
C235	262220	CAP POLY 220N0F 10% 50V	MAIN BOARD ASY	RTD250		20266520	
C236	262220	CAP POLY 220N0F 10% 50V	MAIN BOARD ASY	RTD250		20266520	
C24	262299	ELEVATOR	NEO5 ASY	RTD250		5555008A	
C25	262300	GEAR HOOK	NEO5 ASY	RTD250		5555022A	
C26	262301	HOOK	NEO5 ASY	RTD250		5555009A	
C27	262302	PUSHER	NEO5 ASY	RTD250		5555011A	
C28	262303	GEAR ROD HOOK	NEO5 ASY	RTD250		5555023A	
C29	262323	SPRING	NEO5 ASY	RTD250		5555102A	
C30	262324	SPRING	NEO5 ASY	RTD250		5555103A	
C301	260642	CAPCC 100NF +80% -20% 16V Y5V	FRONT BOARD ASY	RTD250		20288040	
C301	256817	CAPCC 47PF K NPO 50V	I/O BOARD ASY	RTD250		10137310	
C301	253796	CAPCC .1UF 10% 16V	DSP BOARD ASY	RTD250		20947390	
C302	256817	CAPCC 47PF K NPO 50V	I/O BOARD ASY	RTD250		10137310	
C302	260632	CAP LYTC 100UF +20% 16.0V 85C	DSP BOARD ASY	RTD250		20269020	
C303	256817	CAPCC 47PF K NPO 50V	I/O BOARD ASY	RTD250		10137310	
C303	253796	CAPCC .1UF 10% 16V	DSP BOARD ASY	RTD250		20947390	
C304	256817	CAPCC 47PF K NPO 50V	I/O BOARD ASY	RTD250		10137310	
C304	256826	CAP CC 68PF 50V NPO	DSP BOARD ASY	RTD250		20993960	
C304	262519	CAP LYTC 100UF M 50V	MAIN BOARD ASY	RTD250		50887010	
C305	256817	CAPCC 47PF K NPO 50V	I/O BOARD ASY	RTD250		10137310	
C305	256826	CAP CC 68PF 50V NPO	DSP BOARD ASY	RTD250		20993960	
C305	253714	CAPCC 470PF 5% 50V	MAIN BOARD ASY	RTD250		20506680	
C306	253796	CAPCC .1UF 10% 16V	I/O BOARD ASY	RTD250		20947390	
C306	260930	CAP LYTC 47UF +20% 25V 85C	DSP BOARD ASY	RTD250		20268910	
C307	189981	CAP LYTC 10UF M 50V	I/O BOARD ASY	RTD250		20268880	
C307	260632	CAP LYTC 100UF +20% 16.0V 85C	DSP BOARD ASY	RTD250		20269020	
C307	262224	CAP CC 3PF 50V	MAIN BOARD ASY	RTD250		20833010	
C308	253796	CAPCC .1UF 10% 16V	DSP BOARD ASY	RTD250		20947390	
C308	253714	CAPCC 470PF 5% 50V	MAIN BOARD ASY	RTD250		20506680	
C309	189981	CAP LYTC 10UF M 50V	DSP BOARD ASY	RTD250		20268880	
C309	262224	CAP CC 3PF 50V	MAIN BOARD ASY	RTD250		20833010	
C310	189981	CAP LYTC 10UF M 50V	DSP BOARD ASY	RTD250		20268880	
C311	253796	CAPCC .1UF 10% 16V	DSP BOARD ASY	RTD250		20947390	
C311	256775	CAP CC .01UF K X7R 50V	MAIN BOARD ASY	RTD250		10138960	
C312	253796	CAPCC .1UF 10% 16V	DSP BOARD ASY	RTD250		20947390	
C312	262220	CAP POLY 220N0F 10% 50V	MAIN BOARD ASY	RTD250		20266520	



Symbol	Stock	Description	Circuit	Model	TypeCode	Drawing	Notes
C313	262220	CAP POLY 220N0F 10% 50V	MAIN BOARD ASY	RTD250		20266520	
C315	262521	CAP LYTC 47UF 20% 50V 85C	MAIN BOARD ASY	RTD250		20269010	
C316	262521	CAP LYTC 47UF 20% 50V 85C	MAIN BOARD ASY	RTD250		20269010	
C318	262983	CAP CPM 47NF 20% 100V	MAIN BOARD ASY	RTD250		40432960	
C320	262220	CAP POLY 220N0F 10% 50V	MAIN BOARD ASY	RTD250		20266520	
C321	262220	CAP POLY 220N0F 10% 50V	MAIN BOARD ASY	RTD250		20266520	
C322	262983	CAP CPM 47NF 20% 100V	MAIN BOARD ASY	RTD250		40432960	
C323	262983	CAP CPM 47NF 20% 100V	MAIN BOARD ASY	RTD250		40432960	
C34	262304	LOCK TRAY	NEO5 ASY	RTD250		5555012A	
C401	253796	CAPCC .1UF 10% 16V	DSP BOARD ASY	RTD250		20947390	
C402	254542	CAP LYTC 6800UF 16V	MAIN BOARD ASY	RTD250		55126160	
C402	253796	CAPCC .1UF 10% 16V	DSP BOARD ASY	RTD250		20947390	
C403	253796	CAPCC .1UF 10% 16V	DSP BOARD ASY	RTD250		20947390	
C403	260668	CAP POLY 100NF +10% 50V	MAIN BOARD ASY	RTD250		20266460	
C404	251505	CAP CE 2200UF 16V 20% 85C	MAIN BOARD ASY	RTD250		20268380	
C404	189981	CAP LYTC 10UF M 50V	DSP BOARD ASY	RTD250		20268880	
C405	253796	CAPCC .1UF 10% 16V	DSP BOARD ASY	RTD250		20947390	
C406	253796	CAPCC .1UF 10% 16V	DSP BOARD ASY	RTD250		20947390	
C406	253796	CAPCC .1UF 10% 16V	MAIN BOARD ASY	RTD250		20947390	
C407	260930	CAP LYTC 47UF +20% 25V 85C	DSP BOARD ASY	RTD250		20268910	
C407	260632	CAP LYTC 100UF +20% 16.0V 85C	MAIN BOARD ASY	RTD250		20269020	
C408	253796	CAPCC .1UF 10% 16V	MAIN BOARD ASY	RTD250		20947390	
C409	194673	CAP LYTC 1UF M 50V	MAIN BOARD ASY	RTD250		20268840	
C410	194673	CAP LYTC 1UF M 50V	MAIN BOARD ASY	RTD250		20268840	
C411	194673	CAP LYTC 1UF M 50V	MAIN BOARD ASY	RTD250		20268840	
C412	194673	CAP LYTC 1UF M 50V	MAIN BOARD ASY	RTD250		20268840	
C501	189981	CAP LYTC 10UF M 50V	DSP BOARD ASY	RTD250		20268880	
C502	249989	CAP LYTC 2200UF 35V	MAIN BOARD ASY	RTD250		40433130	
C502	253796	CAPCC .1UF 10% 16V	DSP BOARD ASY	RTD250		20947390	
C503	256775	CAP CC .01UF K X7R 50V	DSP BOARD ASY	RTD250		10138960	
C503	260668	CAP POLY 100NF +10% 50V	MAIN BOARD ASY	RTD250		20266460	
C504	256815	CAP CC 10PF 50V NPO	DSP BOARD ASY	RTD250		20506540	
C505	256815	CAP CC 10PF 50V NPO	DSP BOARD ASY	RTD250		20506540	
C506	253796	CAPCC .1UF 10% 16V	DSP BOARD ASY	RTD250		20947390	
C506	253796	CAPCC .1UF 10% 16V	MAIN BOARD ASY	RTD250		20947390	
C507	253796	CAPCC .1UF 10% 16V	DSP BOARD ASY	RTD250		20947390	
C507	260632	CAP LYTC 100UF +20% 16.0V 85C	MAIN BOARD ASY	RTD250		20269020	
C508	260930	CAP LYTC 47UF +20% 25V 85C	DSP BOARD ASY	RTD250		20268910	
C508	253796	CAPCC .1UF 10% 16V	MAIN BOARD ASY	RTD250		20947390	
C509	253796	CAPCC .1UF 10% 16V	DSP BOARD ASY	RTD250		20947390	
C510	189981	CAP LYTC 10UF M 50V	DSP BOARD ASY	RTD250		20268880	
C511	233196	CAP LYTC 220UF M 50V	MAIN BOARD ASY	RTD250		11067080	
C511	253796	CAPCC .1UF 10% 16V	DSP BOARD ASY	RTD250		20947390	
C512	253796	CAPCC .1UF 10% 16V	DSP BOARD ASY	RTD250		20947390	
C513	253796	CAPCC .1UF 10% 16V	DSP BOARD ASY	RTD250		20947390	
C514	253796	CAPCC .1UF 10% 16V	DSP BOARD ASY	RTD250		20947390	
C515	253796	CAPCC .1UF 10% 16V	DSP BOARD ASY	RTD250		20947390	
C516	253796	CAPCC .1UF 10% 16V	DSP BOARD ASY	RTD250		20947390	

Symbol	Stock	Description	Circuit	Model	TypeCode	Drawing	Notes
C517	189981	CAP LYTC 10UF M 50V	DSP BOARD ASY	RTD250		20268880	
C518	253796	CAPCC .1UF 10% 16V	DSP BOARD ASY	RTD250		20947390	
C519	253796	CAPCC .1UF 10% 16V	DSP BOARD ASY	RTD250		20947390	
C520	253796	CAPCC .1UF 10% 16V	DSP BOARD ASY	RTD250		20947390	
C521	253796	CAPCC .1UF 10% 16V	DSP BOARD ASY	RTD250		20947390	
C522	253796	CAPCC .1UF 10% 16V	DSP BOARD ASY	RTD250		20947390	
C523	253796	CAPCC .1UF 10% 16V	DSP BOARD ASY	RTD250		20947390	
C524	253796	CAPCC .1UF 10% 16V	DSP BOARD ASY	RTD250		20947390	
C525	253796	CAPCC .1UF 10% 16V	DSP BOARD ASY	RTD250		20947390	
C526	253796	CAPCC .1UF 10% 16V	DSP BOARD ASY	RTD250		20947390	
C527	253796	CAPCC .1UF 10% 16V	DSP BOARD ASY	RTD250		20947390	
C528	253796	CAPCC .1UF 10% 16V	DSP BOARD ASY	RTD250		20947390	
C529	253796	CAPCC .1UF 10% 16V	DSP BOARD ASY	RTD250		20947390	
C530	253796	CAPCC .1UF 10% 16V	DSP BOARD ASY	RTD250		20947390	
C531	189981	CAP LYTC 10UF M 50V	DSP BOARD ASY	RTD250		20268880	
C532	253796	CAPCC .1UF 10% 16V	DSP BOARD ASY	RTD250		20947390	
C533	253796	CAPCC .1UF 10% 16V	DSP BOARD ASY	RTD250		20947390	
C534	253796	CAPCC .1UF 10% 16V	DSP BOARD ASY	RTD250		20947390	
C535	253796	CAPCC .1UF 10% 16V	DSP BOARD ASY	RTD250		20947390	
C536	253796	CAPCC .1UF 10% 16V	DSP BOARD ASY	RTD250		20947390	
C537	253796	CAPCC .1UF 10% 16V	DSP BOARD ASY	RTD250		20947390	
C538	253796	CAPCC .1UF 10% 16V	DSP BOARD ASY	RTD250		20947390	
C539	253796	CAPCC .1UF 10% 16V	DSP BOARD ASY	RTD250		20947390	
C540	253796	CAPCC .1UF 10% 16V	DSP BOARD ASY	RTD250		20947390	
C541	253796	CAPCC .1UF 10% 16V	DSP BOARD ASY	RTD250		20947390	
C542	253796	CAPCC .1UF 10% 16V	DSP BOARD ASY	RTD250		20947390	
C543	253796	CAPCC .1UF 10% 16V	DSP BOARD ASY	RTD250		20947390	
C544	253796	CAPCC .1UF 10% 16V	DSP BOARD ASY	RTD250		20947390	
C545	256815	CAP CC 10PF 50V NPO	DSP BOARD ASY	RTD250		20506540	
C546	256815	CAP CC 10PF 50V NPO	DSP BOARD ASY	RTD250		20506540	
C547	256815	CAP CC 10PF 50V NPO	DSP BOARD ASY	RTD250		20506540	
C548	253796	CAPCC .1UF 10% 16V	DSP BOARD ASY	RTD250		20947390	
C549	253796	CAPCC .1UF 10% 16V	DSP BOARD ASY	RTD250		20947390	
C55	262322	SPRING HOOK	NEO5 ASY	RTD250		5555091A	
C550	253796	CAPCC .1UF 10% 16V	DSP BOARD ASY	RTD250		20947390	
C551	253796	CAPCC .1UF 10% 16V	DSP BOARD ASY	RTD250		20947390	
C601	253796	CAPCC .1UF 10% 16V	DSP BOARD ASY	RTD250		20947390	
C602	253796	CAPCC .1UF 10% 16V	DSP BOARD ASY	RTD250		20947390	
C603	253796	CAPCC .1UF 10% 16V	DSP BOARD ASY	RTD250		20947390	
C604	249989	CAP LYTC 2200UF 35V	MAIN BOARD ASY	RTD250		40433130	
C604	189981	CAP LYTC 10UF M 50V	DSP BOARD ASY	RTD250		20268880	
C605	249989	CAP LYTC 2200UF 35V	MAIN BOARD ASY	RTD250		40433130	
C605	253796	CAPCC .1UF 10% 16V	DSP BOARD ASY	RTD250		20947390	
C606	260668	CAP POLY 100NF +10% 50V	MAIN BOARD ASY	RTD250		20266460	
C607	249336	CAPCC 1NF 10% 50V X7R	DSP BOARD ASY	RTD250		10138550	
C607	260668	CAP POLY 100NF +10% 50V	MAIN BOARD ASY	RTD250		20266460	
C608	249336	CAPCC 1NF 10% 50V X7R	DSP BOARD ASY	RTD250		10138550	
C608	260632	CAP LYTC 100UF +20% 16.0V 85C	MAIN BOARD ASY	RTD250		20269020	

Symbol	Stock	Description	Circuit	Model	TypeCode	Drawing	Notes
C609	260634	CAP LYTC 470UF +20% 16.0V 85C	MAIN BOARD ASY	RTD250		20718370	
C610	253796	CAPCC .1UF 10% 16V	MAIN BOARD ASY	RTD250		20947390	
C611	260632	CAP LYTC 100UF +20% 16.0V 85C	MAIN BOARD ASY	RTD250		20269020	
C612	260634	CAP LYTC 470UF +20% 16.0V 85C	MAIN BOARD ASY	RTD250		20718370	
C613	253796	CAPCC .1UF 10% 16V	MAIN BOARD ASY	RTD250		20947390	
C704	249340	CAPCE 100U0F 20% 10V 85C	DSP BOARD ASY	RTD250		20268940	
C705	253796	CAPCC .1UF 10% 16V	DSP BOARD ASY	RTD250		20947390	
C706	258137	CAP LYTC 6.18UF 20% 50V 85C	MAIN BOARD ASY	RTD250	S	20588260	
C706	253796	CAPCC .1UF 10% 16V	DSP BOARD ASY	RTD250		20947390	
C707	258137	CAP LYTC 6.18UF 20% 50V 85C	MAIN BOARD ASY	RTD250	S	20588260	
C707	260930	CAP LYTC 47UF +20% 25V 85C	DSP BOARD ASY	RTD250		20268910	
C708	260659	CAP LYTC 2.2FU +20% 50V 85C	MAIN BOARD ASY	RTD250		20268850	
C709	256775	CAP CC .01UF K X7R 50V	MAIN BOARD ASY	RTD250		10138960	
C710	256775	CAP CC .01UF K X7R 50V	MAIN BOARD ASY	RTD250		10138960	
C711	249340	CAPCE 100U0F 20% 10V 85C	DSP BOARD ASY	RTD250		20268940	
C712	249340	CAPCE 100U0F 20% 10V 85C	DSP BOARD ASY	RTD250		20268940	
C713	260670	CAP LYTC 470UF +20% 10V 85C	DSP BOARD ASY	RTD250		20252670	
C714	249340	CAPCE 100U0F 20% 10V 85C	DSP BOARD ASY	RTD250		20268940	
C715	260670	CAP LYTC 470UF +20% 10V 85C	DSP BOARD ASY	RTD250		20252670	
C716	243463	CAPCC 18PF +5% -5%	DSP BOARD ASY	RTD250		20548340	
C717	243463	CAPCC 18PF +5% -5%	DSP BOARD ASY	RTD250		20548340	
C801	256827	CAP CC .47UF 10V Y5V	DSP BOARD ASY	RTD250		21022740	
C802	260930	CAP LYTC 47UF +20% 25V 85C	DSP BOARD ASY	RTD250		20268910	
C803	260930	CAP LYTC 47UF +20% 25V 85C	DSP BOARD ASY	RTD250		20268910	
C804	253796	CAPCC .1UF 10% 16V	DSP BOARD ASY	RTD250		20947390	
C805	253796	CAPCC .1UF 10% 16V	DSP BOARD ASY	RTD250		20947390	
C806	253796	CAPCC .1UF 10% 16V	DSP BOARD ASY	RTD250		20947390	
C807	253796	CAPCC .1UF 10% 16V	DSP BOARD ASY	RTD250		20947390	
C808	256827	CAP CC .47UF 10V Y5V	DSP BOARD ASY	RTD250		21022740	
C809	260930	CAP LYTC 47UF +20% 25V 85C	DSP BOARD ASY	RTD250		20268910	
C810	253796	CAPCC .1UF 10% 16V	DSP BOARD ASY	RTD250		20947390	
C811	253796	CAPCC .1UF 10% 16V	DSP BOARD ASY	RTD250		20947390	
C812	253796	CAPCC .1UF 10% 16V	DSP BOARD ASY	RTD250		20947390	
C813	253796	CAPCC .1UF 10% 16V	DSP BOARD ASY	RTD250		20947390	
C814	253796	CAPCC .1UF 10% 16V	DSP BOARD ASY	RTD250		20947390	
C815	253796	CAPCC .1UF 10% 16V	DSP BOARD ASY	RTD250		20947390	
C816	253796	CAPCC .1UF 10% 16V	DSP BOARD ASY	RTD250		20947390	
C817	253796	CAPCC .1UF 10% 16V	DSP BOARD ASY	RTD250		20947390	
C818	260632	CAP LYTC 100UF +20% 16.0V 85C	DSP BOARD ASY	RTD250		20269020	
C819	260632	CAP LYTC 100UF +20% 16.0V 85C	DSP BOARD ASY	RTD250		20269020	
C851	260653	CAP LYTC 3.3UF +20% 50V 85C	DSP BOARD ASY	RTD250		20268860	
C852	260653	CAP LYTC 3.3UF +20% 50V 85C	DSP BOARD ASY	RTD250		20268860	
C853	260653	CAP LYTC 3.3UF +20% 50V 85C	DSP BOARD ASY	RTD250		20268860	
C854	260653	CAP LYTC 3.3UF +20% 50V 85C	DSP BOARD ASY	RTD250		20268860	
C855	260653	CAP LYTC 3.3UF +20% 50V 85C	DSP BOARD ASY	RTD250		20268860	
C856	260653	CAP LYTC 3.3UF +20% 50V 85C	DSP BOARD ASY	RTD250		20268860	
C857	260653	CAP LYTC 3.3UF +20% 50V 85C	DSP BOARD ASY	RTD250		20268860	
C858	260653	CAP LYTC 3.3UF +20% 50V 85C	DSP BOARD ASY	RTD250		20268860	

Symbol	Stock	Description	Circuit	Model	TypeCode	Drawing	Notes
C859	256818	CAP CC 100PF 50V NPO	DSP BOARD ASY	RTD250		20506590	
C860	256818	CAP CC 100PF 50V NPO	DSP BOARD ASY	RTD250		20506590	
C861	256818	CAP CC 100PF 50V NPO	DSP BOARD ASY	RTD250		20506590	
C862	256818	CAP CC 100PF 50V NPO	DSP BOARD ASY	RTD250		20506590	
C863	256818	CAP CC 100PF 50V NPO	DSP BOARD ASY	RTD250		20506590	
C864	256818	CAP CC 100PF 50V NPO	DSP BOARD ASY	RTD250		20506590	
C865	256818	CAP CC 100PF 50V NPO	DSP BOARD ASY	RTD250		20506590	
C866	256818	CAP CC 100PF 50V NPO	DSP BOARD ASY	RTD250		20506590	
C867	253796	CAPCC .1UF 10% 16V	DSP BOARD ASY	RTD250		20947390	
C868	260652	CAP POLY 8.2NF +10% 50.0V	DSP BOARD ASY	RTD250		20266840	
C869	260650	CAP POLY 15NF +10% 50V	DSP BOARD ASY	RTD250		20266320	
C870	260651	CAP LYTC 330NF +20% 50V 85C	DSP BOARD ASY	RTD250		20268960	
C871	260632	CAP LYTC 100UF +20% 16.0V 85C	DSP BOARD ASY	RTD250		20269020	
C872	260632	CAP LYTC 100UF +20% 16.0V 85C	DSP BOARD ASY	RTD250		20269020	
C873	260632	CAP LYTC 100UF +20% 16.0V 85C	DSP BOARD ASY	RTD250		20269020	
C874	253796	CAPCC .1UF 10% 16V	DSP BOARD ASY	RTD250		20947390	
C875	260653	CAP LYTC 3.3UF +20% 50V 85C	DSP BOARD ASY	RTD250		20268860	
C876	260653	CAP LYTC 3.3UF +20% 50V 85C	DSP BOARD ASY	RTD250		20268860	
C877	260652	CAP POLY 8.2NF +10% 50.0V	DSP BOARD ASY	RTD250		20266840	
C878	260669	CAP POLY 1NF +10% 50V	DSP BOARD ASY	RTD250		20266120	
C879	260669	CAP POLY 1NF +10% 50V	DSP BOARD ASY	RTD250		20266120	
C880	260650	CAP POLY 15NF +10% 50V	DSP BOARD ASY	RTD250		20266320	
C881	260651	CAP LYTC 330NF +20% 50V 85C	DSP BOARD ASY	RTD250		20268960	
C882	256818	CAP CC 100PF 50V NPO	DSP BOARD ASY	RTD250		20506590	
C883	256818	CAP CC 100PF 50V NPO	DSP BOARD ASY	RTD250		20506590	
C884	256818	CAP CC 100PF 50V NPO	DSP BOARD ASY	RTD250		20506590	
C885	253796	CAPCC .1UF 10% 16V	DSP BOARD ASY	RTD250		20947390	
C886	189981	CAP LYTC 10UF M 50V	DSP BOARD ASY	RTD250		20268880	
C887	189981	CAP LYTC 10UF M 50V	DSP BOARD ASY	RTD250		20268880	
C888	194673	CAP LYTC 1UF M 50V	DSP BOARD ASY	RTD250		20268840	
C889	249227	CAP 1000UF 6.3V	DSP BOARD ASY	RTD250		20269180	
C890	249227	CAP 1000UF 6.3V	DSP BOARD ASY	RTD250		20269180	
C891	260930	CAP LYTC 47UF +20% 25V 85C	DSP BOARD ASY	RTD250		20268910	
C892	260632	CAP LYTC 100UF +20% 16.0V 85C	DSP BOARD ASY	RTD250		20269020	
C893	253796	CAPCC .1UF 10% 16V	DSP BOARD ASY	RTD250		20947390	
C901	189981	CAP LYTC 10UF M 50V	DSP BOARD ASY	RTD250		20268880	
C902	256816	CAP CC 33PF 50V NPO	DSP BOARD ASY	RTD250		20506560	
C903	249036	CAPCC 220PF J NPO 50V	DSP BOARD ASY	RTD250		20506640	
C904	189981	CAP LYTC 10UF M 50V	DSP BOARD ASY	RTD250		20268880	
C905	249336	CAPCC 1NF 10% 50V X7R	DSP BOARD ASY	RTD250		10138550	
C911	189981	CAP LYTC 10UF M 50V	DSP BOARD ASY	RTD250		20268880	
C912	256816	CAP CC 33PF 50V NPO	DSP BOARD ASY	RTD250		20506560	
C913	249036	CAPCC 220PF J NPO 50V	DSP BOARD ASY	RTD250		20506640	
C914	189981	CAP LYTC 10UF M 50V	DSP BOARD ASY	RTD250		20268880	
C915	249336	CAPCC 1NF 10% 50V X7R	DSP BOARD ASY	RTD250		10138550	
C921	189981	CAP LYTC 10UF M 50V	DSP BOARD ASY	RTD250		20268880	
C922	256816	CAP CC 33PF 50V NPO	DSP BOARD ASY	RTD250		20506560	
C923	249036	CAPCC 220PF J NPO 50V	DSP BOARD ASY	RTD250		20506640	

Symbol	Stock	Description	Circuit	Model	TypeCode	Drawing	Notes
C924	189981	CAP LYTC 10UF M 50V	DSP BOARD ASY	RTD250		20268880	
C925	249336	CAPCC 1NF 10% 50V X7R	DSP BOARD ASY	RTD250		10138550	
C931	189981	CAP LYTC 10UF M 50V	DSP BOARD ASY	RTD250		20268880	
C932	256816	CAP CC 33PF 50V NPO	DSP BOARD ASY	RTD250		20506560	
C933	249036	CAPCC 220PF J NPO 50V	DSP BOARD ASY	RTD250		20506640	
C934	189981	CAP LYTC 10UF M 50V	DSP BOARD ASY	RTD250		20268880	
C935	249336	CAPCC 1NF 10% 50V X7R	DSP BOARD ASY	RTD250		10138550	
C941	189981	CAP LYTC 10UF M 50V	DSP BOARD ASY	RTD250		20268880	
C942	256816	CAP CC 33PF 50V NPO	DSP BOARD ASY	RTD250		20506560	
C943	249036	CAPCC 220PF J NPO 50V	DSP BOARD ASY	RTD250		20506640	
C944	189981	CAP LYTC 10UF M 50V	DSP BOARD ASY	RTD250		20268880	
C945	249336	CAPCC 1NF 10% 50V X7R	DSP BOARD ASY	RTD250		10138550	
C951	189981	CAP LYTC 10UF M 50V	DSP BOARD ASY	RTD250		20268880	
C952	256816	CAP CC 33PF 50V NPO	DSP BOARD ASY	RTD250		20506560	
C953	249036	CAPCC 220PF J NPO 50V	DSP BOARD ASY	RTD250		20506640	
C954	189981	CAP LYTC 10UF M 50V	DSP BOARD ASY	RTD250		20268880	
C955	249336	CAPCC 1NF 10% 50V X7R	DSP BOARD ASY	RTD250		10138550	
C960	260632	CAP LYTC 100UF +20% 16.0V 85C	DSP BOARD ASY	RTD250		20269020	
C961	260632	CAP LYTC 100UF +20% 16.0V 85C	DSP BOARD ASY	RTD250		20269020	
C962	253796	CAPCC .1UF 10% 16V	DSP BOARD ASY	RTD250		20947390	
C963	253796	CAPCC .1UF 10% 16V	DSP BOARD ASY	RTD250		20947390	
C964	253796	CAPCC .1UF 10% 16V	DSP BOARD ASY	RTD250		20947390	
C965	253796	CAPCC .1UF 10% 16V	DSP BOARD ASY	RTD250		20947390	
C966	253796	CAPCC .1UF 10% 16V	DSP BOARD ASY	RTD250		20947390	
C967	253796	CAPCC .1UF 10% 16V	DSP BOARD ASY	RTD250		20947390	
CN301A	N/S/P	CONN 2.0MM 15 MA	DSP BOARD ASY	RTD250		55125070	
CN301B	N/S/P	CONN 2.0MM 15 MA ST NAT MOLEX	MAIN BOARD ASY	RTD250		55125010	
CN302	262992	CABLE 19P 270MM	I/O BOARD ASY	RTD250		55621960	
CN302A	260969	CONNECTOR 19P 1.25MM	DSP BOARD ASY	RTD250		55124600	
CN302B	260969	CONNECTOR 19P 1.25MM	I/O BOARD ASY	RTD250		55124600	
CN303	263009	CABLE 13P 200MM	DSP BOARD ASY	RTD250		55656550	
CN303A	N/S/P	CONN 1.25MM 13 FE	DSP BOARD ASY	RTD250		55636400	
CN304	263010	CABLE 19P 270MM	DSP BOARD ASY	RTD250		55328200	
CN304A	260969	CONNECTOR 19P 1.25MM	DSP BOARD ASY	RTD250		55124600	
CN304B	N/S/P	CONN 1.25MM 19 FE	DRIVER BOARD ASY	RTD250		55124680	
CN305A	N/S/P	CONN 2.0MM 16 MA	DSP BOARD ASY	RTD250		55174650	
CN305B	N/S/P	CONN 2.0MM 16 MA ST NAT MOLEX	MAIN BOARD ASY	RTD250		55205630	
CN306	N/S/P	CONN 2.5MM 9 MA	DSP BOARD ASY	RTD250		20368840	
CN307	262993	CABLE 13P 430MM	I/O BOARD ASY	RTD250		55621950	
CN307A	N/S/P	CONN 1.25MM 13 FE	DSP BOARD ASY	RTD250		55636400	
CN307B	N/S/P	CONN 1.25MM 13 FE	I/O BOARD ASY	RTD250		55636400	
CN308	N/S/P	CONN 2.0MM 9 MA	DRIVER BOARD ASY	RTD250		55123420	
CN309A	257056	CONNECTOR 14 PIN	DRIVER BOARD ASY	RTD250		55124990	
CN309B	257057	CONNECTOR 14 PIN	DRIVER BOARD ASY	RTD250		55125060	
CN310	257055	CONNECTOR 2 PIN	DRIVER BOARD ASY	RTD250		55078520	
CN311	249907	CONNECTOR 2.5MM 2 MA	DRIVER BOARD ASY	RTD250	S	20366830	
CN312	248291	CONNECTOR 2.0MM	DRIVER BOARD ASY	RTD250		20504000	
CN313	N/S/P	CONN 2.5MM 8 MA ST NAT 0 0	MAIN BOARD ASY	RTD250		55123650	

Symbol	Stock	Description	Circuit	Model	TypeCode	Drawing	Notes
CN314	N/S/P	CONN 2.5MM 4 MA	DSP BOARD ASY	RTD250		20368280	
CN315	N/S/P	CONN 2.5MM 2 MA ST NAT 0 0	MAIN BOARD ASY	RTD250		55078300	
CN316	N/S/P	CONN 2.5MM 3 MA ST NAT 0 0	MAIN BOARD ASY	RTD250		55078250	
CN317	N/S/P	CONN 2.5MM 7 MA ST NAT 0 0	MAIN BOARD ASY	RTD250		55090120	
CN318	N/S/P	CON 3.96MM PITCH HEADER 3 POS	MAIN BOARD ASY	RTD250		55048850	
CN319	249354	CONNECTOR HEADER 2 POS	TRANSFORMER BD ASY	RTD250	S	5504884A	
CN320	263014	CABLE 19P 160MM	DRIVER BOARD ASY	RTD250		5562197A	
CN320A	260969	CONNECTOR 19P 1.25MM	DRIVER BOARD ASY	RTD250		55124600	
CN321	N/S/P	CONN 2.5MM 3 MA ST NAT 0 0	MAIN BOARD ASY	RTD250		55078250	
CN322	N/S/P	CONN 2.5MM 2 MA ST NAT 0 0	MAIN BOARD ASY	RTD250		55146560	
CP306	257910	CABLE 9P 300MM	FRONT BOARD ASY	RTD250		55063040	
CP308	263000	CABLE 9P 420MM	FRONT BOARD ASY	RTD250		55641720	
CP310	262276	CABLE 2P 200MM	DRIVER BOARD ASY	RTD250		20364230	
CP311	257219	CONNECTOR 2P 200MM	DRIVER BOARD ASY	RTD250		20939520	
CP312	262275	CABLE 3P 120MM	DRIVER BOARD ASY	RTD250		20653760	
CP312	263015	CABLE 3P 220MM	DRIVER BOARD ASY	RTD250		55323950	
CP313	263001	CABLE 8P 300MM	FRONT BOARD ASY	RTD250		55324070	
CP314	263002	CABLE 4P 520MM	FRONT BOARD ASY	RTD250		55630350	
CP316	257580	CABLE 3P 180MM	TRANSFORMER BD ASY	RTD250		55324320	
D101	248145	DIODE ZENER 7.5V 1/2W BZX55C7V	I/O BOARD ASY	RTD250		80444150	
D101	206077	DIODE LL4148	MAIN BOARD ASY	RTD250		16012450	
D101	257370	DIODE 1N4002 100.0V 1A	FRONT BOARD ASY	RTD250		20415050	
D101	257370	DIODE 1N4002 100.0V 1A	TRANSFORMER BD ASY	RTD250		20415050	
D102	246515	DIODE ZENER 0.5W Z5V6	FRONT BOARD ASY	RTD250		20414280	
D102	248145	DIODE ZENER 7.5V 1/2W BZX55C7V	I/O BOARD ASY	RTD250		80444150	
D102	206077	DIODE LL4148	MAIN BOARD ASY	RTD250		16012450	
D102	257370	DIODE 1N4002 100.0V 1A	TRANSFORMER BD ASY	RTD250		20415050	
D103	262995	DIODE ZENER 1N5228B 3.9V 1/2W	FRONT BOARD ASY	RTD250		20526920	
D103	206077	DIODE LL4148	MAIN BOARD ASY	RTD250		16012450	
D103	257370	DIODE 1N4002 100.0V 1A	TRANSFORMER BD ASY	RTD250		20415050	
D104	206077	DIODE LL4148	MAIN BOARD ASY	RTD250		16012450	
D104	257370	DIODE 1N4002 100.0V 1A	TRANSFORMER BD ASY	RTD250		20415050	
D105	257146	DIODE EK03 50.0V	MAIN BOARD ASY	RTD250		55190980	
D105	257370	DIODE 1N4002 100.0V 1A	TRANSFORMER BD ASY	RTD250		20415050	
D106	257146	DIODE EK03 50.0V	MAIN BOARD ASY	RTD250		55190980	
D107	257146	DIODE EK03 50.0V	MAIN BOARD ASY	RTD250		55190980	
D108	257146	DIODE EK03 50.0V	MAIN BOARD ASY	RTD250		55190980	
D109	198589	DIODE 1N4148	FRONT BOARD ASY	RTD250		70436540	
D109	257146	DIODE EK03 50.0V	MAIN BOARD ASY	RTD250		55190980	
D110	198589	DIODE 1N4148	FRONT BOARD ASY	RTD250		70436540	
D110	257146	DIODE EK03 50.0V	MAIN BOARD ASY	RTD250		55190980	
D111	198589	DIODE 1N4148	FRONT BOARD ASY	RTD250		70436540	
D111	257146	DIODE EK03 50.0V	MAIN BOARD ASY	RTD250		55190980	
D112	198589	DIODE 1N4148	FRONT BOARD ASY	RTD250		70436540	
D112	257146	DIODE EK03 50.0V	MAIN BOARD ASY	RTD250		55190980	
D113	198589	DIODE 1N4148	FRONT BOARD ASY	RTD250		70436540	
D113	257146	DIODE EK03 50.0V	MAIN BOARD ASY	RTD250		55190980	
D114	198589	DIODE 1N4148	FRONT BOARD ASY	RTD250		70436540	

Symbol	Stock	Description	Circuit	Model	TypeCode	Drawing	Notes
D114	257146	DIODE EK03 50.0V	MAIN BOARD ASY	RTD250		55190980	
D115	198589	DIODE 1N4148	FRONT BOARD ASY	RTD250		70436540	
D115	257146	DIODE EK03 50.0V	MAIN BOARD ASY	RTD250		55190980	
D116	198589	DIODE 1N4148	FRONT BOARD ASY	RTD250		70436540	
D116	257146	DIODE EK03 50.0V	MAIN BOARD ASY	RTD250		55190980	
D117	198589	DIODE 1N4148	FRONT BOARD ASY	RTD250		70436540	
D201	206077	DIODE LL4148	FRONT BOARD ASY	RTD250		16012450	
D201	223452	DIODE 1SS355	DSP BOARD ASY	RTD250		20496510	
D201	263013	DIODE-ZENER 1N5237B 8.2V 1/2W	DRIVER BOARD ASY	RTD250		20414310	
D201	206077	DIODE LL4148	MAIN BOARD ASY	RTD250		16012450	
D202	263013	DIODE-ZENER 1N5237B 8.2V 1/2W	DRIVER BOARD ASY	RTD250		20414310	
D202	206077	DIODE LL4148	MAIN BOARD ASY	RTD250		16012450	
D203	206077	DIODE LL4148	MAIN BOARD ASY	RTD250		16012450	
D204	248140	DIODE ZENER 5.1V 1/2W 1N5231B	I/O BOARD ASY	RTD250		20526960	
D204	206077	DIODE LL4148	MAIN BOARD ASY	RTD250		16012450	
D205	248140	DIODE ZENER 5.1V 1/2W 1N5231B	I/O BOARD ASY	RTD250		20526960	
D205	206077	DIODE LL4148	MAIN BOARD ASY	RTD250		16012450	
D206	257286	DIODE ZENER 1N5234B 6.2V 1/2W	MAIN BOARD ASY	RTD250		20526980	
D207	257286	DIODE ZENER 1N5234B 6.2V 1/2W	MAIN BOARD ASY	RTD250		20526980	
D209	206077	DIODE LL4148	MAIN BOARD ASY	RTD250		16012450	
D210	198589	DIODE 1N4148	I/O BOARD ASY	RTD250		70436540	
D211	198589	DIODE 1N4148	I/O BOARD ASY	RTD250		70436540	
D301	198589	DIODE 1N4148	DSP BOARD ASY	RTD250		70436540	
D301	206077	DIODE LL4148	MAIN BOARD ASY	RTD250		16012450	
D302	198589	DIODE 1N4148	DSP BOARD ASY	RTD250		70436540	
D302	206077	DIODE LL4148	MAIN BOARD ASY	RTD250		16012450	
D305	206077	DIODE LL4148	MAIN BOARD ASY	RTD250		16012450	
D401	249217	DIODE 1N5402 200.0V 3.0A	MAIN BOARD ASY	RTD250	S	55041640	
D402	249217	DIODE 1N5402 200.0V 3.0A	MAIN BOARD ASY	RTD250	S	55041640	
D403	249217	DIODE 1N5402 200.0V 3.0A	MAIN BOARD ASY	RTD250	S	55041640	
D404	249217	DIODE 1N5402 200.0V 3.0A	MAIN BOARD ASY	RTD250	S	55041640	
D405	249217	DIODE 1N5402 200.0V 3.0A	MAIN BOARD ASY	RTD250	S	55041640	
D406	249217	DIODE 1N5402 200.0V 3.0A	MAIN BOARD ASY	RTD250	S	55041640	
D501	201066	DIODE 1N5392	MAIN BOARD ASY	RTD250	S	20506220	
D502	201066	DIODE 1N5392	MAIN BOARD ASY	RTD250	S	20506220	
D503	201066	DIODE 1N5392	MAIN BOARD ASY	RTD250	S	20506220	
D504	201066	DIODE 1N5392	MAIN BOARD ASY	RTD250	S	20506220	
D505	257370	DIODE 1N4002 100.0V 1A	MAIN BOARD ASY	RTD250		20415050	
D506	246500	DIODE 1N4751A 1W	MAIN BOARD ASY	RTD250		20743260	
D507	246343	DIODE ZENER 6.8V 1/2W 1N5235B	MAIN BOARD ASY	RTD250		20526990	
D508	201066	DIODE 1N5392	MAIN BOARD ASY	RTD250		20506220	
D509	201066	DIODE 1N5392	MAIN BOARD ASY	RTD250		20506220	
D601	257370	DIODE 1N4002 100.0V 1A	MAIN BOARD ASY	RTD250	S	20415050	
D602	257370	DIODE 1N4002 100.0V 1A	MAIN BOARD ASY	RTD250	S	20415050	
D603	257370	DIODE 1N4002 100.0V 1A	MAIN BOARD ASY	RTD250	S	20415050	
D604	257370	DIODE 1N4002 100.0V 1A	MAIN BOARD ASY	RTD250	S	20415050	
D701	258059	DIODE BRDHC G5SBA 60 600.0V	MAIN BOARD ASY	RTD250	S	55192330	
D701	198589	DIODE 1N4148	DSP BOARD ASY	RTD250		70436540	

Symbol	Stock	Description	Circuit	Model	TypeCode	Drawing	Notes
D702	257131	DIODE 1SS133 35.0V	MAIN BOARD ASY	RTD250		20494150	
D801	246343	DIODE ZENER 6.8V 1/2W IN5235B	DSP BOARD ASY	RTD250		20526990	
D802	246343	DIODE ZENER 6.8V 1/2W IN5235B	DSP BOARD ASY	RTD250		20526990	
D803	248140	DIODE ZENER 5.1V 1/2W 1N5231B	DSP BOARD ASY	RTD250		20526960	
D804	198589	DIODE 1N4148	DSP BOARD ASY	RTD250		70436540	
D805	198589	DIODE 1N4148	DSP BOARD ASY	RTD250		70436540	
D806	198589	DIODE 1N4148	DSP BOARD ASY	RTD250		70436540	
DVD CHANGER	265090	DVD CHANGER/MECH ASSEMBLY	NEO5 ASY	RTD250		55552130	DVD MECH & 5-DISC CHANGER ASSEMBLY
EN101	249282	ENCODER ROTARY 5V	FRONT BOARD ASY	RTD250		55064450	
F101	252837	FUSE 4.0 A 125.0 V	TRANSFORMER BD ASY	RTD250		20828770	
F401	262984	FUSE 3.15 A 250 V	MAIN BOARD ASY	RTD250	S	55540330	
F501	253569	FUSE 2.5A 250V	MAIN BOARD ASY	RTD250	S	20576880	
FH101	252836	HOLDER FUSE	TRANSFORMER BD ASY	RTD250		55017140	
FH401	252836	HOLDER FUSE	MAIN BOARD ASY	RTD250		55017140	
FH501	252836	HOLDER FUSE	MAIN BOARD ASY	RTD250		55017140	
G201	N/S/P	TERMLUG GND N	I/O BOARD ASY	RTD250		55135980	
G301	N/S/P	TERMLUG GND N	DSP BOARD ASY	RTD250		55135980	
G701	N/S/P	TERMLUG GND N	MAIN BOARD ASY	RTD250		55135980	
G801	N/S/P	TERMLUG GND N	DSP BOARD ASY	RTD250		55135980	
IC101	262997	IC-MICROCONT MSP430F112IDW	FRONT BOARD ASY	RTD250		55673580	
IC101	238708	IC BA4558F	I/O BOARD ASY	RTD250		20976940	
IC101	263016	IC-LOGIC CD4094BE	DRIVER BOARD ASY	RTD250		20683030	
IC101	238708	IC BA4558F	DSP BOARD ASY	RTD250		20976940	
IC102	261033	IC-DISPLAY PT6315 VFD DRIVER	FRONT BOARD ASY	RTD250		55298040	
IC102	254535	IC-LOGIC BU4052BF MULTIPLEXER	I/O BOARD ASY	RTD250		20718780	
IC102	263017	IC-LOGIC CD4051BE MULTIPLEXER	DRIVER BOARD ASY	RTD250		55622760	
IC102	238708	IC BA4558F	DSP BOARD ASY	RTD250		20976940	
IC103	238708	IC BA4558F	DSP BOARD ASY	RTD250		20976940	
IC104	238708	IC BA4558F	DSP BOARD ASY	RTD250		20976940	
IC105	258092	IC-CONV CS4334-KS D/A	DSP BOARD ASY	RTD250		55251010	
IC201	254532	IC NJM2296 SURFACE MOUNT	I/O BOARD ASY	RTD250		55125370	
IC201	262985	IC-POWAMP STK402-370	MAIN BOARD ASY	RTD250	S	55602410	
IC201	251852	IC FAN8082	DRIVER BOARD ASY	RTD250	S	55116380	
IC201	258088	IC-CONV CS4360-KZ D/A	DSP BOARD ASY	RTD250		55162990	
IC202	251852	IC FAN8082	DRIVER BOARD ASY	RTD250	S	55116380	
IC202	258091	IC-CONV CS5333-KZ A/D	DSP BOARD ASY	RTD250		55162980	
IC301	262998	IC-LOGIC SN74HC245NSR OCTAL	FRONT BOARD ASY	RTD250		55693610	
IC301	262986	IC-POWAMP STK403-070	MAIN BOARD ASY	RTD250	S	55602430	
IC301	261157	IC-REGSPECKT KIA7029AF	DSP BOARD ASY	RTD250		15260970	
IC302	261170	IC-REGULADJ LM1117DTX	DSP BOARD ASY	RTD250		55328730	
IC303	251237	IC 74VHC157MX	DSP BOARD ASY	RTD250		55179270	
IC401	261157	IC-REGSPECKT KIA7029AF	FRONT BOARD ASY	RTD250		15260970	
IC401	262987	IC-REGPOFXD KIA78R05API	MAIN BOARD ASY	RTD250	S	55157270	
IC401	261166	IC-LOGIC 74VHC573MTC	DSP BOARD ASY	RTD250		55300030	
IC402	262988	IC-REGPOFXD KIA278R33PI	MAIN BOARD ASY	RTD250	S	55678780	
IC402	261166	IC-LOGIC 74VHC573MTC	DSP BOARD ASY	RTD250		55300030	
IC403	261166	IC-LOGIC 74VHC573MTC	DSP BOARD ASY	RTD250		55300030	
IC404	263006	IC-MEMFLASH M29W160ET70N6	DSP BOARD ASY	RTD250		5552334A	



Symbol	Stock	Description	Circuit	Model	TypeCode	Drawing	Notes
IC501	262229	IC-REGULADJ LM317P	MAIN BOARD ASY	RTD250	S	55344820	
IC501	263007	IC-MICROPROC ZIVA-5+	DSP BOARD ASY	RTD250		55680280	
IC502	261148	IC-DRAM 133M0 HZ 7N0	DSP BOARD ASY	RTD250		55300900	
IC503	261148	IC-DRAM 133M0 HZ 7N0	DSP BOARD ASY	RTD250		55300900	
IC601	251567	IC KIA7812API	MAIN BOARD ASY	RTD250	S	55094390	
IC601	261167	IC-LOGIC 74HCT574MTC	DSP BOARD ASY	RTD250		55300130	
IC602	251567	KIA7912PI	MAIN BOARD ASY	RTD250	S	55094440	
IC602	261168	IC-LOGIC 74HCT245MTC	DSP BOARD ASY	RTD250		55299930	
IC603	261168	IC-LOGIC 74HCT245MTC	DSP BOARD ASY	RTD250		55299930	
IC604	261167	IC-LOGIC 74HCT574MTC	DSP BOARD ASY	RTD250		55300130	
IC702	261175	IC-SPECFUNC BA7623F	DSP BOARD ASY	RTD250		55299740	
IC703	261175	IC-SPECFUNC BA7623F	DSP BOARD ASY	RTD250		55299740	
IC801	238708	IC BA4558F	DSP BOARD ASY	RTD250		20976940	
IC802	238708	IC BA4558F	DSP BOARD ASY	RTD250		20976940	
IC803	238708	IC BA4558F	DSP BOARD ASY	RTD250		20976940	
IC804	238708	IC BA4558F	DSP BOARD ASY	RTD250		20976940	
IC805	254531	IC-LOGIC BU4053BF MULTIPLEXER	DSP BOARD ASY	RTD250		20718770	
IC806	255933	IC M62446AFP D61G	DSP BOARD ASY	RTD250		5543536A	
IC807	257400	IC-POWAMP BH3544F HEADPHONE	DSP BOARD ASY	RTD250		55081330	
IC901	238708	IC BA4558F	DSP BOARD ASY	RTD250		20976940	
IC902	238708	IC BA4558F	DSP BOARD ASY	RTD250		20976940	
IC903	238708	IC BA4558F	DSP BOARD ASY	RTD250		20976940	
ICP501	257404	PROTECTOR IC	MAIN BOARD ASY	RTD250	S	55173540	
J001	256783	RES CMF 0 OHM 0% 1/16W	FRONT BOARD ASY	RTD250		10328750	
J001	205408	RES CMF 1/10W 0% 0R	I/O BOARD ASY	RTD250		80440510	
J001	256783	RES CMF 0 OHM 0% 1/16W	MAIN BOARD ASY	RTD250		10328750	
J002	205408	RES CMF 1/10W 0% 0R	FRONT BOARD ASY	RTD250		80440510	
J002	256783	RES CMF 0 OHM 0% 1/16W	I/O BOARD ASY	RTD250		10328750	
J002	256783	RES CMF 0 OHM 0% 1/16W	MAIN BOARD ASY	RTD250		10328750	
J003	256783	RES CMF 0 OHM 0% 1/16W	FRONT BOARD ASY	RTD250		10328750	
J003	256783	RES CMF 0 OHM 0% 1/16W	I/O BOARD ASY	RTD250		10328750	
J003	256783	RES CMF 0 OHM 0% 1/16W	MAIN BOARD ASY	RTD250		10328750	
J004	256783	RES CMF 0 OHM 0% 1/16W	FRONT BOARD ASY	RTD250		10328750	
J004	256783	RES CMF 0 OHM 0% 1/16W	I/O BOARD ASY	RTD250		10328750	
J004	256783	RES CMF 0 OHM 0% 1/16W	MAIN BOARD ASY	RTD250		10328750	
J005	256783	RES CMF 0 OHM 0% 1/16W	FRONT BOARD ASY	RTD250		10328750	
J005	205408	RES CMF 1/10W 0% 0R	I/O BOARD ASY	RTD250		80440510	
J005	256783	RES CMF 0 OHM 0% 1/16W	MAIN BOARD ASY	RTD250		10328750	
J006	256783	RES CMF 0 OHM 0% 1/16W	FRONT BOARD ASY	RTD250		10328750	
J006	256783	RES CMF 0 OHM 0% 1/16W	I/O BOARD ASY	RTD250		10328750	
J101	NONSTK	WIRE JUMPER	FRONT BOARD ASY	RTD250		55210010	
J101	NONSTK	WIRE JUMPER	I/O BOARD ASY	RTD250		55210010	
J101	NONSTK	WIRE JUMPER	DRIVER BOARD ASY	RTD250		55210010	
J101	NONSTK	WIRE JUMPER	MAIN BOARD ASY	RTD250		55210010	
J102	NONSTK	WIRE JUMPER	FRONT BOARD ASY	RTD250		55210010	
J102	NONSTK	WIRE JUMPER	I/O BOARD ASY	RTD250		55210010	
J102	NONSTK	WIRE JUMPER	MAIN BOARD ASY	RTD250		55210010	
J103	NONSTK	WIRE JUMPER	FRONT BOARD ASY	RTD250		55210010	

Symbol	Stock	Description	Circuit	Model	TypeCode	Drawing	Notes
J103	NONSTK	WIRE JUMPER	I/O BOARD ASY	RTD250		55210010	
J103	NONSTK	WIRE JUMPER	MAIN BOARD ASY	RTD250		55210010	
J104	NONSTK	WIRE JUMPER	FRONT BOARD ASY	RTD250		55210010	
J104	NONSTK	WIRE JUMPER	I/O BOARD ASY	RTD250		55210010	
J105	NONSTK	WIRE JUMPER	FRONT BOARD ASY	RTD250		55210010	
J106	NONSTK	WIRE JUMPER	FRONT BOARD ASY	RTD250		55210010	
J107	NONSTK	WIRE JUMPER	FRONT BOARD ASY	RTD250		55210010	
J201	NONSTK	WIRE JUMPER	I/O BOARD ASY	RTD250		20329200	
J201	NONSTK	WIRE JUMPER	FRONT BOARD ASY	RTD250		20329200	
J201	NONSTK	WIRE JUMPER	DRIVER BOARD ASY	RTD250		20329200	
J201	NONSTK	WIRE JUMPER	MAIN BOARD ASY	RTD250		20329200	
J202	NONSTK	WIRE JUMPER	I/O BOARD ASY	RTD250		20329200	
J202	NONSTK	WIRE JUMPER	FRONT BOARD ASY	RTD250		20329200	
J202	NONSTK	WIRE JUMPER	DRIVER BOARD ASY	RTD250		20329200	
J202	NONSTK	WIRE JUMPER	MAIN BOARD ASY	RTD250		20329200	
J203	NONSTK	WIRE JUMPER	I/O BOARD ASY	RTD250		20329200	
J203	NONSTK	WIRE JUMPER	FRONT BOARD ASY	RTD250		20329200	
J203	NONSTK	WIRE JUMPER	DRIVER BOARD ASY	RTD250		20329200	
J203	NONSTK	WIRE JUMPER	MAIN BOARD ASY	RTD250		20329200	
J204	NONSTK	WIRE JUMPER	I/O BOARD ASY	RTD250		20329200	
J204	NONSTK	WIRE JUMPER	FRONT BOARD ASY	RTD250		20329200	
J204	NONSTK	WIRE JUMPER	DRIVER BOARD ASY	RTD250		20329200	
J204	NONSTK	WIRE JUMPER	MAIN BOARD ASY	RTD250		20329200	
J205	NONSTK	WIRE JUMPER	I/O BOARD ASY	RTD250		20329200	
J205	NONSTK	WIRE JUMPER	FRONT BOARD ASY	RTD250		20329200	
J205	NONSTK	WIRE JUMPER	MAIN BOARD ASY	RTD250		20329200	
J206	NONSTK	WIRE JUMPER	FRONT BOARD ASY	RTD250		20329200	
J206	NONSTK	WIRE JUMPER	MAIN BOARD ASY	RTD250		20329200	
J207	NONSTK	WIRE JUMPER	FRONT BOARD ASY	RTD250		20329200	
J207	NONSTK	WIRE JUMPER	MAIN BOARD ASY	RTD250		20329200	
J208	NONSTK	WIRE JUMPER	FRONT BOARD ASY	RTD250		20329200	
J208	NONSTK	WIRE JUMPER	MAIN BOARD ASY	RTD250		20329200	
J209	NONSTK	WIRE JUMPER	MAIN BOARD ASY	RTD250		20329200	
J301	NONSTK	WIRE JUMPER	I/O BOARD ASY	RTD250		20181860	
J301	NONSTK	WIRE JUMPER	FRONT BOARD ASY	RTD250		20181860	
J301	NONSTK	WIRE JUMPER	DRIVER BOARD ASY	RTD250		20181860	
J301	NONSTK	WIRE JUMPER	TRANSFORMER BD ASY	RTD250		20181860	
J301	NONSTK	WIRE JUMPER	MAIN BOARD ASY	RTD250		20181860	
J302	NONSTK	WIRE JUMPER	FRONT BOARD ASY	RTD250		20181860	
J302	NONSTK	WIRE JUMPER	I/O BOARD ASY	RTD250		20181860	
J302	NONSTK	WIRE JUMPER	DRIVER BOARD ASY	RTD250		20181860	
J302	NONSTK	WIRE JUMPER	MAIN BOARD ASY	RTD250		20181860	
J303	NONSTK	WIRE JUMPER	FRONT BOARD ASY	RTD250		20181860	
J303	NONSTK	WIRE JUMPER	I/O BOARD ASY	RTD250		20181860	
J303	NONSTK	WIRE JUMPER	DRIVER BOARD ASY	RTD250		20181860	
J303	NONSTK	WIRE JUMPER	MAIN BOARD ASY	RTD250		20181860	
J304	NONSTK	WIRE JUMPER	FRONT BOARD ASY	RTD250		20181860	
J304	NONSTK	WIRE JUMPER	I/O BOARD ASY	RTD250		20181860	

Symbol	Stock	Description	Circuit	Model	TypeCode	Drawing	Notes
J304	NONSTK	WIRE JUMPER	DRIVER BOARD ASY	RTD250		20181860	
J304	NONSTK	WIRE JUMPER	MAIN BOARD ASY	RTD250		20181860	
J305	NONSTK	WIRE JUMPER	FRONT BOARD ASY	RTD250		20181860	
J305	NONSTK	WIRE JUMPER	I/O BOARD ASY	RTD250		20181860	
J305	NONSTK	WIRE JUMPER	MAIN BOARD ASY	RTD250		20181860	
J306	NONSTK	WIRE JUMPER	FRONT BOARD ASY	RTD250		20181860	
J306	NONSTK	WIRE JUMPER	I/O BOARD ASY	RTD250		20181860	
J306	NONSTK	WIRE JUMPER	MAIN BOARD ASY	RTD250		20181860	
J307	NONSTK	WIRE JUMPER	FRONT BOARD ASY	RTD250		20181860	
J307	NONSTK	WIRE JUMPER	I/O BOARD ASY	RTD250		20181860	
J307	NONSTK	WIRE JUMPER	MAIN BOARD ASY	RTD250		20181860	
J308	NONSTK	WIRE JUMPER	FRONT BOARD ASY	RTD250		20181860	
J308	NONSTK	WIRE JUMPER	I/O BOARD ASY	RTD250		20181860	
J308	NONSTK	WIRE JUMPER	MAIN BOARD ASY	RTD250		20181860	
J309	NONSTK	WIRE JUMPER	FRONT BOARD ASY	RTD250		20181860	
J309	NONSTK	WIRE JUMPER	I/O BOARD ASY	RTD250		20181860	
J309	NONSTK	WIRE JUMPER	MAIN BOARD ASY	RTD250		20181860	
J310	NONSTK	WIRE JUMPER	FRONT BOARD ASY	RTD250		20181860	
J310	NONSTK	WIRE JUMPER	I/O BOARD ASY	RTD250		20181860	
J310	NONSTK	WIRE JUMPER	MAIN BOARD ASY	RTD250		20181860	
J311	NONSTK	WIRE JUMPER	FRONT BOARD ASY	RTD250		20181860	
J311	NONSTK	WIRE JUMPER	I/O BOARD ASY	RTD250		20181860	
J311	NONSTK	WIRE JUMPER	MAIN BOARD ASY	RTD250		20181860	
J312	NONSTK	WIRE JUMPER	I/O BOARD ASY	RTD250		20181860	
J312	NONSTK	WIRE JUMPER	MAIN BOARD ASY	RTD250		20181860	
J313	NONSTK	WIRE JUMPER	I/O BOARD ASY	RTD250		20181860	
J313	NONSTK	WIRE JUMPER	MAIN BOARD ASY	RTD250		20181860	
J314	NONSTK	WIRE JUMPER	I/O BOARD ASY	RTD250		20181860	
J314	NONSTK	WIRE JUMPER	MAIN BOARD ASY	RTD250		20181860	
J315	NONSTK	WIRE JUMPER	I/O BOARD ASY	RTD250		20181860	
J315	NONSTK	WIRE JUMPER	MAIN BOARD ASY	RTD250		20181860	
J316	NONSTK	WIRE JUMPER	I/O BOARD ASY	RTD250		20181860	
J316	NONSTK	WIRE JUMPER	MAIN BOARD ASY	RTD250		20181860	
J317	NONSTK	WIRE JUMPER	MAIN BOARD ASY	RTD250		20181860	
J401	NONSTK	WIRE JUMPER	FRONT BOARD ASY	RTD250		20329290	
J401	NONSTK	WIRE JUMPER	I/O BOARD ASY	RTD250		20329290	
J401	NONSTK	WIRE JUMPER	DRIVER BOARD ASY	RTD250		20329290	
J401	NONSTK	WIRE JUMPER	MAIN BOARD ASY	RTD250		20329290	
J402	NONSTK	WIRE JUMPER	FRONT BOARD ASY	RTD250		20329290	
J402	NONSTK	WIRE JUMPER	I/O BOARD ASY	RTD250		20329290	
J402	NONSTK	WIRE JUMPER	MAIN BOARD ASY	RTD250		20329290	
J403	NONSTK	WIRE JUMPER	FRONT BOARD ASY	RTD250		20329290	
J403	NONSTK	WIRE JUMPER	I/O BOARD ASY	RTD250		20329290	
J403	NONSTK	WIRE JUMPER	MAIN BOARD ASY	RTD250		20329290	
J404	NONSTK	WIRE JUMPER	FRONT BOARD ASY	RTD250		20329290	
J404	NONSTK	WIRE JUMPER	I/O BOARD ASY	RTD250		20329290	
J404	NONSTK	WIRE JUMPER	MAIN BOARD ASY	RTD250		20329290	
J405	NONSTK	WIRE JUMPER	FRONT BOARD ASY	RTD250		20329290	

Symbol	Stock	Description	Circuit	Model	TypeCode	Drawing	Notes
J405	NONSTK	WIRE JUMPER	I/O BOARD ASY	RTD250		20329290	
J405	NONSTK	WIRE JUMPER	MAIN BOARD ASY	RTD250		20329290	
J406	NONSTK	WIRE JUMPER	FRONT BOARD ASY	RTD250		20329290	
J406	NONSTK	WIRE JUMPER	MAIN BOARD ASY	RTD250		20329290	
J407	NONSTK	WIRE JUMPER	FRONT BOARD ASY	RTD250		20329290	
J407	NONSTK	WIRE JUMPER	MAIN BOARD ASY	RTD250		20329290	
J501	NONSTK	WIRE JUMPER	FRONT BOARD ASY	RTD250		20181870	
J501	NONSTK	WIRE JUMPER	I/O BOARD ASY	RTD250		20181870	
J501	NONSTK	WIRE JUMPER	DRIVER BOARD ASY	RTD250		20181870	
J501	NONSTK	WIRE JUMPER	MAIN BOARD ASY	RTD250		20181870	
J501	NONSTK	WIRE JUMPER	MAIN BOARD ASY	RTD250		20441260	
J502	NONSTK	WIRE JUMPER	I/O BOARD ASY	RTD250		20181870	
J502	NONSTK	WIRE JUMPER	MAIN BOARD ASY	RTD250		20181870	
J503	NONSTK	WIRE JUMPER	MAIN BOARD ASY	RTD250		20181870	
J504	NONSTK	WIRE JUMPER	MAIN BOARD ASY	RTD250		20181870	
J505	NONSTK	WIRE JUMPER	MAIN BOARD ASY	RTD250		20181870	
J506	NONSTK	WIRE JUMPER	MAIN BOARD ASY	RTD250		20181870	
J507	NONSTK	WIRE JUMPER	MAIN BOARD ASY	RTD250		20181870	
J508	NONSTK	WIRE JUMPER	MAIN BOARD ASY	RTD250		20181870	
J509	NONSTK	WIRE JUMPER	MAIN BOARD ASY	RTD250		20181870	
J510	NONSTK	WIRE JUMPER	MAIN BOARD ASY	RTD250		20181870	
J511	NONSTK	WIRE JUMPER	MAIN BOARD ASY	RTD250		20181870	
J512	NONSTK	WIRE JUMPER	MAIN BOARD ASY	RTD250		20181870	
J513	NONSTK	WIRE JUMPER	MAIN BOARD ASY	RTD250		20181870	
J514	NONSTK	WIRE JUMPER	MAIN BOARD ASY	RTD250		20181870	
J515	NONSTK	WIRE JUMPER	MAIN BOARD ASY	RTD250		20181870	
J516	NONSTK	WIRE JUMPER	MAIN BOARD ASY	RTD250		20181870	
J517	NONSTK	WIRE JUMPER	MAIN BOARD ASY	RTD250		20181870	
J518	NONSTK	WIRE JUMPER	MAIN BOARD ASY	RTD250		20181870	
J519	NONSTK	WIRE JUMPER	MAIN BOARD ASY	RTD250		20181870	
J520	NONSTK	WIRE JUMPER	MAIN BOARD ASY	RTD250		20181870	
J521	NONSTK	WIRE JUMPER	MAIN BOARD ASY	RTD250		20181870	
J522	NONSTK	WIRE JUMPER	MAIN BOARD ASY	RTD250		20181870	
J523	NONSTK	WIRE JUMPER	MAIN BOARD ASY	RTD250		20181870	
J524	NONSTK	WIRE JUMPER	MAIN BOARD ASY	RTD250		20181870	
J525	NONSTK	WIRE JUMPER	MAIN BOARD ASY	RTD250		20181870	
J526	NONSTK	WIRE JUMPER	MAIN BOARD ASY	RTD250		20181870	
J527	NONSTK	WIRE JUMPER	MAIN BOARD ASY	RTD250		20181870	
J601	NONSTK	WIRE JUMPER	FRONT BOARD ASY	RTD250		20637320	
J601	NONSTK	WIRE JUMPER	MAIN BOARD ASY	RTD250		20637320	
J601	NONSTK	WIRE JUMPER	I/O BOARD ASY	RTD250		20637320	
J601	NONSTK	WIRE JUMPER	DRIVER BOARD ASY	RTD250		20637320	
J601	NONSTK	WIRE JUMPER	TRANSFORMER BD ASY	RTD250		20637320	
J602	NONSTK	WIRE JUMPER	FRONT BOARD ASY	RTD250		20637320	
J602	NONSTK	WIRE JUMPER	MAIN BOARD ASY	RTD250		20637320	
J602	NONSTK	WIRE JUMPER	I/O BOARD ASY	RTD250		20637320	
J602	NONSTK	WIRE JUMPER	DRIVER BOARD ASY	RTD250		20637320	
J603	NONSTK	WIRE JUMPER	FRONT BOARD ASY	RTD250		20637320	

Symbol	Stock	Description	Circuit	Model	TypeCode	Drawing	Notes
J603	NONSTK	WIRE JUMPER	MAIN BOARD ASY	RTD250		20637320	
J603	NONSTK	WIRE JUMPER	I/O BOARD ASY	RTD250		20637320	
J603	NONSTK	WIRE JUMPER	DRIVER BOARD ASY	RTD250		20637320	
J604	NONSTK	WIRE JUMPER	FRONT BOARD ASY	RTD250		20637320	
J604	NONSTK	WIRE JUMPER	I/O BOARD ASY	RTD250		20637320	
J604	NONSTK	WIRE JUMPER	MAIN BOARD ASY	RTD250		20637320	
J604	NONSTK	WIRE JUMPER	DRIVER BOARD ASY	RTD250		20637320	
J605	NONSTK	WIRE JUMPER	FRONT BOARD ASY	RTD250		20637320	
J605	NONSTK	WIRE JUMPER	I/O BOARD ASY	RTD250		20637320	
J605	NONSTK	WIRE JUMPER	MAIN BOARD ASY	RTD250		20637320	
J606	NONSTK	WIRE JUMPER	FRONT BOARD ASY	RTD250		20637320	
J606	NONSTK	WIRE JUMPER	I/O BOARD ASY	RTD250		20637320	
J606	NONSTK	WIRE JUMPER	MAIN BOARD ASY	RTD250		20637320	
J607	NONSTK	WIRE JUMPER	FRONT BOARD ASY	RTD250		20637320	
J607	NONSTK	WIRE JUMPER	I/O BOARD ASY	RTD250		20637320	
J607	NONSTK	WIRE JUMPER	MAIN BOARD ASY	RTD250		20637320	
J608	NONSTK	WIRE JUMPER	FRONT BOARD ASY	RTD250		20637320	
J608	NONSTK	WIRE JUMPER	I/O BOARD ASY	RTD250		20637320	
J608	NONSTK	WIRE JUMPER	MAIN BOARD ASY	RTD250		20637320	
J609	NONSTK	WIRE JUMPER	FRONT BOARD ASY	RTD250		20637320	
J609	NONSTK	WIRE JUMPER	I/O BOARD ASY	RTD250		20637320	
J609	NONSTK	WIRE JUMPER	MAIN BOARD ASY	RTD250		20637320	
J610	NONSTK	WIRE JUMPER	FRONT BOARD ASY	RTD250		20637320	
J610	NONSTK	WIRE JUMPER	MAIN BOARD ASY	RTD250		20637320	
J611	NONSTK	WIRE JUMPER	FRONT BOARD ASY	RTD250		20637320	
J611	NONSTK	WIRE JUMPER	MAIN BOARD ASY	RTD250		20637320	
J612	NONSTK	WIRE JUMPER	MAIN BOARD ASY	RTD250		20637320	
J613	NONSTK	WIRE JUMPER	MAIN BOARD ASY	RTD250		20637320	
J614	NONSTK	WIRE JUMPER	MAIN BOARD ASY	RTD250		20637320	
J615	NONSTK	WIRE JUMPER	MAIN BOARD ASY	RTD250		20637320	
J616	NONSTK	WIRE JUMPER	MAIN BOARD ASY	RTD250		20637320	
J617	NONSTK	WIRE JUMPER	MAIN BOARD ASY	RTD250		20637320	
J618	NONSTK	WIRE JUMPER	MAIN BOARD ASY	RTD250		20637320	
J619	NONSTK	WIRE JUMPER	MAIN BOARD ASY	RTD250		20637320	
J620	NONSTK	WIRE JUMPER	MAIN BOARD ASY	RTD250		20637320	
J621	NONSTK	WIRE JUMPER	MAIN BOARD ASY	RTD250		20637320	
J622	NONSTK	WIRE JUMPER	MAIN BOARD ASY	RTD250		20637320	
J623	NONSTK	WIRE JUMPER	MAIN BOARD ASY	RTD250		20637320	
J624	NONSTK	WIRE JUMPER	MAIN BOARD ASY	RTD250		20637320	
J625	NONSTK	WIRE JUMPER	MAIN BOARD ASY	RTD250		20637320	
J626	NONSTK	WIRE JUMPER	MAIN BOARD ASY	RTD250		20637320	
J627	NONSTK	WIRE JUMPER	MAIN BOARD ASY	RTD250		20637320	
J628	NONSTK	WIRE JUMPER	MAIN BOARD ASY	RTD250		20637320	
J629	NONSTK	WIRE JUMPER	MAIN BOARD ASY	RTD250		20637320	
J630	NONSTK	WIRE JUMPER	MAIN BOARD ASY	RTD250		20637320	
J631	NONSTK	WIRE JUMPER	MAIN BOARD ASY	RTD250		20637320	
J632	NONSTK	WIRE JUMPER	MAIN BOARD ASY	RTD250		20637320	
J633	NONSTK	WIRE JUMPER	MAIN BOARD ASY	RTD250		20637320	

Symbol	Stock	Description	Circuit	Model	TypeCode	Drawing	Notes
JK201	258061	CONN JACK SPKR 8X	MAIN BOARD ASY	RTD250		55158030	
JK301	258062	CONN JACK SPKR 4X	MAIN BOARD ASY	RTD250		55158020	
JP101	NONSTK	WIRE JUMPER	TRANSFORMER BD ASY	RTD250		20329290	
JP102	NONSTK	WIRE JUMPER	TRANSFORMER BD ASY	RTD250		20329290	
L101	260694	FERRITE BEAD CHIP 2500OHM	FRONT BOARD ASY	RTD250		55126690	
L101	260694	FERRITE BEAD CHIP 2500OHM	I/O BOARD ASY	RTD250		55126690	
L101	263008	BEAD SURFACE MT 300OHM	DRIVER BOARD ASY	RTD250		55416360	
L101	263008	BEAD SURFACE MT 300OHM	DSP BOARD ASY	RTD250		55416360	
L102	260694	FERRITE BEAD CHIP 2500OHM	I/O BOARD ASY	RTD250		55126690	
L102	263008	BEAD SURFACE MT 300OHM	DSP BOARD ASY	RTD250		55416360	
L103	263008	BEAD SURFACE MT 300OHM	DSP BOARD ASY	RTD250		55416360	
L104	263008	BEAD SURFACE MT 300OHM	DSP BOARD ASY	RTD250		55416360	
L105	263008	BEAD SURFACE MT 300OHM	DSP BOARD ASY	RTD250		55416360	
L106	260694	FERRITE BEAD CHIP 2500OHM	DSP BOARD ASY	RTD250		55126690	
L107	260694	FERRITE BEAD CHIP 2500OHM	DSP BOARD ASY	RTD250		55126690	
L108	260694	FERRITE BEAD CHIP 2500OHM	DSP BOARD ASY	RTD250		55126690	
L201	260674	FERRITE BEADT 1000OHM	FRONT BOARD ASY	RTD250		55126670	
L201	250600	COIL AIR 1MM 10MM 7 TURNS	MAIN BOARD ASY	RTD250		21070690	
L201	260694	FERRITE BEAD CHIP 2500OHM	I/O BOARD ASY	RTD250		55126690	
L201	260694	FERRITE BEAD CHIP 2500OHM	DSP BOARD ASY	RTD250		55126690	
L202	260674	FERRITE BEADT 1000OHM	FRONT BOARD ASY	RTD250		55126670	
L202	250600	COIL AIR 1MM 10MM 7 TURNS	MAIN BOARD ASY	RTD250		21070690	
L202	260694	FERRITE BEAD CHIP 2500OHM	I/O BOARD ASY	RTD250		55126690	
L202	260694	FERRITE BEAD CHIP 2500OHM	DSP BOARD ASY	RTD250		55126690	
L203	260674	FERRITE BEADT 1000OHM	FRONT BOARD ASY	RTD250		55126670	
L203	250600	COIL AIR 1MM 10MM 7 TURNS	MAIN BOARD ASY	RTD250		21070690	
L203	260694	FERRITE BEAD CHIP 2500OHM	DSP BOARD ASY	RTD250		55126690	
L204	260674	FERRITE BEADT 1000OHM	FRONT BOARD ASY	RTD250		55126670	
L204	250600	COIL AIR 1MM 10MM 7 TURNS	MAIN BOARD ASY	RTD250		21070690	
L204	260694	FERRITE BEAD CHIP 2500OHM	DSP BOARD ASY	RTD250		55126690	
L205	250600	COIL AIR 1MM 10MM 7 TURNS	MAIN BOARD ASY	RTD250		21070690	
L205	260694	FERRITE BEAD CHIP 2500OHM	DSP BOARD ASY	RTD250		55126690	
L206	260694	FERRITE BEAD CHIP 2500OHM	DSP BOARD ASY	RTD250		55126690	
L207	260694	FERRITE BEAD CHIP 2500OHM	DSP BOARD ASY	RTD250		55126690	
L208	205408	RES CMF 1/10W 0% 0R	DSP BOARD ASY	RTD250		80440510	
L209	205408	RES CMF 1/10W 0% 0R	DSP BOARD ASY	RTD250		80440510	
L210	205408	RES CMF 1/10W 0% 0R	DSP BOARD ASY	RTD250		80440510	
L301	250600	COIL AIR 1MM 10MM 7 TURNS	MAIN BOARD ASY	RTD250		21070690	
L301	205408	RES CMF 1/10W 0% 0R	I/O BOARD ASY	RTD250		80440510	
L301	260694	FERRITE BEAD CHIP 2500OHM	DSP BOARD ASY	RTD250		55126690	
L302	250600	COIL AIR 1MM 10MM 7 TURNS	MAIN BOARD ASY	RTD250		21070690	
L302	205408	RES CMF 1/10W 0% 0R	I/O BOARD ASY	RTD250		80440510	
L302	263008	BEAD SURFACE MT 300OHM	DSP BOARD ASY	RTD250		55416360	
L303	205408	RES CMF 1/10W 0% 0R	I/O BOARD ASY	RTD250		80440510	
L303	263008	BEAD SURFACE MT 300OHM	DSP BOARD ASY	RTD250		55416360	
L304	205408	RES CMF 1/10W 0% 0R	I/O BOARD ASY	RTD250		80440510	
L304	263008	BEAD SURFACE MT 300OHM	DSP BOARD ASY	RTD250		55416360	
L305	205408	RES CMF 1/10W 0% 0R	I/O BOARD ASY	RTD250		80440510	

Symbol	Stock	Description	Circuit	Model	TypeCode	Drawing	Notes
L305	263008	BEAD SURFACE MT 300OHM	DSP BOARD ASY	RTD250		55416360	
L306	263008	BEAD SURFACE MT 300OHM	DSP BOARD ASY	RTD250		55416360	
L309	205408	RES CMF 1/10W 0% 0R	DSP BOARD ASY	RTD250		80440510	
L310	260674	FERRITE BEADT 1000OHM	DSP BOARD ASY	RTD250		55126670	
L311	260674	FERRITE BEADT 1000OHM	DSP BOARD ASY	RTD250		55126670	
L312	205408	RES CMF 1/10W 0% 0R	DSP BOARD ASY	RTD250		80440510	
L313	260674	FERRITE BEADT 1000OHM	DSP BOARD ASY	RTD250		55126670	
L314	263008	BEAD SURFACE MT 300OHM	DSP BOARD ASY	RTD250		55416360	
L315	263008	BEAD SURFACE MT 300OHM	DSP BOARD ASY	RTD250		55416360	
L316	263008	BEAD SURFACE MT 300OHM	DSP BOARD ASY	RTD250		55416360	
L317	263008	BEAD SURFACE MT 300OHM	DSP BOARD ASY	RTD250		55416360	
L318	263008	BEAD SURFACE MT 300OHM	DSP BOARD ASY	RTD250		55416360	
L319	263008	BEAD SURFACE MT 300OHM	DSP BOARD ASY	RTD250		55416360	
L320	263008	BEAD SURFACE MT 300OHM	DSP BOARD ASY	RTD250		55416360	
L321	263008	BEAD SURFACE MT 300OHM	DSP BOARD ASY	RTD250		55416360	
L322	261109	FBEAD BEAD 95OHM FERRITE BEAD	DSP BOARD ASY	RTD250		55128610	
L323	261109	FBEAD BEAD 95OHM FERRITE BEAD	DSP BOARD ASY	RTD250		55128610	
L324	205408	RES CMF 1/10W 0% 0R	DSP BOARD ASY	RTD250		80440510	
L325	263008	BEAD SURFACE MT 300OHM	DSP BOARD ASY	RTD250		55416360	
L326	263008	BEAD SURFACE MT 300OHM	DSP BOARD ASY	RTD250		55416360	
L327	263008	BEAD SURFACE MT 300OHM	DSP BOARD ASY	RTD250		55416360	
L328	263008	BEAD SURFACE MT 300OHM	DSP BOARD ASY	RTD250		55416360	
L329	263008	BEAD SURFACE MT 300OHM	DSP BOARD ASY	RTD250		55416360	
L330	263008	BEAD SURFACE MT 300OHM	DSP BOARD ASY	RTD250		55416360	
L331	263008	BEAD SURFACE MT 300OHM	DSP BOARD ASY	RTD250		55416360	
L332	263008	BEAD SURFACE MT 300OHM	DSP BOARD ASY	RTD250		55416360	
L333	263008	BEAD SURFACE MT 300OHM	DSP BOARD ASY	RTD250		55416360	
L334	205408	RES CMF 1/10W 0% 0R	DSP BOARD ASY	RTD250		80440510	
L335	260674	FERRITE BEADT 1000OHM	DSP BOARD ASY	RTD250		55126670	
L336	260694	FERRITE BEAD CHIP 2500OHM	DSP BOARD ASY	RTD250		55126690	
L501	260647	COIL LF-SMD 33UH +10%	DSP BOARD ASY	RTD250		14040520	
L502	263008	BEAD SURFACE MT 300OHM	DSP BOARD ASY	RTD250		55416360	
L503	256783	RES CMF 0 OHM 0% 1/16W	DSP BOARD ASY	RTD250		10328750	
L504	263008	BEAD SURFACE MT 300OHM	DSP BOARD ASY	RTD250		55416360	
L505	263008	BEAD SURFACE MT 300OHM	DSP BOARD ASY	RTD250		55416360	
L506	263008	BEAD SURFACE MT 300OHM	DSP BOARD ASY	RTD250		55416360	
L507	263008	BEAD SURFACE MT 300OHM	DSP BOARD ASY	RTD250		55416360	
L508	263008	BEAD SURFACE MT 300OHM	DSP BOARD ASY	RTD250		55416360	
L509	263008	BEAD SURFACE MT 300OHM	DSP BOARD ASY	RTD250		55416360	
L510	205408	RES CMF 1/10W 0% 0R	DSP BOARD ASY	RTD250		80440510	
L511	260674	FERRITE BEADT 1000OHM	DSP BOARD ASY	RTD250		55126670	
L512	260674	FERRITE BEADT 1000OHM	DSP BOARD ASY	RTD250		55126670	
L513	260674	FERRITE BEADT 1000OHM	DSP BOARD ASY	RTD250		55126670	
L514	260674	FERRITE BEADT 1000OHM	DSP BOARD ASY	RTD250		55126670	
L515	260674	FERRITE BEADT 1000OHM	DSP BOARD ASY	RTD250		55126670	
L516	260674	FERRITE BEADT 1000OHM	DSP BOARD ASY	RTD250		55126670	
L517	260674	FERRITE BEADT 1000OHM	DSP BOARD ASY	RTD250		55126670	
L518	263008	BEAD SURFACE MT 300OHM	DSP BOARD ASY	RTD250		55416360	

Symbol	Stock	Description	Circuit	Model	TypeCode	Drawing	Notes
L519	263008	BEAD SURFACE MT 300OHM	DSP BOARD ASY	RTD250		55416360	
L520	263008	BEAD SURFACE MT 300OHM	DSP BOARD ASY	RTD250		55416360	
L601	260694	FERRITE BEAD CHIP 2500OHM	DSP BOARD ASY	RTD250		55126690	
L602	261109	FBEAD BEAD 95OHM FERRITE BEAD	DSP BOARD ASY	RTD250		55128610	
L703	260674	FERRITE BEADT 1000OHM	DSP BOARD ASY	RTD250		55126670	
L704	260674	FERRITE BEADT 1000OHM	DSP BOARD ASY	RTD250		55126670	
L801	260694	FERRITE BEAD CHIP 2500OHM	DSP BOARD ASY	RTD250		55126690	
L802	260694	FERRITE BEAD CHIP 2500OHM	DSP BOARD ASY	RTD250		55126690	
L803	260694	FERRITE BEAD CHIP 2500OHM	DSP BOARD ASY	RTD250		55126690	
L804	260694	FERRITE BEAD CHIP 2500OHM	DSP BOARD ASY	RTD250		55126690	
L805	260694	FERRITE BEAD CHIP 2500OHM	DSP BOARD ASY	RTD250		55126690	
L806	260694	FERRITE BEAD CHIP 2500OHM	DSP BOARD ASY	RTD250		55126690	
L807	263008	BEAD SURFACE MT 300OHM	DSP BOARD ASY	RTD250		55416360	
L808	263008	BEAD SURFACE MT 300OHM	DSP BOARD ASY	RTD250		55416360	
L809	260694	FERRITE BEAD CHIP 2500OHM	DSP BOARD ASY	RTD250		55126690	
L901	260694	FERRITE BEAD CHIP 2500OHM	DSP BOARD ASY	RTD250		55126690	
L902	260694	FERRITE BEAD CHIP 2500OHM	DSP BOARD ASY	RTD250		55126690	
LC7	260674	FERRITE BEADT 1000OHM	DSP BOARD ASY	RTD250		55126670	
LED101	261040	DIODE 53B3SCB701	FRONT BOARD ASY	RTD250		55428540	
LED103	254521	DIODE, LTL-1CHE	FRONT BOARD ASY	RTD250		55125510	
LOGO	258053	LOGO RCA	CABINET ASY	RTD250		55423850	
MAGNE	263081	MAGNETIC PLATE	NEO5 ASY	RTD250		5555086A	
MAGNE	263077	MAGNET HOLDER	NEO5 ASY	RTD250		5555013A	
MAGNE	263079	MAGNET CLAMPER	NEO5 ASY	RTD250		5555014A	
MOTOR	260077	MOTOR DC VERYGOOD VRF-5	NEO5 ASY	RTD250		55517530	
NJ101	261193	CON PHONO SCKT RCA 3P	I/O BOARD ASY	RTD250		55510280	
NJ102	257121	CONNECTOR SOCKET RCA	I/O BOARD ASY	RTD250		55149520	
NJ103	258063	CON PHONO SCKT 9 PINS	I/O BOARD ASY	RTD250		55278730	
NJ201	248103	CONNECTOR PHONE	FRONT BOARD ASY	RTD250		20369030	
OP501	248292	DIODE OPTO LIGHT EMITTING	DSP BOARD ASY	RTD250		55035050	
PAD	262336	PAD PUSHER RUBBER	NEO5 ASY	RTD250		55798470	
PIN	263080	PIN ELEVATOR STEEL	NEO5 ASY	RTD250		55814480	
Q101	212671	TRANSISTOR KTC3203Y	FRONT BOARD ASY	RTD250		20538220	
Q101	246536	TRANSISTOR DTC3223TK	I/O BOARD ASY	RTD250		55039430	
Q101	246536	TRANSISTOR DTC3223TK	DSP BOARD ASY	RTD250		55039430	
Q101	246519	TRANSISTOR DTC114YKA	MAIN BOARD ASY	RTD250		55133180	
Q101	212671	TRANSISTOR KTC3203Y	TRANSFORMER BD ASY	RTD250	S	20538220	
Q102	246536	TRANSISTOR DTC3223TK	I/O BOARD ASY	RTD250		55039430	
Q102	246536	TRANSISTOR DTC3223TK	DSP BOARD ASY	RTD250		55039430	
Q102	246519	TRANSISTOR DTC114YKA	MAIN BOARD ASY	RTD250		55133180	
Q103	212671	TRANSISTOR KTC3203Y	FRONT BOARD ASY	RTD250		20538220	
Q103	246541	TRANSISTOR DTA114YKA	DSP BOARD ASY	RTD250		55133190	
Q103	246519	TRANSISTOR DTC114YKA	MAIN BOARD ASY	RTD250		55133180	
Q104	246519	TRANSISTOR DTC114YKA	DSP BOARD ASY	RTD250		55133180	
Q104	246519	TRANSISTOR DTC114YKA	MAIN BOARD ASY	RTD250		55133180	
Q105	246519	TRANSISTOR DTC114YKA	MAIN BOARD ASY	RTD250		55133180	
Q110	246849	TRANSISTOR KTD1302	MAIN BOARD ASY	RTD250		55133290	
Q111	246849	TRANSISTOR KTD1302	MAIN BOARD ASY	RTD250		55133290	



Symbol	Stock	Description	Circuit	Model	TypeCode	Drawing	Notes
Q112	246849	TRANSISTOR KTD1302	MAIN BOARD ASY	RTD250		55133290	
Q113	246849	TRANSISTOR KTD1302	MAIN BOARD ASY	RTD250		55133290	
Q114	246849	TRANSISTOR KTD1302	MAIN BOARD ASY	RTD250		55133290	
Q115	246849	TRANSISTOR KTD1302	MAIN BOARD ASY	RTD250		55133290	
Q201	257068	TRANSISTOR KTA1268	MAIN BOARD ASY	RTD250		55133230	
Q202	257068	TRANSISTOR KTA1268	MAIN BOARD ASY	RTD250		55133230	
Q203	257068	TRANSISTOR KTA1268	MAIN BOARD ASY	RTD250		55133230	
Q204	257068	TRANSISTOR KTA1268	MAIN BOARD ASY	RTD250		55133230	
Q208	257068	TRANSISTOR KTA1268	MAIN BOARD ASY	RTD250		55133230	
Q212	229736	TRANSISTOR KTC3198GR	MAIN BOARD ASY	RTD250		20508070	
Q213	262989	TRANSISTOR SHPLF 2SD2525 3.A	MAIN BOARD ASY	RTD250		55410650	
Q214	229736	TRANSISTOR KTC3198GR	MAIN BOARD ASY	RTD250		20508070	
Q216	212671	TRANSISTOR KTC3203Y	MAIN BOARD ASY	RTD250		20538220	
Q301	257068	TRANSISTOR KTA1268	MAIN BOARD ASY	RTD250		55133230	
Q302	257068	TRANSISTOR KTA1268	MAIN BOARD ASY	RTD250		55133230	
Q303	229736	TRANSISTOR KTC3198GR	MAIN BOARD ASY	RTD250		20508070	
Q306	229736	TRANSISTOR KTC3198GR	MAIN BOARD ASY	RTD250		20508070	
Q307	229736	TRANSISTOR KTC3198GR	MAIN BOARD ASY	RTD250		20508070	
Q308	229736	TRANSISTOR KTC3198GR	MAIN BOARD ASY	RTD250		20508070	
Q309	229736	TRANSISTOR KTC3198GR	MAIN BOARD ASY	RTD250		20508070	
Q311	212671	TRANSISTOR KTC3203Y	MAIN BOARD ASY	RTD250		20538220	
Q701	254540	TRANSISTOR KTC2874	DSP BOARD ASY	RTD250		55157120	
Q701	229733	TRANSISTOR KTA1266Y	MAIN BOARD ASY	RTD250		20508210	
Q702	246519	TRANSISTOR DTC114YKA	DSP BOARD ASY	RTD250		55133180	
Q702	229733	TRANSISTOR KTA1266Y	MAIN BOARD ASY	RTD250		20508210	
Q703	246536	TRANSISTOR DTC3223TK	DSP BOARD ASY	RTD250		55039430	
Q703	256712	TRANSISTOR, KTC3200	MAIN BOARD ASY	RTD250		20556600	
Q704	229733	TRANSISTOR KTA1266Y	MAIN BOARD ASY	RTD250		20508210	
Q801	246519	TRANSISTOR DTC114YKA	DSP BOARD ASY	RTD250		55133180	
Q802	246519	TRANSISTOR DTC114YKA	DSP BOARD ASY	RTD250		55133180	
R101	175312	RES CF 1/4W 5% 680R	FRONT BOARD ASY	RTD250		11059630	
R101	175317	RES CF 1/4W 5% 10K	DRIVER BOARD ASY	RTD250		30939480	
R101	180469	RES CF 1/4W 5% 18K	MAIN BOARD ASY	RTD250		11059690	
R101	260305	RES CHIP 1K 5% 1/16W	DSP BOARD ASY	RTD250		10135770	
R101	256435	RES CF 3.3M 10% 1/2W	TRANSFORMER BD ASY	RTD250	S	55180100	
R102	175040	RES CF 1/4W 5% 47R	FRONT BOARD ASY	RTD250		70430510	
R102	175045	RES CF 1/4W 5% 330R	DRIVER BOARD ASY	RTD250		60441550	
R102	180469	RES CF 1/4W 5% 18K	MAIN BOARD ASY	RTD250		11059690	
R102	256754	RES CMF 100K OHM 5% 1/16W	DSP BOARD ASY	RTD250		10135340	
R102	181098	RES CF 1/2W 5% 10R	TRANSFORMER BD ASY	RTD250		30939710	
R103	260305	RES CHIP 1K 5% 1/16W	FRONT BOARD ASY	RTD250		10135770	
R103	175317	RES CF 1/4W 5% 10K	DRIVER BOARD ASY	RTD250		30939480	
R103	180469	RES CF 1/4W 5% 18K	MAIN BOARD ASY	RTD250		11059690	
R103	256742	RES CMF 12K OHM 5% 1/16W	DSP BOARD ASY	RTD250		10135030	
R103	181098	RES CF 1/2W 5% 10R	TRANSFORMER BD ASY	RTD250		30939710	
R104	175045	RES CF 1/4W 5% 330R	I/O BOARD ASY	RTD250		60441550	
R104	175317	RES CF 1/4W 5% 10K	DRIVER BOARD ASY	RTD250		30939480	
R104	180469	RES CF 1/4W 5% 18K	MAIN BOARD ASY	RTD250		11059690	

Symbol	Stock	Description	Circuit	Model	TypeCode	Drawing	Notes
R104	253630	RES CMF 1/6W 5% 2.4K	DSP BOARD ASY	RTD250		10135870	
R104	202069	RES CF 1/4W 5% 1K	TRANSFORMER BD ASY	RTD250		11059640	
R105	175045	RES CF 1/4W 5% 330R	I/O BOARD ASY	RTD250		60441550	
R105	175317	RES CF 1/4W 5% 10K	DRIVER BOARD ASY	RTD250		30939480	
R105	256737	RES CMF 470 OHM 5% 1/16W	DSP BOARD ASY	RTD250		10134910	
R105	244078	RES CMF 1/16W 5% 1M	MAIN BOARD ASY	RTD250		20506750	
R106	256754	RES CMF 100K OHM 5% 1/16W	I/O BOARD ASY	RTD250		10135340	
R106	175322	RES CF 1/4W 5% 47K	DRIVER BOARD ASY	RTD250		40435670	
R106	256740	RES CMF 820 OHM 5% 1/16W	DSP BOARD ASY	RTD250		10134980	
R106	244078	RES CMF 1/16W 5% 1M	MAIN BOARD ASY	RTD250		20506750	
R107	256735	RES CMF 330 OHM 5% 1/16W	FRONT BOARD ASY	RTD250		10134870	
R107	256754	RES CMF 100K OHM 5% 1/16W	I/O BOARD ASY	RTD250		10135340	
R107	175317	RES CF 1/4W 5% 10K	DRIVER BOARD ASY	RTD250		30939480	
R107	256737	RES CMF 470 OHM 5% 1/16W	DSP BOARD ASY	RTD250		10134910	
R107	244078	RES CMF 1/16W 5% 1M	MAIN BOARD ASY	RTD250		20506750	
R108	175317	RES CF 1/4W 5% 10K	DRIVER BOARD ASY	RTD250		30939480	
R108	256744	RES CMF 18K OHM 5% 1/16W	I/O BOARD ASY	RTD250		10135080	
R108	246960	RES CMF 3.9K 5% 1/16W	DSP BOARD ASY	RTD250		10135920	
R108	244078	RES CMF 1/16W 5% 1M	MAIN BOARD ASY	RTD250		20506750	
R109	260305	RES CHIP 1K 5% 1/16W	FRONT BOARD ASY	RTD250		10135770	
R109	175317	RES CF 1/4W 5% 10K	DRIVER BOARD ASY	RTD250		30939480	
R109	256744	RES CMF 18K OHM 5% 1/16W	I/O BOARD ASY	RTD250		10135080	
R109	243375	RES CMF 1/16W 5% 4.7K	DSP BOARD ASY	RTD250		10135940	
R110	260305	RES CHIP 1K 5% 1/16W	FRONT BOARD ASY	RTD250		10135770	
R110	175317	RES CF 1/4W 5% 10K	DRIVER BOARD ASY	RTD250		30939480	
R110	256754	RES CMF 100K OHM 5% 1/16W	I/O BOARD ASY	RTD250		10135340	
R110	175042	RES CF 1/4W 5% 2200R	MAIN BOARD ASY	RTD250		20469460	
R110	256754	RES CMF 100K OHM 5% 1/16W	DSP BOARD ASY	RTD250		10135340	
R111	260305	RES CHIP 1K 5% 1/16W	FRONT BOARD ASY	RTD250		10135770	
R111	175317	RES CF 1/4W 5% 10K	DRIVER BOARD ASY	RTD250		30939480	
R111	256754	RES CMF 100K OHM 5% 1/16W	I/O BOARD ASY	RTD250		10135340	
R111	260305	RES CHIP 1K 5% 1/16W	DSP BOARD ASY	RTD250		10135770	
R111	260657	RES CMF 56K OHM +5% 1/16W	MAIN BOARD ASY	RTD250		10135240	
R112	260305	RES CHIP 1K 5% 1/16W	FRONT BOARD ASY	RTD250		10135770	
R112	175317	RES CF 1/4W 5% 10K	DRIVER BOARD ASY	RTD250		30939480	
R112	256744	RES CMF 18K OHM 5% 1/16W	I/O BOARD ASY	RTD250		10135080	
R112	256754	RES CMF 100K OHM 5% 1/16W	DSP BOARD ASY	RTD250		10135340	
R112	260657	RES CMF 56K OHM +5% 1/16W	MAIN BOARD ASY	RTD250		10135240	
R113	260305	RES CHIP 1K 5% 1/16W	FRONT BOARD ASY	RTD250		10135770	
R113	256744	RES CMF 18K OHM 5% 1/16W	I/O BOARD ASY	RTD250		10135080	
R113	256742	RES CMF 12K OHM 5% 1/16W	DSP BOARD ASY	RTD250		10135030	
R114	260305	RES CHIP 1K 5% 1/16W	FRONT BOARD ASY	RTD250		10135770	
R114	256741	RES CMF 10K OHM 5% 1/16W	I/O BOARD ASY	RTD250		10135010	
R114	175042	RES CF 1/4W 5% 2200R	MAIN BOARD ASY	RTD250		20469460	
R114	253630	RES CMF 1/6W 5% 2.4K	DSP BOARD ASY	RTD250		10135870	
R115	256741	RES CMF 10K OHM 5% 1/16W	I/O BOARD ASY	RTD250		10135010	
R115	256737	RES CMF 470 OHM 5% 1/16W	DSP BOARD ASY	RTD250		10134910	
R115	260657	RES CMF 56K OHM +5% 1/16W	MAIN BOARD ASY	RTD250		10135240	

Symbol	Stock	Description	Circuit	Model	TypeCode	Drawing	Notes
R116	256767	RES CMF 6.8K OHM 5% 1/16W	FRONT BOARD ASY	RTD250		10135980	
R116	256754	RES CMF 100K OHM 5% 1/16W	I/O BOARD ASY	RTD250		10135340	
R116	256740	RES CMF 820 OHM 5% 1/16W	DSP BOARD ASY	RTD250		10134980	
R117	260305	RES CHIP 1K 5% 1/16W	FRONT BOARD ASY	RTD250		10135770	
R117	256737	RES CMF 470 OHM 5% 1/16W	I/O BOARD ASY	RTD250		10134910	
R117	175042	RES CF 1/4W 5% 2200R	MAIN BOARD ASY	RTD250		20469460	
R117	256737	RES CMF 470 OHM 5% 1/16W	DSP BOARD ASY	RTD250		10134910	
R118	260305	RES CHIP 1K 5% 1/16W	FRONT BOARD ASY	RTD250		10135770	
R118	256754	RES CMF 100K OHM 5% 1/16W	I/O BOARD ASY	RTD250		10135340	
R118	256744	RES CMF 18K OHM 5% 1/16W	DSP BOARD ASY	RTD250		10135080	
R118	260657	RES CMF 56K OHM +5% 1/16W	MAIN BOARD ASY	RTD250		10135240	
R119	260305	RES CHIP 1K 5% 1/16W	FRONT BOARD ASY	RTD250		10135770	
R119	256737	RES CMF 470 OHM 5% 1/16W	I/O BOARD ASY	RTD250		10134910	
R119	256745	RES CMF 20K OHM 5% 1/16W	DSP BOARD ASY	RTD250		10135090	
R120	260305	RES CHIP 1K 5% 1/16W	FRONT BOARD ASY	RTD250		10135770	
R120	256754	RES CMF 100K OHM 5% 1/16W	I/O BOARD ASY	RTD250		10135340	
R120	175042	RES CF 1/4W 5% 2200R	MAIN BOARD ASY	RTD250		20469460	
R120	256754	RES CMF 100K OHM 5% 1/16W	DSP BOARD ASY	RTD250		10135340	
R121	256737	RES CMF 470 OHM 5% 1/16W	I/O BOARD ASY	RTD250		10134910	
R121	260305	RES CHIP 1K 5% 1/16W	DSP BOARD ASY	RTD250		10135770	
R121	260657	RES CMF 56K OHM +5% 1/16W	MAIN BOARD ASY	RTD250		10135240	
R122	256741	RES CMF 10K OHM 5% 1/16W	FRONT BOARD ASY	RTD250		10135010	
R122	256754	RES CMF 100K OHM 5% 1/16W	I/O BOARD ASY	RTD250		10135340	
R122	256754	RES CMF 100K OHM 5% 1/16W	DSP BOARD ASY	RTD250		10135340	
R123	256741	RES CMF 10K OHM 5% 1/16W	FRONT BOARD ASY	RTD250		10135010	
R123	256737	RES CMF 470 OHM 5% 1/16W	I/O BOARD ASY	RTD250		10134910	
R123	175042	RES CF 1/4W 5% 2200R	MAIN BOARD ASY	RTD250		20469460	
R123	256742	RES CMF 12K OHM 5% 1/16W	DSP BOARD ASY	RTD250		10135030	
R124	256741	RES CMF 10K OHM 5% 1/16W	FRONT BOARD ASY	RTD250		10135010	
R124	256754	RES CMF 100K OHM 5% 1/16W	I/O BOARD ASY	RTD250		10135340	
R124	253630	RES CMF 1/6W 5% 2.4K	DSP BOARD ASY	RTD250		10135870	
R124	260657	RES CMF 56K OHM +5% 1/16W	MAIN BOARD ASY	RTD250		10135240	
R125	256783	RES CMF 0 OHM 0% 1/16W	FRONT BOARD ASY	RTD250		10328750	
R125	256737	RES CMF 470 OHM 5% 1/16W	I/O BOARD ASY	RTD250		10134910	
R125	256737	RES CMF 470 OHM 5% 1/16W	DSP BOARD ASY	RTD250		10134910	
R126	256783	RES CMF 0 OHM 0% 1/16W	FRONT BOARD ASY	RTD250		10328750	
R126	256754	RES CMF 100K OHM 5% 1/16W	I/O BOARD ASY	RTD250		10135340	
R126	175042	RES CF 1/4W 5% 2200R	MAIN BOARD ASY	RTD250		20469460	
R126	256740	RES CMF 820 OHM 5% 1/16W	DSP BOARD ASY	RTD250		10134980	
R127	256730	RES CMF 100 OHM 5% 1/16W	FRONT BOARD ASY	RTD250		10134740	
R127	256737	RES CMF 470 OHM 5% 1/16W	I/O BOARD ASY	RTD250		10134910	
R127	256737	RES CMF 470 OHM 5% 1/16W	DSP BOARD ASY	RTD250		10134910	
R127	260657	RES CMF 56K OHM +5% 1/16W	MAIN BOARD ASY	RTD250		10135240	
R128	260305	RES CHIP 1K 5% 1/16W	FRONT BOARD ASY	RTD250		10135770	
R128	256754	RES CMF 100K OHM 5% 1/16W	I/O BOARD ASY	RTD250		10135340	
R128	256744	RES CMF 18K OHM 5% 1/16W	DSP BOARD ASY	RTD250		10135080	
R129	260305	RES CHIP 1K 5% 1/16W	FRONT BOARD ASY	RTD250		10135770	
R129	256737	RES CMF 470 OHM 5% 1/16W	I/O BOARD ASY	RTD250		10134910	

Symbol	Stock	Description	Circuit	Model	TypeCode	Drawing	Notes
R129	256745	RES CMF 20K OHM 5% 1/16W	DSP BOARD ASY	RTD250		10135090	
R129	256761	RES CMF 2.2K OHM 5% 1/16W	MAIN BOARD ASY	RTD250		10135860	
R130	260305	RES CHIP 1K 5% 1/16W	FRONT BOARD ASY	RTD250		10135770	
R130	256754	RES CMF 100K OHM 5% 1/16W	I/O BOARD ASY	RTD250		10135340	
R130	256754	RES CMF 100K OHM 5% 1/16W	DSP BOARD ASY	RTD250		10135340	
R130	243375	RES CMF 1/16W 5% 4.7K	MAIN BOARD ASY	RTD250		10135940	
R131	256754	RES CMF 100K OHM 5% 1/16W	FRONT BOARD ASY	RTD250		10135340	
R131	256737	RES CMF 470 OHM 5% 1/16W	I/O BOARD ASY	RTD250		10134910	
R131	260305	RES CHIP 1K 5% 1/16W	DSP BOARD ASY	RTD250		10135770	
R131	243375	RES CMF 1/16W 5% 4.7K	MAIN BOARD ASY	RTD250		10135940	
R132	256761	RES CMF 2.2K OHM 5% 1/16W	I/O BOARD ASY	RTD250		10135860	
R132	256753	RES CMF 82K OHM 5% 1/16W	FRONT BOARD ASY	RTD250		10135320	
R132	256754	RES CMF 100K OHM 5% 1/16W	DSP BOARD ASY	RTD250		10135340	
R132	243375	RES CMF 1/16W 5% 4.7K	MAIN BOARD ASY	RTD250		10135940	
R133	256761	RES CMF 2.2K OHM 5% 1/16W	I/O BOARD ASY	RTD250		10135860	
R133	256741	RES CMF 10K OHM 5% 1/16W	FRONT BOARD ASY	RTD250		10135010	
R133	256742	RES CMF 12K OHM 5% 1/16W	DSP BOARD ASY	RTD250		10135030	
R133	243375	RES CMF 1/16W 5% 4.7K	MAIN BOARD ASY	RTD250		10135940	
R134	256741	RES CMF 10K OHM 5% 1/16W	FRONT BOARD ASY	RTD250		10135010	
R134	253630	RES CMF 1/6W 5% 2.4K	DSP BOARD ASY	RTD250		10135870	
R134	243375	RES CMF 1/16W 5% 4.7K	MAIN BOARD ASY	RTD250		10135940	
R135	256754	RES CMF 100K OHM 5% 1/16W	I/O BOARD ASY	RTD250		10135340	
R135	256735	RES CMF 330 OHM 5% 1/16W	FRONT BOARD ASY	RTD250		10134870	
R135	256737	RES CMF 470 OHM 5% 1/16W	DSP BOARD ASY	RTD250		10134910	
R136	256754	RES CMF 100K OHM 5% 1/16W	I/O BOARD ASY	RTD250		10135340	
R136	256740	RES CMF 820 OHM 5% 1/16W	DSP BOARD ASY	RTD250		10134980	
R136	260305	RES CHIP 1K 5% 1/16W	FRONT BOARD ASY	RTD250		10135770	
R137	205308	RES CMF 1/10W 5% 10R	I/O BOARD ASY	RTD250		30944250	
R137	256737	RES CMF 470 OHM 5% 1/16W	DSP BOARD ASY	RTD250		10134910	
R137	260305	RES CHIP 1K 5% 1/16W	FRONT BOARD ASY	RTD250		10135770	
R138	256783	RES CMF 0 OHM 0% 1/16W	I/O BOARD ASY	RTD250		10328750	
R138	256744	RES CMF 18K OHM 5% 1/16W	DSP BOARD ASY	RTD250		10135080	
R138	256741	RES CMF 10K OHM 5% 1/16W	FRONT BOARD ASY	RTD250		10135010	
R139	256783	RES CMF 0 OHM 0% 1/16W	I/O BOARD ASY	RTD250		10328750	
R139	260305	RES CHIP 1K 5% 1/16W	FRONT BOARD ASY	RTD250		10135770	
R139	256745	RES CMF 20K OHM 5% 1/16W	DSP BOARD ASY	RTD250		10135090	
R139	256767	RES CMF 6.8K OHM 5% 1/16W	MAIN BOARD ASY	RTD250		10135980	
R140	256754	RES CMF 100K OHM 5% 1/16W	DSP BOARD ASY	RTD250		10135340	
R140	256767	RES CMF 6.8K OHM 5% 1/16W	MAIN BOARD ASY	RTD250		10135980	
R141	260305	RES CHIP 1K 5% 1/16W	DSP BOARD ASY	RTD250		10135770	
R141	256767	RES CMF 6.8K OHM 5% 1/16W	MAIN BOARD ASY	RTD250		10135980	
R142	256754	RES CMF 100K OHM 5% 1/16W	DSP BOARD ASY	RTD250		10135340	
R142	256767	RES CMF 6.8K OHM 5% 1/16W	MAIN BOARD ASY	RTD250		10135980	
R143	256742	RES CMF 12K OHM 5% 1/16W	DSP BOARD ASY	RTD250		10135030	
R143	256767	RES CMF 6.8K OHM 5% 1/16W	MAIN BOARD ASY	RTD250		10135980	
R144	253630	RES CMF 1/6W 5% 2.4K	DSP BOARD ASY	RTD250		10135870	
R144	256767	RES CMF 6.8K OHM 5% 1/16W	MAIN BOARD ASY	RTD250		10135980	
R145	256737	RES CMF 470 OHM 5% 1/16W	DSP BOARD ASY	RTD250		10134910	

Symbol	Stock	Description	Circuit	Model	TypeCode	Drawing	Notes
R146	256740	RES CMF 820 OHM 5% 1/16W	DSP BOARD ASY	RTD250		10134980	
R147	256737	RES CMF 470 OHM 5% 1/16W	DSP BOARD ASY	RTD250		10134910	
R148	256742	RES CMF 12K OHM 5% 1/16W	DSP BOARD ASY	RTD250		10135030	
R149	256743	RES CMF 15K OHM 5% 1/16W	DSP BOARD ASY	RTD250		10135050	
R150	256754	RES CMF 100K OHM 5% 1/16W	DSP BOARD ASY	RTD250		10135340	
R150	256754	RES CMF 100K OHM 5% 1/16W	MAIN BOARD ASY	RTD250		10135340	
R151	260305	RES CHIP 1K 5% 1/16W	DSP BOARD ASY	RTD250		10135770	
R151	256754	RES CMF 100K OHM 5% 1/16W	MAIN BOARD ASY	RTD250		10135340	
R152	256754	RES CMF 100K OHM 5% 1/16W	DSP BOARD ASY	RTD250		10135340	
R152	256754	RES CMF 100K OHM 5% 1/16W	MAIN BOARD ASY	RTD250		10135340	
R153	256742	RES CMF 12K OHM 5% 1/16W	DSP BOARD ASY	RTD250		10135030	
R153	256754	RES CMF 100K OHM 5% 1/16W	MAIN BOARD ASY	RTD250		10135340	
R154	253630	RES CMF 1/6W 5% 2.4K	DSP BOARD ASY	RTD250		10135870	
R154	256754	RES CMF 100K OHM 5% 1/16W	MAIN BOARD ASY	RTD250		10135340	
R155	256737	RES CMF 470 OHM 5% 1/16W	DSP BOARD ASY	RTD250		10134910	
R156	256740	RES CMF 820 OHM 5% 1/16W	DSP BOARD ASY	RTD250		10134980	
R157	256737	RES CMF 470 OHM 5% 1/16W	DSP BOARD ASY	RTD250		10134910	
R158	256742	RES CMF 12K OHM 5% 1/16W	DSP BOARD ASY	RTD250		10135030	
R159	256743	RES CMF 15K OHM 5% 1/16W	DSP BOARD ASY	RTD250		10135050	
R159	256754	RES CMF 100K OHM 5% 1/16W	MAIN BOARD ASY	RTD250		10135340	
R160	256754	RES CMF 100K OHM 5% 1/16W	DSP BOARD ASY	RTD250		10135340	
R161	261152	RES CMF 150R 5% 1/16W	DSP BOARD ASY	RTD250		10134780	
R162	261152	RES CMF 150R 5% 1/16W	DSP BOARD ASY	RTD250		10134780	
R163	256754	RES CMF 100K OHM 5% 1/16W	DSP BOARD ASY	RTD250		10135340	
R164	256764	RES CMF 3.3K OHM 5% 1/16W	DSP BOARD ASY	RTD250		10135900	
R165	260305	RES CHIP 1K 5% 1/16W	DSP BOARD ASY	RTD250		10135770	
R166	256754	RES CMF 100K OHM 5% 1/16W	DSP BOARD ASY	RTD250		10135340	
R167	243375	RES CMF 1/16W 5% 4.7K	DSP BOARD ASY	RTD250		10135940	
R168	256741	RES CMF 10K OHM 5% 1/16W	DSP BOARD ASY	RTD250		10135010	
R169	256741	RES CMF 10K OHM 5% 1/16W	DSP BOARD ASY	RTD250		10135010	
R170	256741	RES CMF 10K OHM 5% 1/16W	DSP BOARD ASY	RTD250		10135010	
R171	256741	RES CMF 10K OHM 5% 1/16W	DSP BOARD ASY	RTD250		10135010	
R172	252374	RES. CF 1/10W 5% 270K	DSP BOARD ASY	RTD250		10135440	
R173	256754	RES CMF 100K OHM 5% 1/16W	DSP BOARD ASY	RTD250		10135340	
R174	256764	RES CMF 3.3K OHM 5% 1/16W	DSP BOARD ASY	RTD250		10135900	
R175	260305	RES CHIP 1K 5% 1/16W	DSP BOARD ASY	RTD250		10135770	
R176	256754	RES CMF 100K OHM 5% 1/16W	DSP BOARD ASY	RTD250		10135340	
R177	243375	RES CMF 1/16W 5% 4.7K	DSP BOARD ASY	RTD250		10135940	
R178	256741	RES CMF 10K OHM 5% 1/16W	DSP BOARD ASY	RTD250		10135010	
R179	256741	RES CMF 10K OHM 5% 1/16W	DSP BOARD ASY	RTD250		10135010	
R180	256741	RES CMF 10K OHM 5% 1/16W	DSP BOARD ASY	RTD250		10135010	
R181	256741	RES CMF 10K OHM 5% 1/16W	DSP BOARD ASY	RTD250		10135010	
R182	252374	RES. CF 1/10W 5% 270K	DSP BOARD ASY	RTD250		10135440	
R183	261151	RES CMF 33R 5% 1/16W	DSP BOARD ASY	RTD250		10134590	
R184	261151	RES CMF 33R 5% 1/16W	DSP BOARD ASY	RTD250		10134590	
R185	261151	RES CMF 33R 5% 1/16W	DSP BOARD ASY	RTD250		10134590	
R186	261151	RES CMF 33R 5% 1/16W	DSP BOARD ASY	RTD250		10134590	
R187	256741	RES CMF 10K OHM 5% 1/16W	DSP BOARD ASY	RTD250		10135010	

Symbol	Stock	Description	Circuit	Model	TypeCode	Drawing	Notes
R201	261133	RES CF 2.2R 5% 1/2W	DRIVER BOARD ASY	RTD250	S	15050350	
R201	261151	RES CMF 33R 5% 1/16W	DSP BOARD ASY	RTD250		10134590	
R201	256743	RES CMF 15K OHM 5% 1/16W	FRONT BOARD ASY	RTD250		10135050	
R201	260657	RES CMF 56K OHM +5% 1/16W	MAIN BOARD ASY	RTD250		10135240	
R202	261133	RES CF 2.2R 5% 1/2W	DRIVER BOARD ASY	RTD250	S	15050350	
R202	175758	RES CF 1/4W 5% 1.8K	MAIN BOARD ASY	RTD250		80437010	
R202	261151	RES CMF 33R 5% 1/16W	DSP BOARD ASY	RTD250		10134590	
R202	256743	RES CMF 15K OHM 5% 1/16W	FRONT BOARD ASY	RTD250		10135050	
R203	260305	RES CHIP 1K 5% 1/16W	I/O BOARD ASY	RTD250		10135770	
R203	261151	RES CMF 33R 5% 1/16W	DSP BOARD ASY	RTD250		10134590	
R203	262999	RES VARISTOR 12.7 40V	FRONT BOARD ASY	RTD250		55742520	
R203	260657	RES CMF 56K OHM +5% 1/16W	MAIN BOARD ASY	RTD250		10135240	
R204	260305	RES CHIP 1K 5% 1/16W	I/O BOARD ASY	RTD250		10135770	
R204	175758	RES CF 1/4W 5% 1.8K	MAIN BOARD ASY	RTD250		80437010	
R204	261151	RES CMF 33R 5% 1/16W	DSP BOARD ASY	RTD250		10134590	
R204	262999	RES VARISTOR 12.7 40V	FRONT BOARD ASY	RTD250		55742520	
R205	260305	RES CHIP 1K 5% 1/16W	I/O BOARD ASY	RTD250		10135770	
R205	258231	RES WIREWOUND .27R 5W 5%	MAIN BOARD ASY	RTD250		55290550	
R205	261151	RES CMF 33R 5% 1/16W	DSP BOARD ASY	RTD250		10134590	
R205	262999	RES VARISTOR 12.7 40V	FRONT BOARD ASY	RTD250		55742520	
R206	190555	RES MF 1W 5% 220R	I/O BOARD ASY	RTD250		90572160	
R206	202069	RES CF 1/4W 5% 1K	MAIN BOARD ASY	RTD250		11059640	
R206	256783	RES CMF 0 OHM 0% 1/16W	DSP BOARD ASY	RTD250		10328750	
R206	262999	RES VARISTOR 12.7 40V	FRONT BOARD ASY	RTD250		55742520	
R207	190555	RES MF 1W 5% 220R	I/O BOARD ASY	RTD250		90572160	
R207	258231	RES WIREWOUND .27R 5W 5%	MAIN BOARD ASY	RTD250		55290550	
R207	261151	RES CMF 33R 5% 1/16W	DSP BOARD ASY	RTD250		10134590	
R208	256741	RES CMF 10K OHM 5% 1/16W	I/O BOARD ASY	RTD250		10135010	
R208	202069	RES CF 1/4W 5% 1K	MAIN BOARD ASY	RTD250		11059640	
R208	261151	RES CMF 33R 5% 1/16W	DSP BOARD ASY	RTD250		10134590	
R209	175756	RES CF 1/4W 5% 75R	I/O BOARD ASY	RTD250		70430520	
R209	202069	RES CF 1/4W 5% 1K	MAIN BOARD ASY	RTD250		11059640	
R209	261151	RES CMF 33R 5% 1/16W	DSP BOARD ASY	RTD250		10134590	
R210	205330	RES CMF 1/10W 5% 91R	I/O BOARD ASY	RTD250		50886520	
R210	258231	RES WIREWOUND .27R 5W 5%	MAIN BOARD ASY	RTD250		55290550	
R210	261151	RES CMF 33R 5% 1/16W	DSP BOARD ASY	RTD250		10134590	
R211	197619	RES CMF 1/10W 5% 75R	I/O BOARD ASY	RTD250		11066390	
R211	202069	RES CF 1/4W 5% 1K	MAIN BOARD ASY	RTD250		11059640	
R211	256741	RES CMF 10K OHM 5% 1/16W	DSP BOARD ASY	RTD250		10135010	
R212	256741	RES CMF 10K OHM 5% 1/16W	I/O BOARD ASY	RTD250		10135010	
R212	258231	RES WIREWOUND .27R 5W 5%	MAIN BOARD ASY	RTD250		55290550	
R212	256741	RES CMF 10K OHM 5% 1/16W	DSP BOARD ASY	RTD250		10135010	
R213	260305	RES CHIP 1K 5% 1/16W	I/O BOARD ASY	RTD250		10135770	
R213	176673	RES MF 1W 5% 100R	MAIN BOARD ASY	RTD250	S	11061580	
R214	256741	RES CMF 10K OHM 5% 1/16W	I/O BOARD ASY	RTD250		10135010	
R214	176673	RES MF 1W 5% 100R	MAIN BOARD ASY	RTD250	S	11061580	
R215	256741	RES CMF 10K OHM 5% 1/16W	I/O BOARD ASY	RTD250		10135010	
R215	175758	RES CF 1/4W 5% 1.8K	MAIN BOARD ASY	RTD250		80437010	

Symbol	Stock	Description	Circuit	Model	TypeCode	Drawing	Notes
R215	249338	RESMF 47K OHM +5% 62.5MW	DSP BOARD ASY	RTD250		10135220	
R216	175756	RES CF 1/4W 5% 75R	I/O BOARD ASY	RTD250		70430520	
R216	260305	RES CHIP 1K 5% 1/16W	DSP BOARD ASY	RTD250		10135770	
R216	260657	RES CMF 56K OHM +5% 1/16W	MAIN BOARD ASY	RTD250		10135240	
R217	195937	RES CMF 1/10W 5% 10K	I/O BOARD ASY	RTD250		50886610	
R217	175317	RES CF 1/4W 5% 10K	MAIN BOARD ASY	RTD250		30939480	
R218	197619	RES CMF 1/10W 5% 75R	I/O BOARD ASY	RTD250		11066390	
R218	260657	RES CMF 56K OHM +5% 1/16W	MAIN BOARD ASY	RTD250		10135240	
R219	175758	RES CF 1/4W 5% 1.8K	MAIN BOARD ASY	RTD250		80437010	
R220	175758	RES CF 1/4W 5% 1.8K	MAIN BOARD ASY	RTD250		80437010	
R221	260657	RES CMF 56K OHM +5% 1/16W	MAIN BOARD ASY	RTD250		10135240	
R222	258231	RES WIREWOUND .27R 5W 5%	MAIN BOARD ASY	RTD250		55290550	
R223	202069	RES CF 1/4W 5% 1K	MAIN BOARD ASY	RTD250		11059640	
R224	256743	RES CMF 15K OHM 5% 1/16W	MAIN BOARD ASY	RTD250		10135050	
R225	256746	RES CMF 22K OHM 5% 1/16W	MAIN BOARD ASY	RTD250		10135120	
R226	249338	RESMF 47K OHM +5% 62.5MW	MAIN BOARD ASY	RTD250		10135220	
R227	256746	RES CMF 22K OHM 5% 1/16W	MAIN BOARD ASY	RTD250		10135120	
R228	249338	RESMF 47K OHM +5% 62.5MW	MAIN BOARD ASY	RTD250		10135220	
R229	256743	RES CMF 15K OHM 5% 1/16W	MAIN BOARD ASY	RTD250		10135050	
R230	256743	RES CMF 15K OHM 5% 1/16W	MAIN BOARD ASY	RTD250		10135050	
R231	256743	RES CMF 15K OHM 5% 1/16W	MAIN BOARD ASY	RTD250		10135050	
R232	249338	RESMF 47K OHM +5% 62.5MW	MAIN BOARD ASY	RTD250		10135220	
R233	256746	RES CMF 22K OHM 5% 1/16W	MAIN BOARD ASY	RTD250		10135120	
R234	249338	RESMF 47K OHM +5% 62.5MW	MAIN BOARD ASY	RTD250		10135220	
R235	256746	RES CMF 22K OHM 5% 1/16W	MAIN BOARD ASY	RTD250		10135120	
R241	256746	RES CMF 22K OHM 5% 1/16W	MAIN BOARD ASY	RTD250		10135120	
R242	249338	RESMF 47K OHM +5% 62.5MW	MAIN BOARD ASY	RTD250		10135220	
R243	256743	RES CMF 15K OHM 5% 1/16W	MAIN BOARD ASY	RTD250		10135050	
R244	256742	RES CMF 12K OHM 5% 1/16W	MAIN BOARD ASY	RTD250		10135030	
R245	256741	RES CMF 10K OHM 5% 1/16W	MAIN BOARD ASY	RTD250		10135010	
R249	243806	RES MF 2W 5% 1.8K	MAIN BOARD ASY	RTD250		11070960	
R250	243806	RES MF 2W 5% 1.8K	MAIN BOARD ASY	RTD250		11070960	
R251	175042	RES CF 1/4W 5% 2200R	MAIN BOARD ASY	RTD250		20469460	
R253	180430	RES MF 1W 5% 4.7R	MAIN BOARD ASY	RTD250		20470280	
R254	223673	RES CF 1/4W 5% 4.7 OHM	MAIN BOARD ASY	RTD250		20472530	
R255	223673	RES CF 1/4W 5% 4.7 OHM	MAIN BOARD ASY	RTD250		20472530	
R256	180430	RES MF 1W 5% 4.7R	MAIN BOARD ASY	RTD250		20470280	
R257	180430	RES MF 1W 5% 4.7R	MAIN BOARD ASY	RTD250		20470280	
R258	223673	RES CF 1/4W 5% 4.7 OHM	MAIN BOARD ASY	RTD250		20472530	
R259	223673	RES CF 1/4W 5% 4.7 OHM	MAIN BOARD ASY	RTD250		20472530	
R260	180430	RES MF 1W 5% 4.7R	MAIN BOARD ASY	RTD250		20470280	
R261	180430	RES MF 1W 5% 4.7R	MAIN BOARD ASY	RTD250		20470280	
R262	223673	RES CF 1/4W 5% 4.7 OHM	MAIN BOARD ASY	RTD250		20472530	
R263	249338	RESMF 47K OHM +5% 62.5MW	MAIN BOARD ASY	RTD250		10135220	
R264	256761	RES CMF 2.2K OHM 5% 1/16W	MAIN BOARD ASY	RTD250		10135860	
R274	249820	RES MF 10 OHM 1W 5%	MAIN BOARD ASY	RTD250		55180190	
R275	249338	RESMF 47K OHM +5% 62.5MW	MAIN BOARD ASY	RTD250		10135220	
R276	256761	RES CMF 2.2K OHM 5% 1/16W	MAIN BOARD ASY	RTD250		10135860	

Symbol	Stock	Description	Circuit	Model	TypeCode	Drawing	Notes
R301	256728	RES CMF 75 OHM 5% 1/16W	I/O BOARD ASY	RTD250		10134710	
R301	175412	RES CF 1/4W 5% 470R	MAIN BOARD ASY	RTD250		50882970	
R301	256783	RES CMF 0 OHM 0% 1/16W	DSP BOARD ASY	RTD250		10328750	
R301	249039	RES CMF 1/16W 5% 1.8K	FRONT BOARD ASY	RTD250		10135840	
R302	256728	RES CMF 75 OHM 5% 1/16W	I/O BOARD ASY	RTD250		10134710	
R302	258231	RES WIREWOUND .27R 5W 5%	MAIN BOARD ASY	RTD250		55290550	
R302	260305	RES CHIP 1K 5% 1/16W	DSP BOARD ASY	RTD250		10135770	
R302	249039	RES CMF 1/16W 5% 1.8K	FRONT BOARD ASY	RTD250		10135840	
R303	256728	RES CMF 75 OHM 5% 1/16W	I/O BOARD ASY	RTD250		10134710	
R303	175412	RES CF 1/4W 5% 470R	MAIN BOARD ASY	RTD250		50882970	
R303	256942	RES CMF 220 OHM 5% 1/16W	DSP BOARD ASY	RTD250		10134830	
R303	249039	RES CMF 1/16W 5% 1.8K	FRONT BOARD ASY	RTD250		10135840	
R304	256741	RES CMF 10K OHM 5% 1/16W	I/O BOARD ASY	RTD250		10135010	
R304	258231	RES WIREWOUND .27R 5W 5%	MAIN BOARD ASY	RTD250		55290550	
R304	256730	RES CMF 100 OHM 5% 1/16W	DSP BOARD ASY	RTD250		10134740	
R305	256741	RES CMF 10K OHM 5% 1/16W	I/O BOARD ASY	RTD250		10135010	
R305	176673	RES MF 1W 5% 100R	MAIN BOARD ASY	RTD250		11061580	
R305	249338	RESMF 47K OHM +5% 62.5MW	DSP BOARD ASY	RTD250		10135220	
R306	256741	RES CMF 10K OHM 5% 1/16W	I/O BOARD ASY	RTD250		10135010	
R306	249039	RES CMF 1/16W 5% 1.8K	MAIN BOARD ASY	RTD250		10135840	
R307	197619	RES CMF 1/10W 5% 75R	I/O BOARD ASY	RTD250		11066390	
R307	256754	RES CMF 100K OHM 5% 1/16W	MAIN BOARD ASY	RTD250		10135340	
R308	197619	RES CMF 1/10W 5% 75R	I/O BOARD ASY	RTD250		11066390	
R308	256764	RES CMF 3.3K OHM 5% 1/16W	MAIN BOARD ASY	RTD250		10135900	
R309	256741	RES CMF 10K OHM 5% 1/16W	I/O BOARD ASY	RTD250		10135010	
R309	256741	RES CMF 10K OHM 5% 1/16W	MAIN BOARD ASY	RTD250		10135010	
R310	256741	RES CMF 10K OHM 5% 1/16W	I/O BOARD ASY	RTD250		10135010	
R310	256754	RES CMF 100K OHM 5% 1/16W	MAIN BOARD ASY	RTD250		10135340	
R311	260677	RES CMF 10 OHM +5% 1/16W	I/O BOARD ASY	RTD250		10134410	
R311	249039	RES CMF 1/16W 5% 1.8K	MAIN BOARD ASY	RTD250		10135840	
R312	256743	RES CMF 15K OHM 5% 1/16W	MAIN BOARD ASY	RTD250		10135050	
R313	249338	RESMF 47K OHM +5% 62.5MW	MAIN BOARD ASY	RTD250		10135220	
R314	256746	RES CMF 22K OHM 5% 1/16W	MAIN BOARD ASY	RTD250		10135120	
R315	249338	RESMF 47K OHM +5% 62.5MW	MAIN BOARD ASY	RTD250		10135220	
R316	256746	RES CMF 22K OHM 5% 1/16W	MAIN BOARD ASY	RTD250		10135120	
R317	256743	RES CMF 15K OHM 5% 1/16W	MAIN BOARD ASY	RTD250		10135050	
R318	256742	RES CMF 12K OHM 5% 1/16W	MAIN BOARD ASY	RTD250		10135030	
R319	260305	RES CHIP 1K 5% 1/16W	MAIN BOARD ASY	RTD250		10135770	
R320	262990	RES POSISTOR 100 OHM 16V	MAIN BOARD ASY	RTD250		55587390	
R324	180430	RES MF 1W 5% 4.7R	MAIN BOARD ASY	RTD250		20470280	
R325	223673	RES CF 1/4W 5% 4.7 OHM	MAIN BOARD ASY	RTD250		20472530	
R326	223673	RES CF 1/4W 5% 4.7 OHM	MAIN BOARD ASY	RTD250		20472530	
R327	180430	RES MF 1W 5% 4.7R	MAIN BOARD ASY	RTD250		20470280	
R328	256759	RES CMF 1.5K OHM 5% 1/16W	MAIN BOARD ASY	RTD250		10135820	
R329	256741	RES CMF 10K OHM 5% 1/16W	MAIN BOARD ASY	RTD250		10135010	
R330	256741	RES CMF 10K OHM 5% 1/16W	MAIN BOARD ASY	RTD250		10135010	
R333	256761	RES CMF 2.2K OHM 5% 1/16W	MAIN BOARD ASY	RTD250		10135860	
R334	249338	RESMF 47K OHM +5% 62.5MW	MAIN BOARD ASY	RTD250		10135220	



Symbol	Stock	Description	Circuit	Model	TypeCode	Drawing	Notes
R335	249820	RES MF 10 OHM 1W 5%	MAIN BOARD ASY	RTD250		55180190	
R336	256764	RES CMF 3.3K OHM 5% 1/16W	MAIN BOARD ASY	RTD250		10135900	
R337	256764	RES CMF 3.3K OHM 5% 1/16W	MAIN BOARD ASY	RTD250		10135900	
R338	256754	RES CMF 100K OHM 5% 1/16W	MAIN BOARD ASY	RTD250		10135340	
R339	256746	RES CMF 22K OHM 5% 1/16W	MAIN BOARD ASY	RTD250		10135120	
R340	256746	RES CMF 22K OHM 5% 1/16W	MAIN BOARD ASY	RTD250		10135120	
R401	186819	RESISTOR 1R 5% 1/4W	MAIN BOARD ASY	RTD250		11067570	
R401	261151	RES CMF 33R 5% 1/16W	DSP BOARD ASY	RTD250		10134590	
R402	186819	RESISTOR 1R 5% 1/4W	MAIN BOARD ASY	RTD250		11067570	
R402	256783	RES CMF 0 OHM 0% 1/16W	DSP BOARD ASY	RTD250		10328750	
R403	256783	RES CMF 0 OHM 0% 1/16W	DSP BOARD ASY	RTD250		10328750	
R403	175054	RES CF 1/4W 5% 22K	MAIN BOARD ASY	RTD250		60441580	
R404	261151	RES CMF 33R 5% 1/16W	DSP BOARD ASY	RTD250		10134590	
R404	175054	RES CF 1/4W 5% 22K	MAIN BOARD ASY	RTD250		60441580	
R501	176634	RES CF 1/4W 5% 6800R	MAIN BOARD ASY	RTD250		20469490	
R501	256744	RES CMF 18K OHM 5% 1/16W	DSP BOARD ASY	RTD250		10135080	
R502	179317	RES CF 1/4W 5% 750R	MAIN BOARD ASY	RTD250		30939460	
R504	260305	RES CHIP 1K 5% 1/16W	DSP BOARD ASY	RTD250		10135770	
R505	256741	RES CMF 10K OHM 5% 1/16W	DSP BOARD ASY	RTD250		10135010	
R505	175317	RES CF 1/4W 5% 10K	MAIN BOARD ASY	RTD250		30939480	
R506	260305	RES CHIP 1K 5% 1/16W	DSP BOARD ASY	RTD250		10135770	
R506	176796	RES CF 1/2W 5% 100R	MAIN BOARD ASY	RTD250		11060080	
R507	260305	RES CHIP 1K 5% 1/16W	DSP BOARD ASY	RTD250		10135770	
R508	256730	RES CMF 100 OHM 5% 1/16W	DSP BOARD ASY	RTD250		10134740	
R509	256730	RES CMF 100 OHM 5% 1/16W	DSP BOARD ASY	RTD250		10134740	
R510	256730	RES CMF 100 OHM 5% 1/16W	DSP BOARD ASY	RTD250		10134740	
R511	256730	RES CMF 100 OHM 5% 1/16W	DSP BOARD ASY	RTD250		10134740	
R512	249039	RES CMF 1/16W 5% 1.8K	DSP BOARD ASY	RTD250		10135840	
R513	256783	RES CMF 0 OHM 0% 1/16W	DSP BOARD ASY	RTD250		10328750	
R514	256783	RES CMF 0 OHM 0% 1/16W	DSP BOARD ASY	RTD250		10328750	
R515	256783	RES CMF 0 OHM 0% 1/16W	DSP BOARD ASY	RTD250		10328750	
R516	256783	RES CMF 0 OHM 0% 1/16W	DSP BOARD ASY	RTD250		10328750	
R517	256783	RES CMF 0 OHM 0% 1/16W	DSP BOARD ASY	RTD250		10328750	
R518	256783	RES CMF 0 OHM 0% 1/16W	DSP BOARD ASY	RTD250		10328750	
R519	256783	RES CMF 0 OHM 0% 1/16W	DSP BOARD ASY	RTD250		10328750	
R520	256783	RES CMF 0 OHM 0% 1/16W	DSP BOARD ASY	RTD250		10328750	
R521	260305	RES CHIP 1K 5% 1/16W	DSP BOARD ASY	RTD250		10135770	
R522	256741	RES CMF 10K OHM 5% 1/16W	DSP BOARD ASY	RTD250		10135010	
R523	256730	RES CMF 100 OHM 5% 1/16W	DSP BOARD ASY	RTD250		10134740	
R524	261151	RES CMF 33R 5% 1/16W	DSP BOARD ASY	RTD250		10134590	
R525	261151	RES CMF 33R 5% 1/16W	DSP BOARD ASY	RTD250		10134590	
R526	263008	BEAD SURFACE MT 300OHM	DSP BOARD ASY	RTD250		55416360	
R527	261151	RES CMF 33R 5% 1/16W	DSP BOARD ASY	RTD250		10134590	
R528	261151	RES CMF 33R 5% 1/16W	DSP BOARD ASY	RTD250		10134590	
R529	249041	RES CMF 1/16W 5% 1.2K	DSP BOARD ASY	RTD250		10135790	
R530	249041	RES CMF 1/16W 5% 1.2K	DSP BOARD ASY	RTD250		10135790	
R531	256741	RES CMF 10K OHM 5% 1/16W	DSP BOARD ASY	RTD250		10135010	
R532	261151	RES CMF 33R 5% 1/16W	DSP BOARD ASY	RTD250		10134590	

Symbol	Stock	Description	Circuit	Model	TypeCode	Drawing	Notes
R533	261151	RES CMF 33R 5% 1/16W	DSP BOARD ASY	RTD250		10134590	
R534	243375	RES CMF 1/16W 5% 4.7K	DSP BOARD ASY	RTD250		10135940	
R535	243375	RES CMF 1/16W 5% 4.7K	DSP BOARD ASY	RTD250		10135940	
R536	261151	RES CMF 33R 5% 1/16W	DSP BOARD ASY	RTD250		10134590	
R537	261156	RES CHIP ARRAY 100R 5% 1/16W	DSP BOARD ASY	RTD250		15395940	
R538	261156	RES CHIP ARRAY 100R 5% 1/16W	DSP BOARD ASY	RTD250		15395940	
R539	261156	RES CHIP ARRAY 100R 5% 1/16W	DSP BOARD ASY	RTD250		15395940	
R540	261155	RES CHIP ARRAY 33R 5% 1/16W	DSP BOARD ASY	RTD250		15334850	
R541	261155	RES CHIP ARRAY 33R 5% 1/16W	DSP BOARD ASY	RTD250		15334850	
R542	256741	RES CMF 10K OHM 5% 1/16W	DSP BOARD ASY	RTD250		10135010	
R543	256741	RES CMF 10K OHM 5% 1/16W	DSP BOARD ASY	RTD250		10135010	
R545	261151	RES CMF 33R 5% 1/16W	DSP BOARD ASY	RTD250		10134590	
R546	256783	RES CMF 0 OHM 0% 1/16W	DSP BOARD ASY	RTD250		10328750	
R601	254549	RES RMFF 27OHM +10% 1.0W	MAIN BOARD ASY	RTD250		55154180	
R601	256741	RES CMF 10K OHM 5% 1/16W	DSP BOARD ASY	RTD250		10135010	
R602	254549	RES RMFF 27OHM +10% 1.0W	MAIN BOARD ASY	RTD250		55154180	
R603	256741	RES CMF 10K OHM 5% 1/16W	DSP BOARD ASY	RTD250		10135010	
R604	256741	RES CMF 10K OHM 5% 1/16W	DSP BOARD ASY	RTD250		10135010	
R605	256741	RES CMF 10K OHM 5% 1/16W	DSP BOARD ASY	RTD250		10135010	
R608	256741	RES CMF 10K OHM 5% 1/16W	DSP BOARD ASY	RTD250		10135010	
R609	256741	RES CMF 10K OHM 5% 1/16W	DSP BOARD ASY	RTD250		10135010	
R610	256741	RES CMF 10K OHM 5% 1/16W	DSP BOARD ASY	RTD250		10135010	
R611	256741	RES CMF 10K OHM 5% 1/16W	DSP BOARD ASY	RTD250		10135010	
R612	256741	RES CMF 10K OHM 5% 1/16W	DSP BOARD ASY	RTD250		10135010	
R613	256741	RES CMF 10K OHM 5% 1/16W	DSP BOARD ASY	RTD250		10135010	
R614	256741	RES CMF 10K OHM 5% 1/16W	DSP BOARD ASY	RTD250		10135010	
R615	256741	RES CMF 10K OHM 5% 1/16W	DSP BOARD ASY	RTD250		10135010	
R616	256741	RES CMF 10K OHM 5% 1/16W	DSP BOARD ASY	RTD250		10135010	
R617	256741	RES CMF 10K OHM 5% 1/16W	DSP BOARD ASY	RTD250		10135010	
R621	256741	RES CMF 10K OHM 5% 1/16W	DSP BOARD ASY	RTD250		10135010	
R626	260305	RES CHIP 1K 5% 1/16W	DSP BOARD ASY	RTD250		10135770	
R628	260305	RES CHIP 1K 5% 1/16W	DSP BOARD ASY	RTD250		10135770	
R701	261152	RES CMF 150R 5% 1/16W	DSP BOARD ASY	RTD250		10134780	
R701	176629	RES CF 1/4W 5% 560R	MAIN BOARD ASY	RTD250		60441560	
R702	245856	RES WW .100R 5% 5W	MAIN BOARD ASY	RTD250		20696190	
R702	256731	RES CMF 120 OHM 5% 1/16W	DSP BOARD ASY	RTD250		10134760	
R703	245856	RES WW .100R 5% 5W	MAIN BOARD ASY	RTD250		20696190	
R703	256731	RES CMF 120 OHM 5% 1/16W	DSP BOARD ASY	RTD250		10134760	
R704	256730	RES CMF 100 OHM 5% 1/16W	DSP BOARD ASY	RTD250		10134740	
R704	178282	RES CF 1/4W 5% 270R	MAIN BOARD ASY	RTD250		11059610	
R705	260666	RES CMF 560K +5% 1/16W	MAIN BOARD ASY	RTD250		10135550	
R705	256730	RES CMF 100 OHM 5% 1/16W	DSP BOARD ASY	RTD250		10134740	
R706	256746	RES CMF 22K OHM 5% 1/16W	MAIN BOARD ASY	RTD250		10135120	
R707	256764	RES CMF 3.3K OHM 5% 1/16W	MAIN BOARD ASY	RTD250		10135900	
R708	260666	RES CMF 560K +5% 1/16W	MAIN BOARD ASY	RTD250		10135550	
R709	260305	RES CHIP 1K 5% 1/16W	DSP BOARD ASY	RTD250		10135770	
R709	175042	RES CF 1/4W 5% 2200R	MAIN BOARD ASY	RTD250		20469460	
R710	260305	RES CHIP 1K 5% 1/16W	DSP BOARD ASY	RTD250		10135770	

Symbol	Stock	Description	Circuit	Model	TypeCode	Drawing	Notes
R710	175042	RES CF 1/4W 5% 2200R	MAIN BOARD ASY	RTD250		20469460	
R711	260305	RES CHIP 1K 5% 1/16W	DSP BOARD ASY	RTD250		10135770	
R711	175042	RES CF 1/4W 5% 2200R	MAIN BOARD ASY	RTD250		20469460	
R712	260305	RES CHIP 1K 5% 1/16W	DSP BOARD ASY	RTD250		10135770	
R712	175042	RES CF 1/4W 5% 2200R	MAIN BOARD ASY	RTD250		20469460	
R713	260305	RES CHIP 1K 5% 1/16W	DSP BOARD ASY	RTD250		10135770	
R714	260305	RES CHIP 1K 5% 1/16W	DSP BOARD ASY	RTD250		10135770	
R715	260305	RES CHIP 1K 5% 1/16W	DSP BOARD ASY	RTD250		10135770	
R718	256741	RES CMF 10K OHM 5% 1/16W	DSP BOARD ASY	RTD250		10135010	
R719	260305	RES CHIP 1K 5% 1/16W	DSP BOARD ASY	RTD250		10135770	
R801	256738	RES CMF 560 OHM 5% 1/16W	DSP BOARD ASY	RTD250		10134930	
R802	256754	RES CMF 100K OHM 5% 1/16W	DSP BOARD ASY	RTD250		10135340	
R803	243375	RES CMF 1/16W 5% 4.7K	DSP BOARD ASY	RTD250		10135940	
R804	256767	RES CMF 6.8K OHM 5% 1/16W	DSP BOARD ASY	RTD250		10135980	
R805	256754	RES CMF 100K OHM 5% 1/16W	DSP BOARD ASY	RTD250		10135340	
R806	256754	RES CMF 100K OHM 5% 1/16W	DSP BOARD ASY	RTD250		10135340	
R807	243375	RES CMF 1/16W 5% 4.7K	DSP BOARD ASY	RTD250		10135940	
R808	256767	RES CMF 6.8K OHM 5% 1/16W	DSP BOARD ASY	RTD250		10135980	
R809	256761	RES CMF 2.2K OHM 5% 1/16W	DSP BOARD ASY	RTD250		10135860	
R810	256739	RES CMF 680 OHM 5% 1/16W	DSP BOARD ASY	RTD250		10134950	
R811	249041	RES CMF 1/16W 5% 1.2K	DSP BOARD ASY	RTD250		10135790	
R812	253630	RES CMF 1/6W 5% 2.4K	DSP BOARD ASY	RTD250		10135870	
R813	256764	RES CMF 3.3K OHM 5% 1/16W	DSP BOARD ASY	RTD250		10135900	
R814	256764	RES CMF 3.3K OHM 5% 1/16W	DSP BOARD ASY	RTD250		10135900	
R815	256739	RES CMF 680 OHM 5% 1/16W	DSP BOARD ASY	RTD250		10134950	
R816	249041	RES CMF 1/16W 5% 1.2K	DSP BOARD ASY	RTD250		10135790	
R817	256761	RES CMF 2.2K OHM 5% 1/16W	DSP BOARD ASY	RTD250		10135860	
R818	253630	RES CMF 1/6W 5% 2.4K	DSP BOARD ASY	RTD250		10135870	
R819	256764	RES CMF 3.3K OHM 5% 1/16W	DSP BOARD ASY	RTD250		10135900	
R820	256764	RES CMF 3.3K OHM 5% 1/16W	DSP BOARD ASY	RTD250		10135900	
R821	256739	RES CMF 680 OHM 5% 1/16W	DSP BOARD ASY	RTD250		10134950	
R822	249041	RES CMF 1/16W 5% 1.2K	DSP BOARD ASY	RTD250		10135790	
R823	256739	RES CMF 680 OHM 5% 1/16W	DSP BOARD ASY	RTD250		10134950	
R824	249041	RES CMF 1/16W 5% 1.2K	DSP BOARD ASY	RTD250		10135790	
R825	253630	RES CMF 1/6W 5% 2.4K	DSP BOARD ASY	RTD250		10135870	
R826	256764	RES CMF 3.3K OHM 5% 1/16W	DSP BOARD ASY	RTD250		10135900	
R827	256764	RES CMF 3.3K OHM 5% 1/16W	DSP BOARD ASY	RTD250		10135900	
R828	243481	RES MF 27 OHM +5% 1/16W	DSP BOARD ASY	RTD250		10135150	
R829	256738	RES CMF 560 OHM 5% 1/16W	DSP BOARD ASY	RTD250		10134930	
R830	256754	RES CMF 100K OHM 5% 1/16W	DSP BOARD ASY	RTD250		10135340	
R831	256754	RES CMF 100K OHM 5% 1/16W	DSP BOARD ASY	RTD250		10135340	
R851	260305	RES CHIP 1K 5% 1/16W	DSP BOARD ASY	RTD250		10135770	
R852	260305	RES CHIP 1K 5% 1/16W	DSP BOARD ASY	RTD250		10135770	
R853	260305	RES CHIP 1K 5% 1/16W	DSP BOARD ASY	RTD250		10135770	
R854	260305	RES CHIP 1K 5% 1/16W	DSP BOARD ASY	RTD250		10135770	
R855	260305	RES CHIP 1K 5% 1/16W	DSP BOARD ASY	RTD250		10135770	
R856	260305	RES CHIP 1K 5% 1/16W	DSP BOARD ASY	RTD250		10135770	
R857	243375	RES CMF 1/16W 5% 4.7K	DSP BOARD ASY	RTD250		10135940	

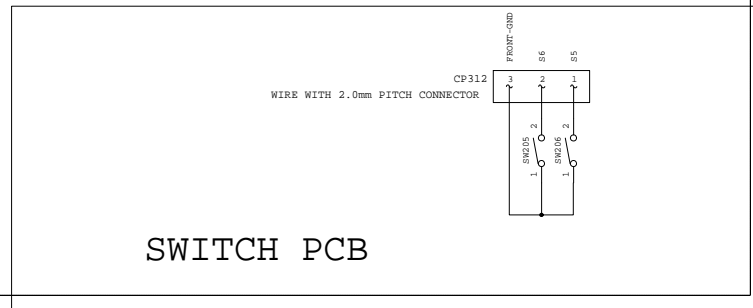
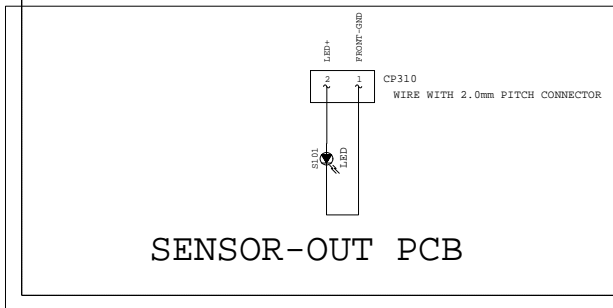
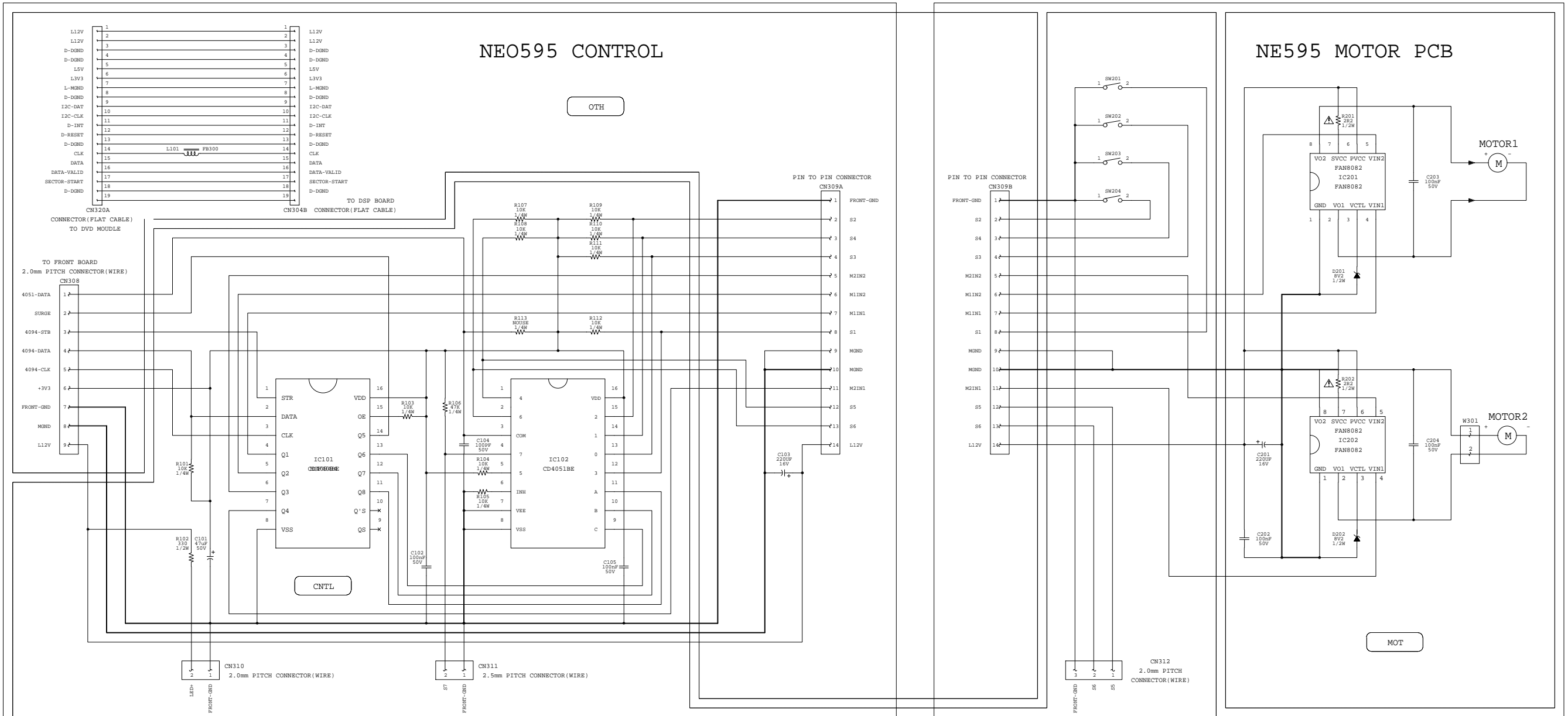
Symbol	Stock	Description	Circuit	Model	TypeCode	Drawing	Notes
R858	243375	RES CMF 1/16W 5% 4.7K	DSP BOARD ASY	RTD250		10135940	
R859	256744	RES CMF 18K OHM 5% 1/16W	DSP BOARD ASY	RTD250		10135080	
R860	256744	RES CMF 18K OHM 5% 1/16W	DSP BOARD ASY	RTD250		10135080	
R861	256744	RES CMF 18K OHM 5% 1/16W	DSP BOARD ASY	RTD250		10135080	
R862	256744	RES CMF 18K OHM 5% 1/16W	DSP BOARD ASY	RTD250		10135080	
R863	210245	RES CF 1/4W 5% 100R	DSP BOARD ASY	RTD250		50882950	
R864	176673	RES MF 1W 5% 100R	DSP BOARD ASY	RTD250		11061580	
R865	176673	RES MF 1W 5% 100R	DSP BOARD ASY	RTD250		11061580	
R866	256746	RES CMF 22K OHM 5% 1/16W	DSP BOARD ASY	RTD250		10135120	
R867	256746	RES CMF 22K OHM 5% 1/16W	DSP BOARD ASY	RTD250		10135120	
R868	256746	RES CMF 22K OHM 5% 1/16W	DSP BOARD ASY	RTD250		10135120	
R869	256746	RES CMF 22K OHM 5% 1/16W	DSP BOARD ASY	RTD250		10135120	
R870	260305	RES CHIP 1K 5% 1/16W	DSP BOARD ASY	RTD250		10135770	
R871	260305	RES CHIP 1K 5% 1/16W	DSP BOARD ASY	RTD250		10135770	
R872	260305	RES CHIP 1K 5% 1/16W	DSP BOARD ASY	RTD250		10135770	
R873	256730	RES CMF 100 OHM 5% 1/16W	DSP BOARD ASY	RTD250		10134740	
R874	256730	RES CMF 100 OHM 5% 1/16W	DSP BOARD ASY	RTD250		10134740	
R875	256741	RES CMF 10K OHM 5% 1/16W	DSP BOARD ASY	RTD250		10135010	
R876	256741	RES CMF 10K OHM 5% 1/16W	DSP BOARD ASY	RTD250		10135010	
R877	256754	RES CMF 100K OHM 5% 1/16W	DSP BOARD ASY	RTD250		10135340	
R878	256741	RES CMF 10K OHM 5% 1/16W	DSP BOARD ASY	RTD250		10135010	
R879	246960	RES CMF 3.9K 5% 1/16W	DSP BOARD ASY	RTD250		10135920	
R880	246960	RES CMF 3.9K 5% 1/16W	DSP BOARD ASY	RTD250		10135920	
R881	256741	RES CMF 10K OHM 5% 1/16W	DSP BOARD ASY	RTD250		10135010	
R901	256738	RES CMF 560 OHM 5% 1/16W	DSP BOARD ASY	RTD250		10134930	
R902	256754	RES CMF 100K OHM 5% 1/16W	DSP BOARD ASY	RTD250		10135340	
R903	249041	RES CMF 1/16W 5% 1.2K	DSP BOARD ASY	RTD250		10135790	
R904	256765	RES CMF 5.6K OHM 5% 1/16W	DSP BOARD ASY	RTD250		10135960	
R905	256754	RES CMF 100K OHM 5% 1/16W	DSP BOARD ASY	RTD250		10135340	
R906	260305	RES CHIP 1K 5% 1/16W	DSP BOARD ASY	RTD250		10135770	
R911	256738	RES CMF 560 OHM 5% 1/16W	DSP BOARD ASY	RTD250		10134930	
R912	256754	RES CMF 100K OHM 5% 1/16W	DSP BOARD ASY	RTD250		10135340	
R913	249041	RES CMF 1/16W 5% 1.2K	DSP BOARD ASY	RTD250		10135790	
R914	256765	RES CMF 5.6K OHM 5% 1/16W	DSP BOARD ASY	RTD250		10135960	
R915	256754	RES CMF 100K OHM 5% 1/16W	DSP BOARD ASY	RTD250		10135340	
R916	260305	RES CHIP 1K 5% 1/16W	DSP BOARD ASY	RTD250		10135770	
R921	256738	RES CMF 560 OHM 5% 1/16W	DSP BOARD ASY	RTD250		10134930	
R922	256754	RES CMF 100K OHM 5% 1/16W	DSP BOARD ASY	RTD250		10135340	
R923	249041	RES CMF 1/16W 5% 1.2K	DSP BOARD ASY	RTD250		10135790	
R924	256765	RES CMF 5.6K OHM 5% 1/16W	DSP BOARD ASY	RTD250		10135960	
R925	256754	RES CMF 100K OHM 5% 1/16W	DSP BOARD ASY	RTD250		10135340	
R926	260305	RES CHIP 1K 5% 1/16W	DSP BOARD ASY	RTD250		10135770	
R931	256738	RES CMF 560 OHM 5% 1/16W	DSP BOARD ASY	RTD250		10134930	
R932	256754	RES CMF 100K OHM 5% 1/16W	DSP BOARD ASY	RTD250		10135340	
R933	249041	RES CMF 1/16W 5% 1.2K	DSP BOARD ASY	RTD250		10135790	
R934	256765	RES CMF 5.6K OHM 5% 1/16W	DSP BOARD ASY	RTD250		10135960	
R935	256754	RES CMF 100K OHM 5% 1/16W	DSP BOARD ASY	RTD250		10135340	
R936	260305	RES CHIP 1K 5% 1/16W	DSP BOARD ASY	RTD250		10135770	

Symbol	Stock	Description	Circuit	Model	TypeCode	Drawing	Notes
R941	256738	RES CMF 560 OHM 5% 1/16W	DSP BOARD ASY	RTD250		10134930	
R942	256754	RES CMF 100K OHM 5% 1/16W	DSP BOARD ASY	RTD250		10135340	
R943	249041	RES CMF 1/16W 5% 1.2K	DSP BOARD ASY	RTD250		10135790	
R944	256765	RES CMF 5.6K OHM 5% 1/16W	DSP BOARD ASY	RTD250		10135960	
R945	256754	RES CMF 100K OHM 5% 1/16W	DSP BOARD ASY	RTD250		10135340	
R946	260305	RES CHIP 1K 5% 1/16W	DSP BOARD ASY	RTD250		10135770	
R951	256738	RES CMF 560 OHM 5% 1/16W	DSP BOARD ASY	RTD250		10134930	
R952	256754	RES CMF 100K OHM 5% 1/16W	DSP BOARD ASY	RTD250		10135340	
R953	249041	RES CMF 1/16W 5% 1.2K	DSP BOARD ASY	RTD250		10135790	
R954	256765	RES CMF 5.6K OHM 5% 1/16W	DSP BOARD ASY	RTD250		10135960	
R955	256754	RES CMF 100K OHM 5% 1/16W	DSP BOARD ASY	RTD250		10135340	
R956	260305	RES CHIP 1K 5% 1/16W	DSP BOARD ASY	RTD250		10135770	
RM101	248452	REMOTE SENSOR	FRONT BOARD ASY	RTD250		20852030	
RY101	248477	RELAY SDT-S-112LMR	TRANSFORMER BD ASY	RTD250	S	55038440	
RY201	249223	RELAY PWR 12.0V 270OHM 3A	MAIN BOARD ASY	RTD250	S	55048920	
RY202	249223	RELAY PWR 12.0V 270OHM 3A	MAIN BOARD ASY	RTD250	S	55048920	
RY301	249223	RELAY PWR 12.0V 270OHM 3A	MAIN BOARD ASY	RTD250	S	55048920	
S101	254521	DIODE, LTL-1CHE	DRIVER BOARD ASY	RTD250		55125510	
S102	262279	TRANSISTOR SILICON PHOTO	DRIVER BOARD ASY	RTD250		55609050	
SW101	246832	SWITCH	FRONT BOARD ASY	RTD250		20404680	
SW102	246832	SWITCH	FRONT BOARD ASY	RTD250		20404680	
SW103	246832	SWITCH	FRONT BOARD ASY	RTD250		20404680	
SW104	246832	SWITCH	FRONT BOARD ASY	RTD250		20404680	
SW105	246832	SWITCH	FRONT BOARD ASY	RTD250		20404680	
SW106	246832	SWITCH	FRONT BOARD ASY	RTD250		20404680	
SW107	246832	SWITCH	FRONT BOARD ASY	RTD250		20404680	
SW108	246832	SWITCH	FRONT BOARD ASY	RTD250		20404680	
SW109	246832	SWITCH	FRONT BOARD ASY	RTD250		20404680	
SW110	246832	SWITCH	FRONT BOARD ASY	RTD250		20404680	
SW111	246832	SWITCH	FRONT BOARD ASY	RTD250		20404680	
SW112	246832	SWITCH	FRONT BOARD ASY	RTD250		20404680	
SW113	246832	SWITCH	FRONT BOARD ASY	RTD250		20404680	
SW114	246832	SWITCH	FRONT BOARD ASY	RTD250		20404680	
SW115	246832	SWITCH	FRONT BOARD ASY	RTD250		20404680	
SW116	246832	SWITCH	FRONT BOARD ASY	RTD250		20404680	
SW117	246832	SWITCH	FRONT BOARD ASY	RTD250		20404680	
SW201	261051	SWITCH DETECTOR 30V	DRIVER BOARD ASY	RTD250		55313330	
SW202	262277	SWITCH DETECTOR SPVF130100 5V	DRIVER BOARD ASY	RTD250		55552320	
SW203	262277	SWITCH DETECTOR SPVF130100 5V	DRIVER BOARD ASY	RTD250		55552320	
SW204	261051	SWITCH DETECTOR 30V	DRIVER BOARD ASY	RTD250		55313330	
SW205	262278	SWITCH DETECTOR SPVF110100 5V	DRIVER BOARD ASY	RTD250		55552330	
SW206	262278	SWITCH DETECTOR SPVF110100 5V	DRIVER BOARD ASY	RTD250		55552330	
T101	263070	TF-LAM POWER-TRANSFORMER 120V	TRANSFORMER BD ASY	RTD250	S	55589060	
VFD101	263003	DISPLAY	FRONT BOARD ASY	RTD250		55604350	
W302	263004	CABLE 4P 320MM	FRONT BOARD ASY	RTD250		55656270	
W303	254529	CABLE, 1P 150MM	FRONT BOARD ASY	RTD250		55158710	
W304	262991	CABLE 6P 380MM	MAIN BOARD ASY	RTD250		55717630	
X101	263005	CRYSTAL 7.3728 MHZ	FRONT BOARD ASY	RTD250		55676380	

RTD250

Symbol	Stock	Description	Circuit	Model	TypeCode	Drawing	Notes
X501	261179	CRYSTAL 13.5MHZ	DSP BOARD ASY	RTD250		55176430	

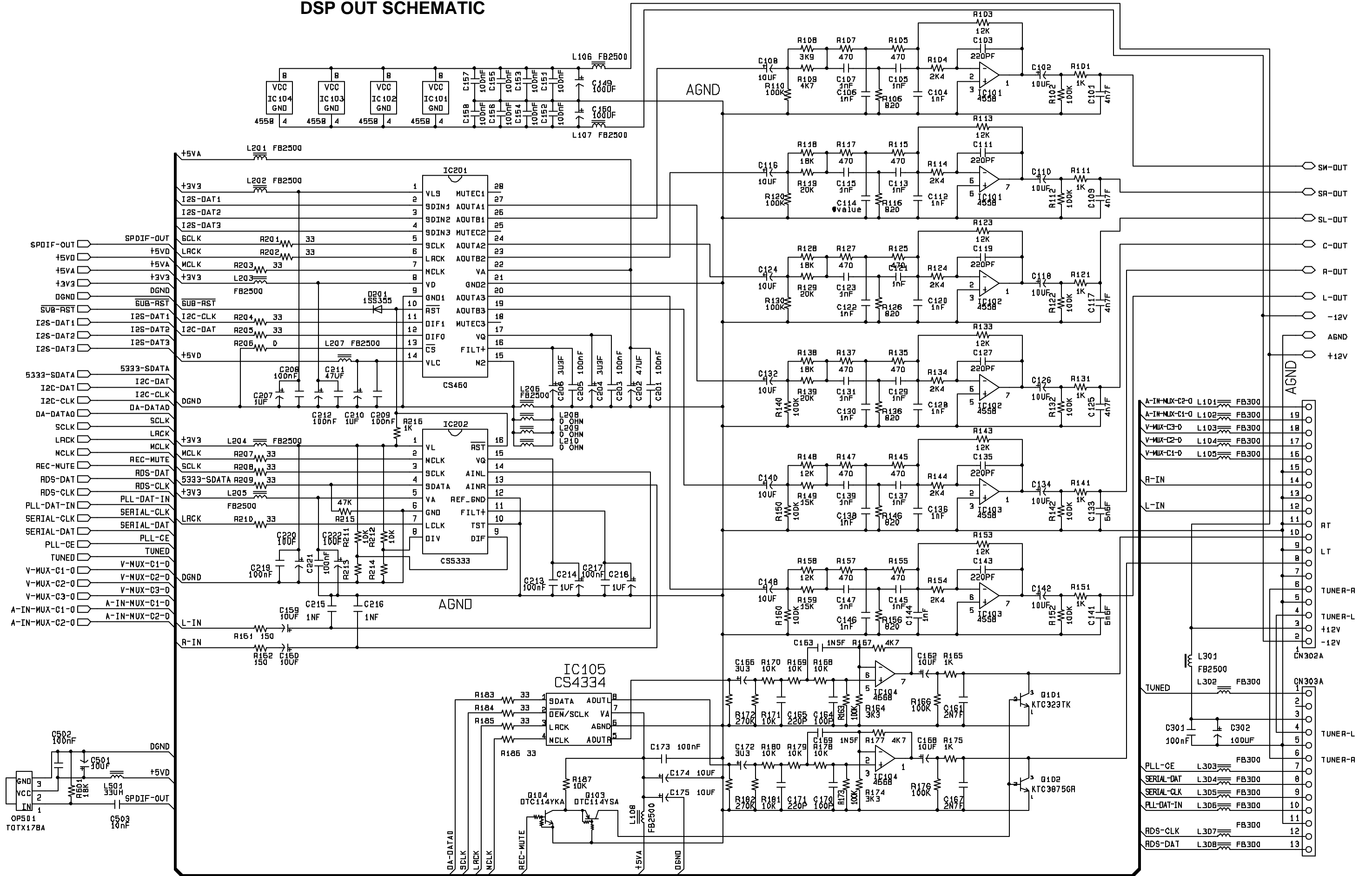
# CD DRIVER SCHEMATIC



**NOTES:**

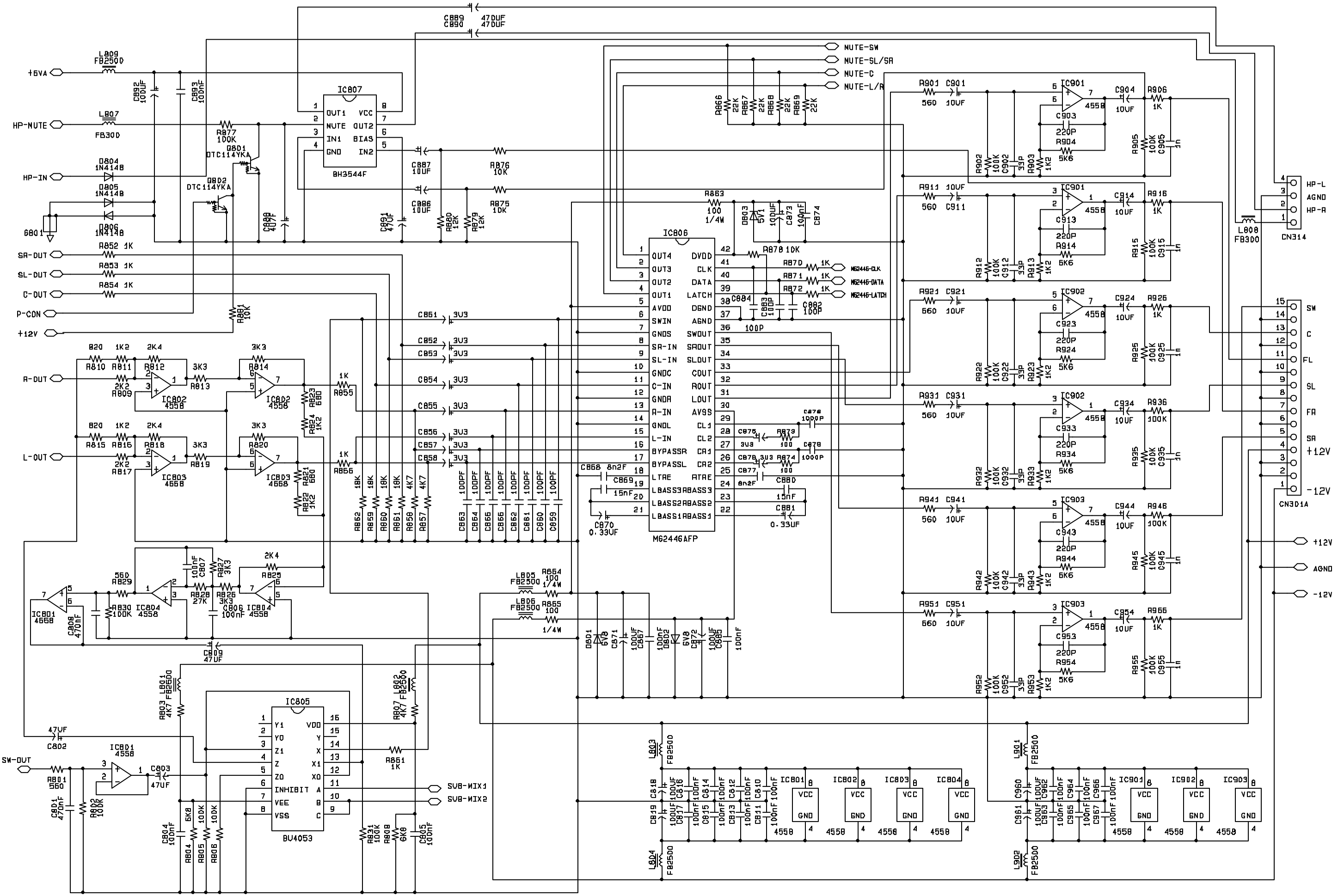
- Unless otherwise specified:
  - All resistor values are in ohms, 1/8W
  - All Capacitor values are in F
- Replace transistors with type specified from replacement parts list
- \* and  $\Delta$  indicates critical safety components. Replace only with those specified from replacement parts list to maintain proper performances and safety of this unit.

# DSP OUT SCHEMATIC

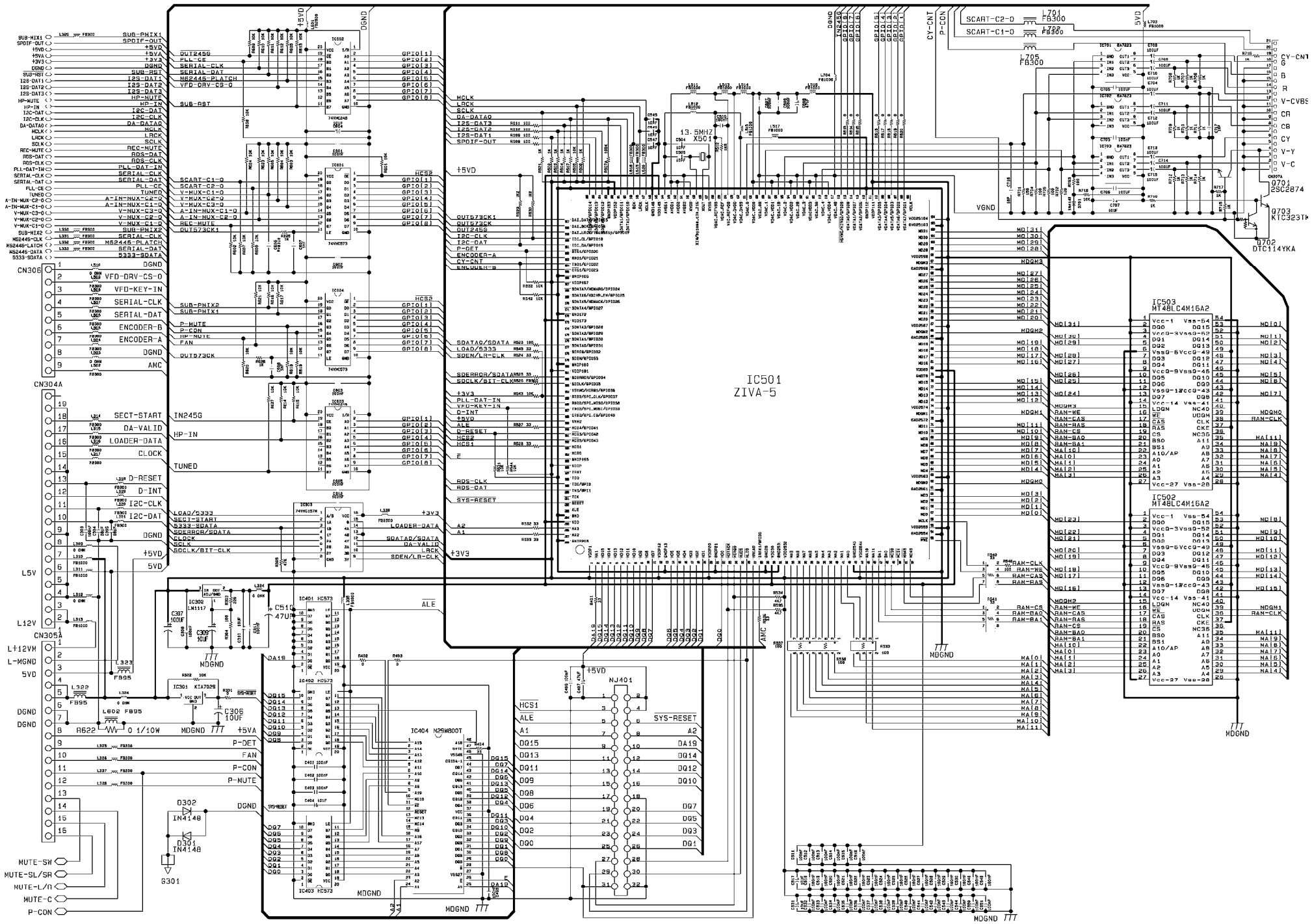




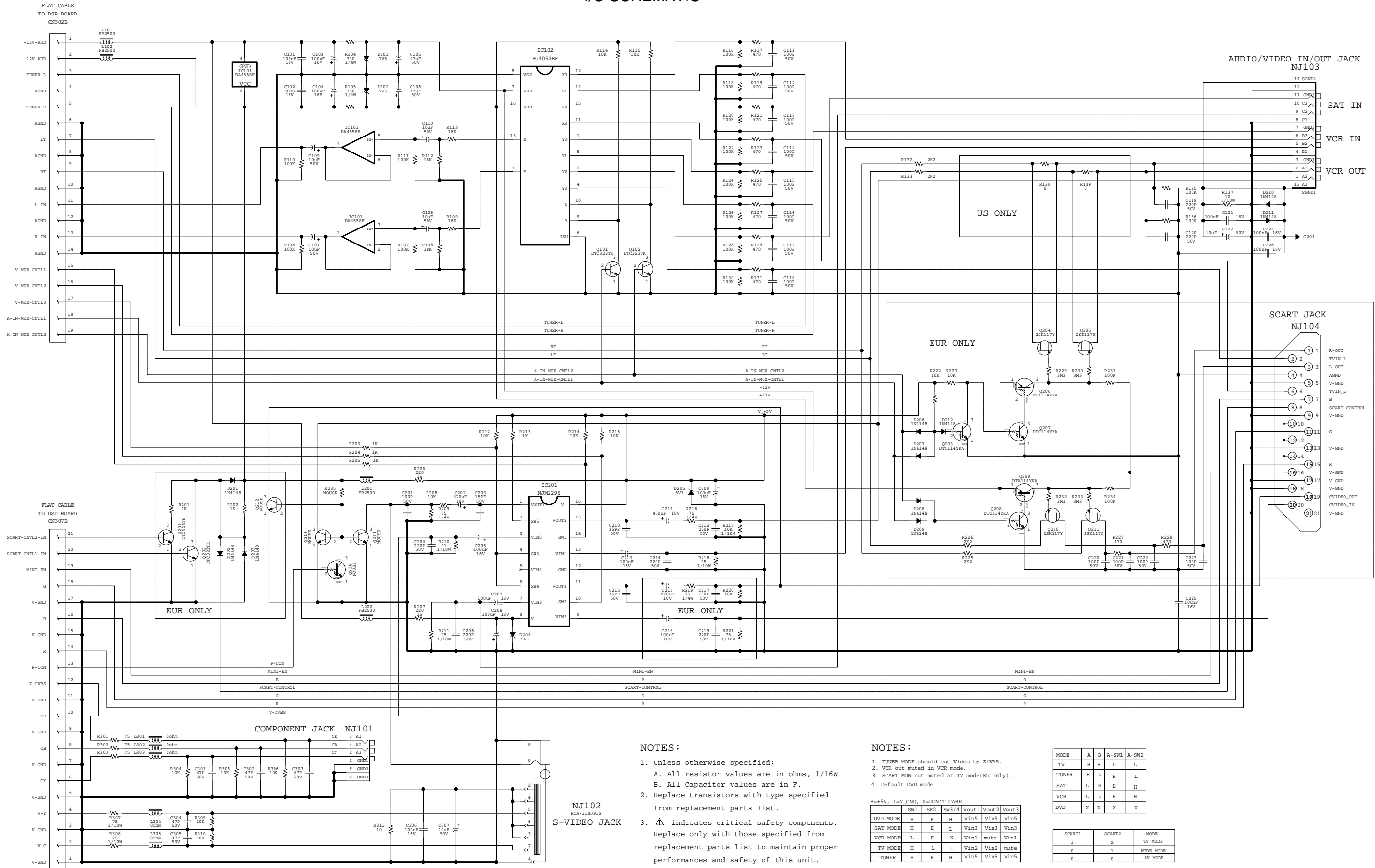
# DSP OUT2 SCHEMATIC



# DSP PROCESSING SCHEMATIC



# I/O SCHEMATIC



**NOTES:**

- Unless otherwise specified:
  - A. All resistor values are in ohms, 1/16W.
  - B. All Capacitor values are in F.
- Replace transistors with type specified from replacement parts list.
- ⚠ indicates critical safety components. Replace only with those specified from replacement parts list to maintain proper performances and safety of this unit.

**NOTES:**

- TUNER MODE should cut Video by Z1VA5.
- VCR out muted in VCR mode.
- SCART MON out muted at TV mode(EU only).
- Default DVD mode

H=+5V, L=V\_GND, X=DON'T CARE

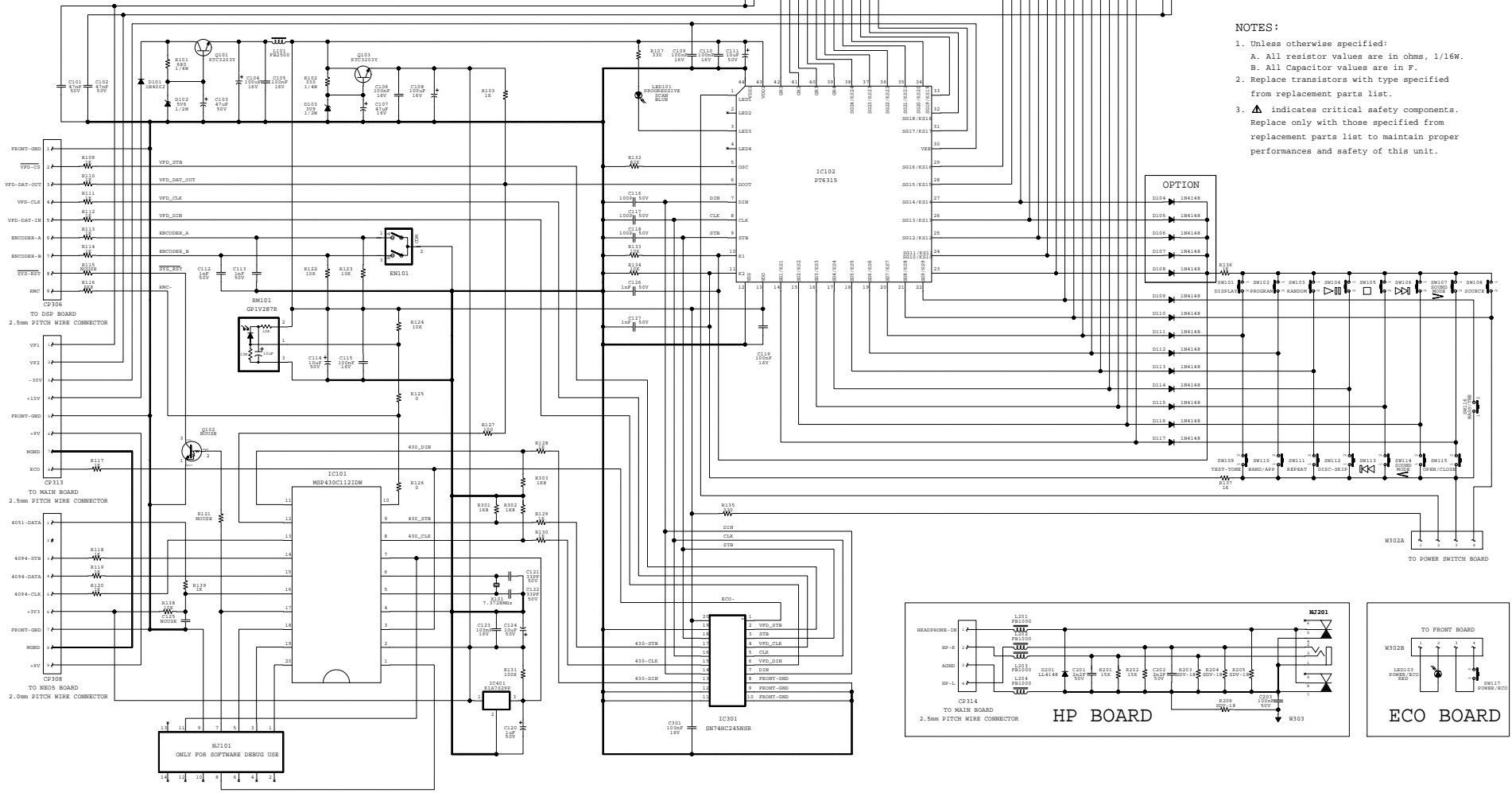
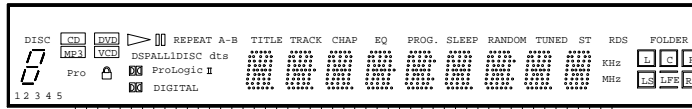
	SW1	SW2	SW3/4	Vout1	Vout2	Vout3
DVD MODE	H	H	H	Vin5	Vin5	Vin5
SAT MODE	H	H	L	Vin3	Vin3	Vin3
VCR MODE	L	H	X	Vin1	mute	Vin1
TV MODE	H	L	L	Vin2	Vin2	mute
TUNER	H	H	H	Vin5	Vin5	Vin5

MODE	A	B	A-SW1	A-SW2
TV	H	H	L	L
TUNER	H	L	H	L
SAT	L	H	L	H
VCR	L	L	H	H
DVD	X	X	X	X

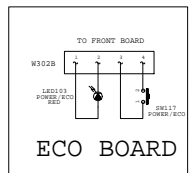
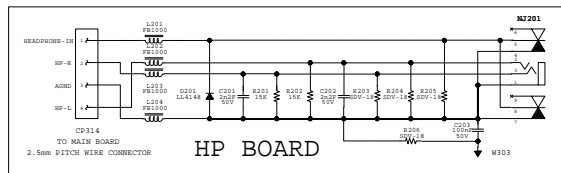
SCART1	SCART2	MODE
1	X	TV MODE
0	1	WIDE MODE
0	0	AV MODE

# INPUT KEY/FRONT BOARD SCHEMATIC

VFD101  
RVVC12M35



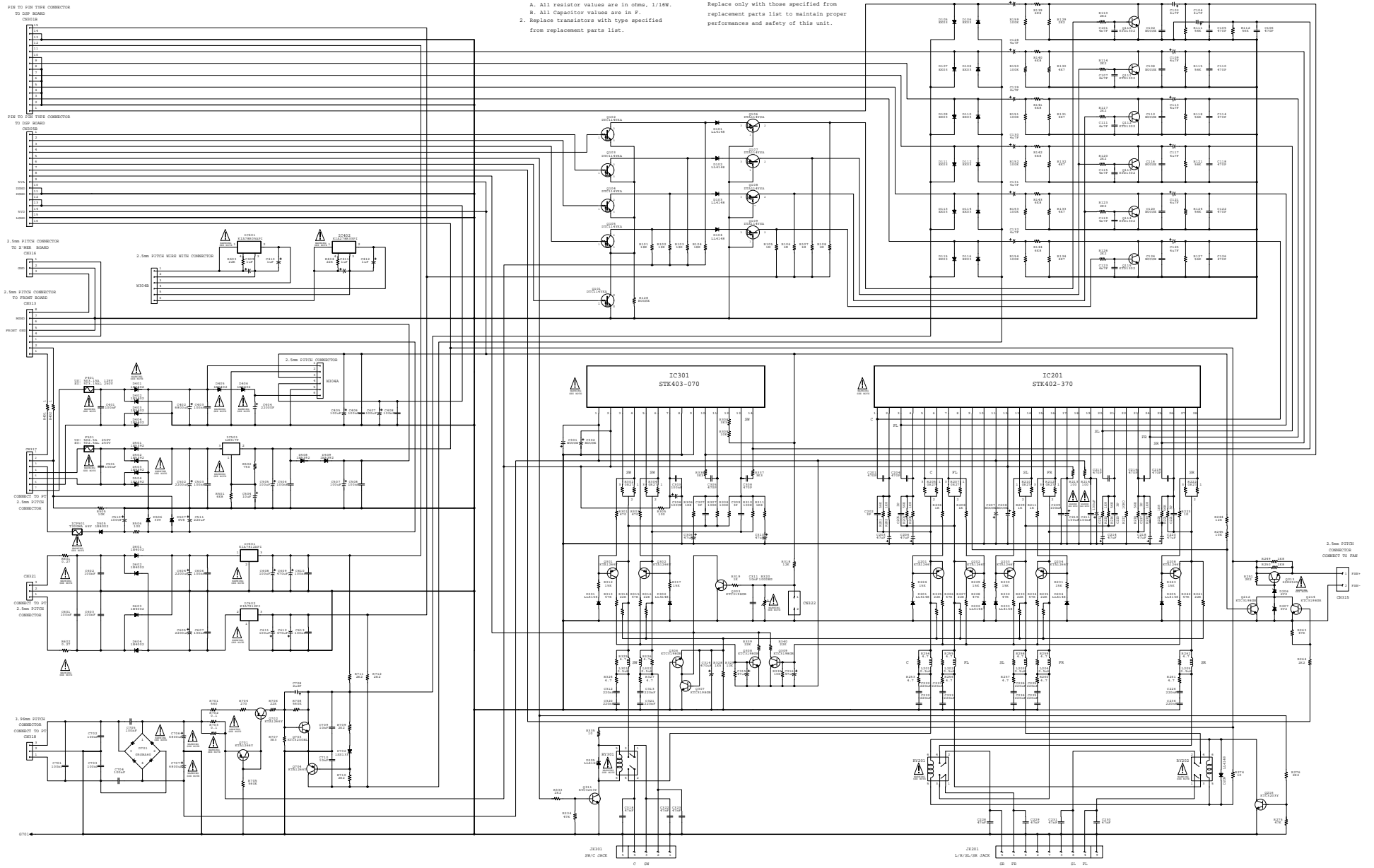
- NOTES:**
1. Unless otherwise specified:  
 A. All resistor values are in ohms, 1/16W.  
 B. All capacitor values are in F.
  2. Replace transistors with type specified from replacement parts list.
  3. **▲** indicates critical safety components. Replace only with those specified from replacement parts list to maintain proper performances and safety of this unit.



# MAIN SCHEMATIC

## NOTES:

1. Unless otherwise specified:
  - A. All resistor values are in ohms, 1/16W.
  - B. All capacitor values are in pF.
  - C. Replace transistors with type specified from replacement parts list.
3.  indicates critical safety components. Replace only with those specified from replacement parts list to maintain proper performance and safety of this unit.



# TUNER SCHEMATIC

