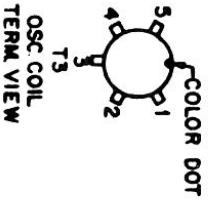
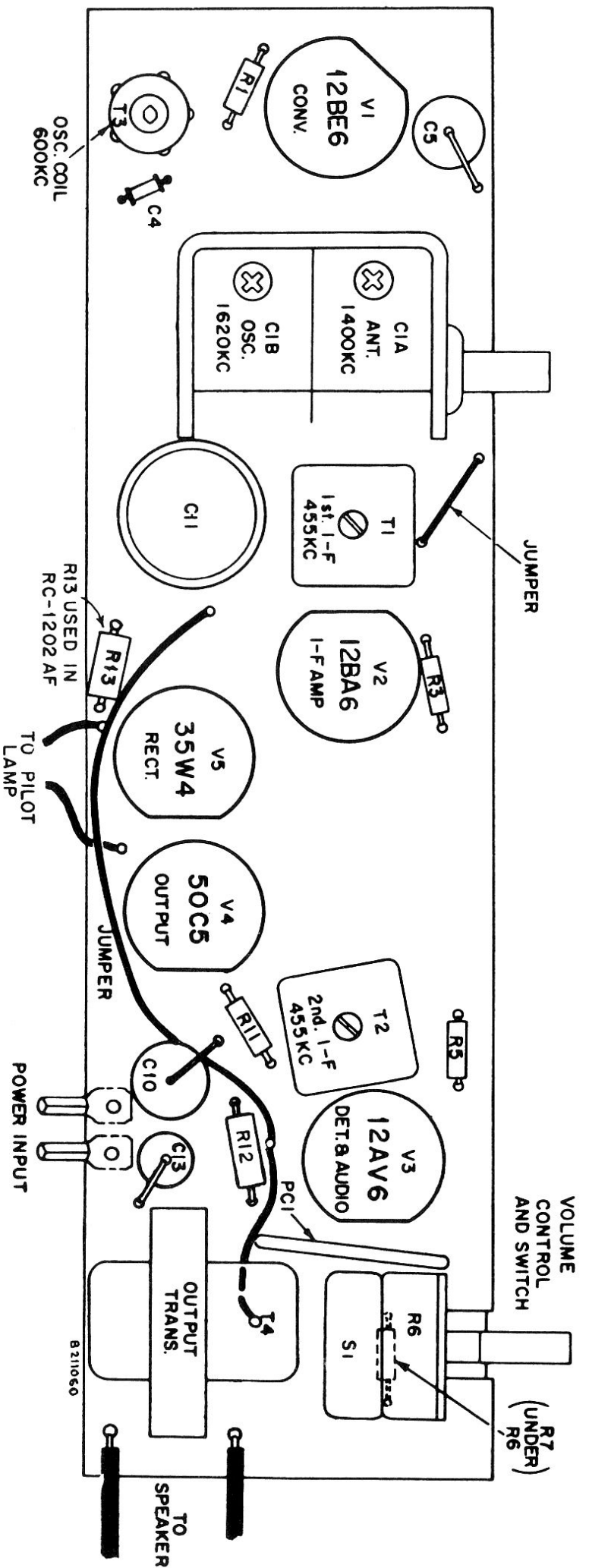


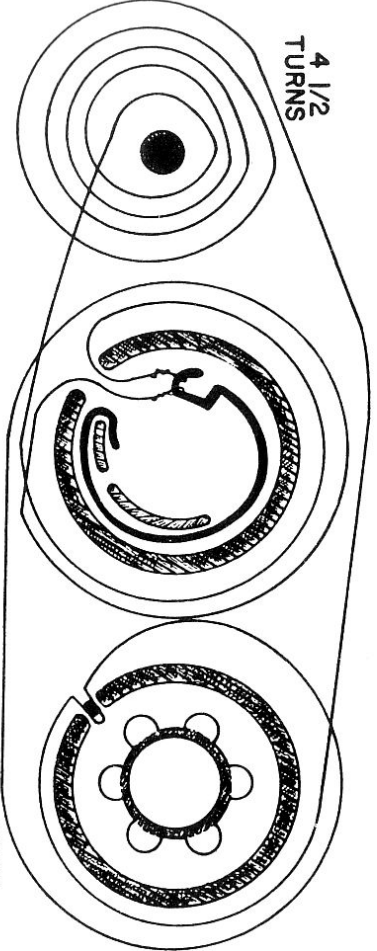
ALL RESISTANCE VALUES IN OHMS. ALL CAPACITANCE VALUES LESS THAN 1.0 IN µF VALUES ABOVE 1.0 IN µF UNLESS OTHERWISE INDICATED. VOLTAGES MEASURED TO COMMON NEGATIVE (+) WITH "VOLTOHMYST" AND SHOULD HOLD WITHIN ± 20% WITH 120 VOLT INPUT.

*Schematic Diagram*

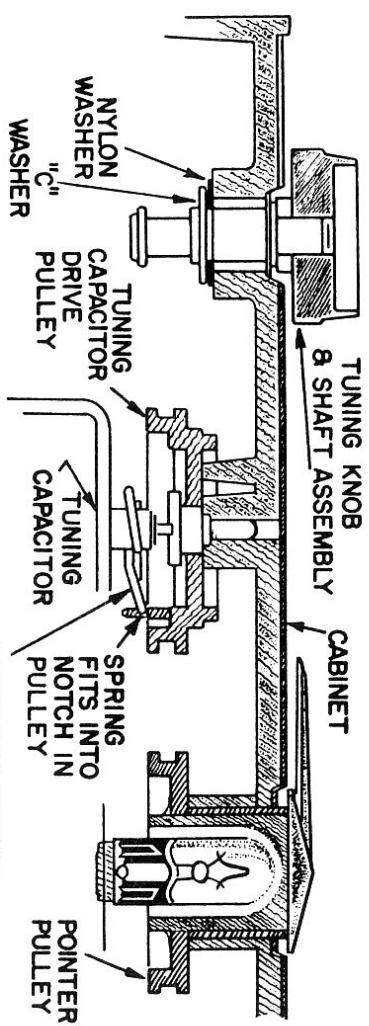




*Chassis Layout—View from Component Side*



A 201045



A 201046

*Dial Cord Assembly*

*Tuning Drive Assembly*