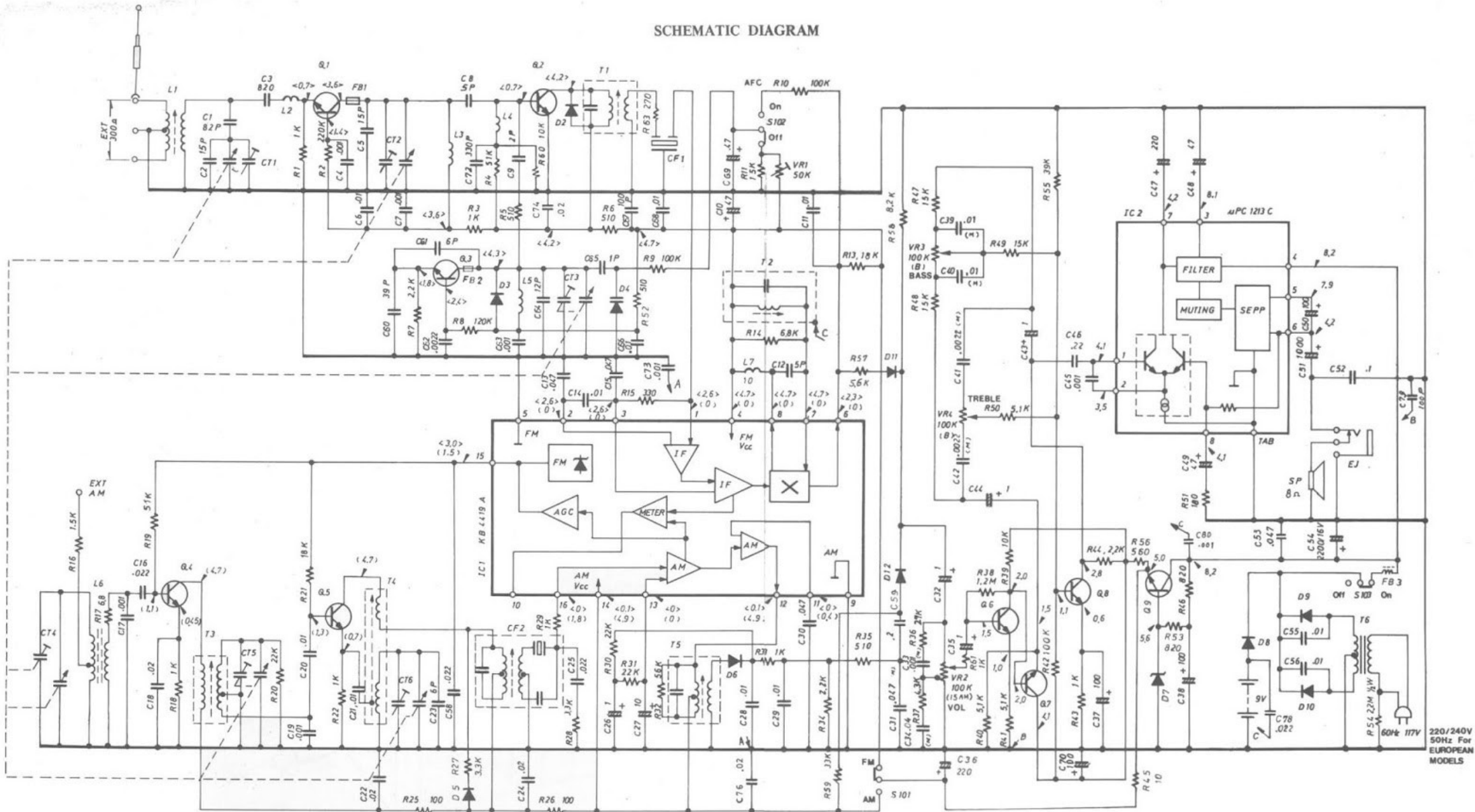


SCHEMATIC DIAGRAM



220/240V
50Hz For
EUROPEAN
MODELS

NOTE : All voltages are shown in volts, unless referred to ground. () FM MODE; () AM MODE
Resistance values are shown in ohms unless otherwise specified. (K = 1000 ohms)
Capacitance values are indicated in microfarads unless otherwise noted. (P = micro-microfarads)