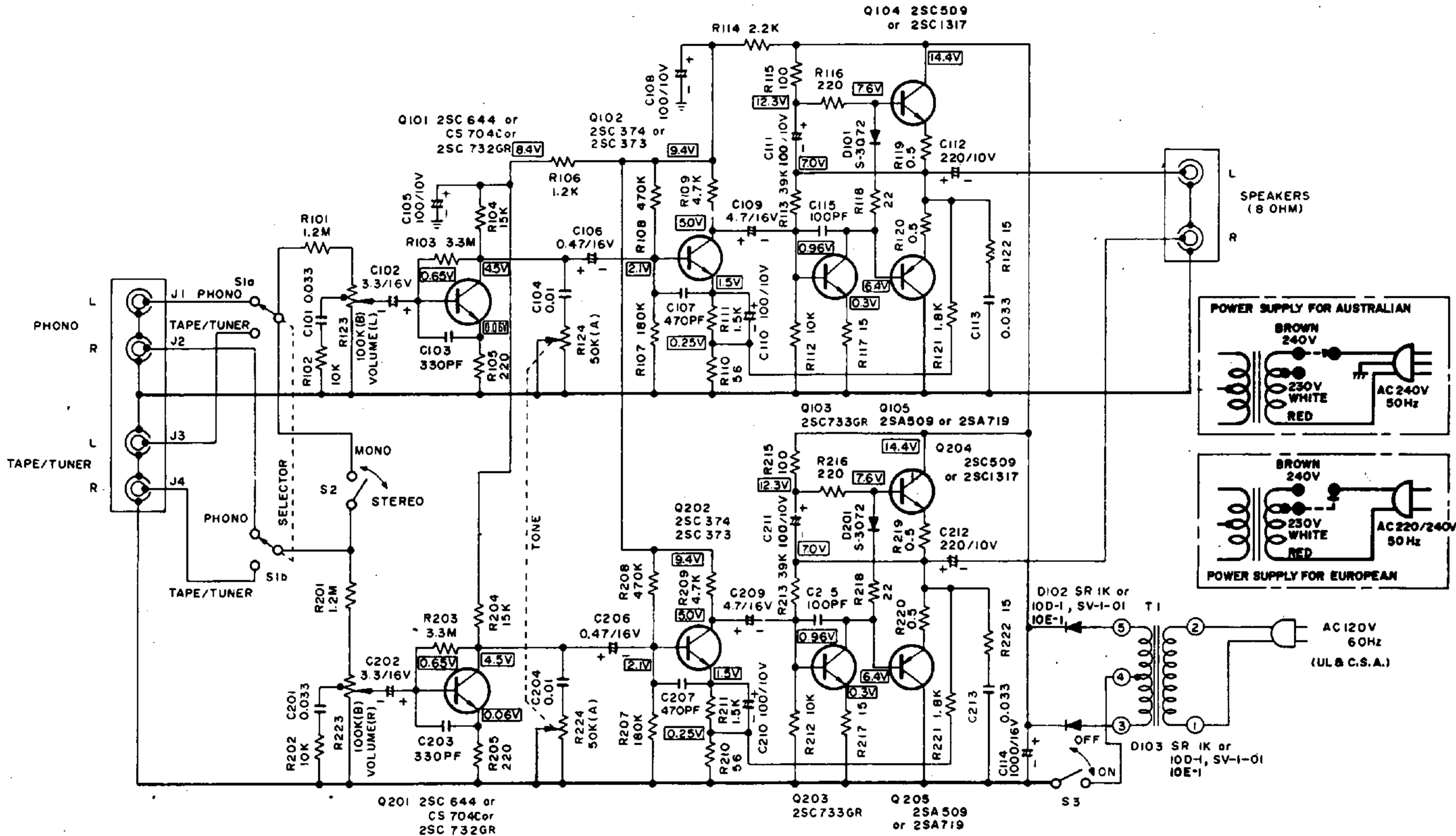


# SCHEMATIC DIAGRAM



## NOTES

- (1) ALL RESISTANCE VALUES ARE INDICATED IN OHMS ( $K=10^3$  OHMS)
- (2) ALL CAPACITANCE VALUES ARE INDICATED IN  $\mu F$  ( $P=10^6 \mu F$ )
- (3) ALL VOLTAGE VALUES ARE INDICATED IN VOLT AT NO SIGNAL, MEASURED WITH V. T. V. M.