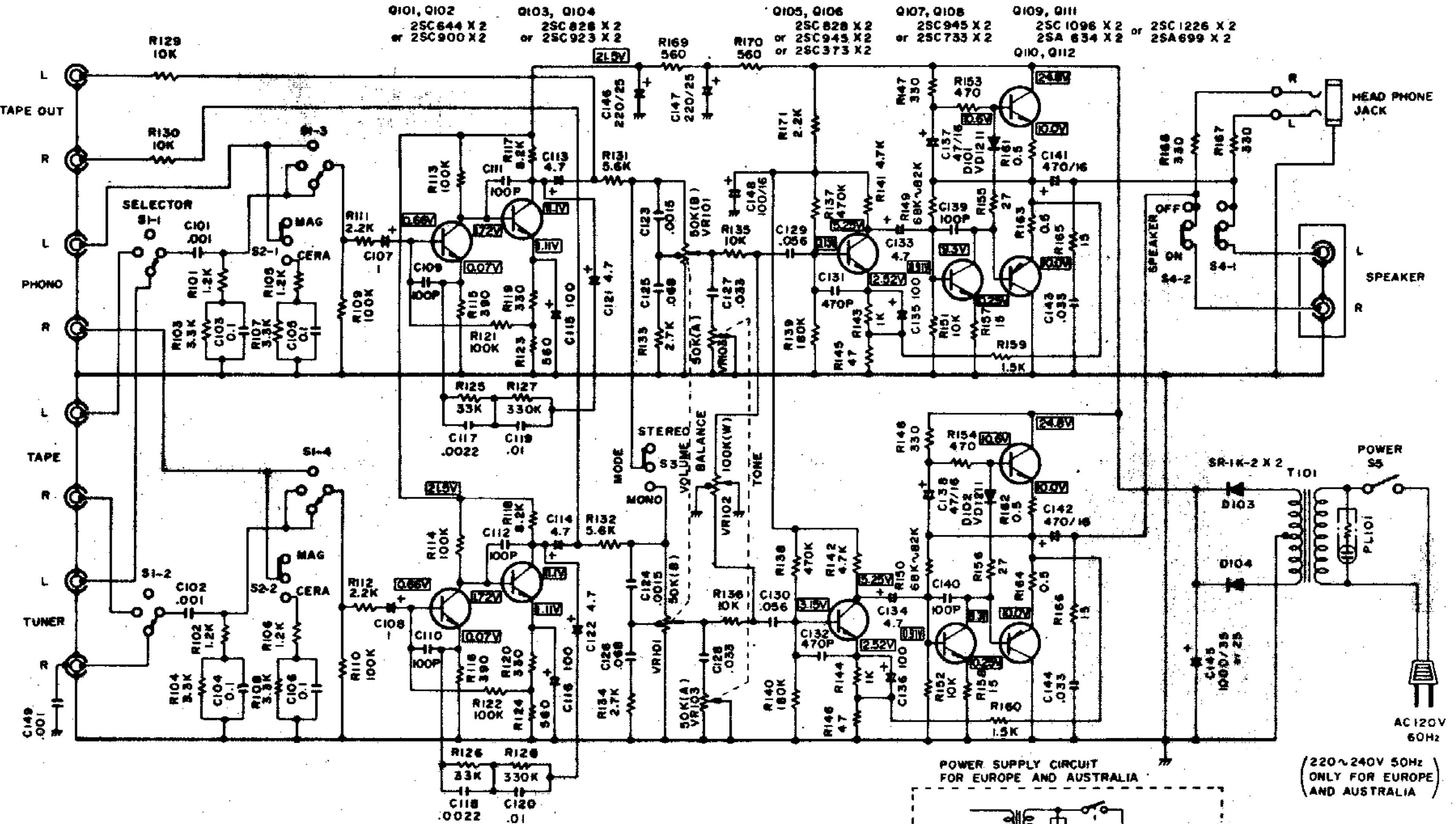


SCHEMATIC



NOTES

1. RESISTANCE VALUES ARE INDICATED IN OHMS (K= 10^3 OHM, M= 10^6 OHM)
2. CAPACITANCE VALUES ARE INDICATED IN μ FD (P= μ FD)
3. VOLTAGE VALUES ARE INDICATED IN VOLTS AT NO SIGNAL, MEASURED WITH V.T.V.M.