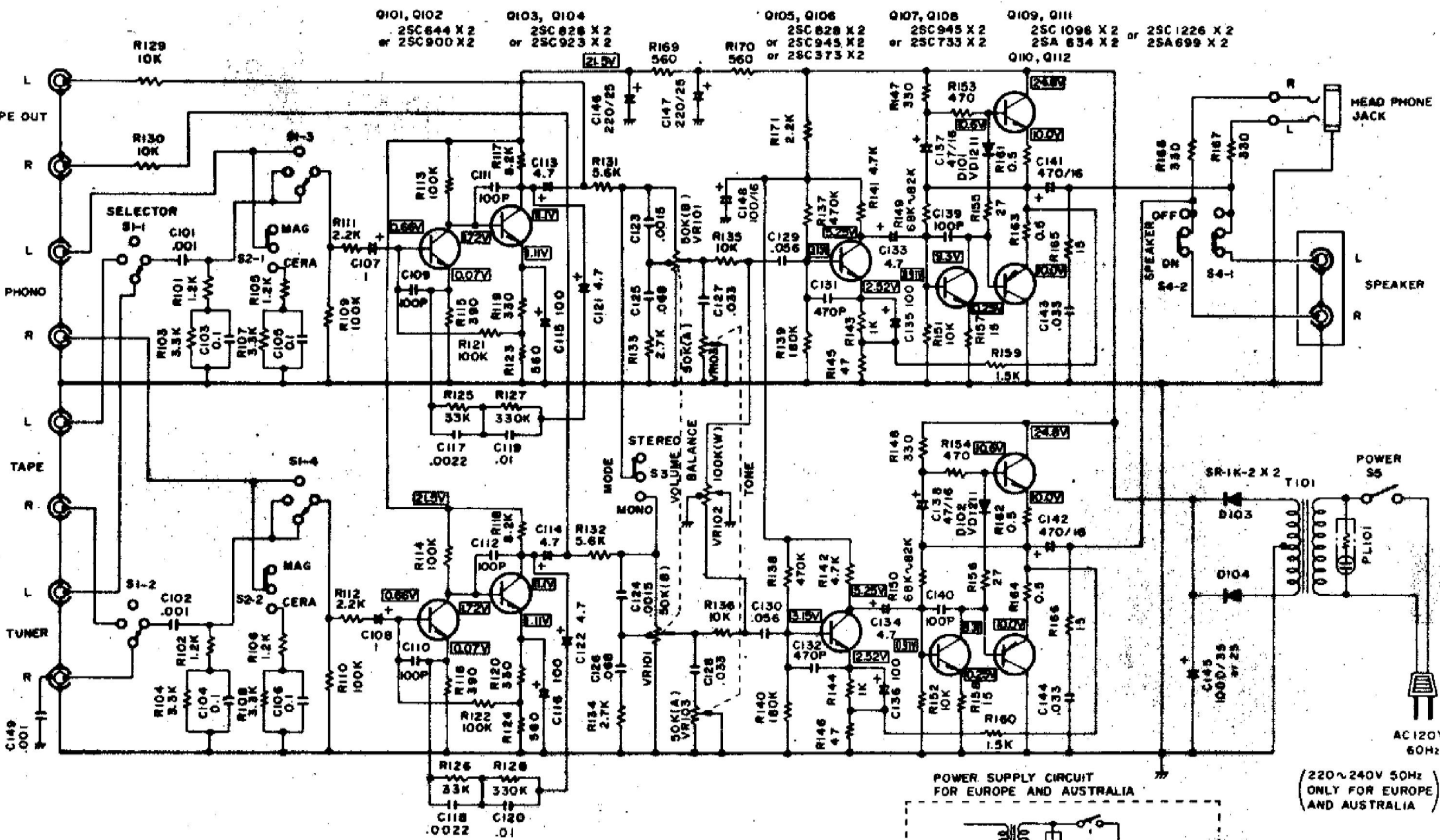


# SCHEMATIC



- NOTES**
1. RESISTANCE VALUES ARE INDICATED IN OHMS (K=10<sup>3</sup> OHM, M=10<sup>6</sup> OHM)
  2. CAPACITANCE VALUES ARE INDICATED IN μFD (P=μμFD)
  3. VOLTAGE VALUES ARE INDICATED IN VOLTS AT NO SIGNAL

