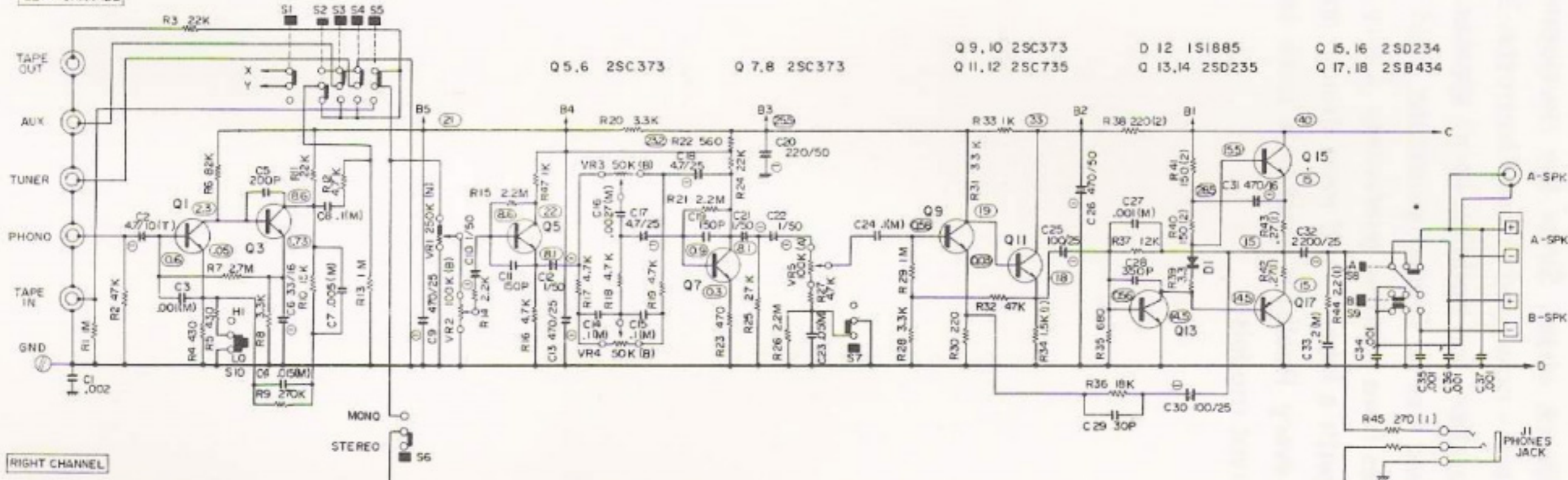
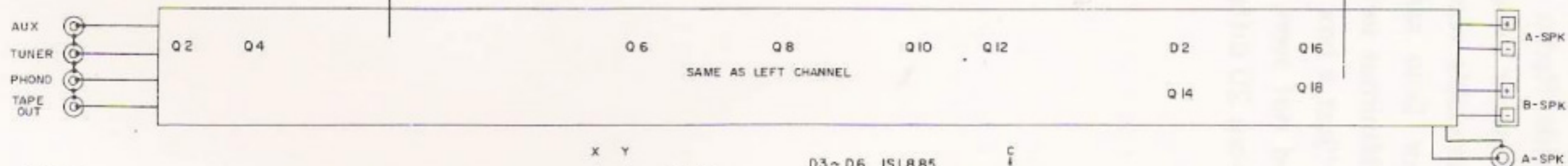


Q1,2 2SC732 Q 3,4 2SC373

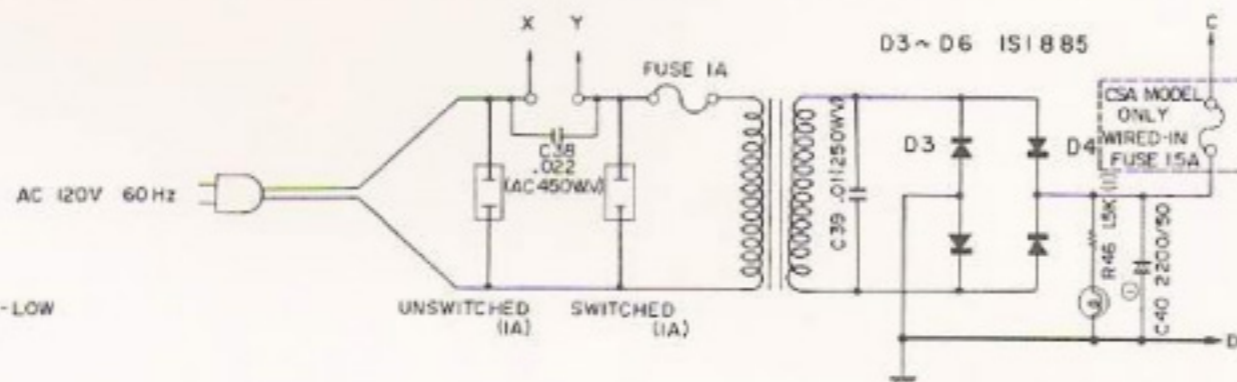
LEFT CHANNEL



RIGHT CHANNEL



- REMARKS:
- S1. POWER SWITCH.
  - S2. PHONO SWITCH.
  - S3. AUX SWITCH.
  - S4. TUNER SWITCH.
  - S5. MONITOR SWITCH.
  - S6. MONO SWITCH.
  - S7. LOUDNESS SWITCH.
  - S8. SPK SWITCH - A.
  - S9. SPK SWITCH - B.
  - S10. PHONO SENSITIVITY SWITCH HIGH-LOW.
  - VR1. BALANCE CONTROL.
  - VR2,3. VOLUME CONTROL.
  - VR4. TREBLE CONTROL.
  - VR5. BASS CONTROL.
  - J1. PHONES JACK.



- NOTE:
1. ALL RESISTORS ARE 1/4 WATT UNLESS MARKED OTHERWISE RESISTOR VALUES ARE IN OHMS (K=1000, M=1000,000)
  2. ALL CAPACITOR VALUES ARE IN MF/VOLTAGE UNLESS MARKED OTHERWISE. (M)=MYLAR
  3. SELECTOR SWITCH SHOWN IN PHONO POSITION.
  4. SPEAKER SWITCH SHOWN IN 'A' POSITION.
  5. POWER SWITCH SHOWN IN 'ON' POSITION.
  6. ○ INDICATES VOLTAGE READINGS FROM THE POINT INDICATED TO CHASSIS GROUND.
  7. RATING OR TYPE NUMBER OF COMPONENT PARTS ARE SUBJECT TO CHANGE FOR IMPROVEMENT WITHOUT NOTICE.