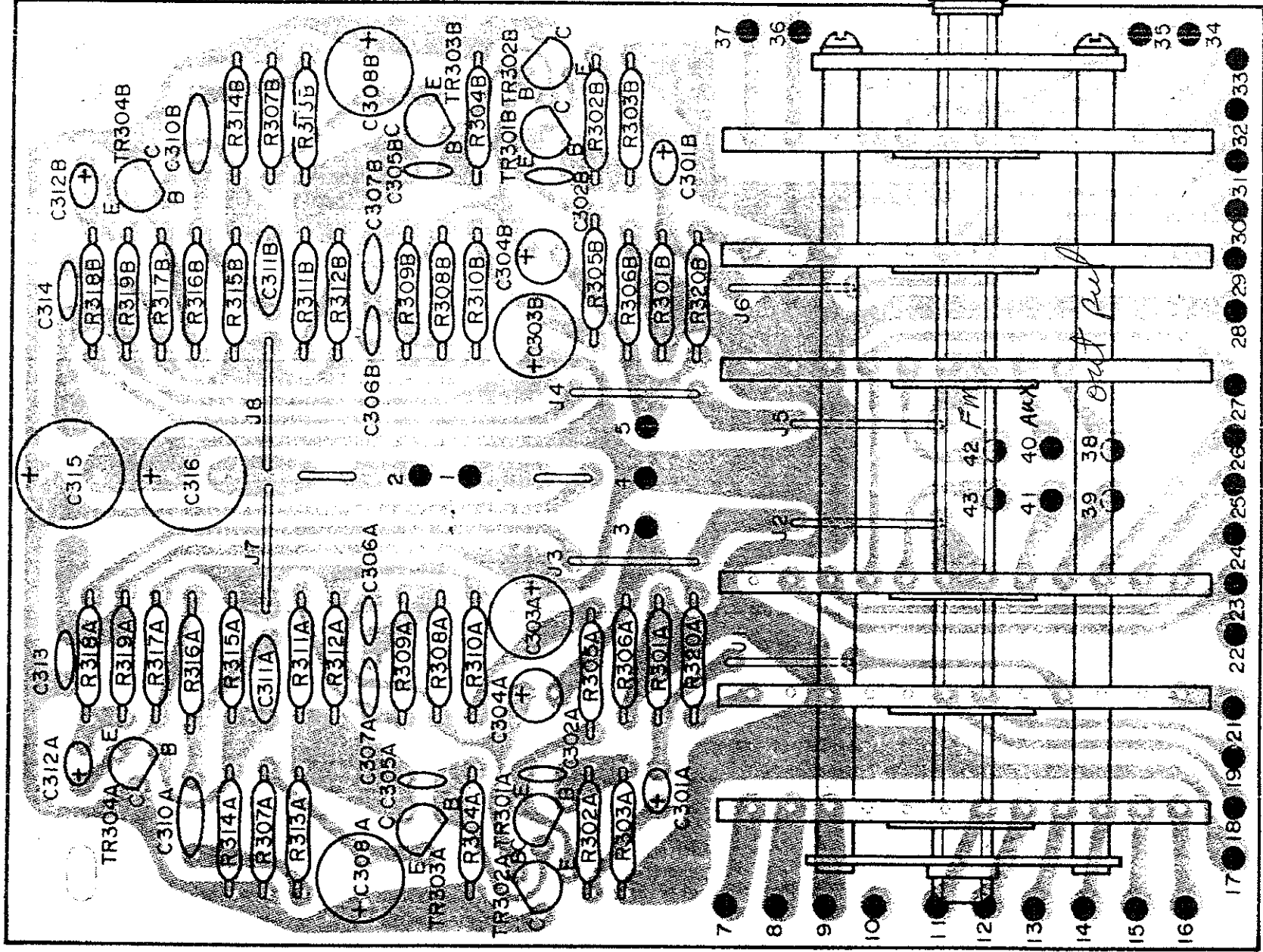
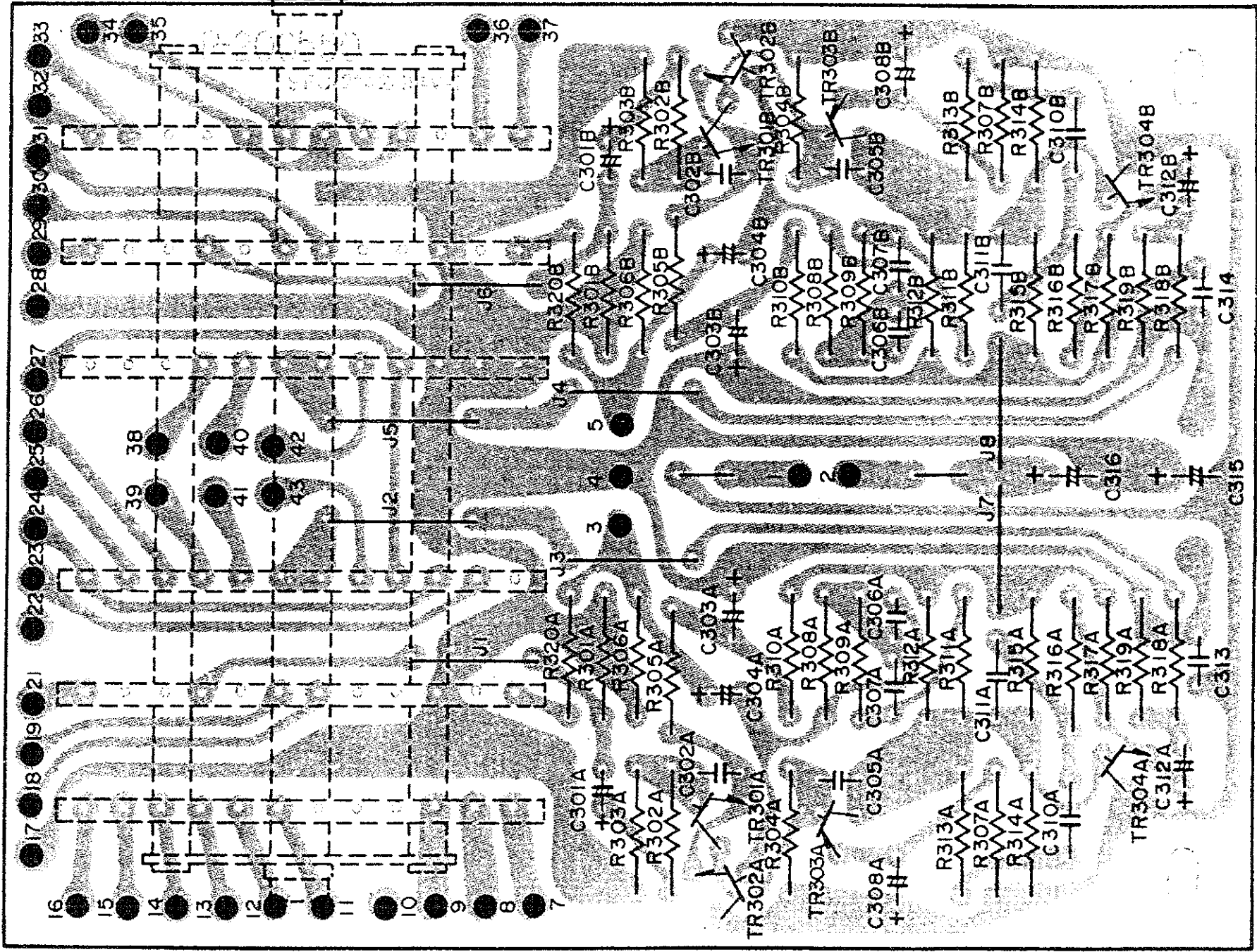


TOP VIEW



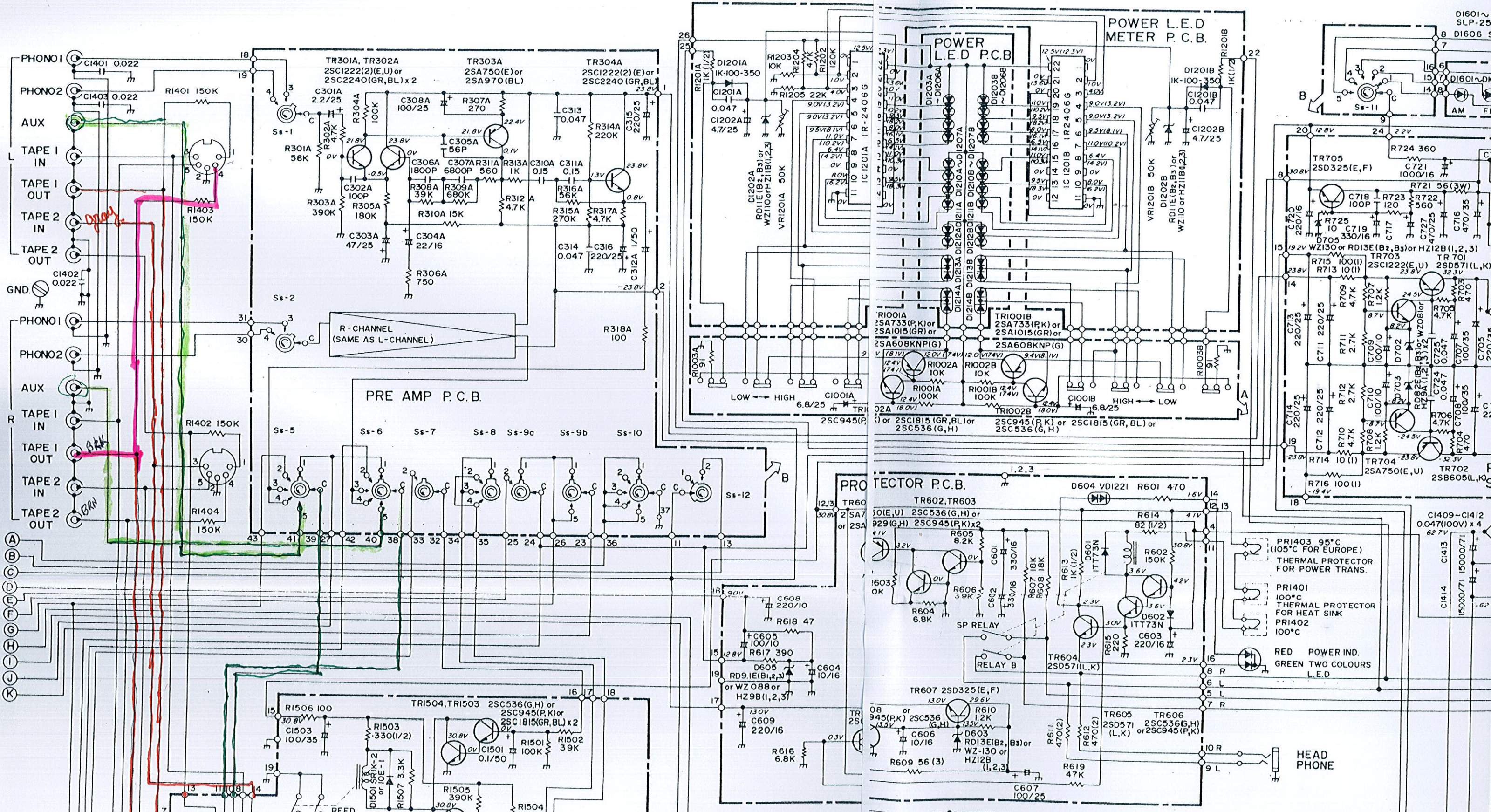
BOTTOM VIEW







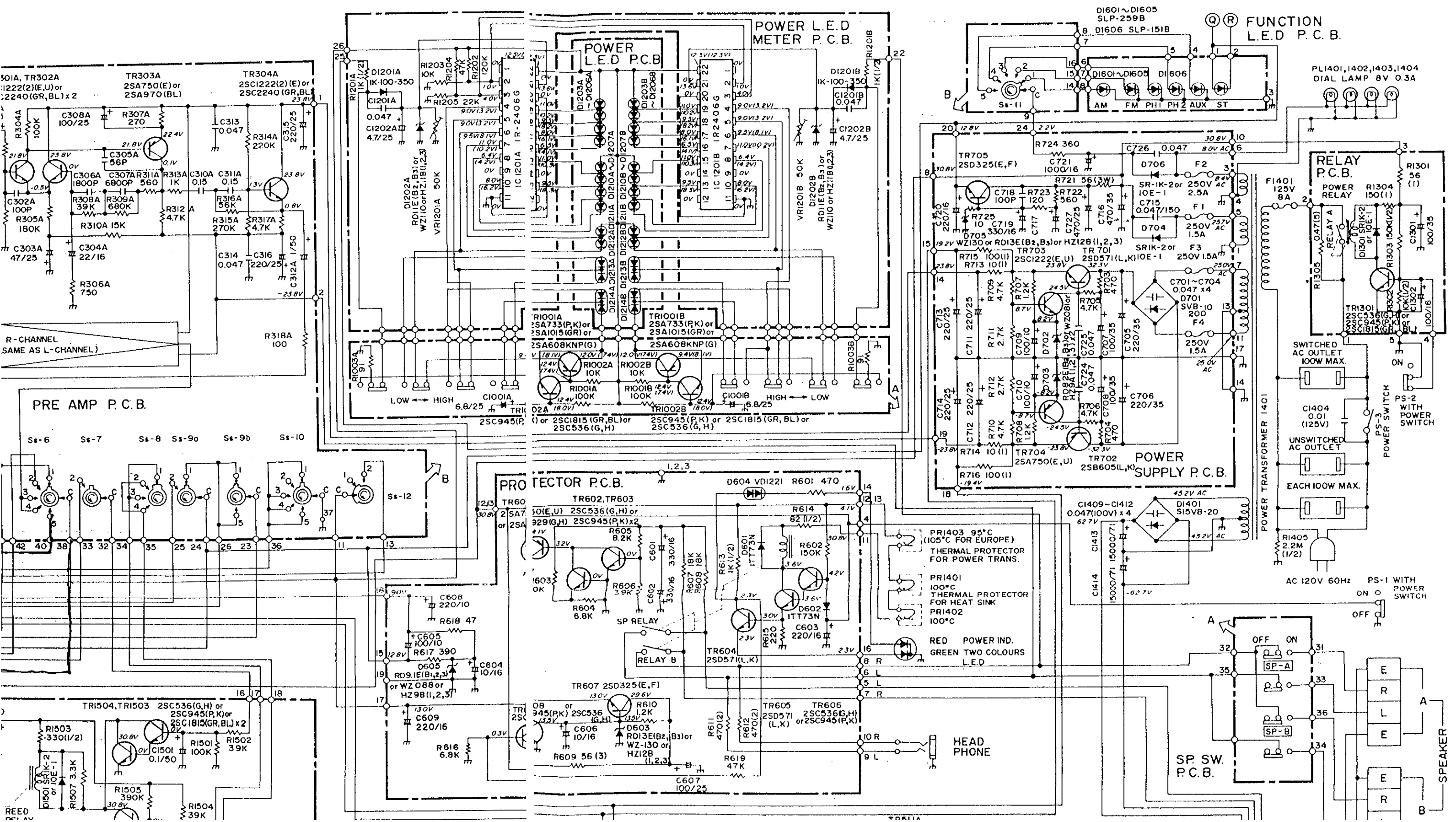
# 33) SCHEMATIC DIAGRAM (AMP SECTION FOR UL MODELS)



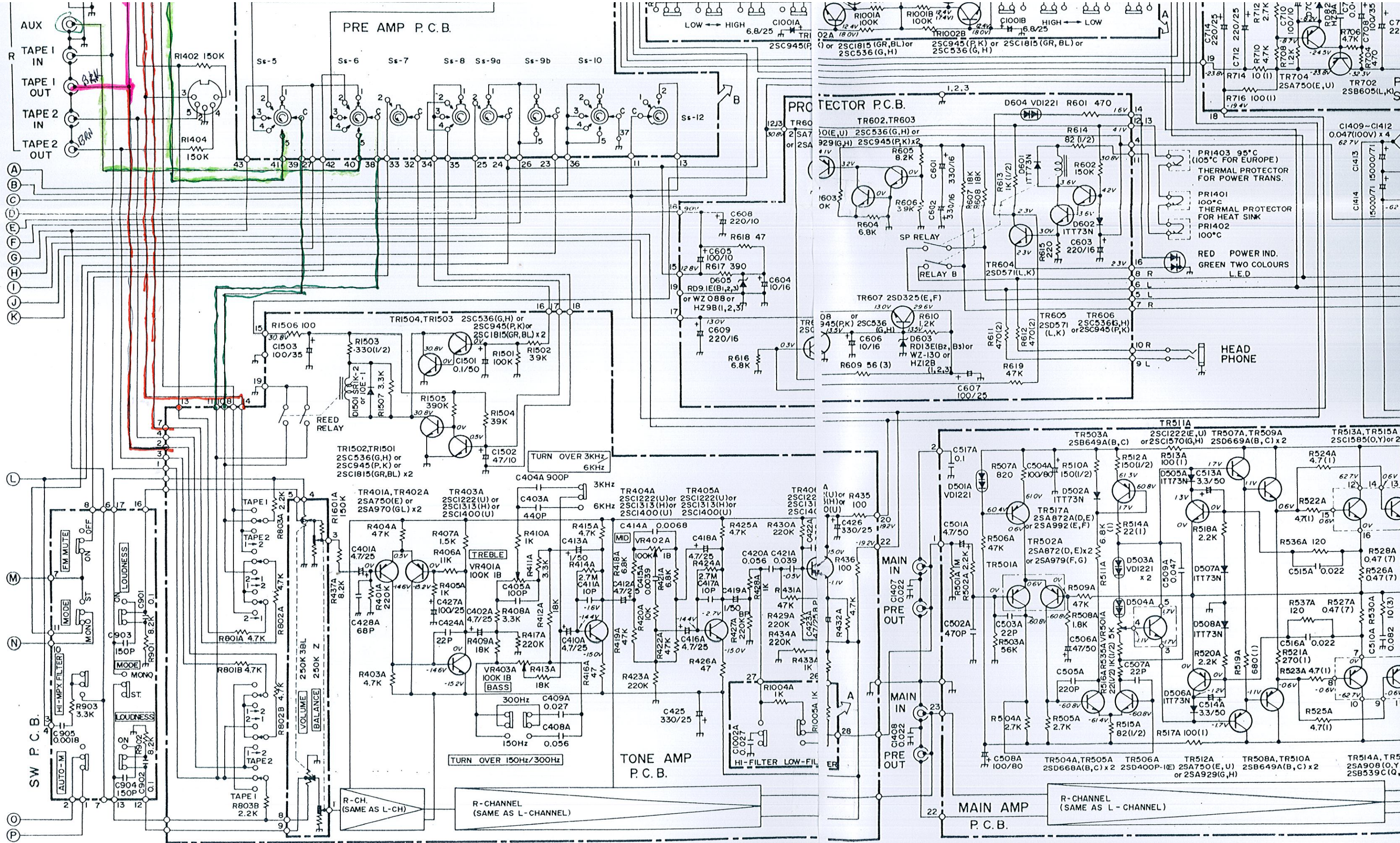


# 33) SCHEMATIC DIAGRAM(A MP SECTION FOR UL MODELS)

Cat. No. 31-3010



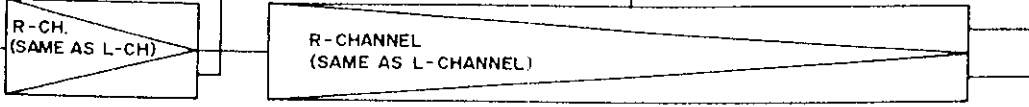
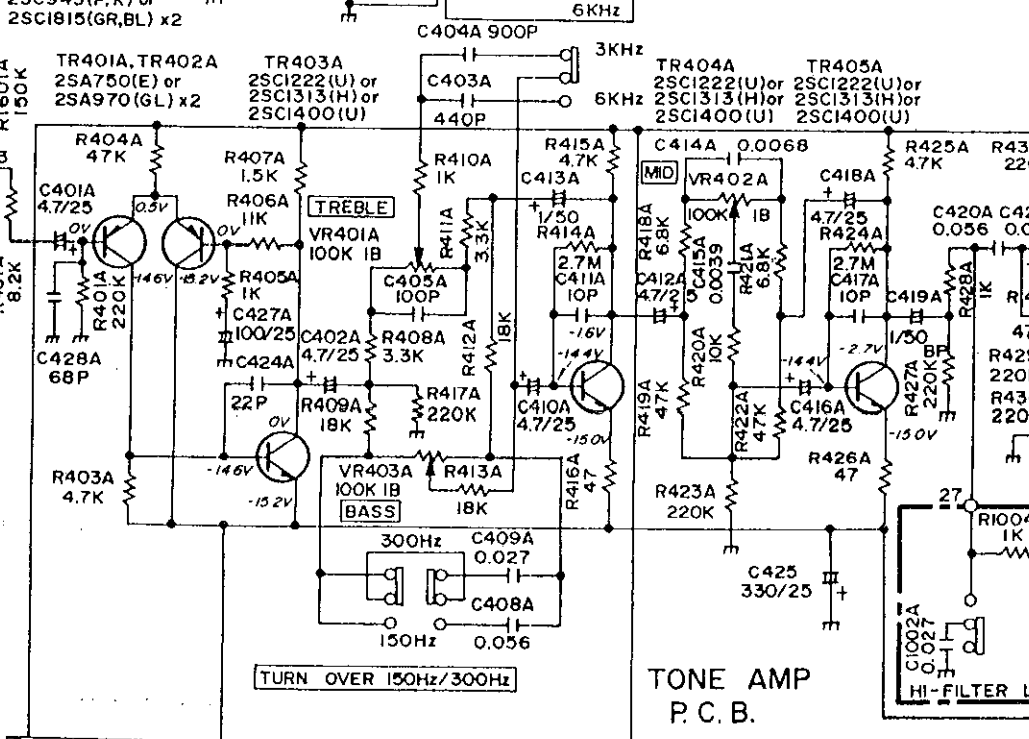
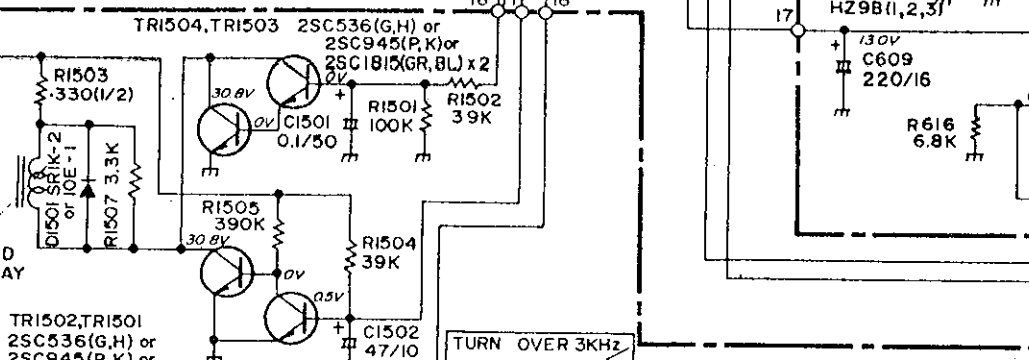
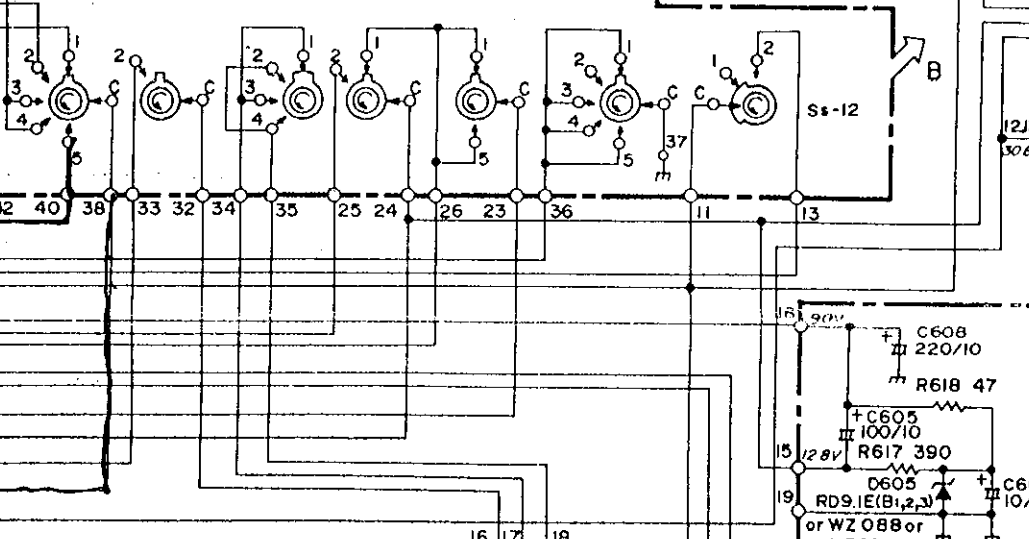




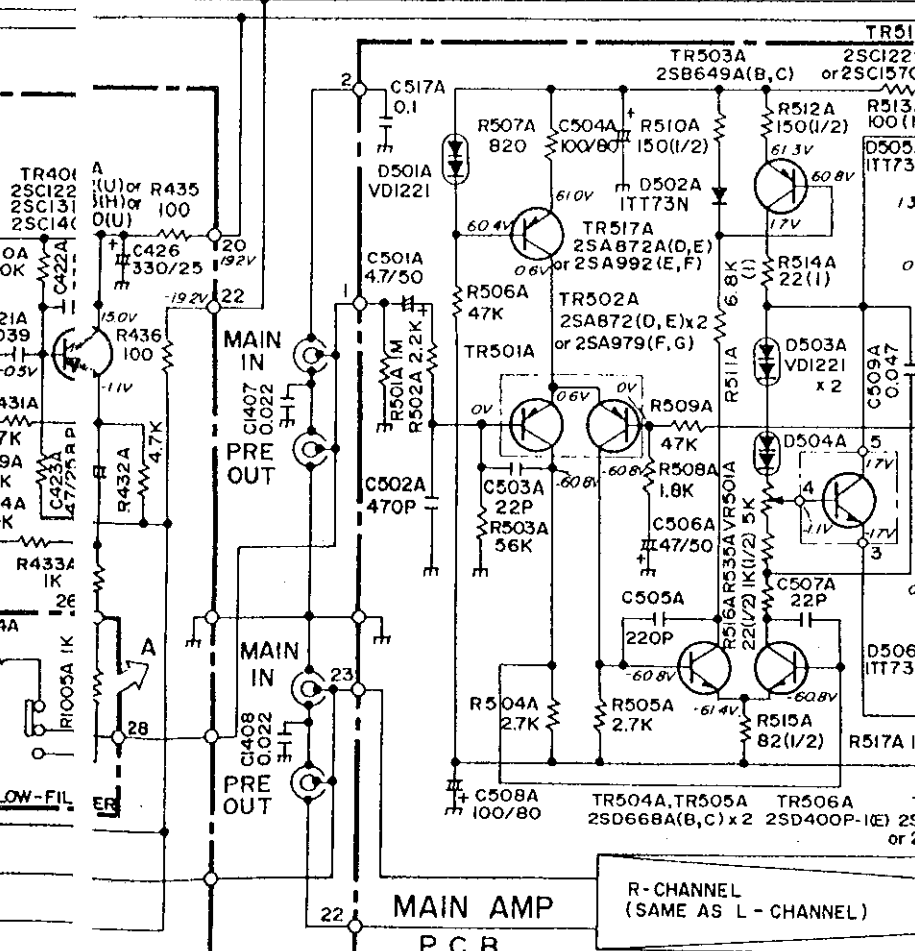
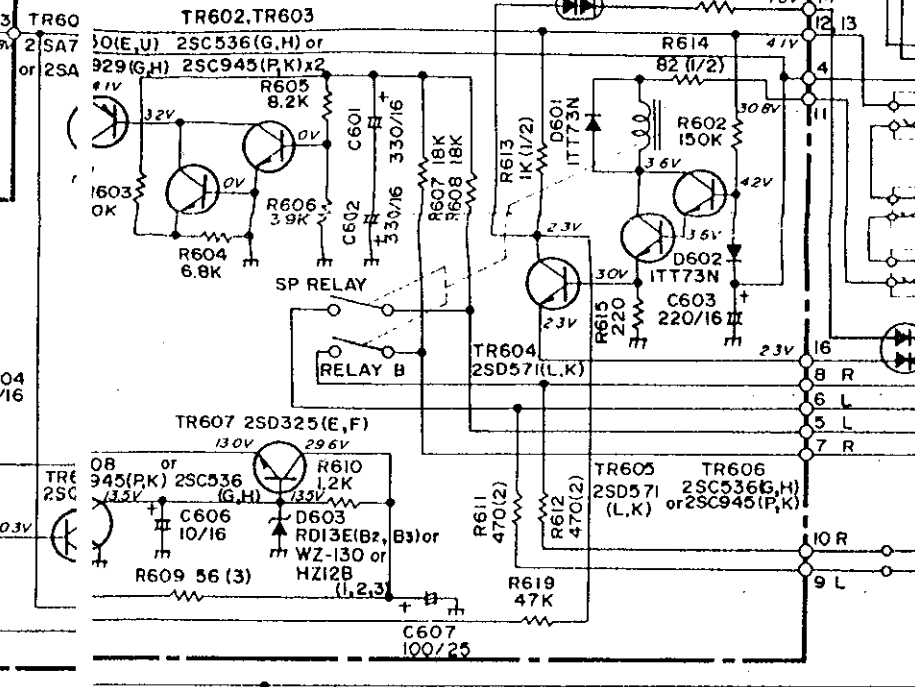


PRE AMP P.C.B.

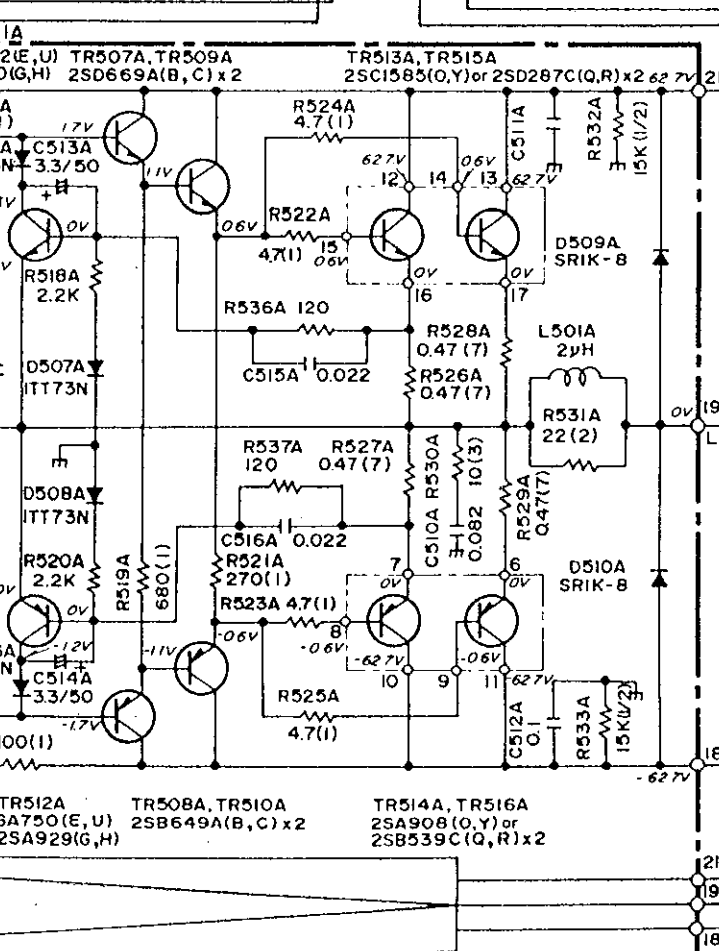
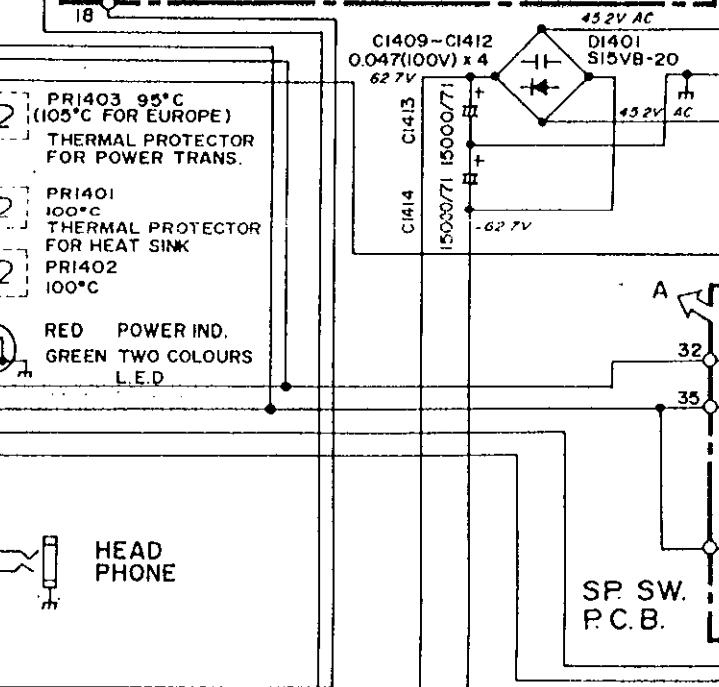
Ss-6 Ss-7 Ss-8 Ss-9a Ss-9b Ss-10



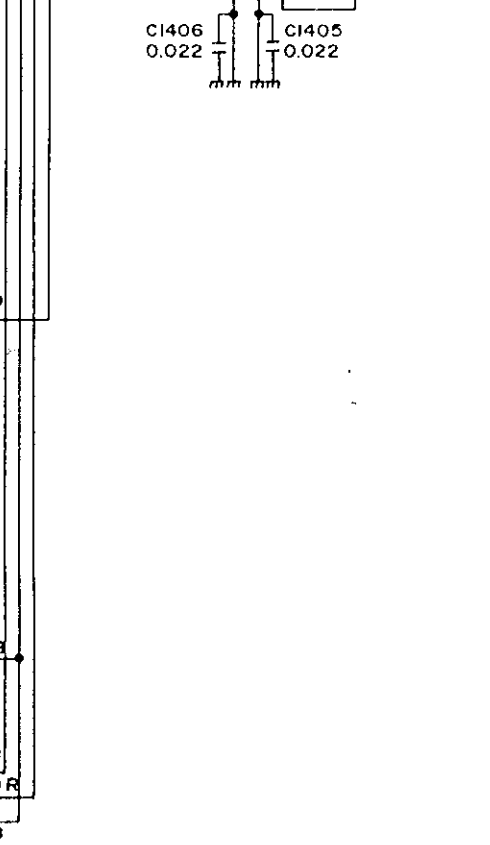
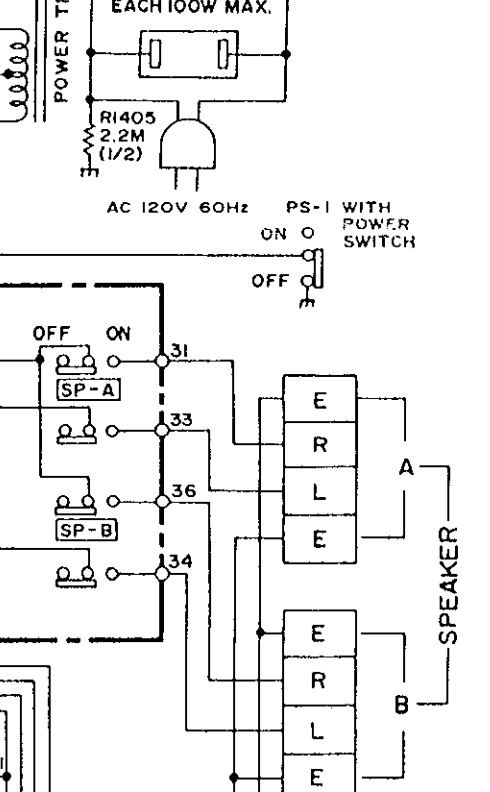
PROTECTOR P.C.B.



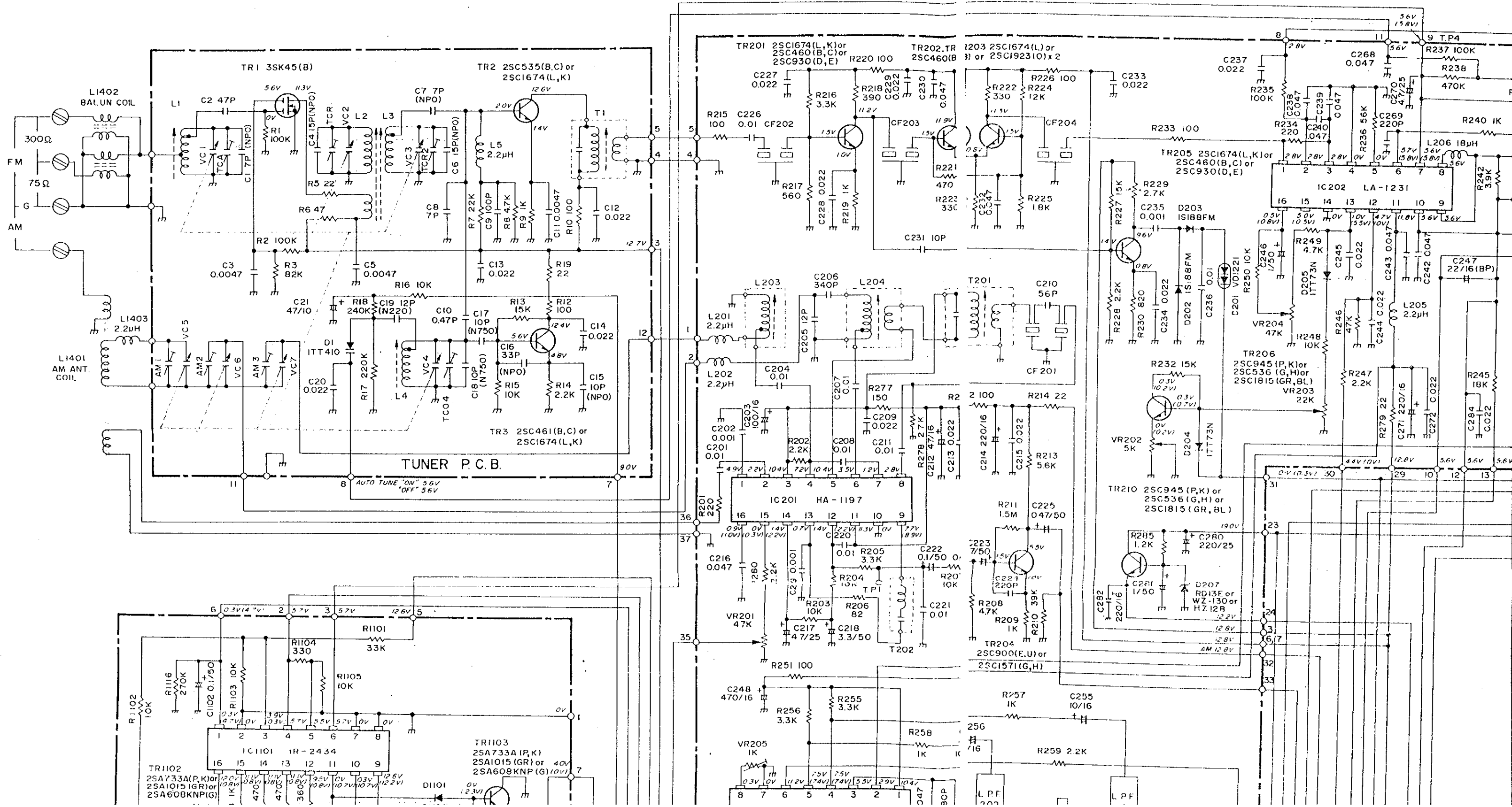
POWER SUPPLY P.C.B.



SP SW. P.C.B.



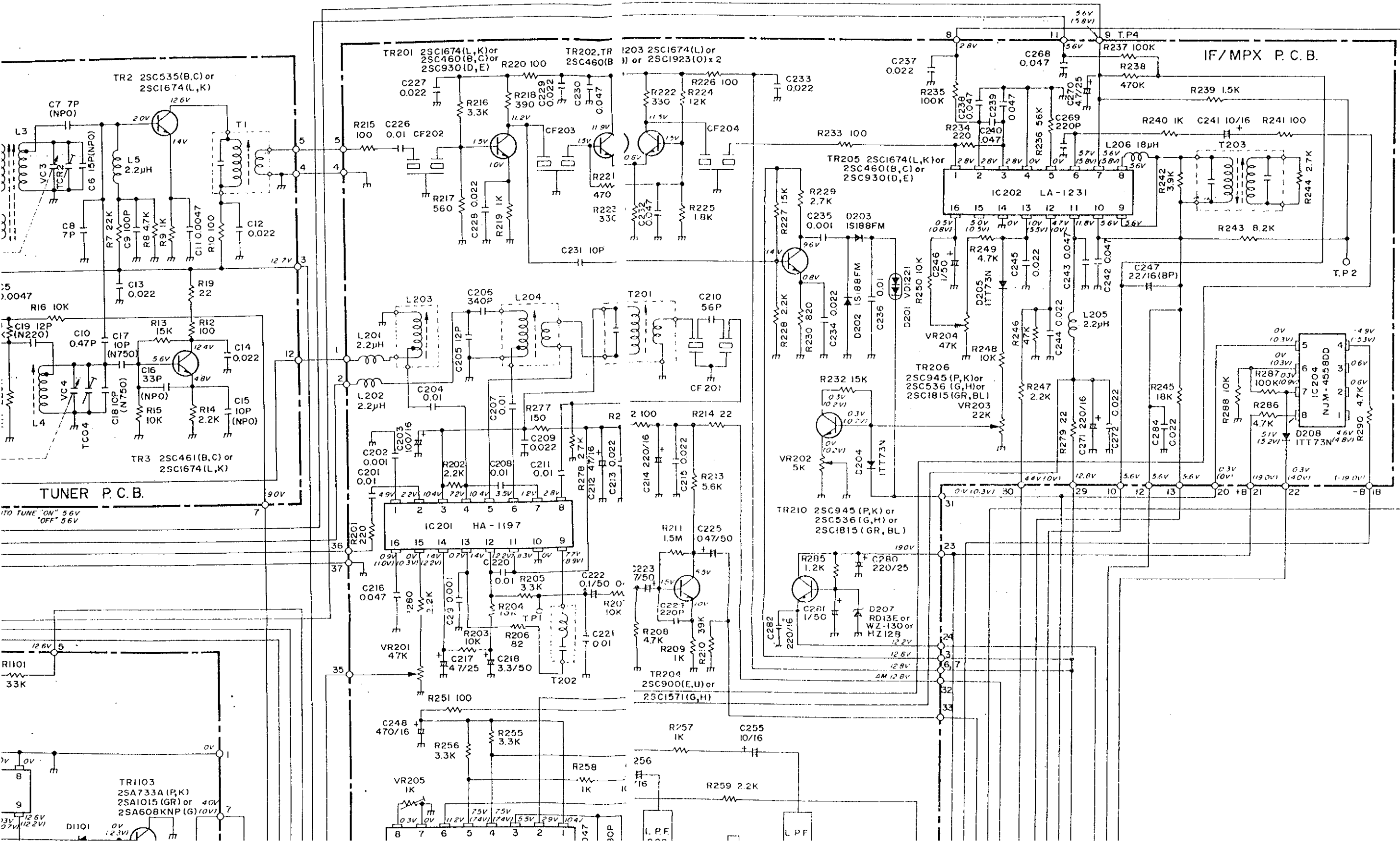
# 32) SCHEMATIC DIAGRAM (TUNER SECTION)



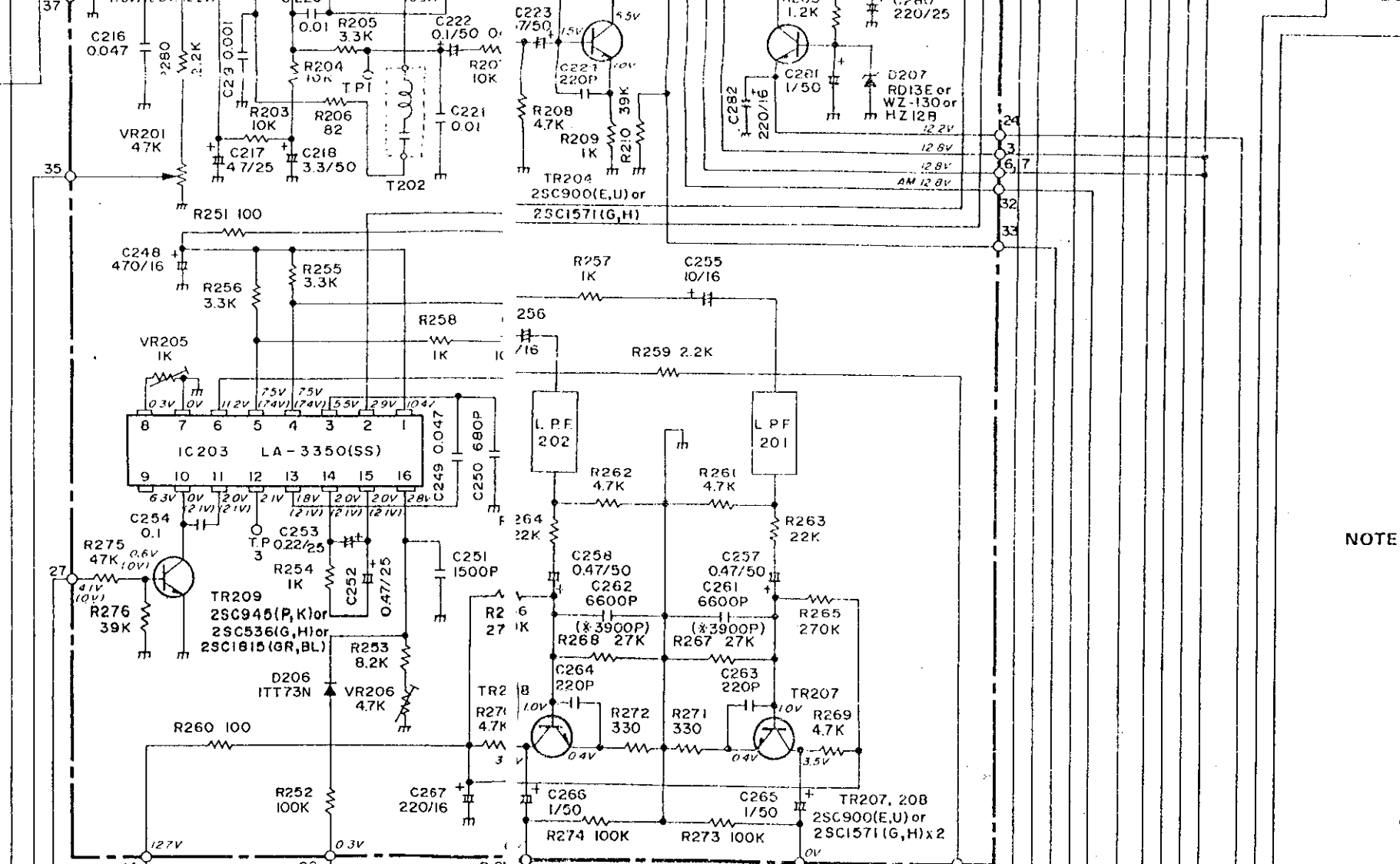
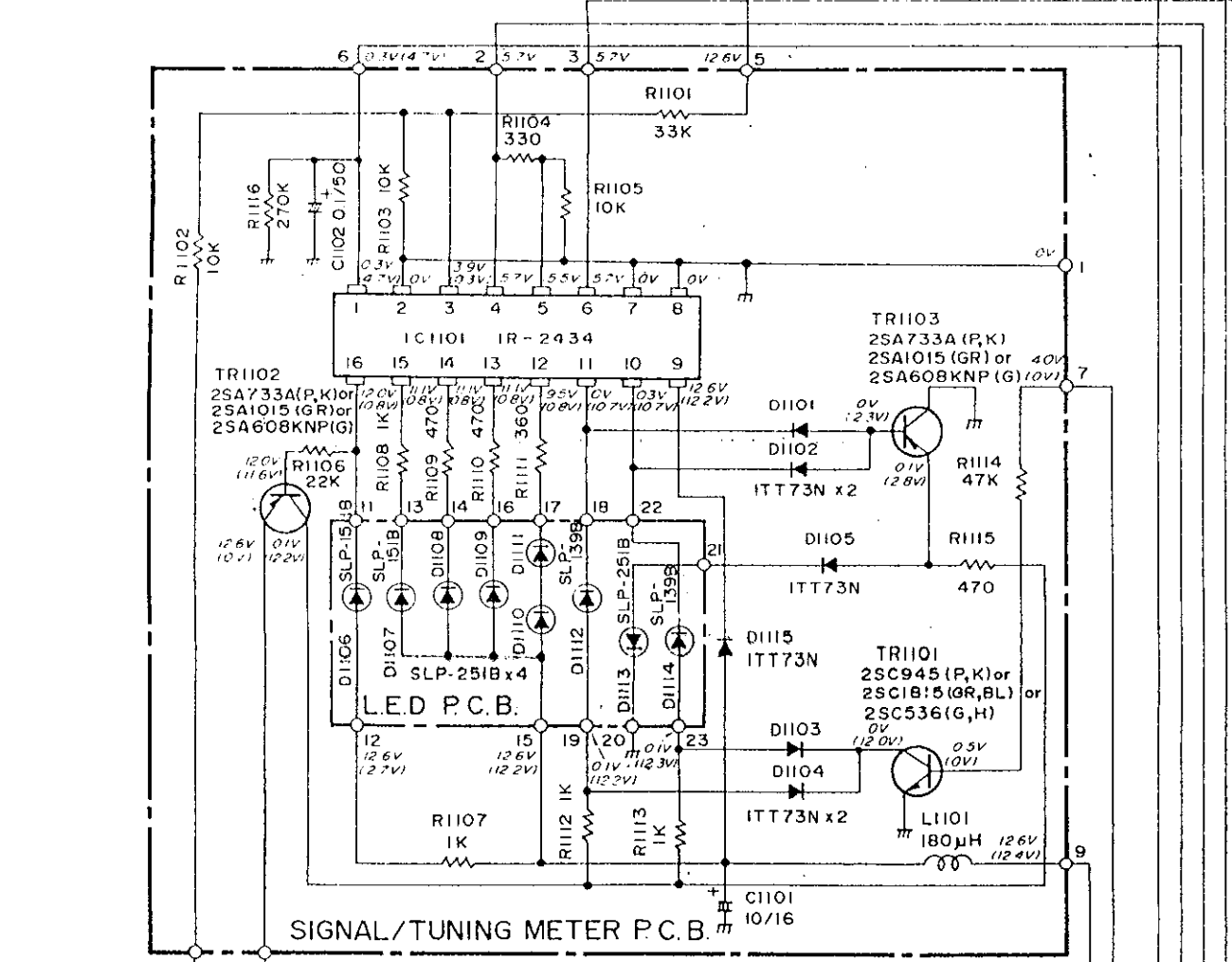
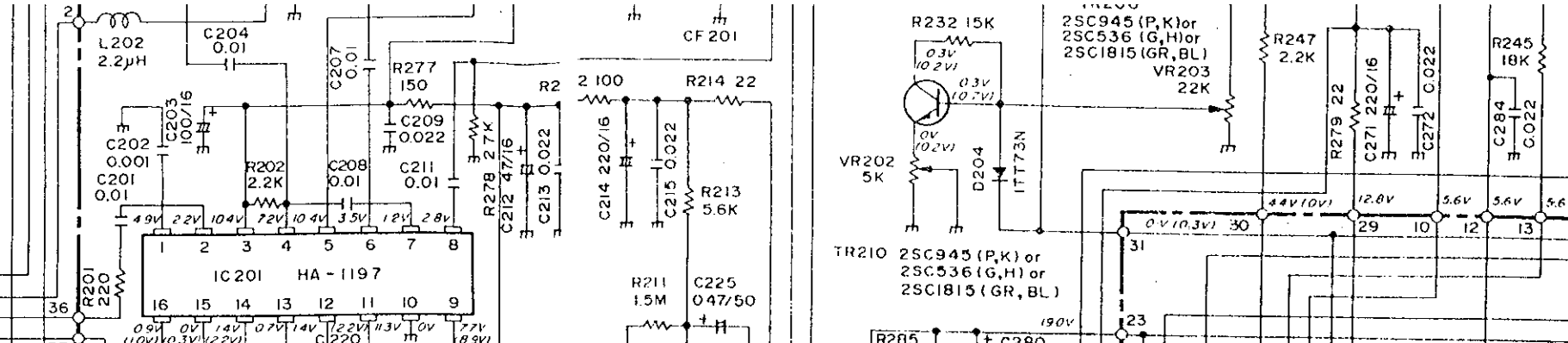
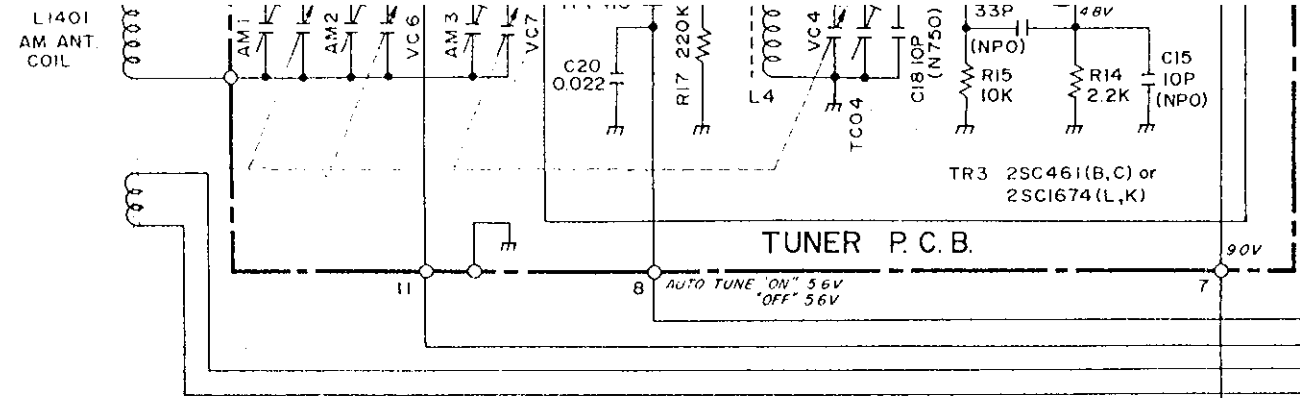


# 32) SCHEMATIC DIAGRAM (TUNER SECTION)

Cat. No. 31-3010



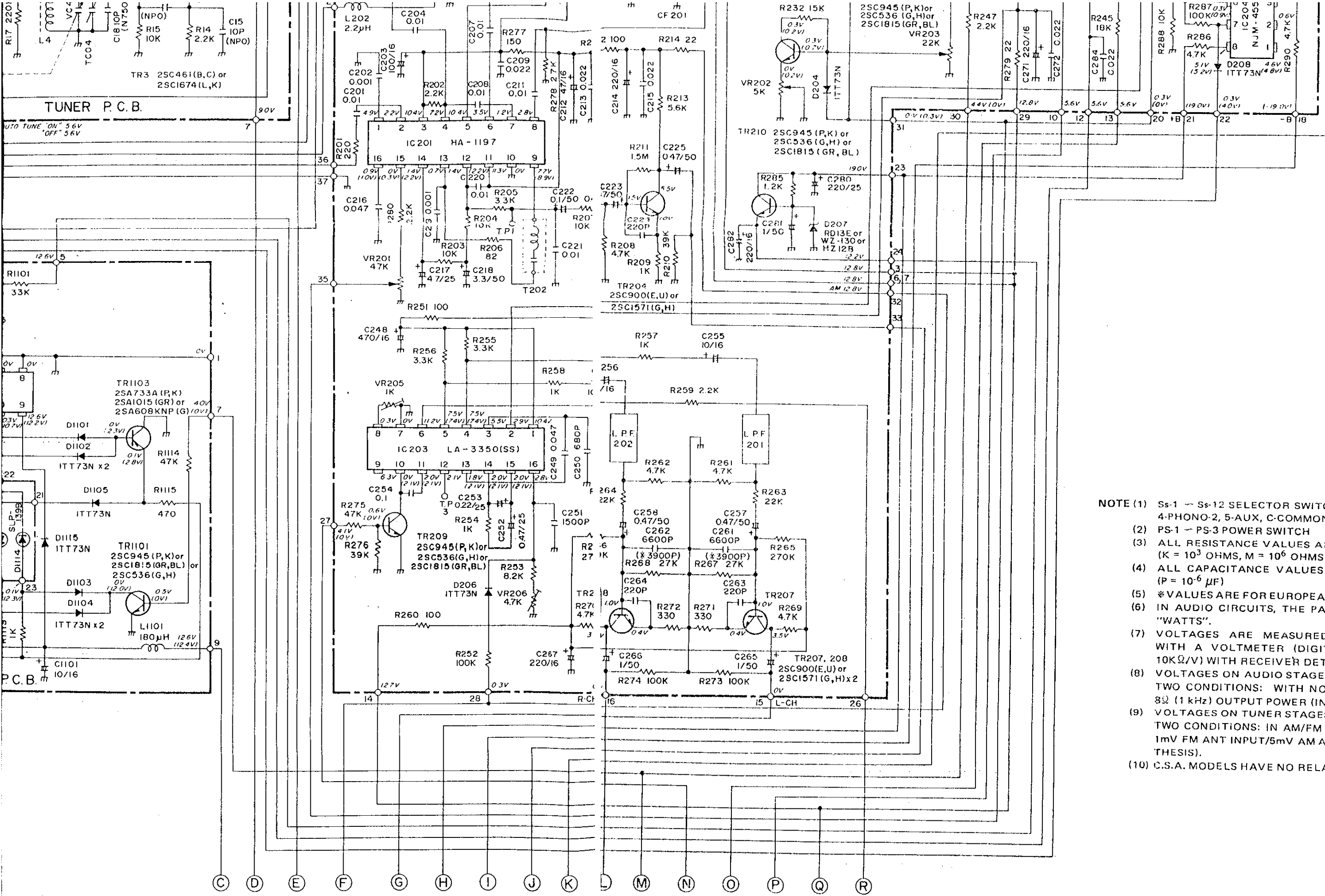




NOTE

A B C D E F G H I J K L M N O P Q R





- NOTE (1)** Ss-1 -- Ss-12 SELECTOR SWITCH 1-AM, 2-FM, 3-PHONO-1, 4-PHONO-2, 5-AUX, C-COMMON
- (2)** PS-1 -- PS-3 POWER SWITCH
- (3)** ALL RESISTANCE VALUES ARE INDICATED IN "OHMS" (K =  $10^3$  OHMS, M =  $10^6$  OHMS)
- (4)** ALL CAPACITANCE VALUES ARE INDICATED IN " $\mu$ F" (P =  $10^{-6}$   $\mu$ F)
- (5)** \*VALUES ARE FOR EUROPEAN & AUSTRALIAN MODELS
- (6)** IN AUDIO CIRCUITS, THE PARENTHESIS VALUES ARE "WATTS".
- (7)** VOLTAGES ARE MEASURED TO CHASSIS GROUND WITH A VOLTMETER (DIGITAL VOLTMETER, OVER  $10K\Omega/V$ ) WITH RECEIVER DETUNED.
- (8)** VOLTAGES ON AUDIO STAGES ARE MEASURED UNDER TWO CONDITIONS: WITH NO INPUT AND 120 WATTS/  $8\Omega$  (1 kHz) OUTPUT POWER (INSIDE PARENTHESIS)
- (9)** VOLTAGES ON TUNER STAGES ARE MEASURED UNDER TWO CONDITIONS: IN AM/FM POSITION NO INPUT AND 1mV FM ANT INPUT/5mV AM ANT INPUT (INSIDE PARENTHESIS).
- (10)** C.S.A. MODELS HAVE NO RELAY P.C.B..