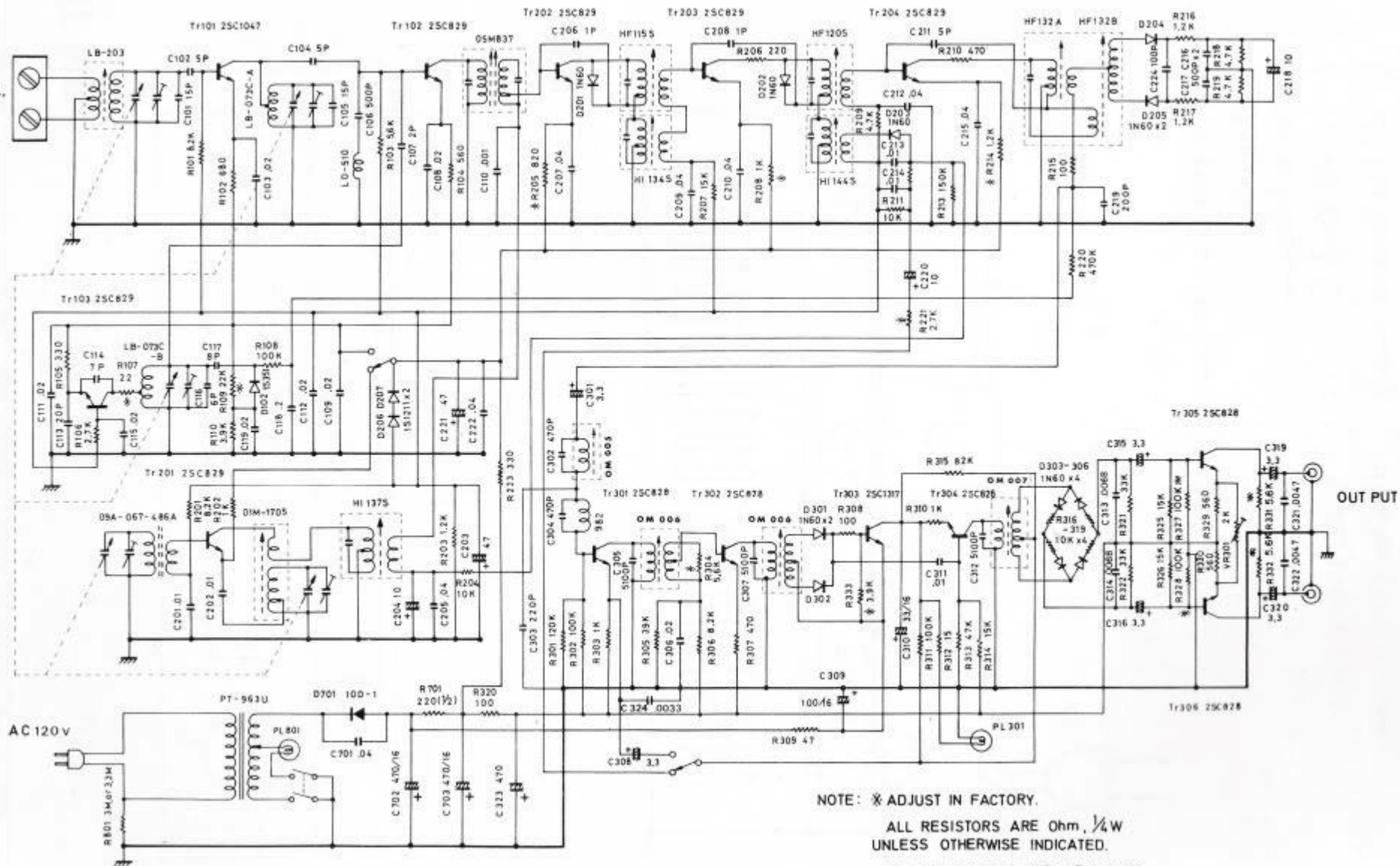


FM EXT.
ANT.



NOTE: * ADJUST IN FACTORY.

ALL RESISTORS ARE Ohm, $\frac{1}{4}$ W
UNLESS OTHERWISE INDICATED.

ALL CAPACITORS ARE μ F, (P=PF)
UNLESS OTHERWISE INDICATED.