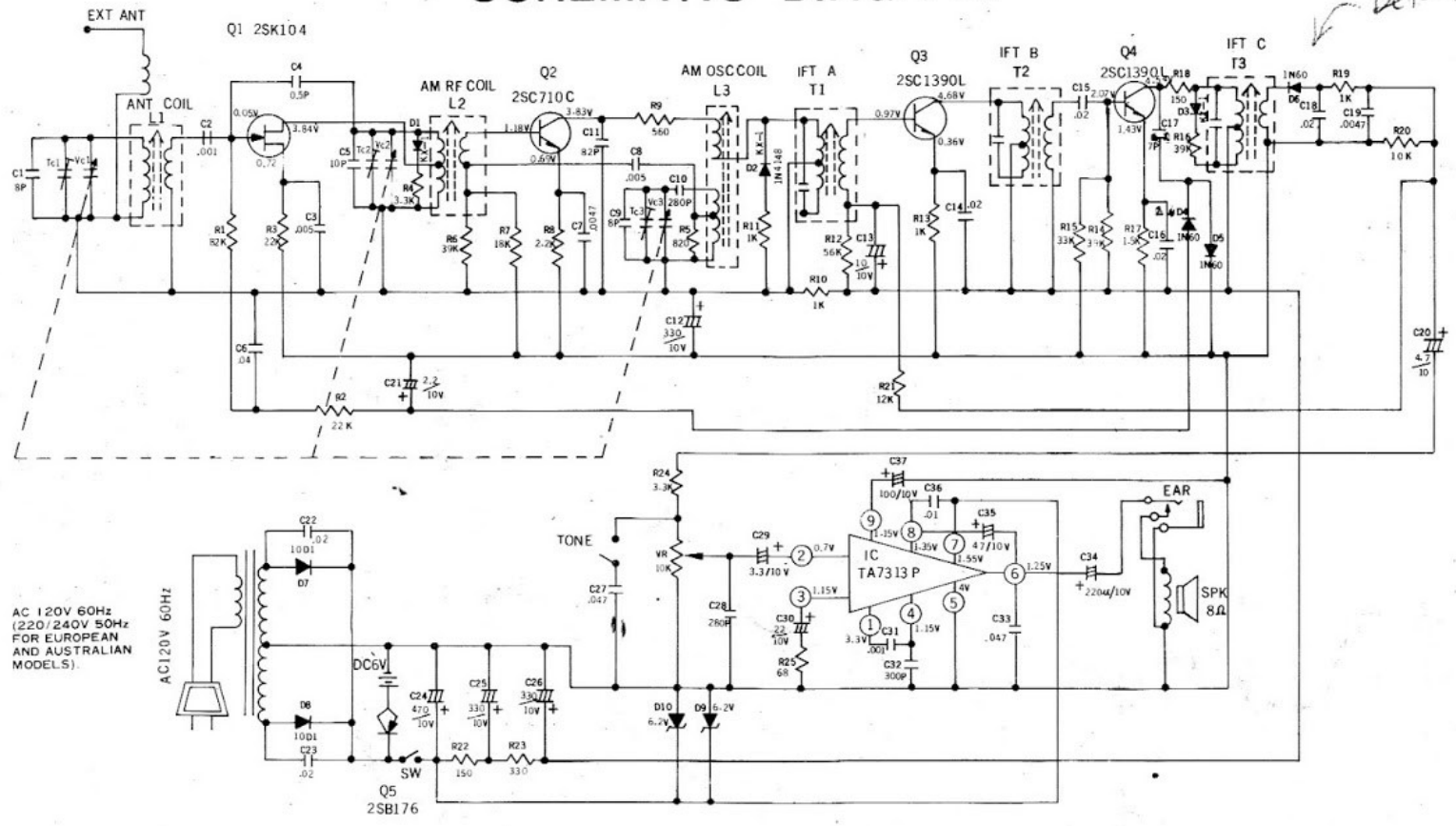


SCHEMATIC DIAGRAM

Defective



AC 120V 60Hz
(220/240V 50Hz
FOR EUROPEAN
AND AUSTRALIAN
MODELS)

NOTE:

Resistance values are indicated in ohms unless otherwise specified
(K = 1,000 ohms, M = Meg ohms).
Capacitance values are shown in microfarads unless otherwise noted
(P = micro-microfarads)

12-656A

RADIO SHACK, A DIVISION OF TANDY CORPORATION

U.S.A.: FORT WORTH, TEXAS 76102
CANADA: BARRIE, ONTARIO L4M 4W5

TANDY CORPORATION

AUSTRALIA	BELGIUM	U. K.
91 KURRAJONG ROAD MOUNT DRUITT, N.S.W. 2770	PARC INDUSTRIEL DE NANINNE 5140 NANINNE	BILSTON ROAD WEDNESBURY WEST MIDLANDS WS10 7JN