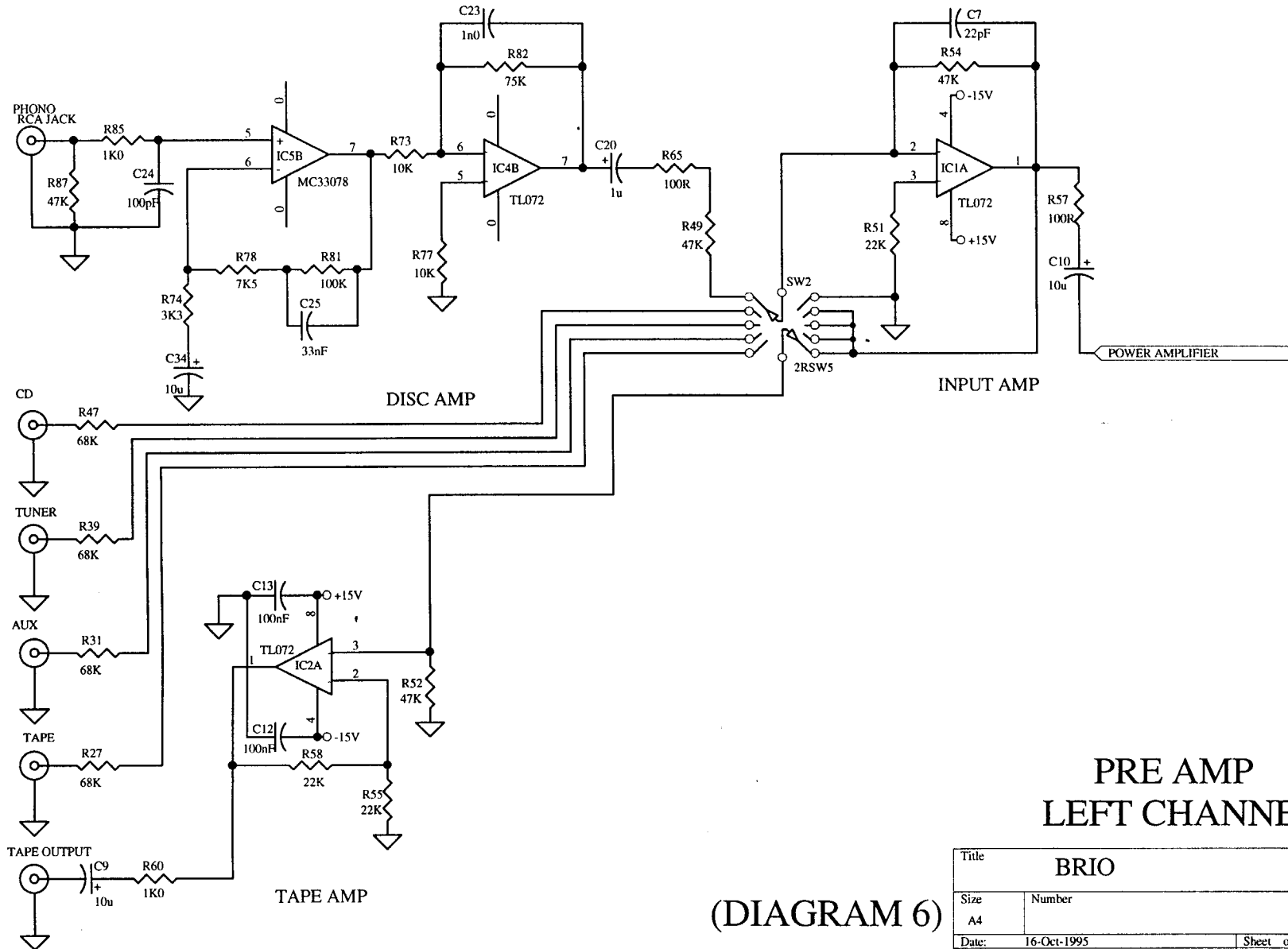


# PRE AMP RIGHT CHANNEL

(DIAGRAM 5)

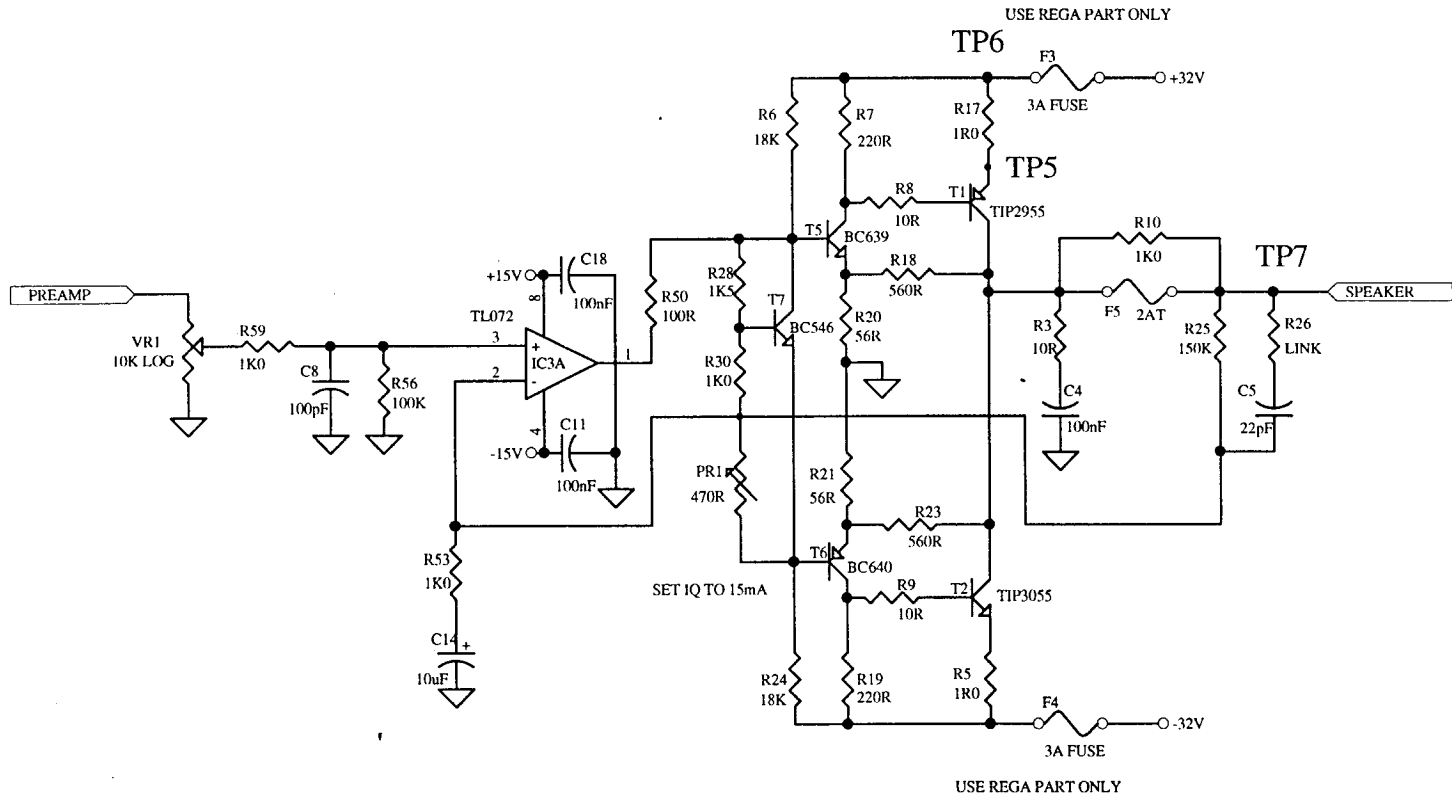
Title		
BRIO		
Size	Number	Revision
A4		
Date:	16-Oct-1995	Sheet of
File:	D:\NEW\DI\AJAY\REGA#37.SCH	Drawn By:



# PRE AMP LEFT CHANNEL

(DIAGRAM 6)

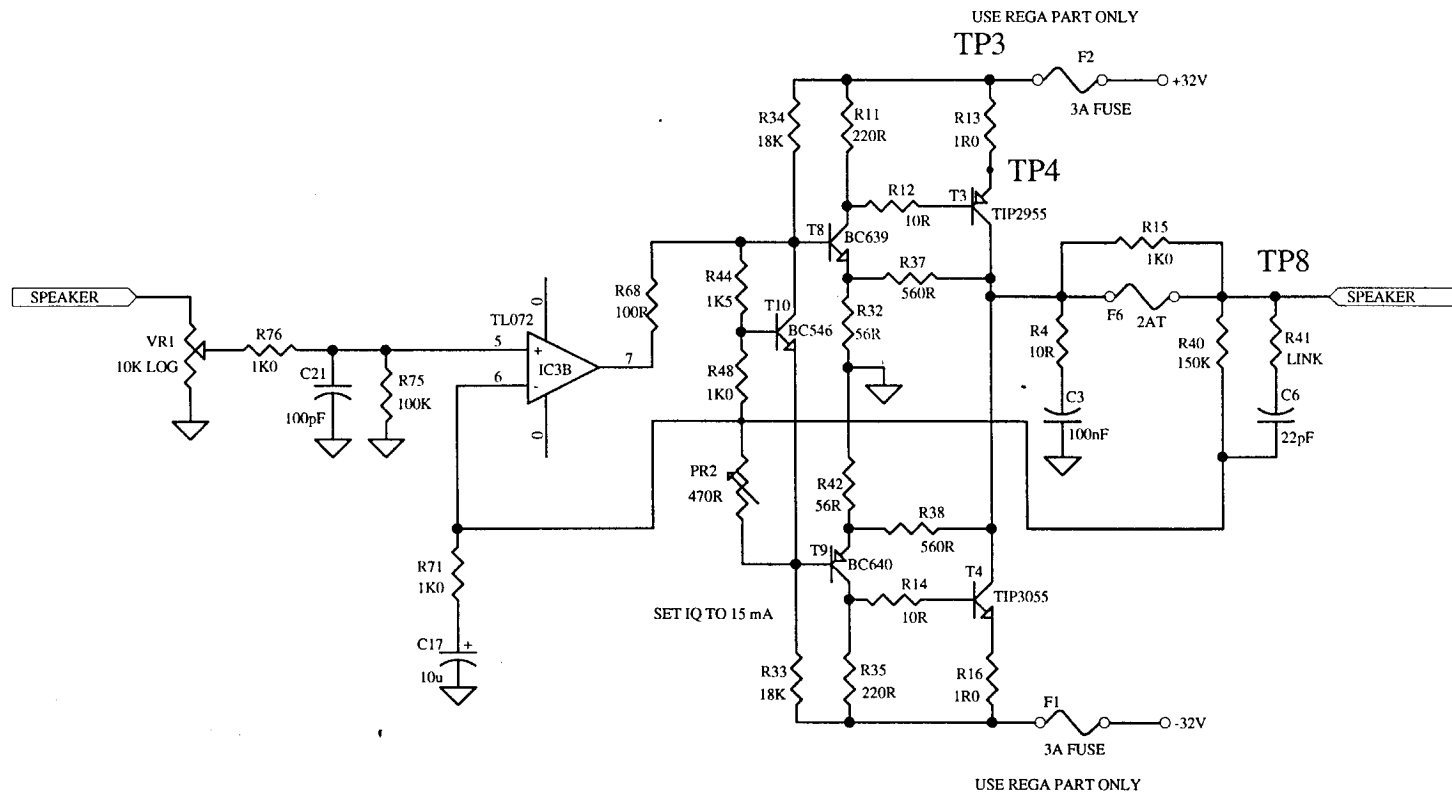
Title			BRIO		
Size	Number	Revision			
A4					
Date:	16-Oct-1995	Sheet of			
File:	D:\NEW\DJAJAY\REGA#38_SCH	Drawn By:			



# POWER AMP RIGHT CHANNEL

(DIAGRAM 7)

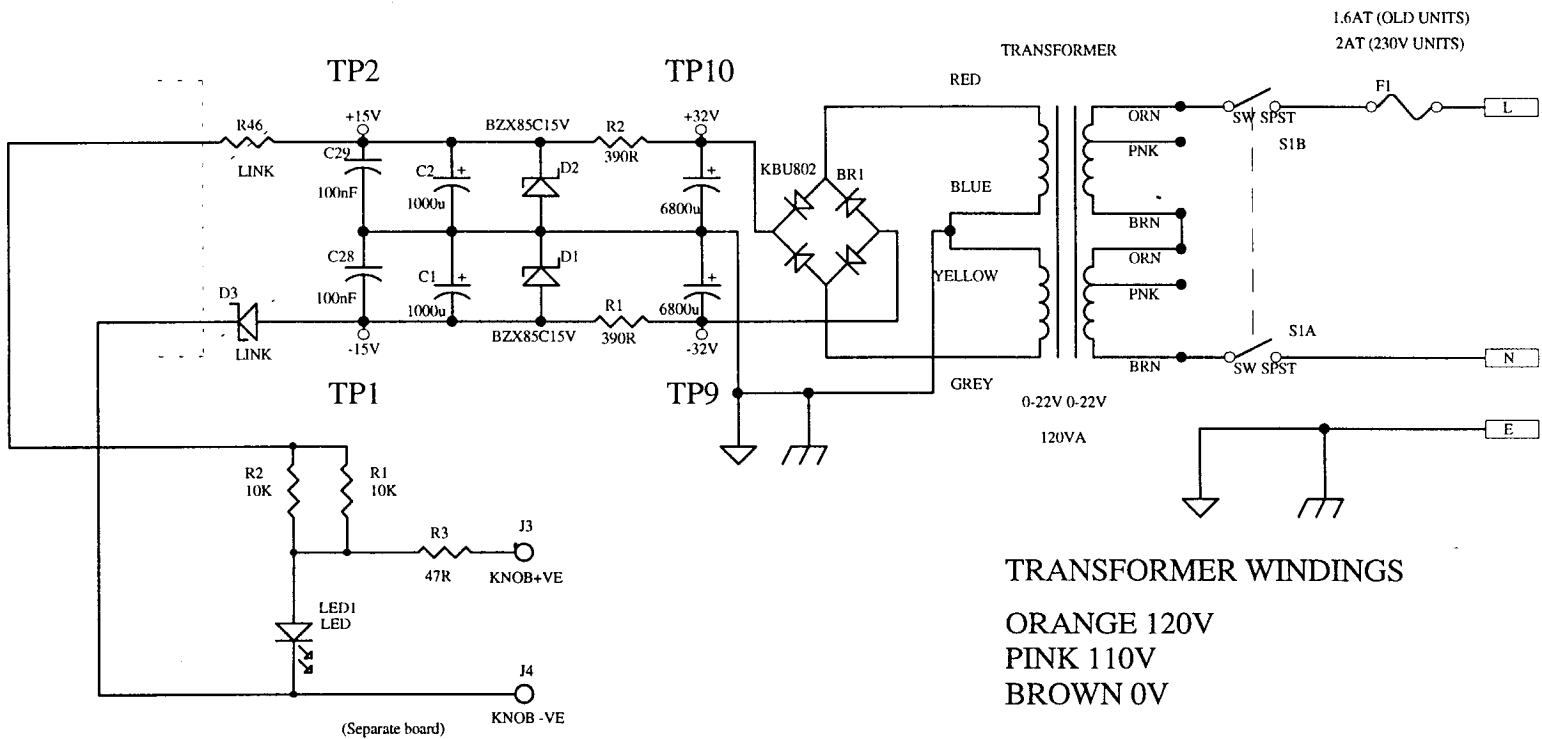
Title			BRIO		
Size	Number	Revision			
A4					
Date:	16-Oct-1995	Sheet of			
File:	D:\NEW\DIJA\YREGA#39.SCH	Drawn By:			



# POWER AMP LEFT CHANNEL

(DIAGRAM 8)

Title <b>BRIO</b>		
Size A4	Number	Revision
Date: 16-Oct-1995	Sheet of	
File: D:\NEW\DIJA\YREGA#40.SCH	Drawn By:	

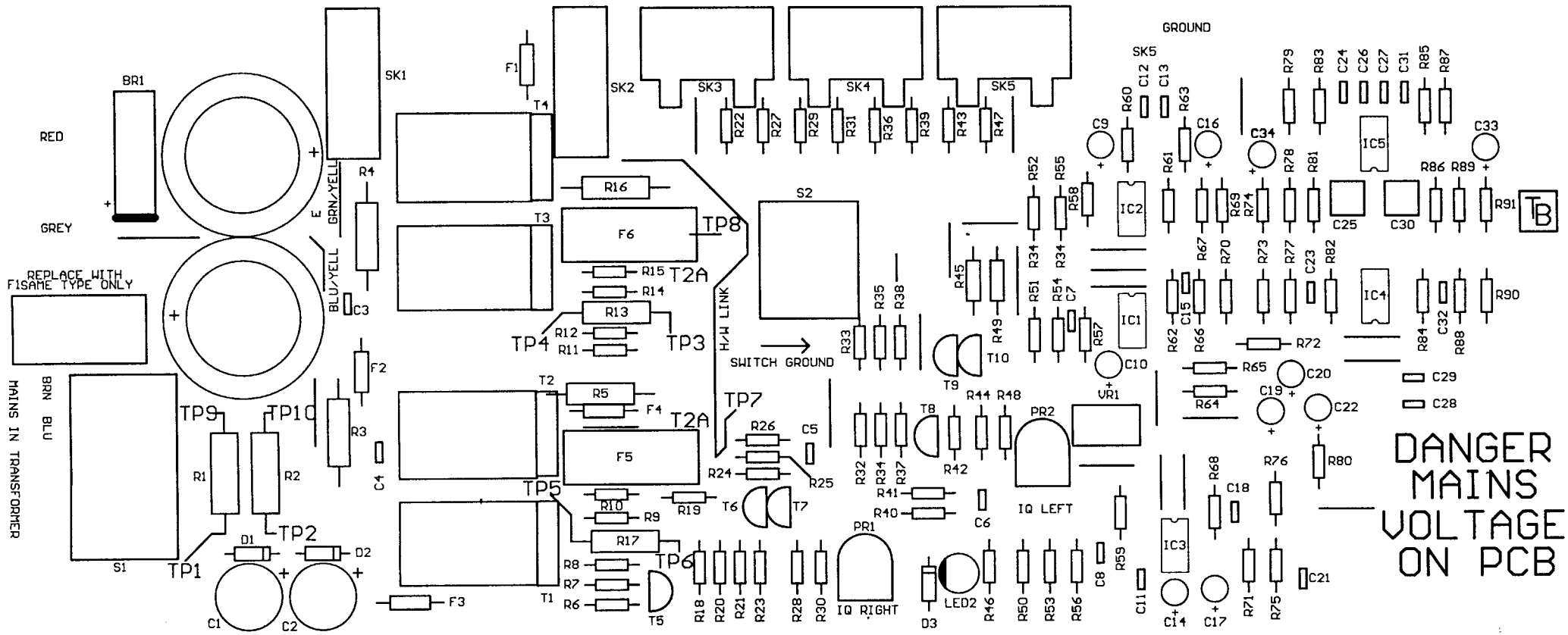


TRANSFORMER WINDINGS  
 ORANGE 120V  
 PINK 110V  
 BROWN 0V

### POWER SUPPLY

(DIAGRAM 9)

Title		
BRIO		
Size	Number	Revision
A4		
Date:	16-Oct-1995	Sheet of
File:	D:\NEW\DJAVAY\REGA#41.SCH	Drawn By:



**DANGER  
MAINS  
VOLTAGE  
ON PCB**