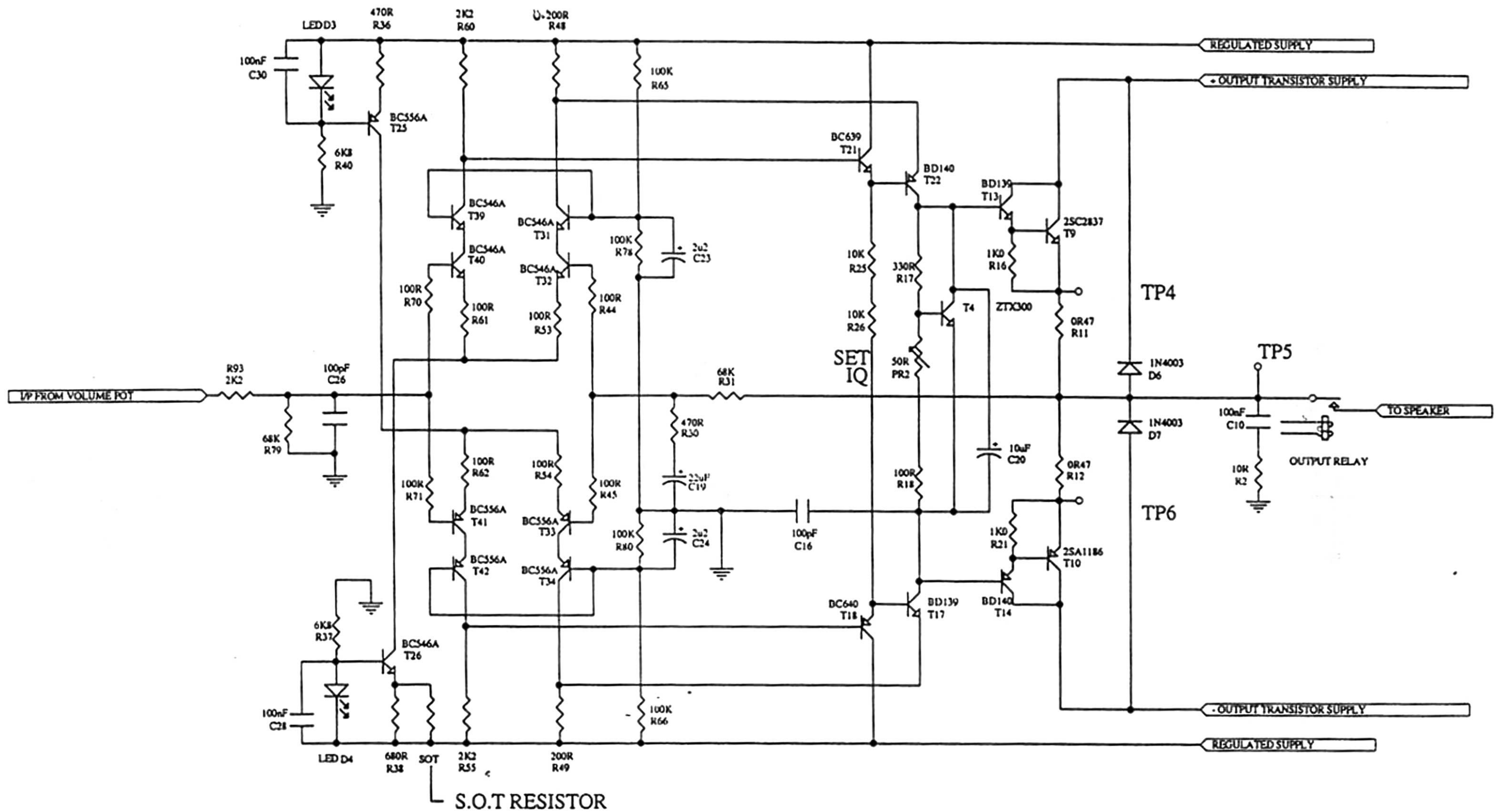


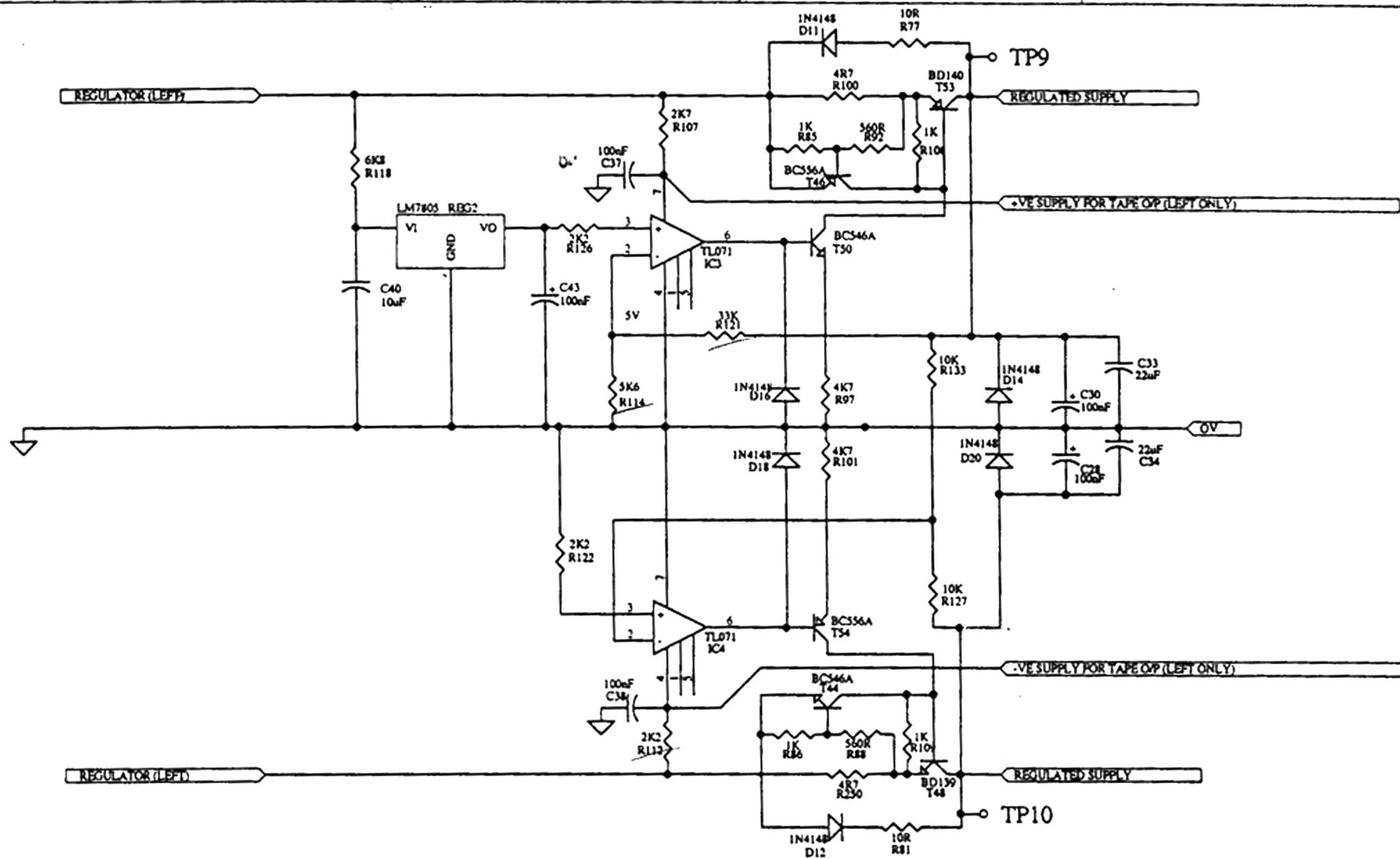
RG19

Title		
ELEX I/P SWITCH ASSEMBLY		
Size	Number	Revision
Orcad B		
Date:	6-Dec-1995	Sheet of
File:	C:\DRAWING\ORCAD\RG19\1981.SCH	Drawn By:



RG17

Title		
ELEX LEFT POWER AMP		
Size	Number	Revision
Orcad B		
Date:	6-Dec-1995	Sheet of
File:	C:\DRAWING\ORCAD\REGAM17L SCH	Drawn By:

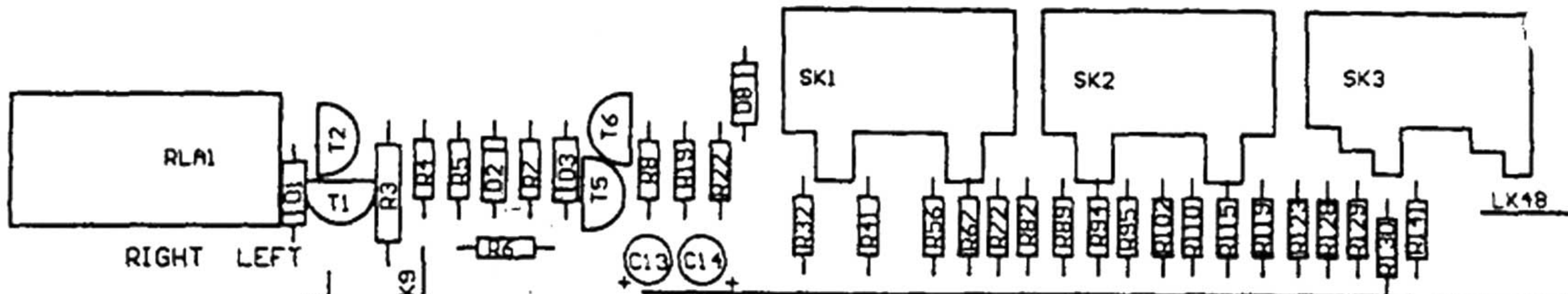


NOTE ELEX HAS SEPARATE REGULATED PSU'S
BUT A COMMON WINDING ON THE TRANSFORMER

RG16

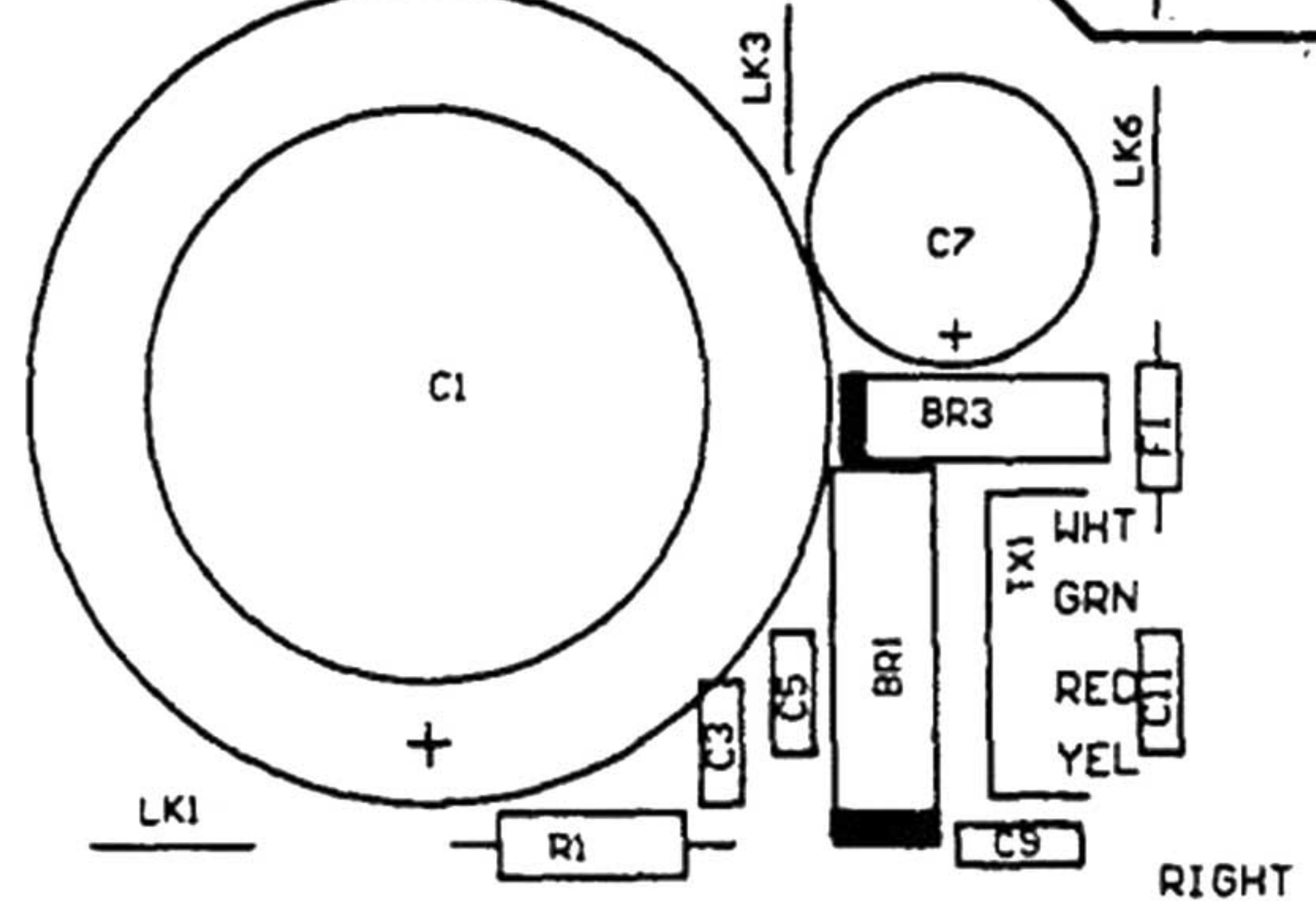
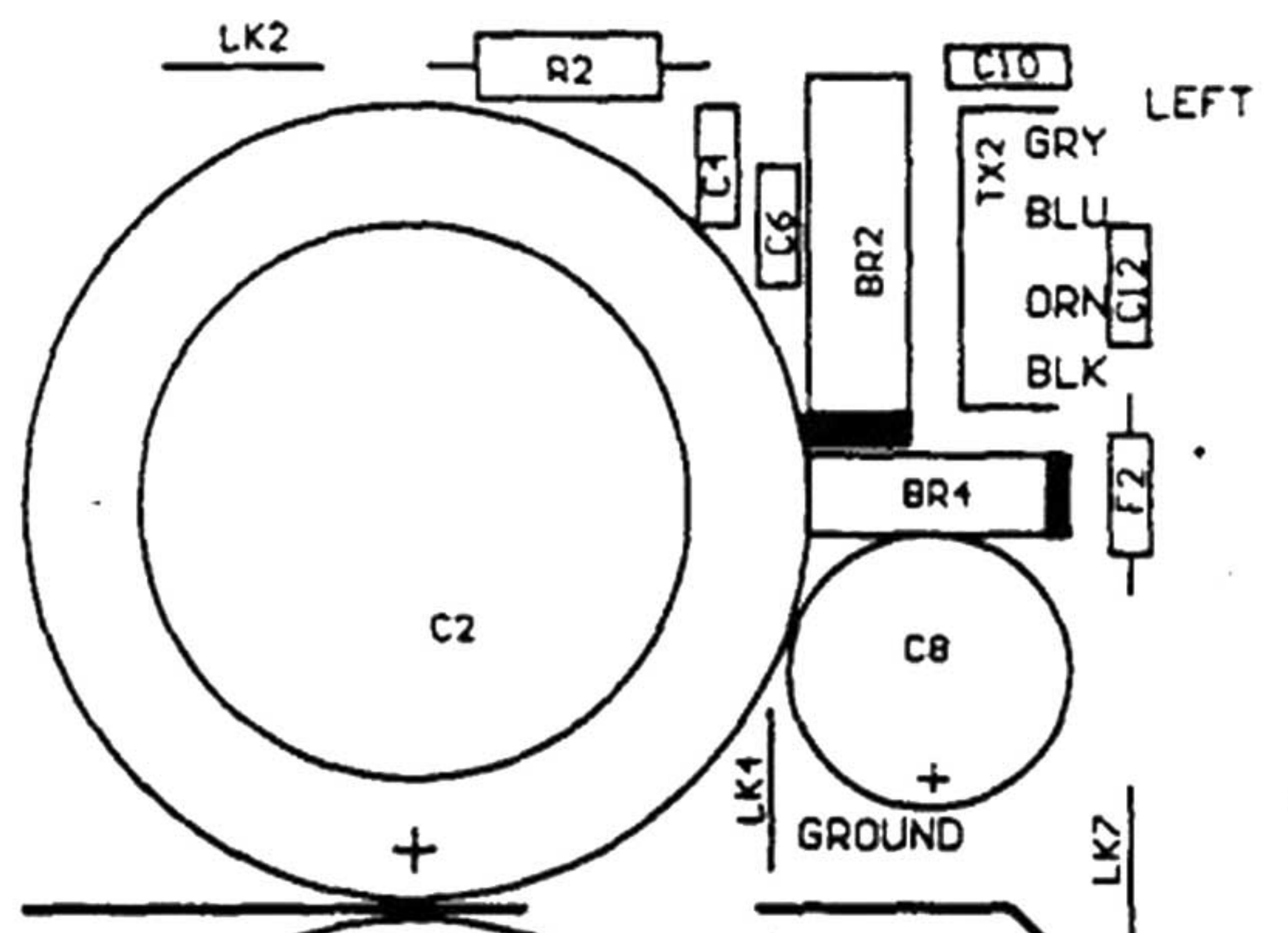
Title		
ELEX LEFT PSU		
Size	Number	Revision
Circuit B		
Date:	CDC-1998	Sheet of
File:	C:\DRAWING\ORCAD\REGUL\LSCH.Dwg	Drawn By:

LEFT
RIGHT



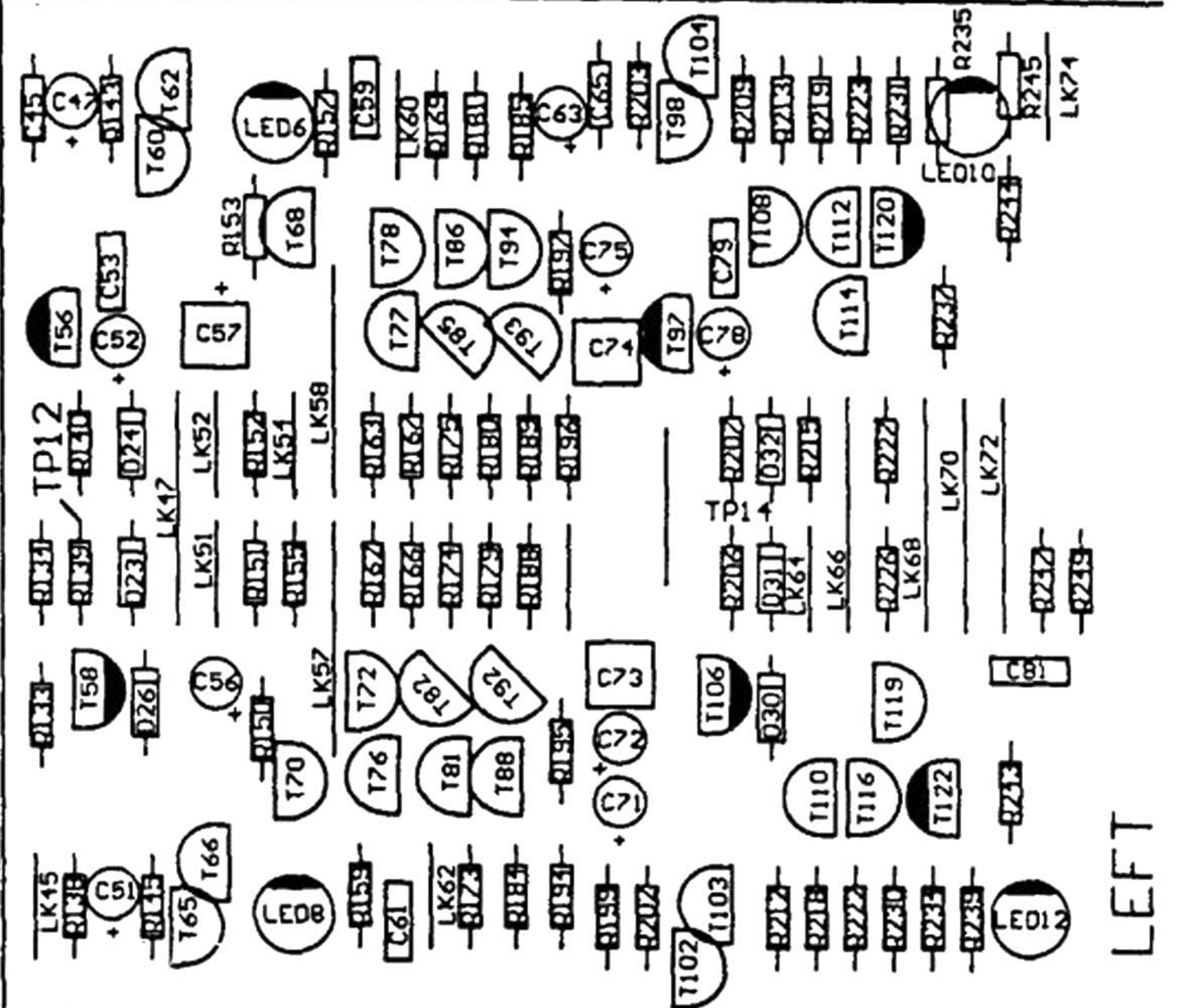
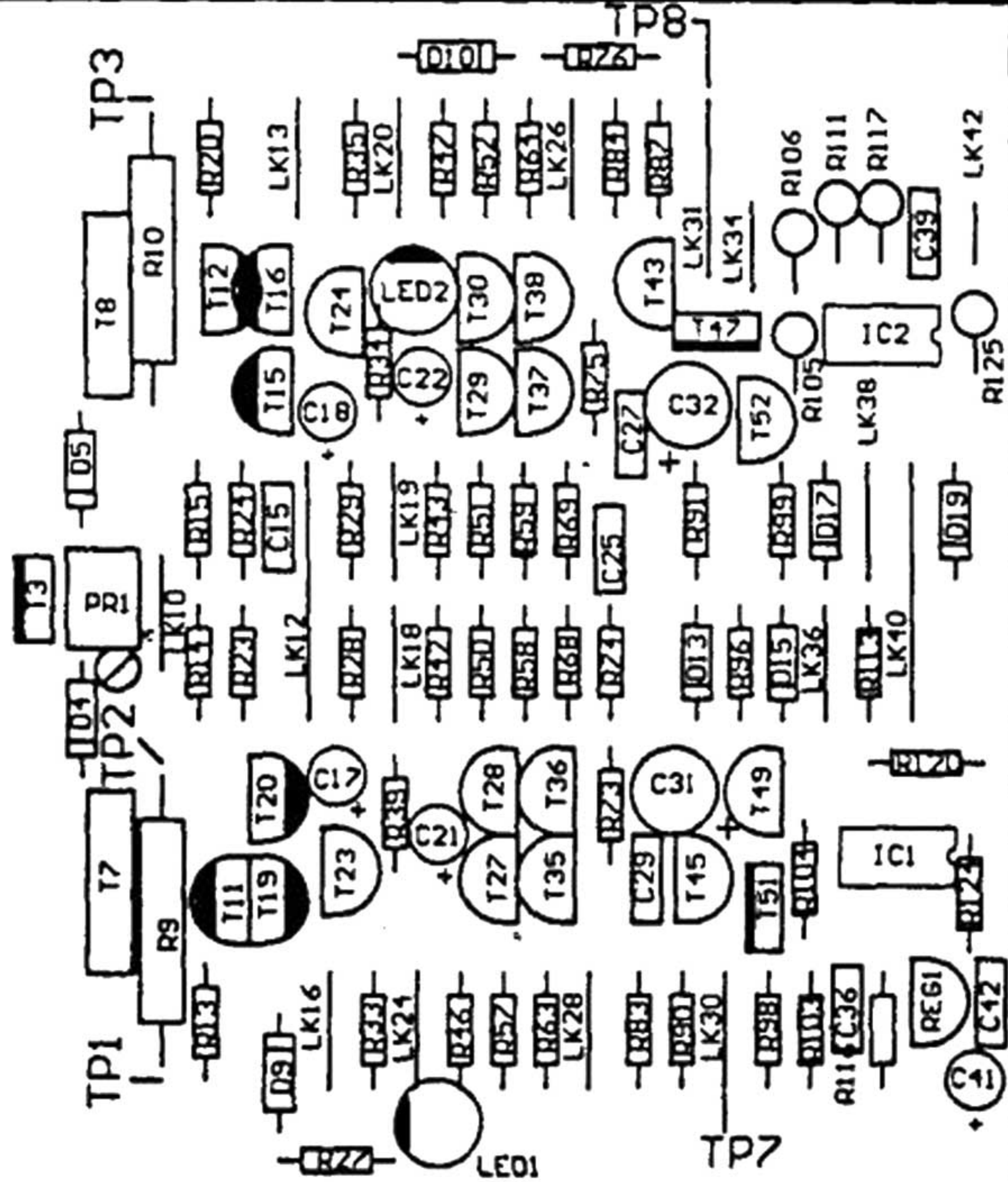
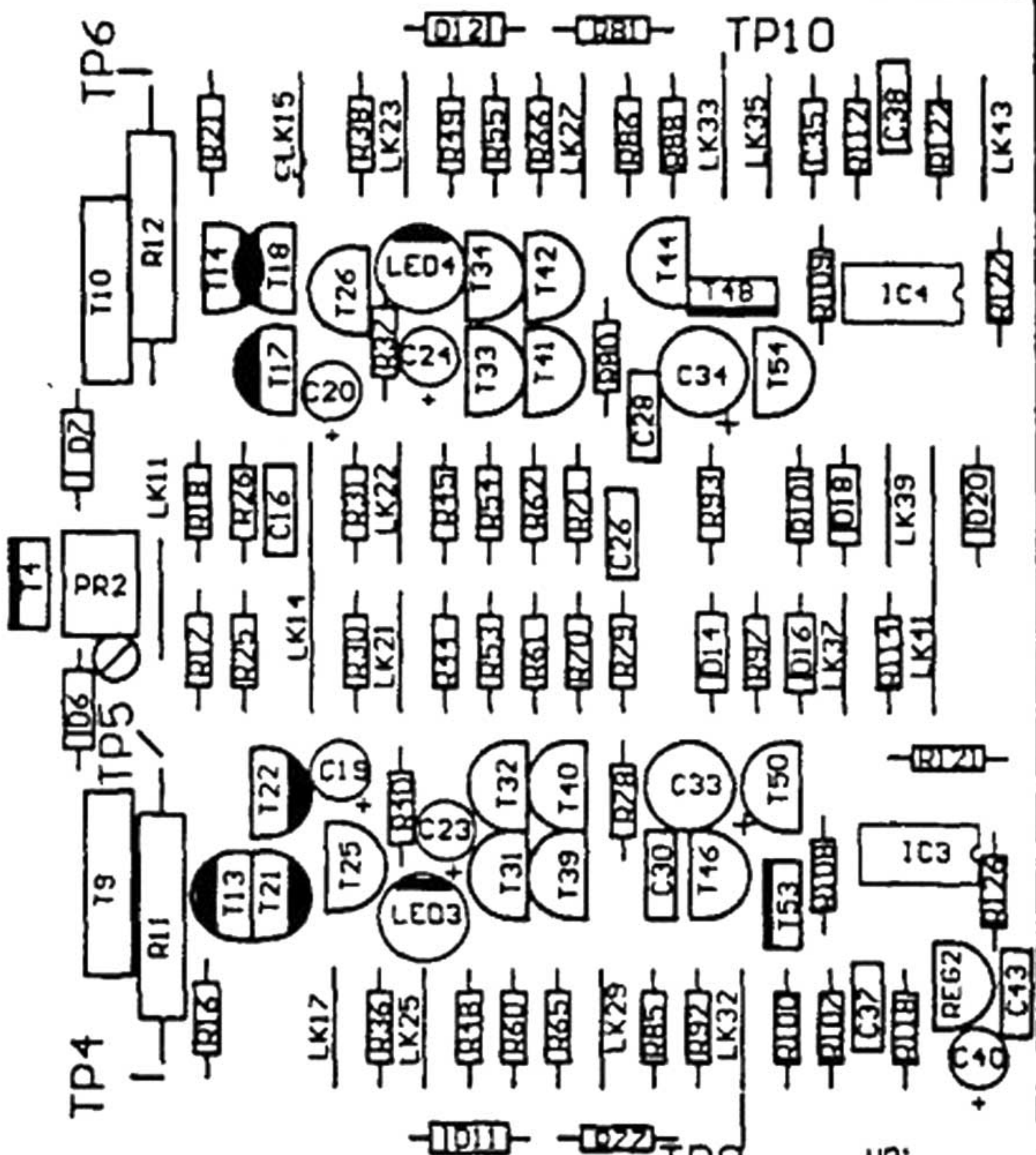
GROUND

REFLEX VER #02
REGA M/B ISS2

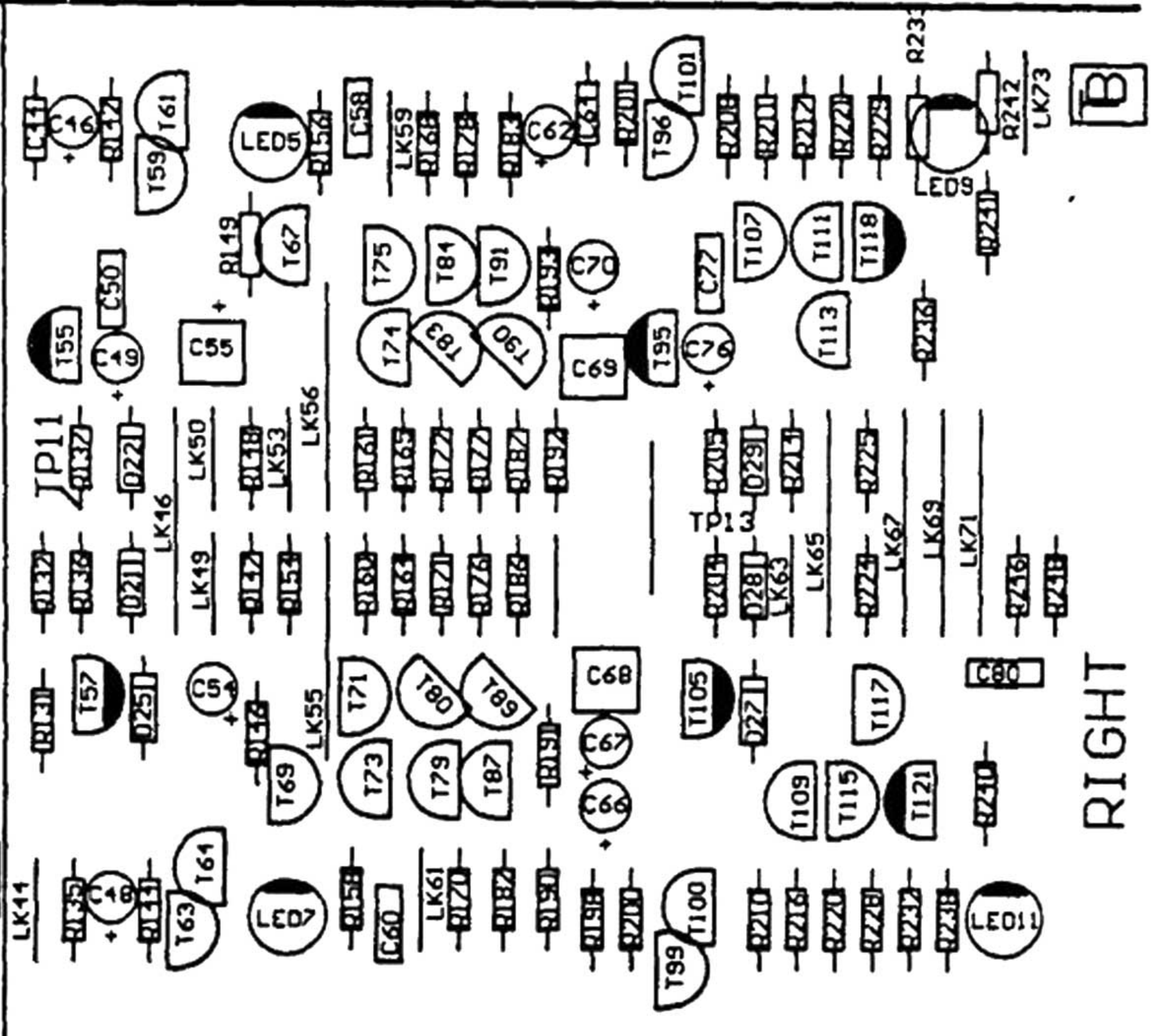


RIGHT

LK5



LEFT



RIGHT

B