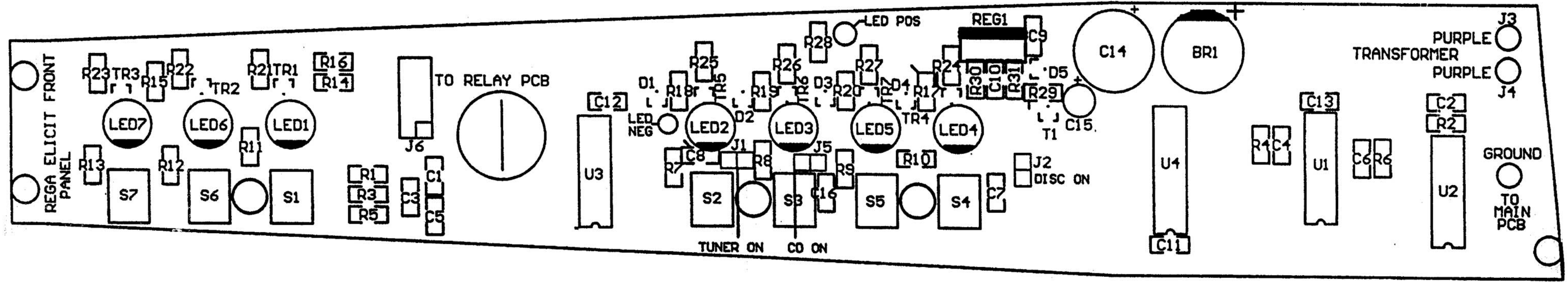
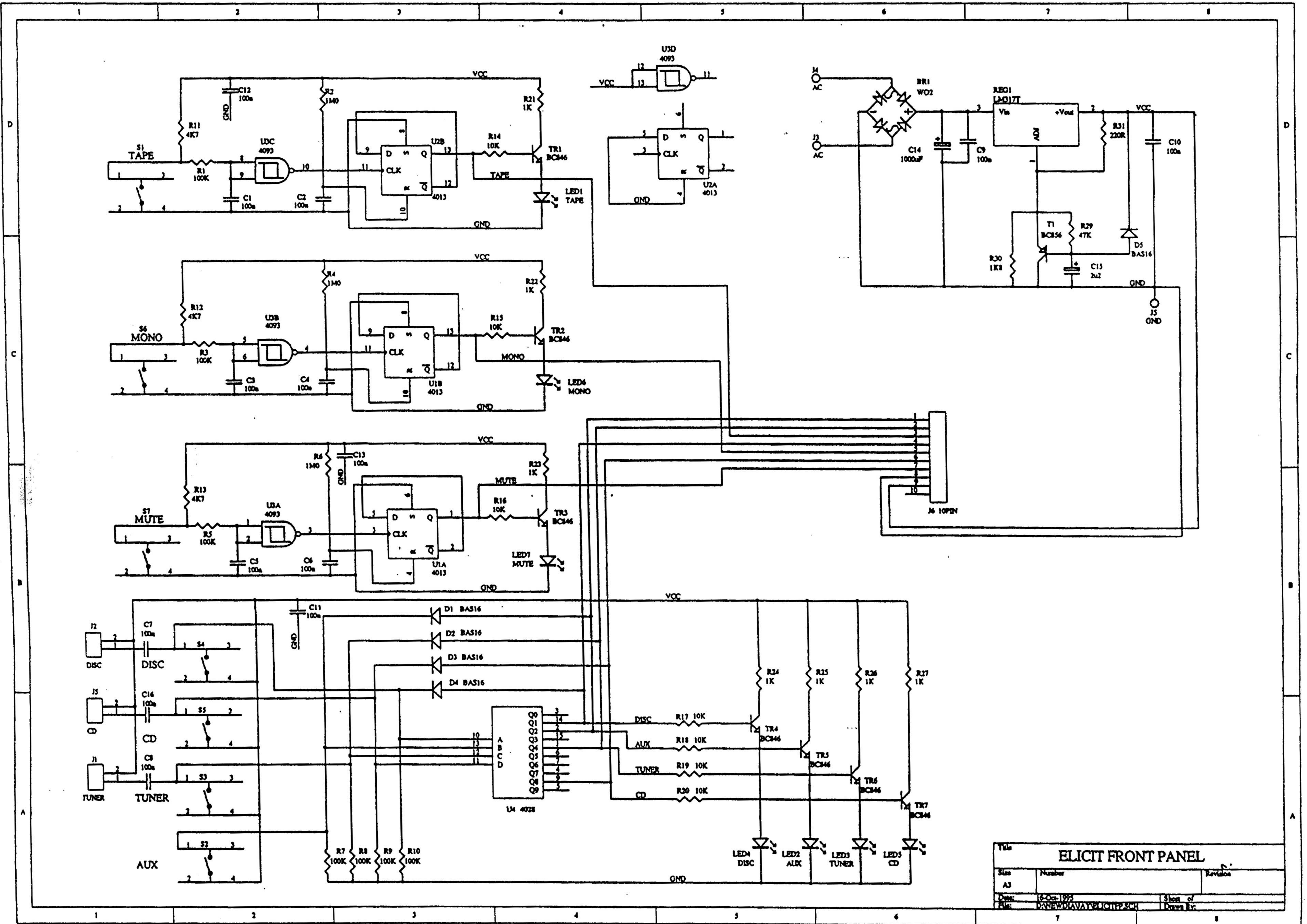
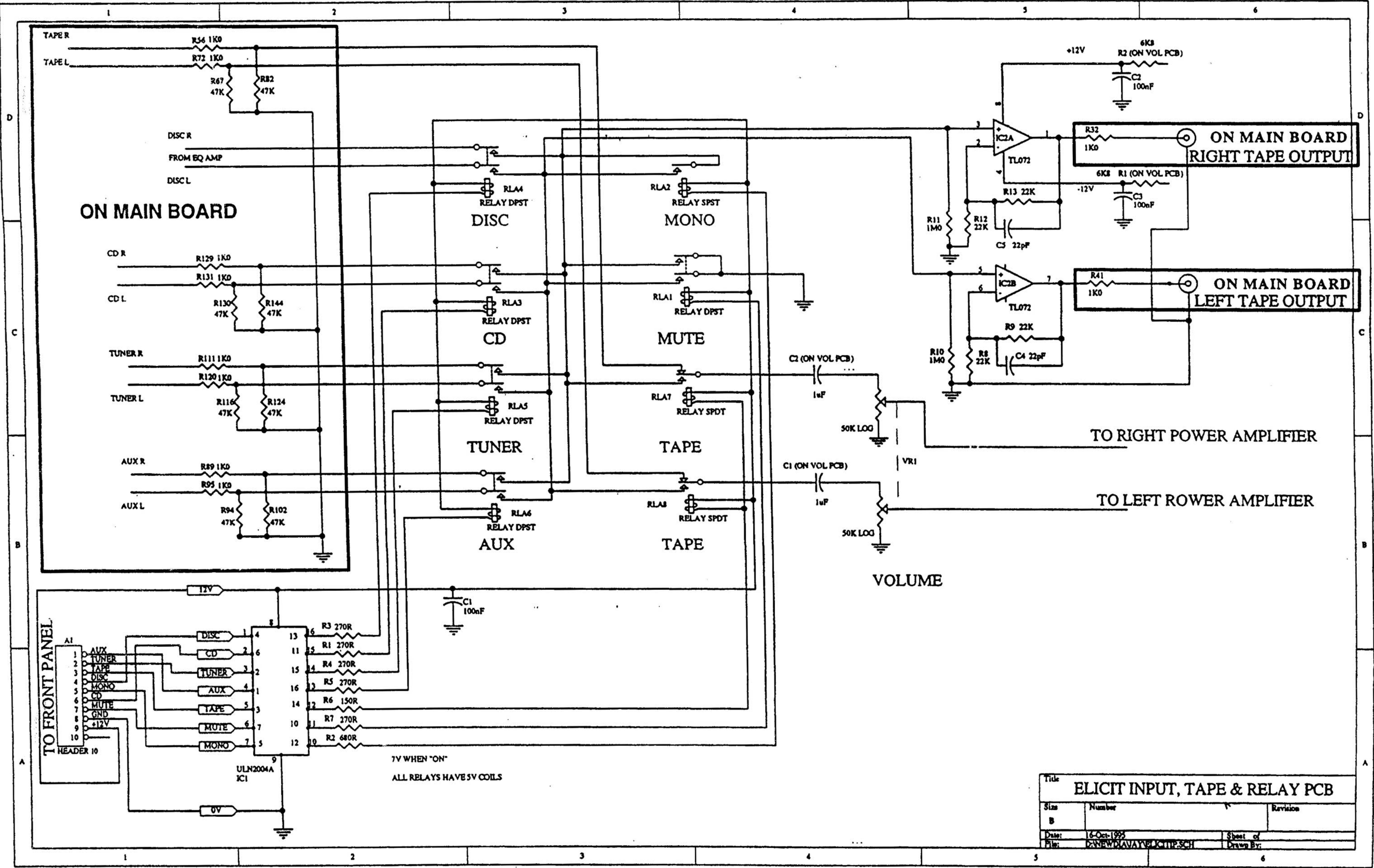


Title DC PROTECTION FOR ELEX AND ELICIT		
Size A4	Number	Revision
Date: 16-Oct-1995	Sheet of	
File: D:\NEWDLAVAYDCPROTEC.SCH	Drawn By:	

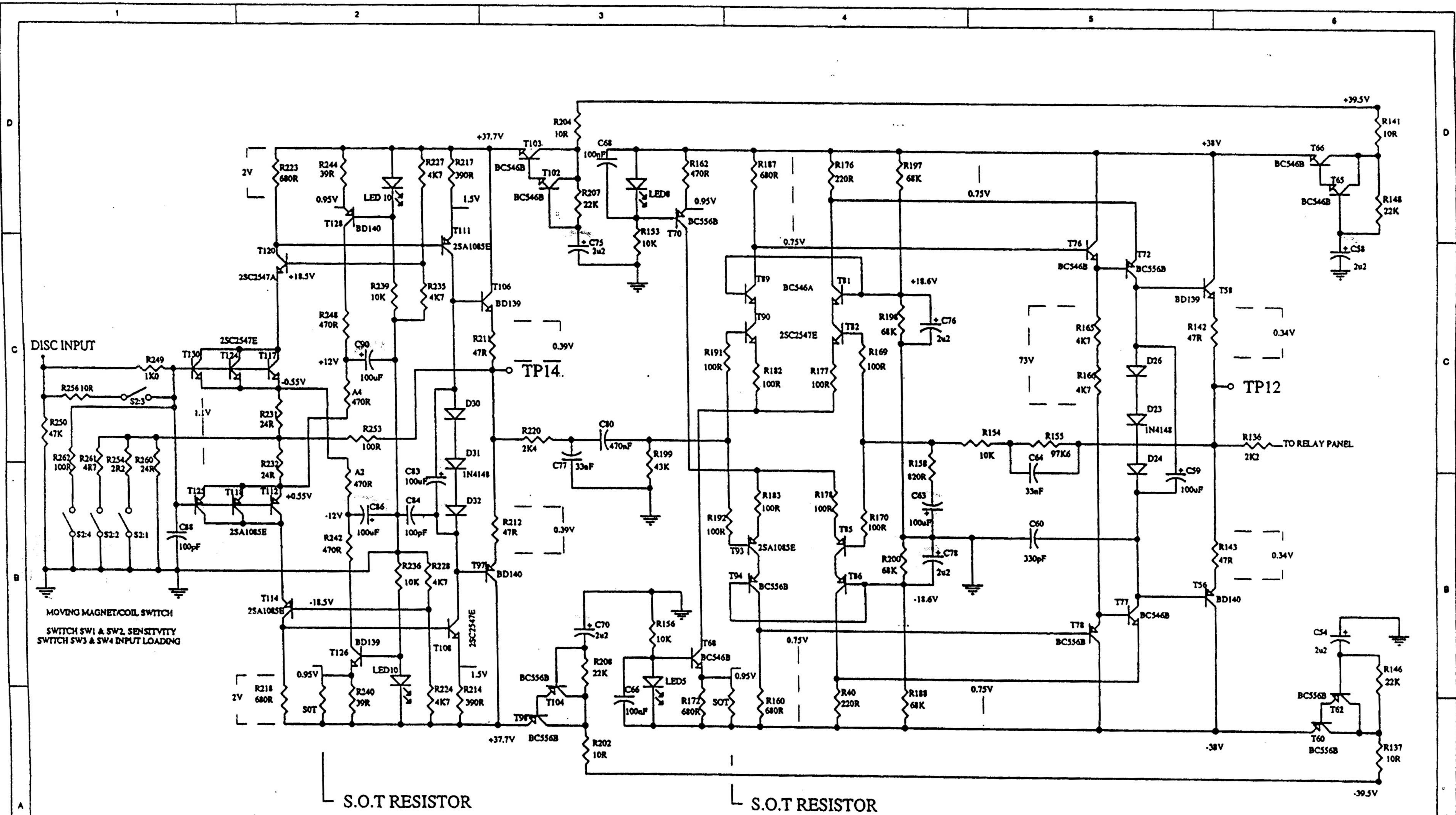




Title		
ELICIT FRONT PANEL		
Sheet	Number	Revision
A3		
Date:	16-Oct-1993	Sheet of
File:	PAVEW/D/AVAY/ELICIT/FP.SCH	Drawn By:



Title		
ELICIT INPUT, TAPE & RELAY PCB		
Size	Number	Revision
B		
Date:	16-Oct-1995	Sheet of
File:	C:\NEWDAVA\ELICIT.PSCH	Drawn By:



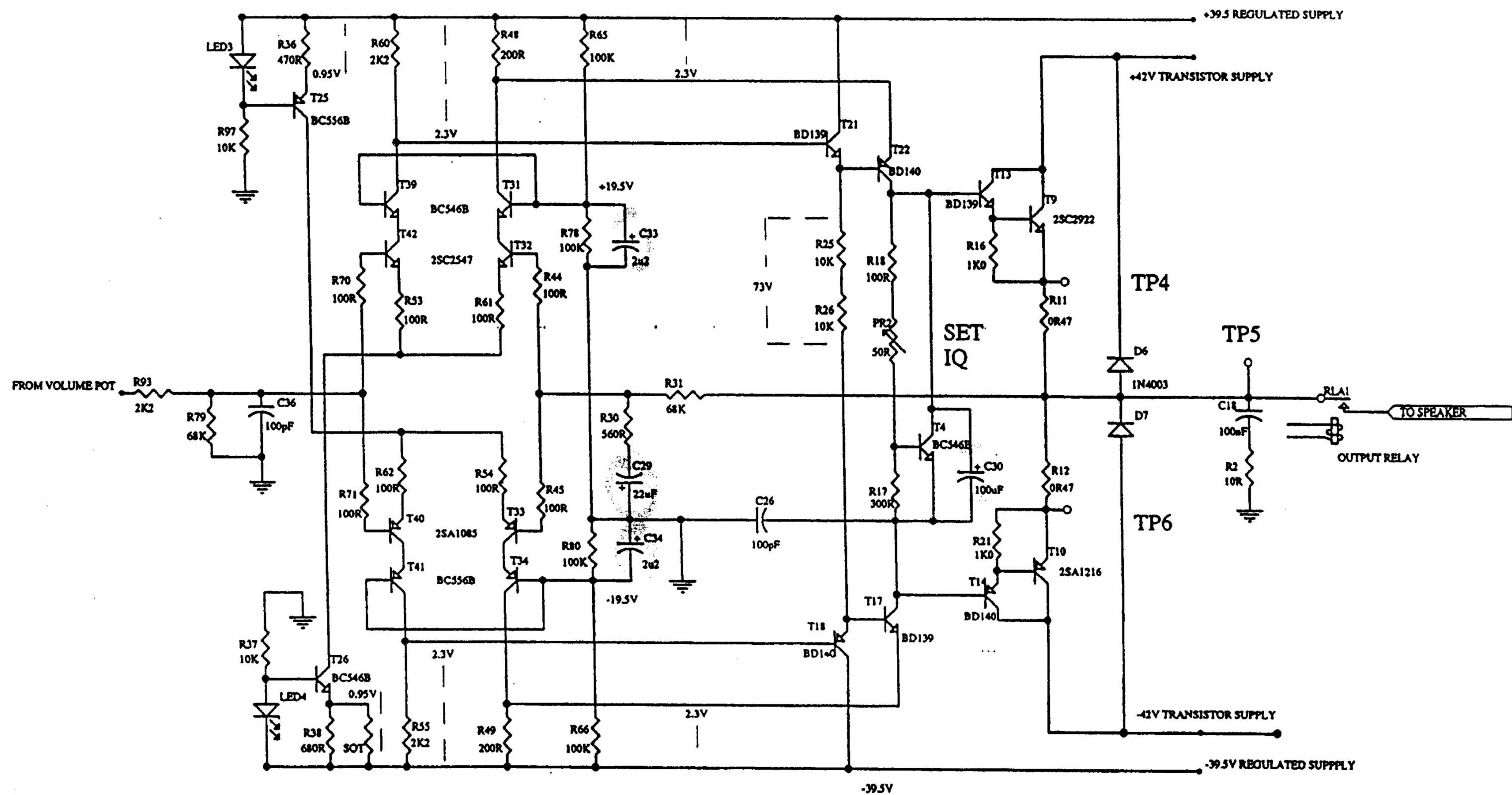
DISC INPUT

MOVING MAGNET/COIL SWITCH
 SWITCH SW1 & SW2, SENSITIVITY
 SWITCH SW3 & SW4 INPUT LOADING

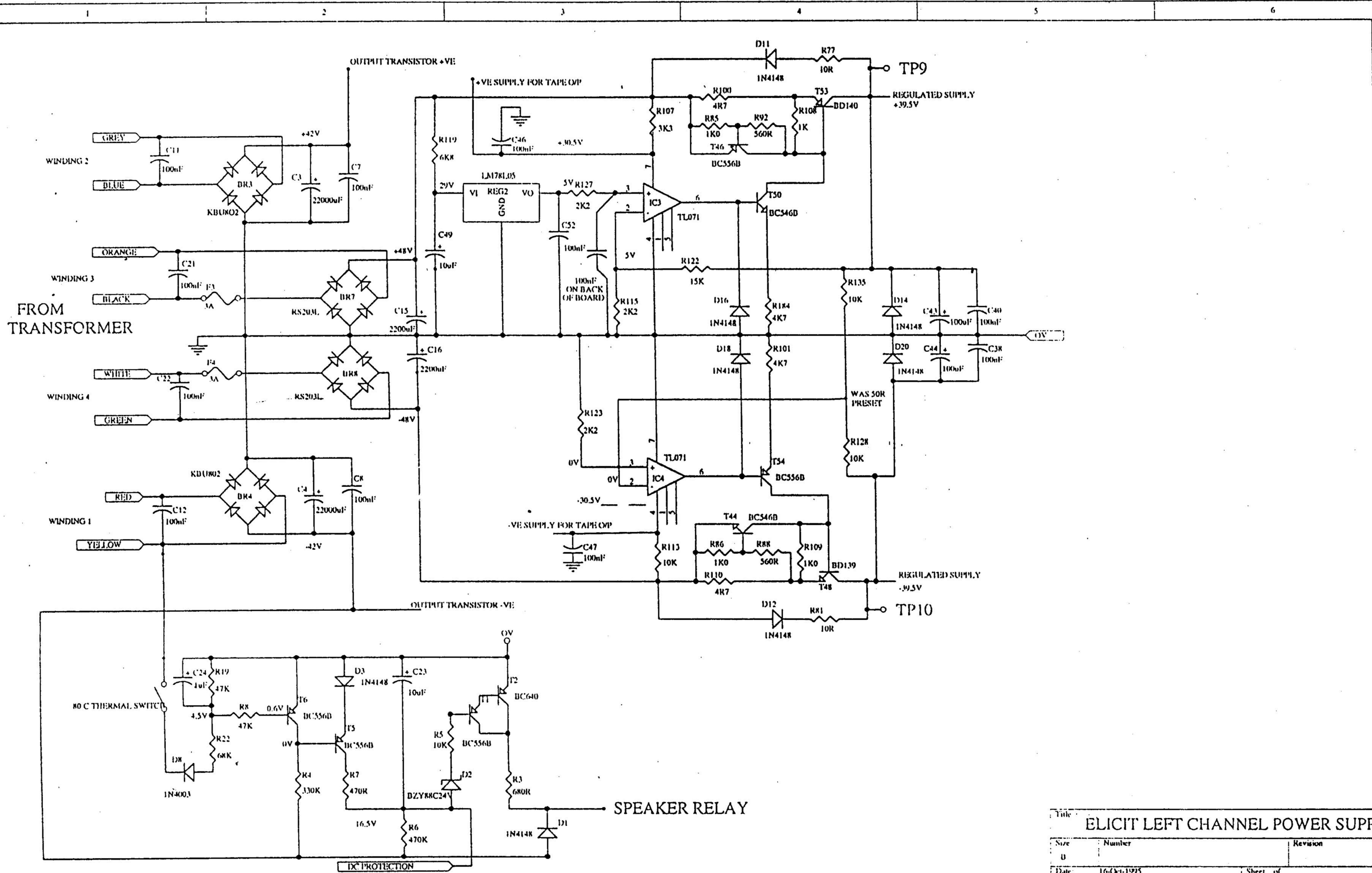
S.O.T RESISTOR

S.O.T RESISTOR

Title		
ELICIT LEFT CHANNEL DISC INPUT		
Size	Number	Revision
B		
Date:	16-Oct-1985	Sheet of
File:	D:\NEW\OIA\AV\ELITDILE.SCH	Drawn By:

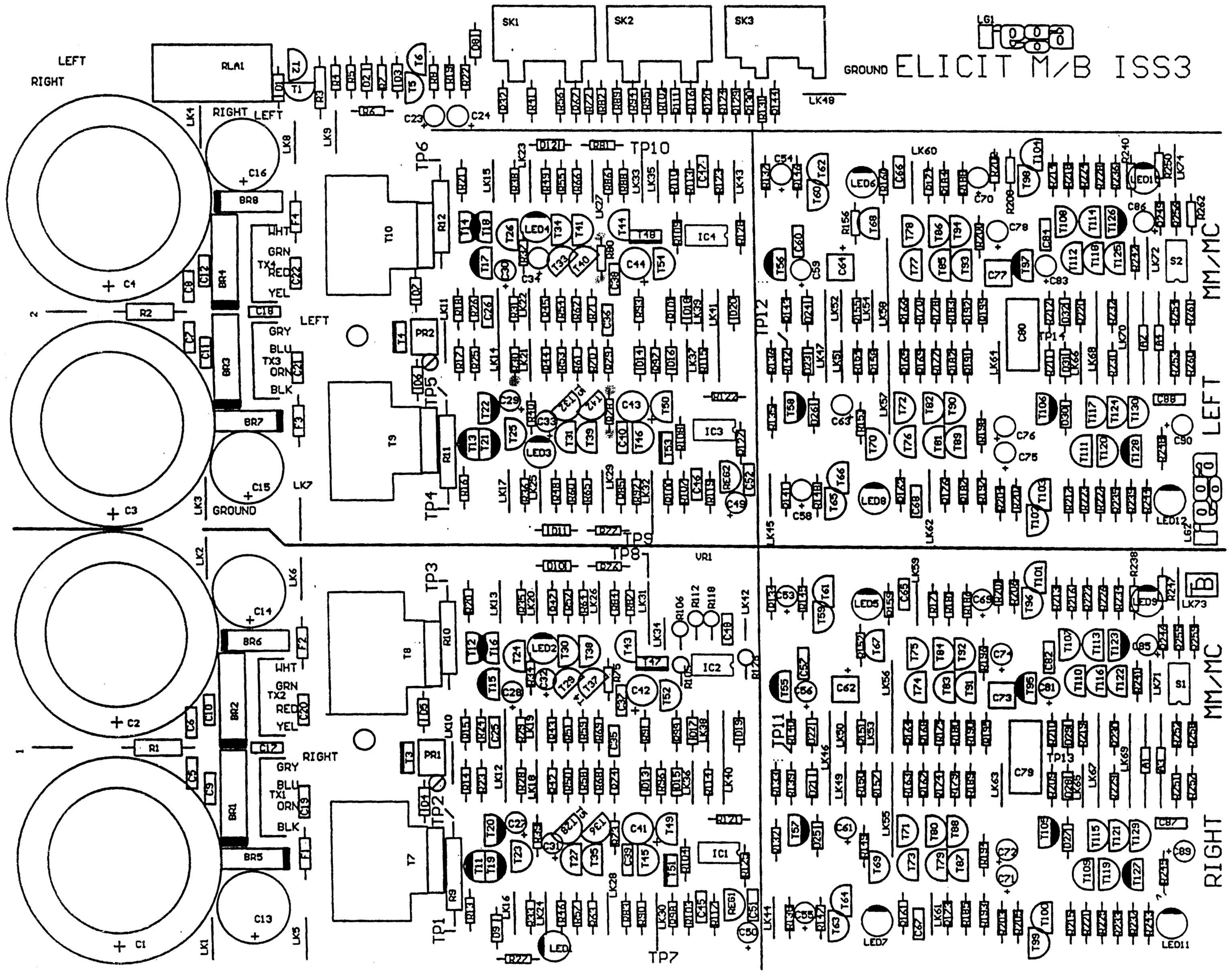


Title		
ELICIT LEFT CHANNEL POWER AMP		
Size	Number	Revision
B		
Date:	16-Oct-1993	Sheet of
File:	D:\NEW\AVAYEL\T\PALESCH	Drawn By:



Title: ELICIT LEFT CHANNEL POWER SUPPLY		
Size: D	Number:	Revision:
Date: 16-Oct-1995	Sheet: 1 of 1	Drawn By:
File: D:\WORLD\AV\ELICIT\PS1.SCH		

GROUND ELICIT M/B ISS3

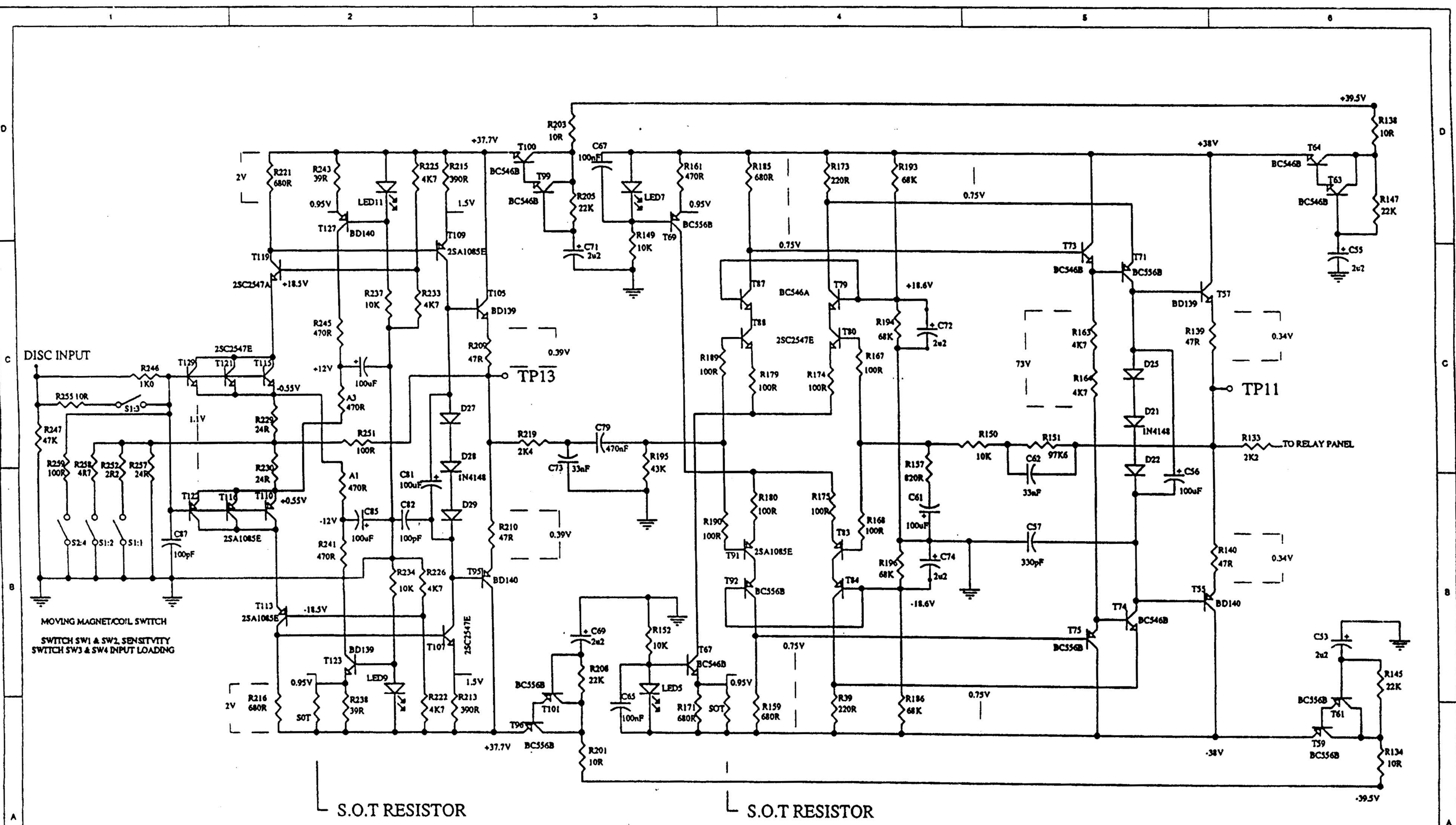


MM/MC

LEFT

MM/MC

RIGHT



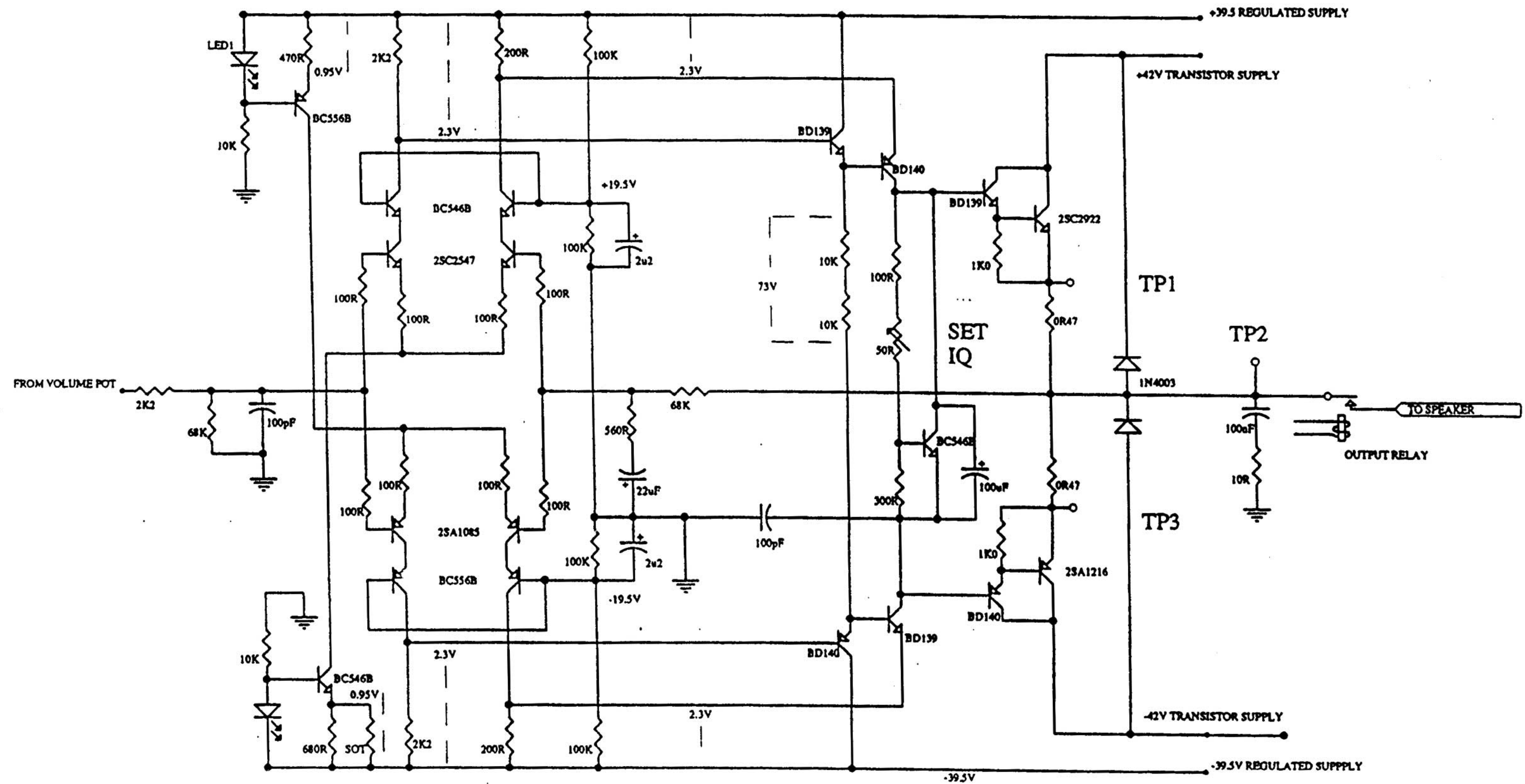
DISC INPUT

MOVING MAGNET/COIL SWITCH
 SWITCH SW1 & SW2, SENSITIVITY
 SWITCH SW3 & SW4 INPUT LOADING

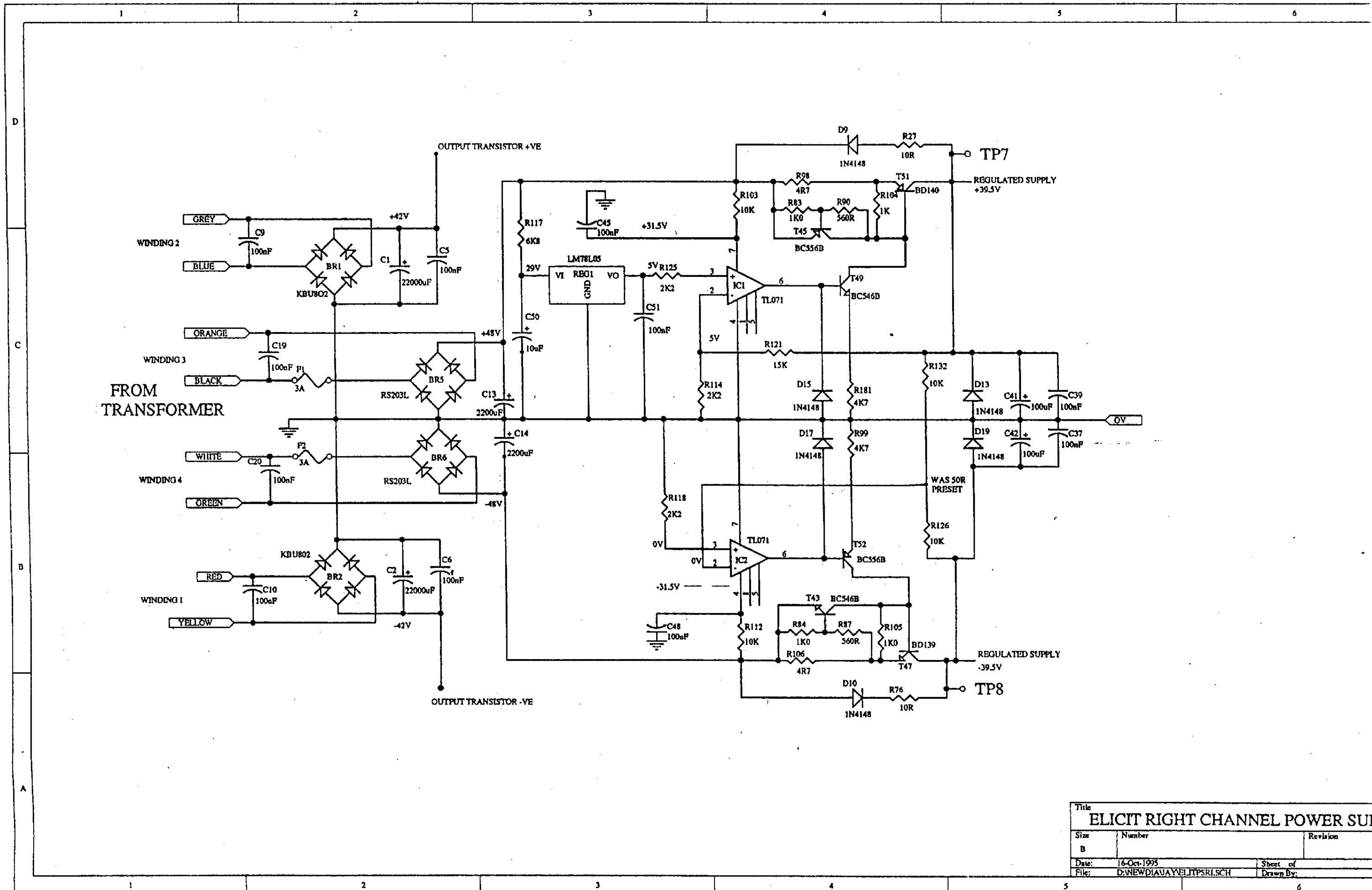
S.O.T RESISTOR

S.O.T RESISTOR

Title ELICIT RIGHT CHANNEL DISC INPUT		
Size B	Number	Revision
Date: 16-Oct-1998	Sheet of	
File: D:\NEW\DIAG\VELI\DIRL.SCH	Drawn By:	



Title		
ELICIT RIGHT CHANNEL POWER AMP		
Size	Number	Revision
B		
Date:	16-Oct-1993	Sheet of
File:	D:\NEWDIAYAW\ELITPARLSCH	Drawn By:



Title		
ELICIT RIGHT CHANNEL POWER SUI		
Size	Number	Revision
B		
Date:	16-Oct-1995	Sheet of
File:	D:\NEWDIR\AV\ELITPSRI.SCH	Drawn By: