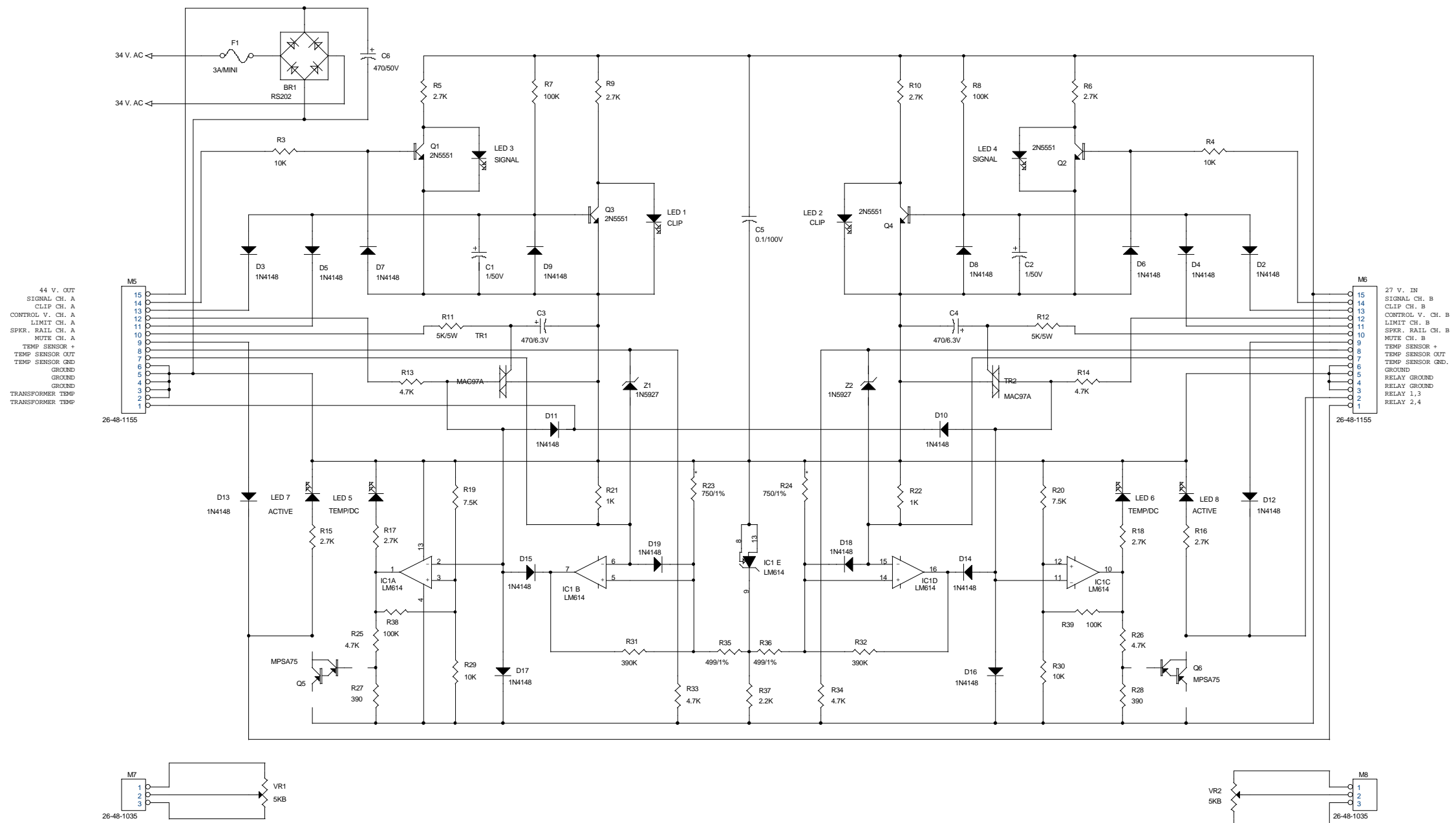


NOTE: Q30, Q31, NOT USED ON MODELS 4801, CC151
 R98, R99 ARE 39K ON MODEL CV601

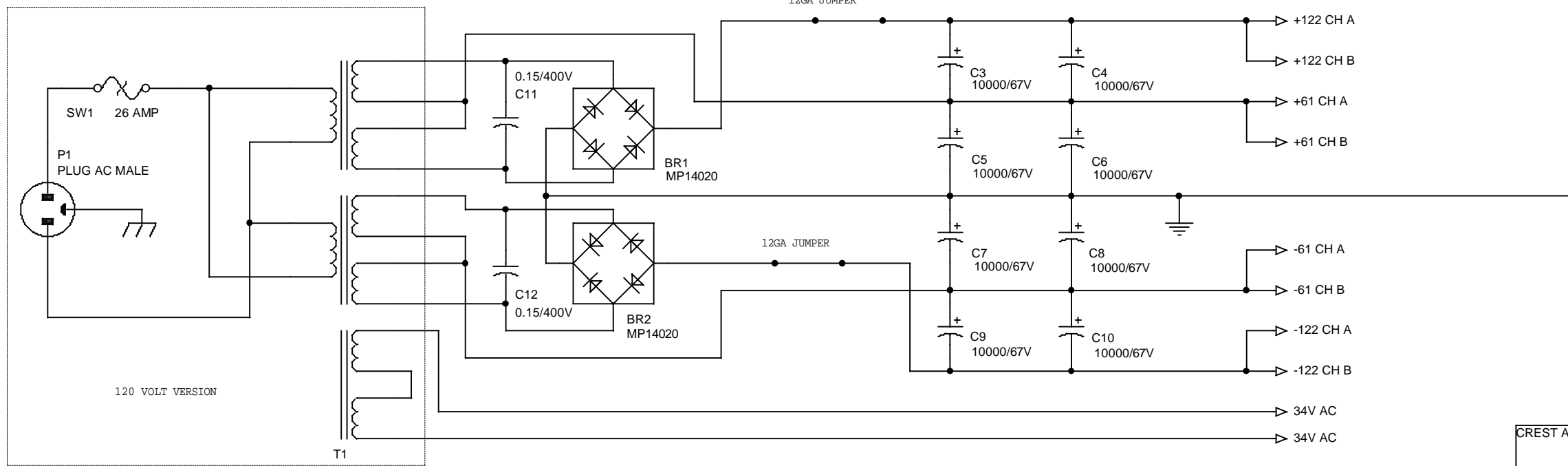
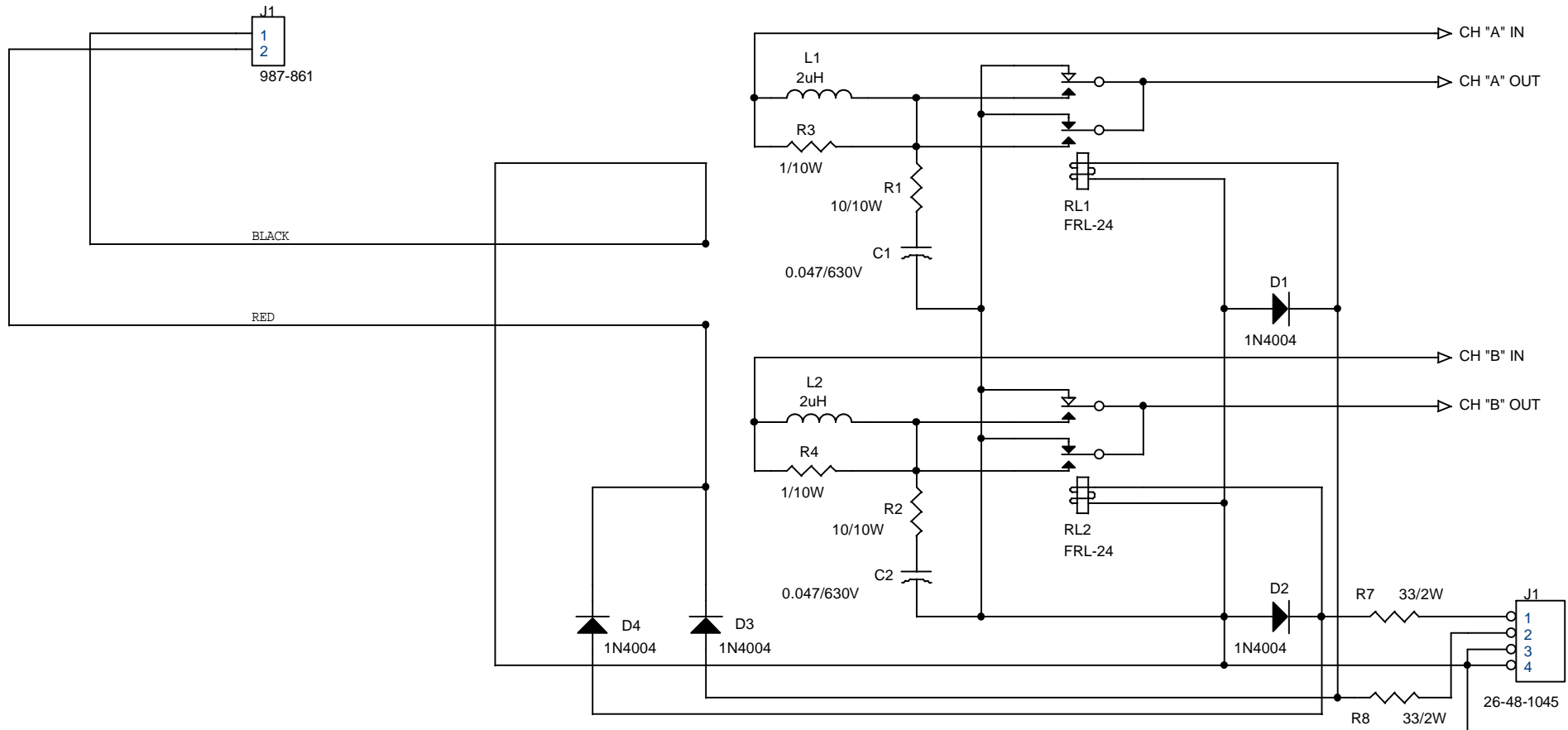


44 V. OUT
 SIGNAL CH. A
 CLIP CH. A
 CONTROL V. CH. A
 LIMIT CH. A
 SPKR. RAIL CH. A
 MUTE CH. A
 TEMP SENSOR +
 TEMP SENSOR GND
 GROUND
 GROUND
 GROUND
 TRANSFORMER TEMP
 TRANSFORMER TEMP

27 V. IN
 SIGNAL CH. B
 CLIP CH. B
 CONTROL V. CH. B
 LIMIT CH. B
 SPKR. RAIL CH. B
 MUTE CH. B
 TEMP SENSOR +
 TEMP SENSOR GND
 TEMP SENSOR GND
 GROUND
 RELAY GROUND
 RELAY GROUND
 RELAY 1,3
 RELAY 2,4

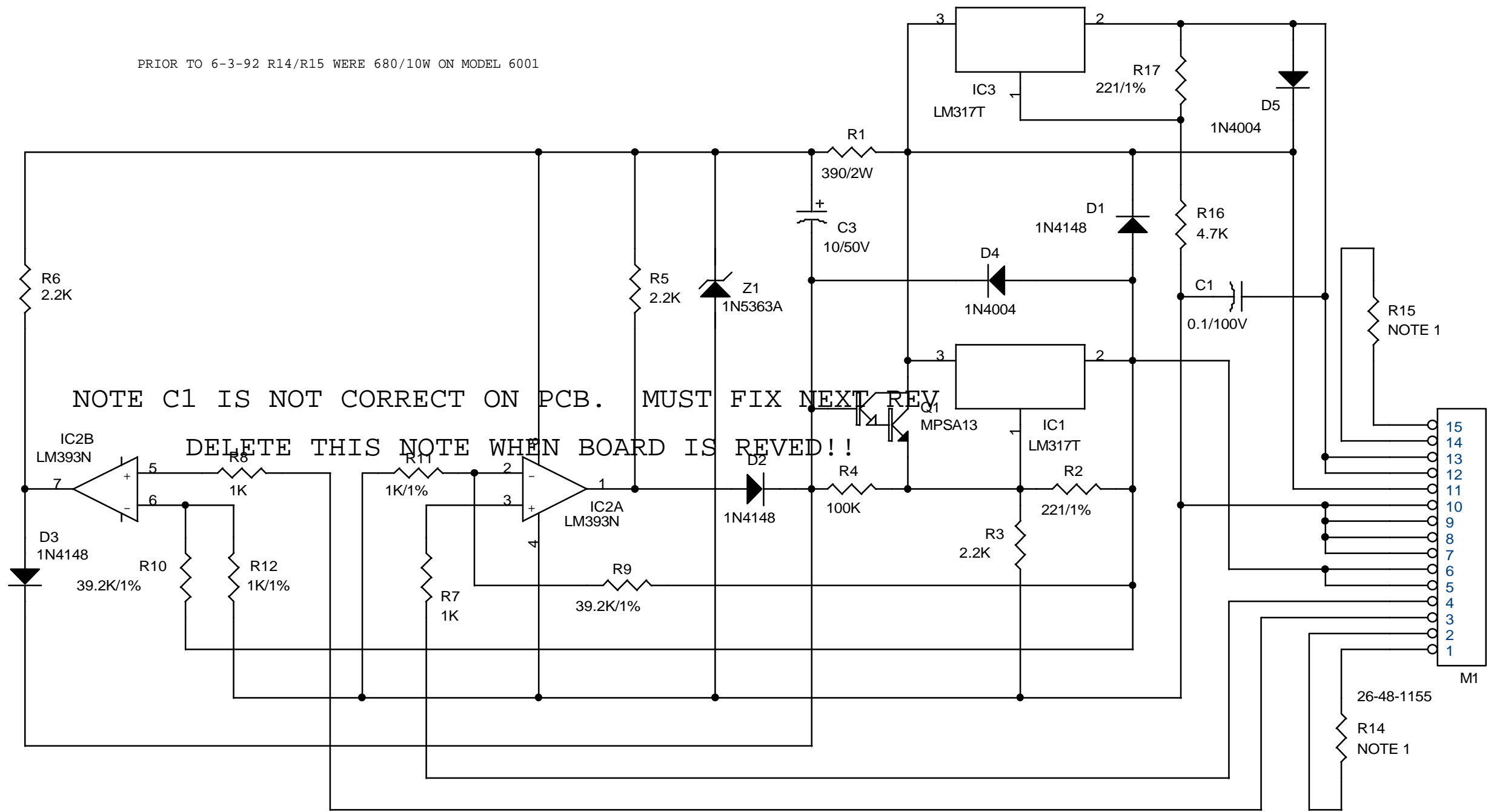
* NOTE
 ON 7001 R23, R24 WILL CHANGE TO 1K/1/8 WITH UL APPROVAL.

WIRE HARNESS TO SURGE PCB



CREST AUDIO INC.		
150 Florence Ave. Hawthorne, NJ 07506		
Title 6001/7001 POWER SUPPLY/RELAY PCB		
Size B	Document Number 21B0927-01.REV	Rev 01
Date: Wednesday, May 17, 2000	Sheet 1	of 1

PRIOR TO 6-3-92 R14/R15 WERE 680/10W ON MODEL 6001



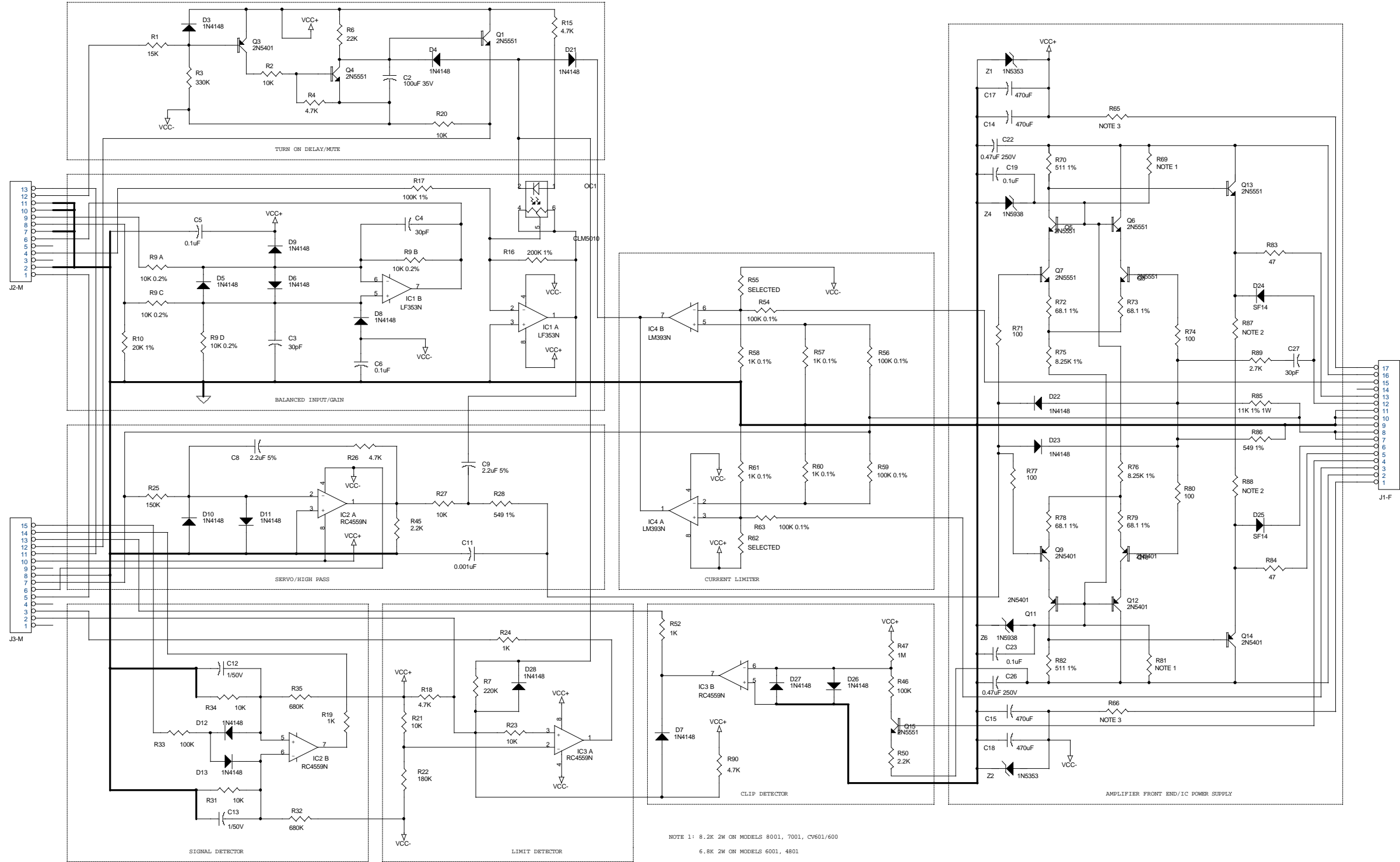
NOTE C1 IS NOT CORRECT ON PCB. MUST FIX NEXT REV.
 DELETE THIS NOTE WHEN BOARD IS REVED!!

NOTE 1: 680/10W ON 7001
 620/10W ON 6001
 1K/10W ON 3301
 1.1K/10W ON 4601

CREST AUDIO INC.
 150 Florence Ave.
 Hawthorne, NJ 07506
 Title: 7001/6001/4601/3301 FAN DRIVER

Size	Document Number	Rev
A	21A0952	

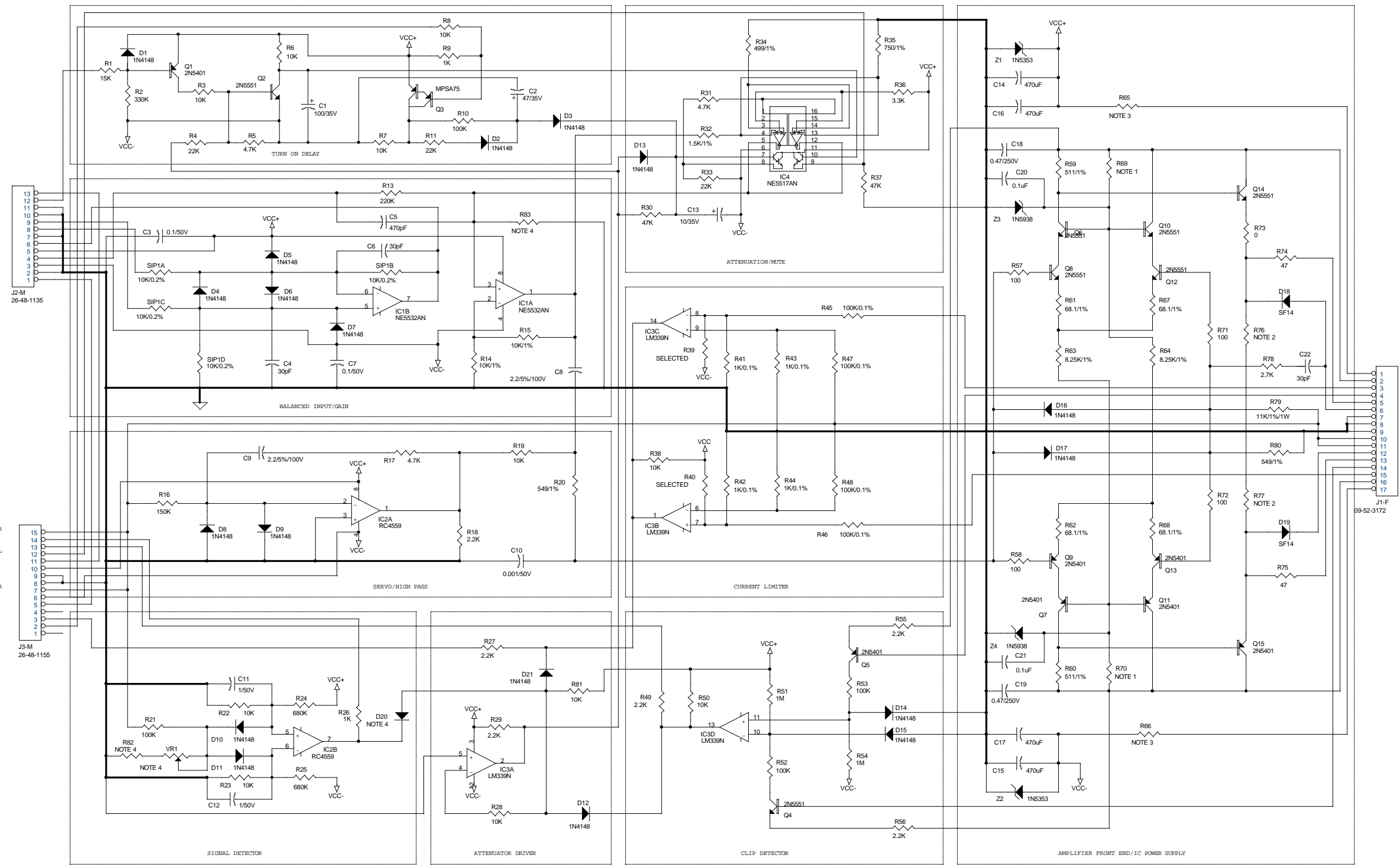
Date: Wednesday, May 17, 2000 Sheet 1 of 1



NOTE 1: 8.2K 2W ON MODELS 8001, 7001, CV601/600
 6.8K 2W ON MODELS 6001, 4801
 5.6K 2W ON MODELS CC301/300
 3.3K 2W ON MODELS CV301/300, CC151/150

NOTE 2: 27K 2W ON MODELS 8001, 7001, CC601/600
 20K 2W ON MODELS 6001, 4801, CC301/300
 15K 2W ON MODELS CV301/300, CC151/150

NOTE 3: 1K 10W ON MODELS CC151/150, CV301/300
 820 10W ON ALL OTHER MODELS



NOTE 1: 8.2K 2W ON MODELS 8001, 7001, CV601
 6.8K 2W ON MODELS 6001, 4801
 4.3K 2W ON MODEL 4601
 5.6K 2W ON MODELS CC301/300
 3.3K 2W ON MODELS CV301, CC151, 3301
 NOTE 2: 27K 2W ON MODELS 8001, 7001, CV601
 20K 2W ON MODELS 6001, 4801, CC301
 16K 2W ON MODEL 4601
 15K 2W ON MODELS CV301, CC151, 3301

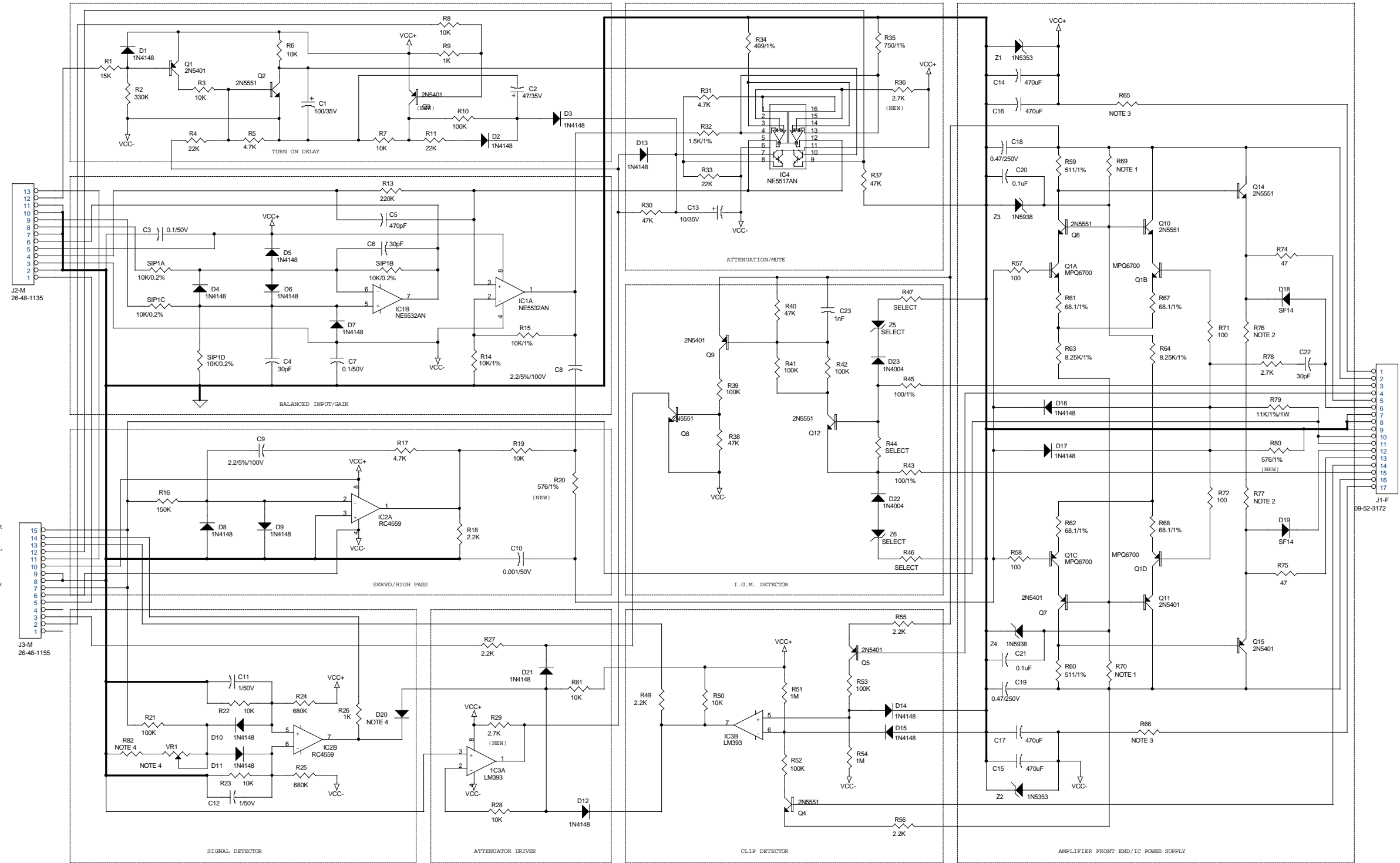
NOTE 3: 750 10W ON MODELS 8001, CV601
 680 10W ON MODEL 7001
 620 10W ON MODEL 6001
 560 10W ON MODELS 4801, MA5850
 1.1K 10W ON MODEL 4601
 560 10W ON MODELS CC301
 1K 10W ON MODELS CV301, 3301
 360 10W ON MODEL CC151

NOTE 4: R82, R83, D20, VR1 ARE USED ON MODEL MA5850 ONLY
 NOTE 5: PRIOR TO 6-2-92 R65, R66 WERE 1K/10W ON MODEL CC151

1.1K 10W ON MODEL 4601
 560 10W ON MODELS CC301
 1K 10W ON MODELS CV301, CC151, 3301
 NOTE 4: R82, R83, D20, VR1 ARE USED ON MODEL MA5850 ONLY

REV NOTES 7/15/93
 (1) DELETE R12

CREST AUDIO INC.		
150 Florence Ave. Hawthorne, NJ 07506		
Title: PRO-LINE PREAMP/FRONT END		
Size: C	Document Number: 21C1124-02	Rev: 02
Date: Wednesday, May 17, 2000	Sheet: 1	of 0



NOTE 1: 8.2K 2W ON MODELS 8001, 7001, CV601
 6.8K 2W ON MODELS 6001, 4801
 4.3K 2W ON MODEL 4601
 5.6K 2W ON MODELS CC301/300
 3.3K 2W ON MODELS CV301, CC151, 3301
 NOTE 2: 27K 2W ON MODELS 8001, 7001, CV601
 20K 2W ON MODELS 6001, 4801, CC301
 16K 2W ON MODEL 4601
 15K 2W ON MODELS CV301, CC151, 3301

NOTE 3: 750 10W ON MODELS 8001, CV601
 680 10W ON MODEL 7001
 620 10W ON MODEL 6001
 560 10W ON MODELS 4801, MA5850
 1.1K 10W ON MODEL 4601
 560 10W ON MODELS CC301
 1K 10W ON MODELS CV301, 3301
 360 10W ON MODEL CC151

NOTE 4: R82, D20, VR1 ARE USED ON MODEL MA5850 ONLY
 NOTE 5: PRIOR TO 6-2-92 R65, R66 WERE 1K/10W ON MODEL CC151

1.1K 10W ON MODEL 4601
 560 10W ON MODELS CC301
 1K 10W ON MODELS CV301, CC151, 3301
 NOTE 4: R82, R83, D20, VR1 ARE USED ON MODEL MA5850 ONLY

REV NOTES 7/15/93
 (1) DELETE R12

CREST AUDIO INC.		
150 Florence Ave. Hawthorne, NJ 07506		
Title PRO-LINE PREAMP/FRONT END		
Size C	Document Number 21C1124-02	Rev 02
Date: Wednesday, May 17, 2000	Sheet 1	of 1