

6

5

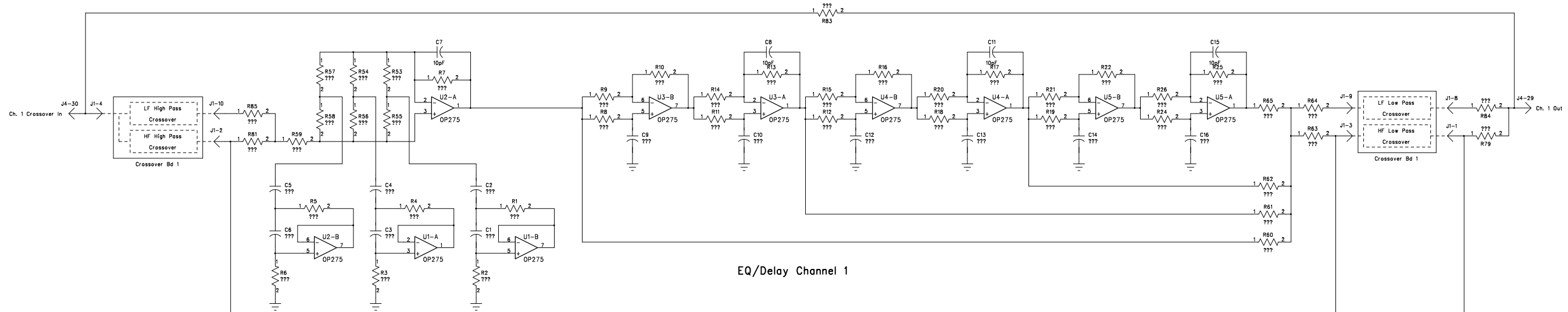
4

3

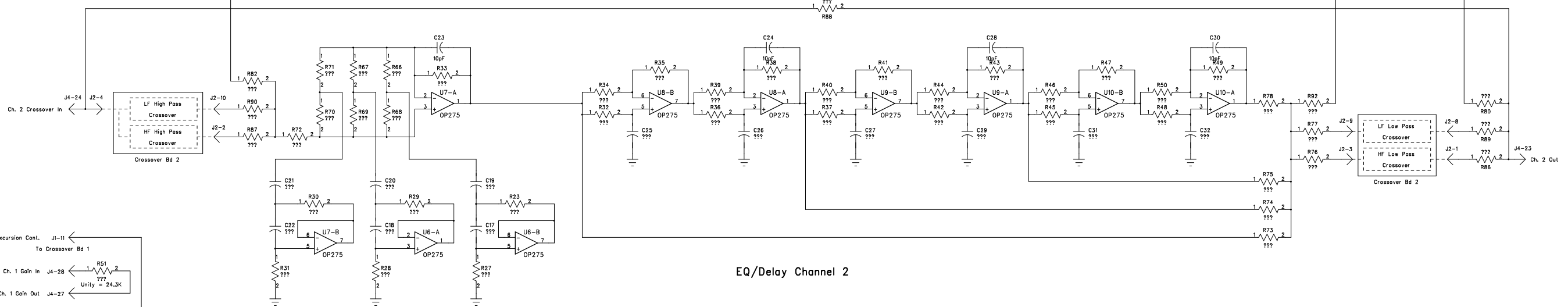
2

1

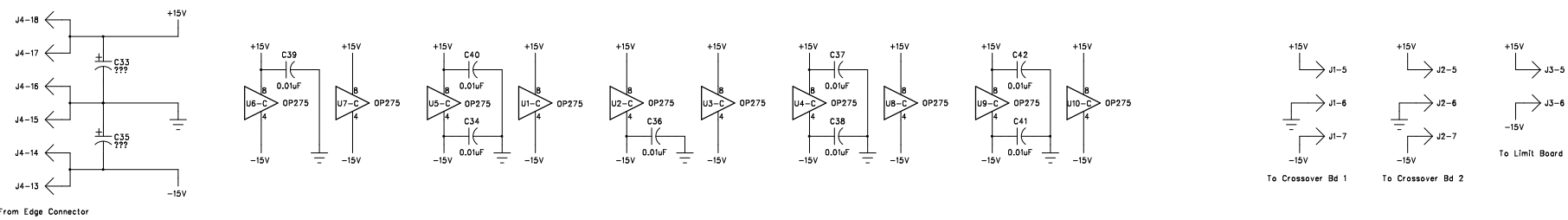
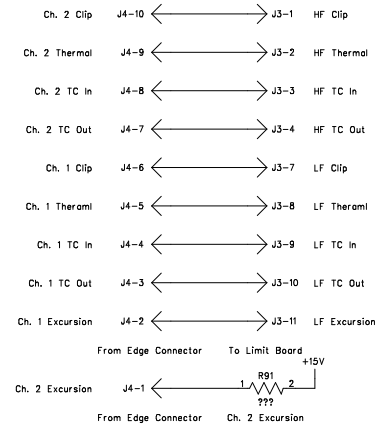
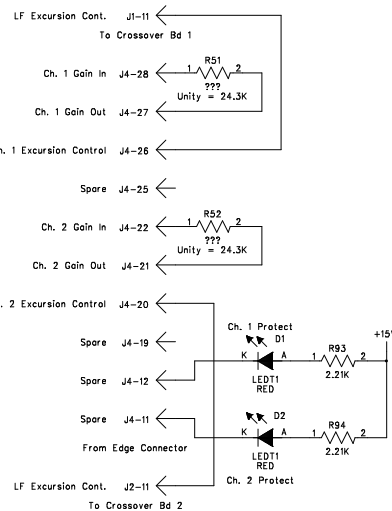
REVISION RECORD			
LTR	ECO NO:	APPROVED:	DATE:



EQ/Delay Channel 1



EQ/Delay Channel 2



COMPANY:			
TITLE: Renkus Heinz Inc. P2900 Amplifier EQ Board			
DRAWN:	DATED:	CODE:	SIZE:
CHECKED:	DATED:	DRAWING NO:	REV:
QUALITY CONTROL:	DATED:	B	
RELEASED:	DATED:	SCALE:	SHEET: OF