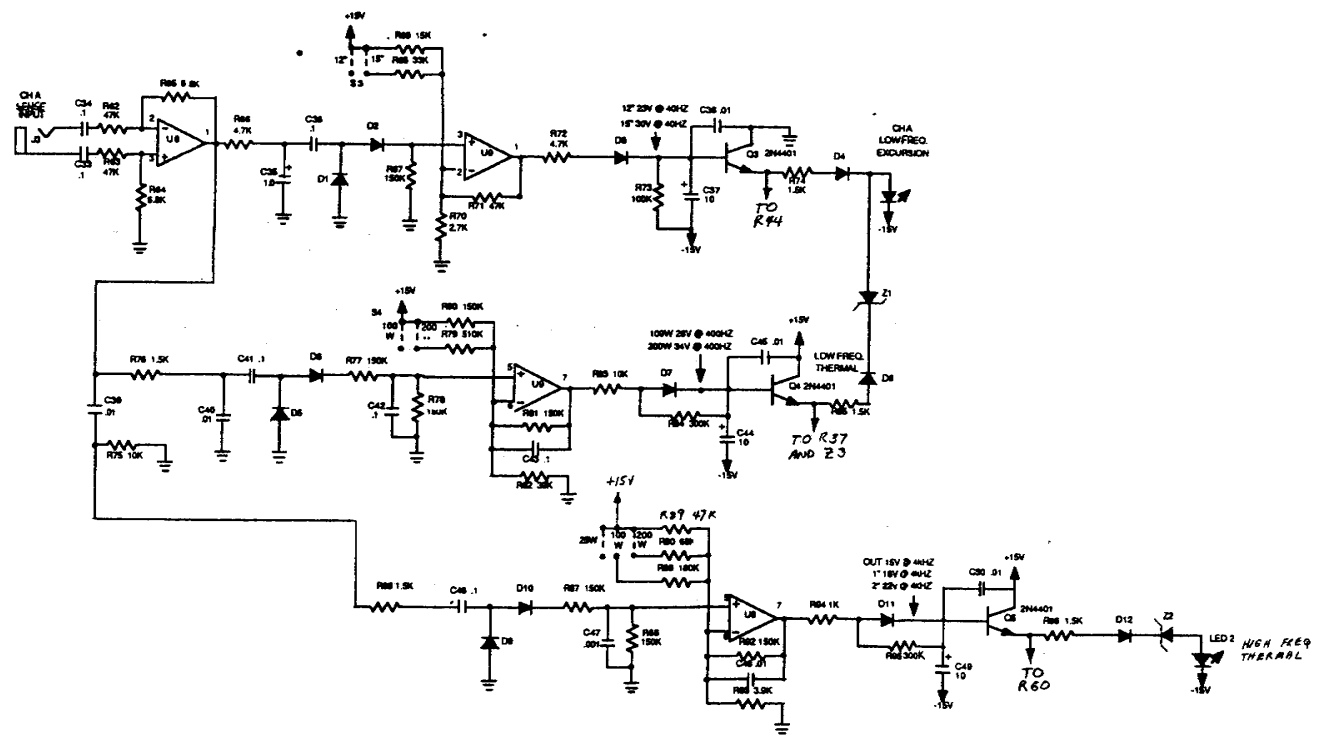
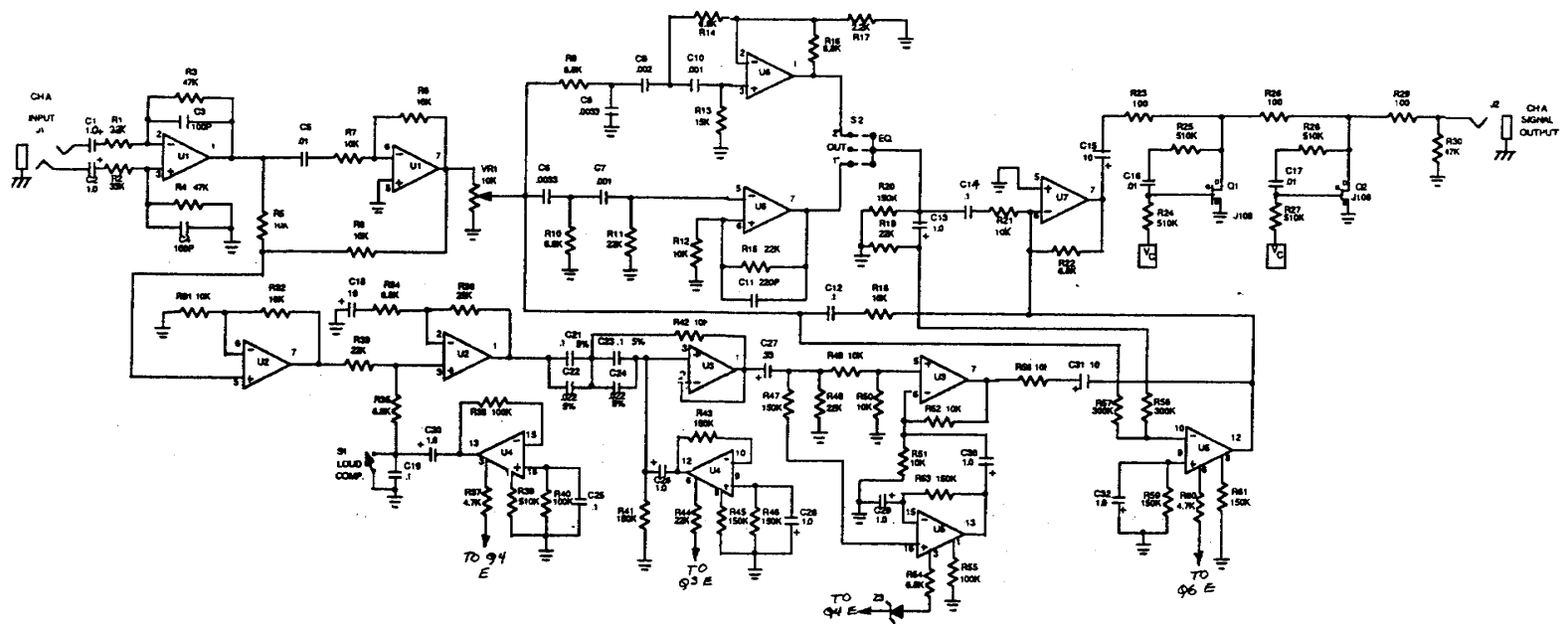
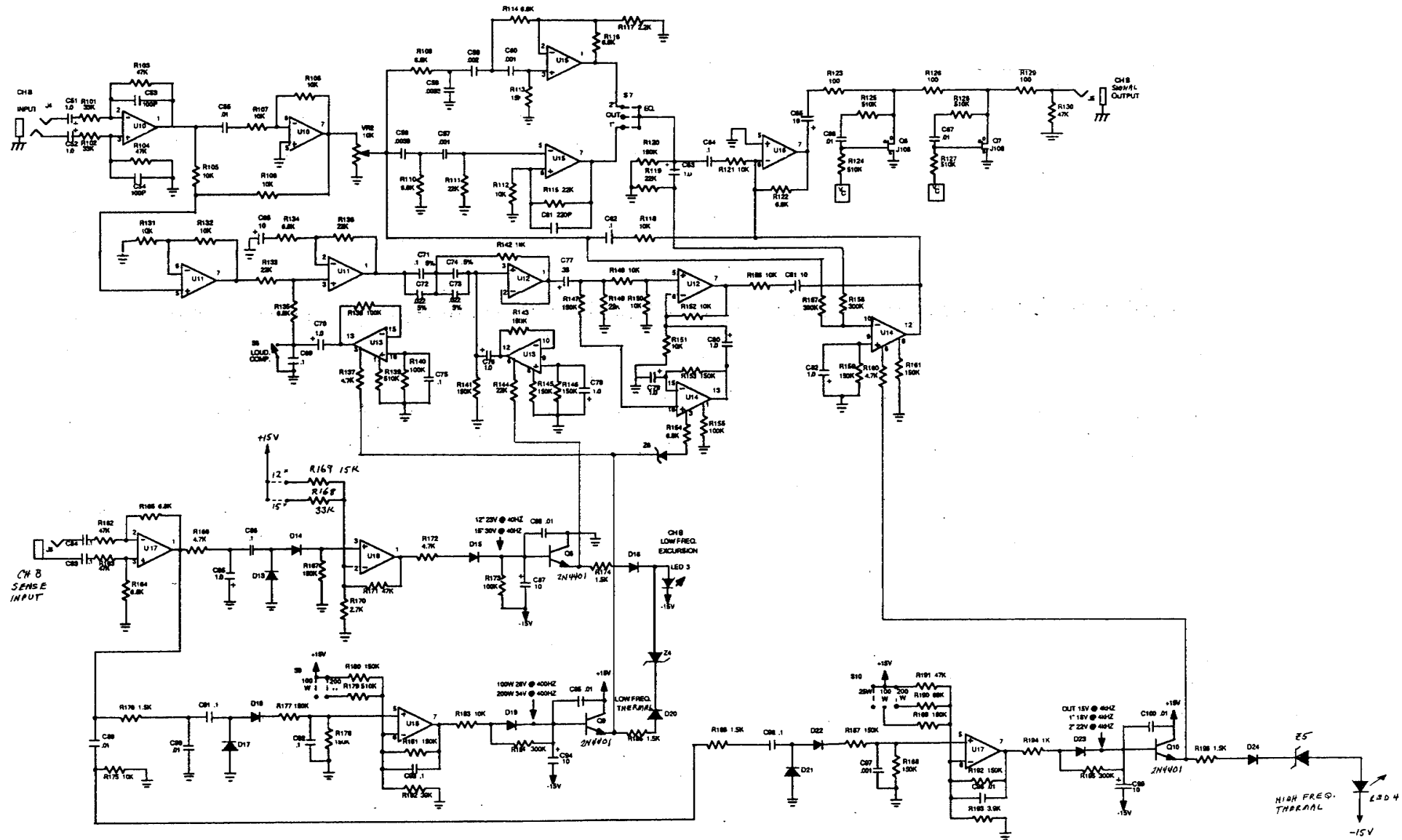


REVISIONS			
REV	DESCRIPTION	DATE	APPROVED
1	RECORDED FROM SCHEMATIC, APPROVED 9/11/90		
	TO PARTIAL AND COLLECTED		



RENCUS-HEINZ SCHEMATIC, RH 2	
APPROVALS	DATE
SCALE	SIZE DRAWING NO.
	D
DO NOT SCALE DRAWING	

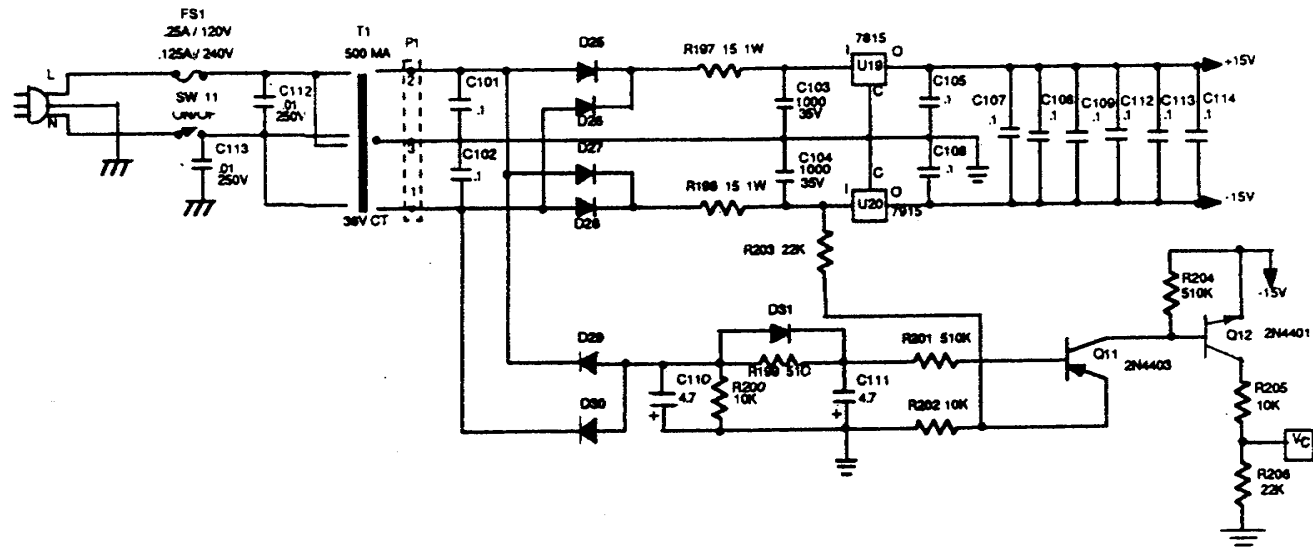
REVISIONS			
NO.	DESCRIPTION	DATE	APPROVED
1	DESIGNED FROM COMPUTER, FINISHED TOGETHER AND CALIBRATED	1/11/90	



DESIGNED BY	REVISIONS	DATE	APPROVED
APPROVED BY	REVISIONS	DATE	APPROVED
APPROVALS	DATE	SCALE	DRAWING NO.
REVISIONS	DATE	SCALE	D
DO NOT SCALE DRAWING		SHEET 2	

RENKUS-HEINZ
SCHEMATIC, RH 2

REVISIONS			
NO.	DESCRIPTION	DATE	APPROVED
1	REWORKED FROM SCHEMATIC, APPROVED 9/11/90		
2	THEORETICAL AND CALCULATED		



APPROVED BY		RENKUS-HEINZ
APPROVED DATE		SCHEMATIC, RH 2
REVISION		
APPROVALS	DATE	
SCALE		SIZE DRAWING NO.
		D
DO NOT SCALE DRAWING		SHEET 3