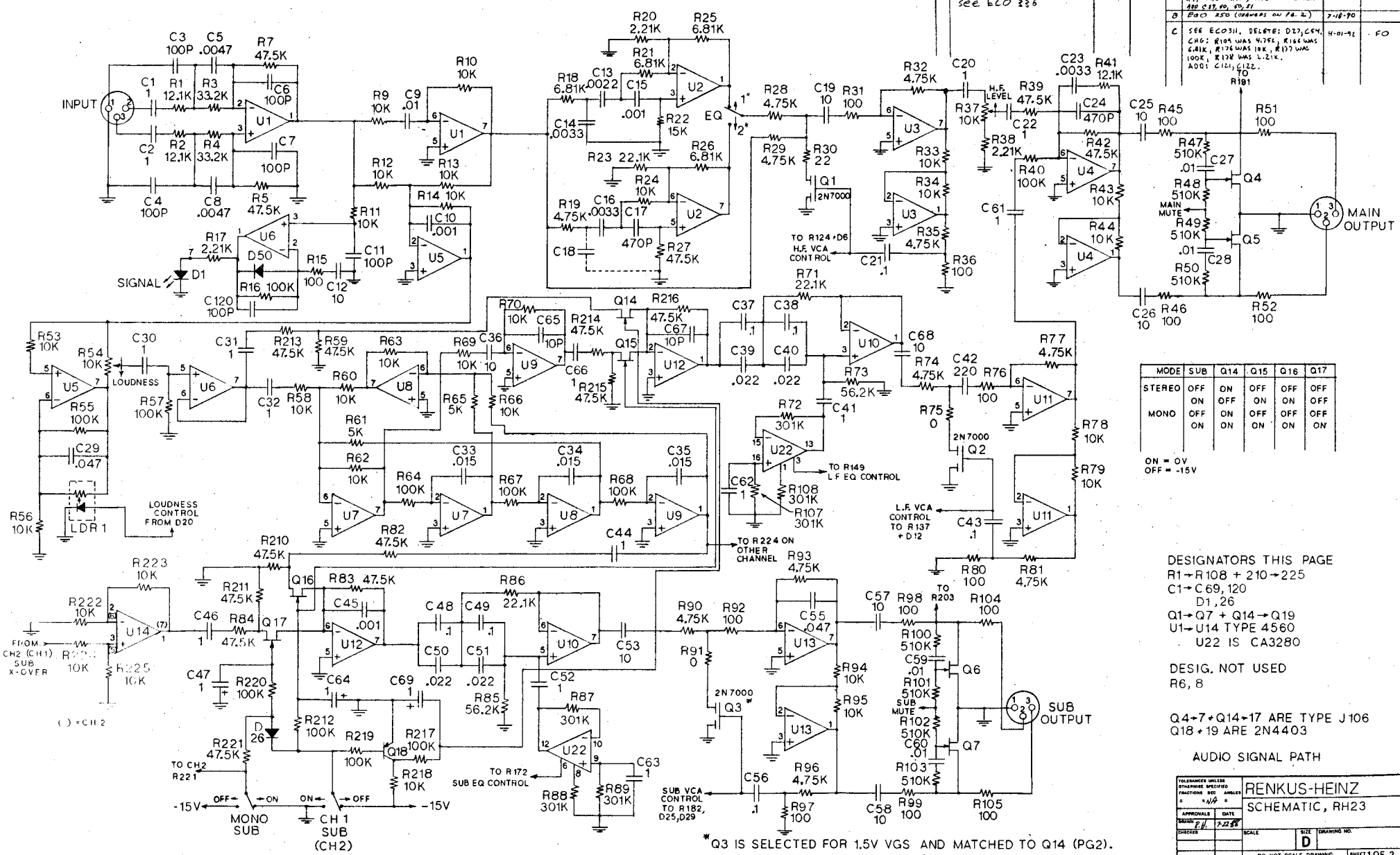


MOVED C20 FROM U3-7 to U3-1
see ECO 336

REVISIONS			
LTN	DESCRIPTION	DATE	APPROVED
A	R96 WAS 33.2K, R97 WAS 33.2K R71 WAS 47.5K, R73 WAS 56.2K R80 C19, 10, 100, 100	7-6-70	R.V.
B	R100 ASD (CONFORMS TO P.A. 2)	7-18-70	
C	SEE ECO311. DELETE: D17, C24, C46; R104 WAS 4.75K, R164 WAS 4.7K, R176 WAS 1.2K, R177 WAS 100K, R178 WAS 1.2K. ADD: C11, C12, C22.	11-01-71	FO



MODE	SUB	Q14	Q15	Q16	Q17
STEREO	OFF	ON	OFF	OFF	OFF
MONO	OFF	ON	OFF	OFF	OFF
	ON	ON	ON	ON	ON

ON = 0V
OFF = -15V

DESIGNATORS THIS PAGE

- R1 → R108 + 210 → 225
- C1 → C69, 120
- D1, 26
- Q1 → Q7 + Q14 → Q19
- U1 → U14 TYPE 4560
- U2 IS CA3280

DESIG. NOT USED
R6, 8

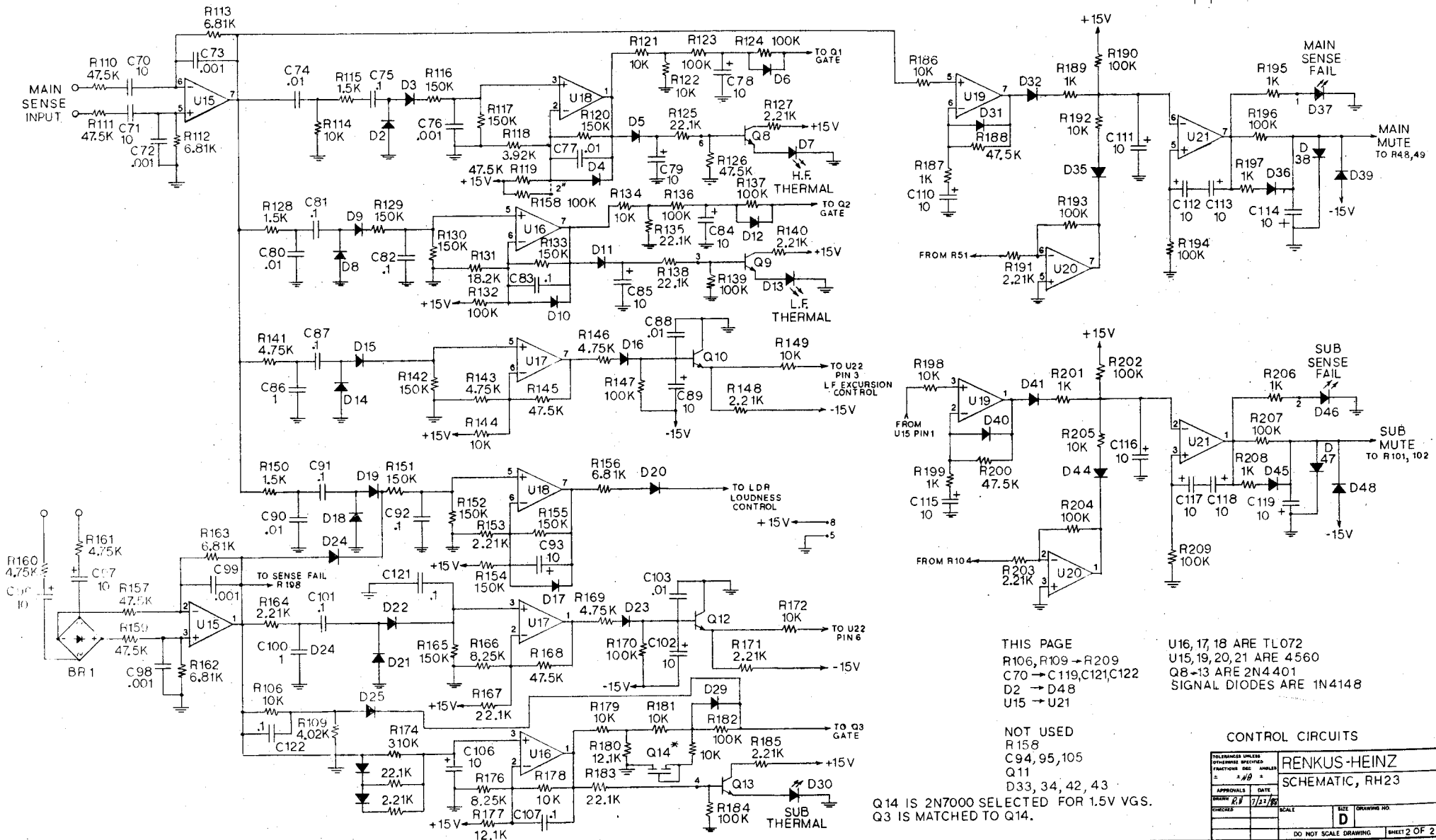
Q4 → 7 + Q14 → 17 ARE TYPE J106
Q18 + 19 ARE 2N4403

AUDIO SIGNAL PATH

TOLERANCES UNLESS OTHERWISE SPECIFIED		RENKUS-HEINZ	
FRACTIONS DECIMALS		SCHEMATIC, RH23	
APPROVALS	DATE	SCALE	DRAWING NO.
CHECKER	DATE	D	
		DO NOT SCALE DRAWING	
		SHEET 1 OF 2	

* Q3 IS SELECTED FOR 1.5V VGS AND MATCHED TO Q14 (PG2).

REVISIONS			
LT#	DESCRIPTION	DATE	APPROVED
A	SEE #1		
B	SEE ACO 250	7-16-70	
C	SEE PG 1	4/01/72	
D	SEE PG 1	8-3-72	



THIS PAGE
R106, R109 → R209
C70 → C119, C121, C122
D2 → D48
U15 → U21

NOT USED
R158
C94, 95, 105
Q11
D33, 34, 42, 43

Q14 IS 2N7000 SELECTED FOR 1.5V VGS.
Q3 IS MATCHED TO Q14.

U16, 17, 18 ARE TL072
U15, 19, 20, 21 ARE 4560
Q8-13 ARE 2N4401
SIGNAL DIODES ARE 1N4148

CONTROL CIRCUITS			
TOLERANCES UNLESS OTHERWISE SPECIFIED		RENKUS-HEINZ	
FUNCTIONAL SPEC. NUMBER		SCHEMATIC, RH23	
APPROVALS	DATE	SCALE	SIZE
DRAWN BY	DATE		D
CHECKED	DATE		
		DO NOT SCALE DRAWING	SHEET 2 OF 2