

6

5

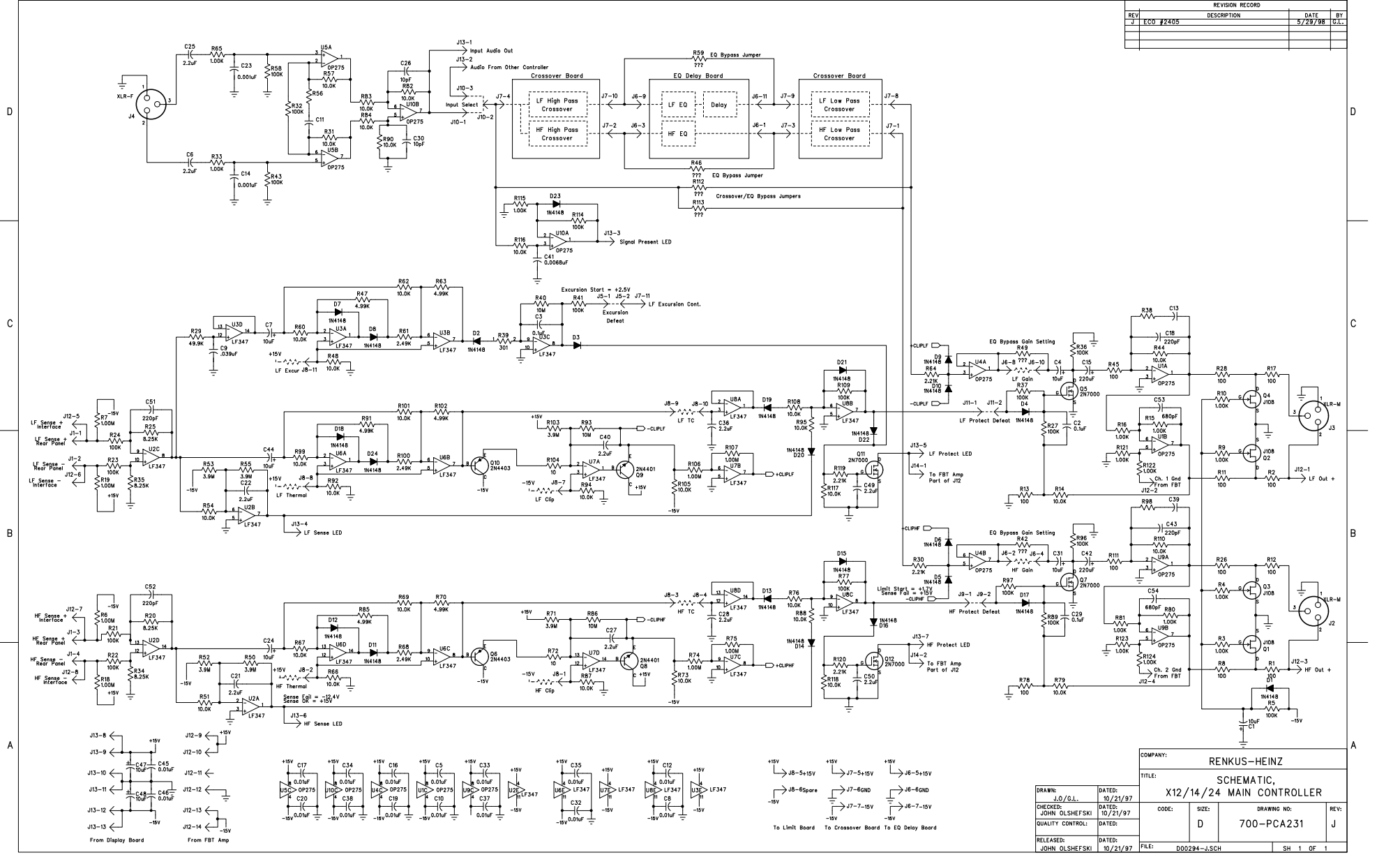
4

3

2

1

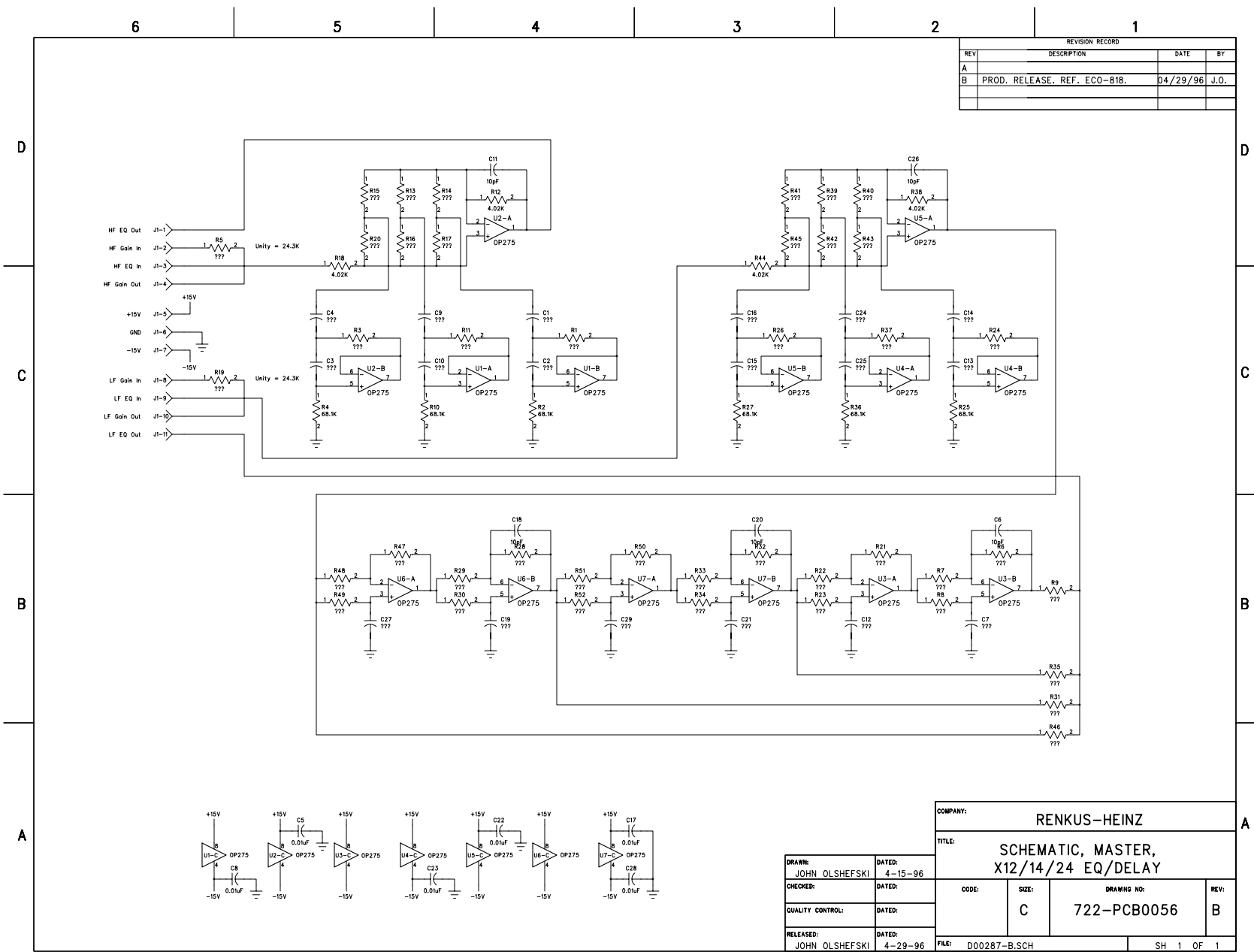
REVISION RECORD			
REV	DESCRIPTION	DATE	BY
1	ECC #2405	5/29/98	G.L.



COMPANY:		RENKUS-HEINZ	
TITLE:			
SCHEMATIC,			
X12/14/24 MAIN CONTROLLER			
DRAWN:	J.G./G.L.	DATE:	10/21/97
CHECKED:	JOHN OLSHEFSKI	DATE:	10/21/97
QUALITY CONTROL:	D	SIZE:	D
RELEASED:	JOHN OLSHEFSKI	DATE:	10/21/97
FAB:		D00294-J.SCH	
DRAWING NO:		700-PCA231	
REV:		J	
SH 1 OF 1			

To Limit Board To Crossover Board To EQ Delay Board

JB-5+15V J7-5+15V J6-5+15V
 JB-5spare J7-6GND J6-6GND
 JB-7-15V J7-7-15V J6-7-15V



COMPANY: RENKUS-HEINZ			
TITLE: SCHEMATIC, MASTER, X12/14/24 EQ/DELAY			
DRAWN: JOHN OLSHEFSKI	DATED: 4-15-96	CODE:	SIZE: C
CHECKED:	DATED:	DRAWING NO: 722-PCB0056	REV: B
QUALITY CONTROL:	DATED:	FILE: D00287-B.SCH	
RELEASED: JOHN OLSHEFSKI	DATED: 4-29-96	SH 1 OF 1	

6

5

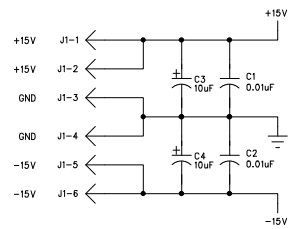
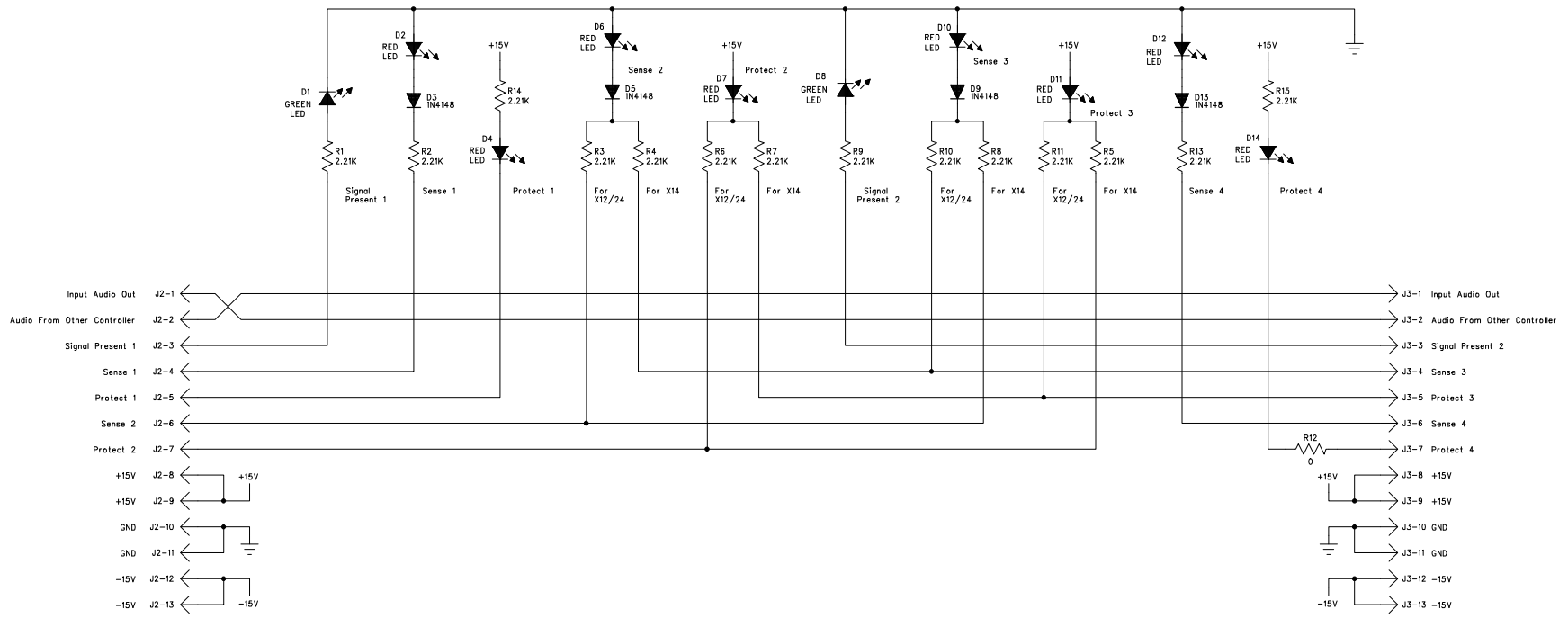
4

3

2

1

REVISION RECORD			
REV	DESCRIPTION	DATE	BY
B	PRODUCTION RELEASE. REF: ECO-822.	05/15/96	T.F.



COMPANY:		RENKUS-HEINZ	
TITLE:		SCHEMATIC, X12/14/24 DISPLAY	
DRAWN:	DATED:	SIZE:	DRAWING NO:
CHECKED:	DATED:	C	700-PCA236 & 700-PCA237
QUALITY CONTROL:	DATED:		
RELEASED:	DATED:	FILE:	D00299-B.SCH
		SH 1 OF 1	

JOHN OLSHEFSKI	

6

5

4

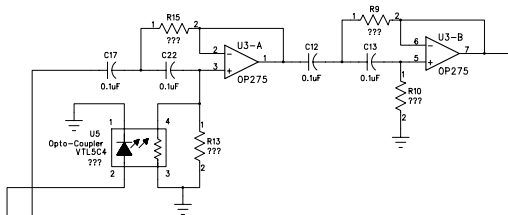
3

2

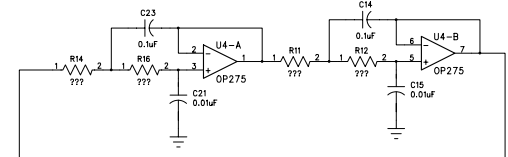
1

REVISION RECORD			
REV	DESCRIPTION	DATE	BY
A			
B	PRODUCTION RELEASE. REF. ECO-819.	04/29/96	J.O.

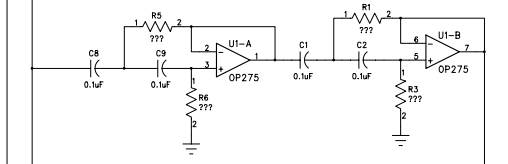
Low Band High Pass
 $f_o = \frac{1}{2\pi RC}$



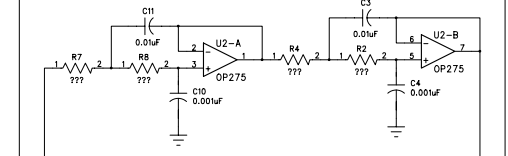
Low Band Low Pass
 $f_o = \frac{1}{2\pi RC}$



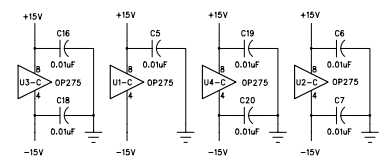
High Band High Pass
 $f_o = \frac{1}{2\pi RC}$



High Band Low Pass
 $f_o = \frac{1}{2\pi RC}$



- High Band LP Out J1-1
- High Band HP Out J1-2
- High Band LP In J1-3
- High/Low Band HP In J1-4
- +15V J1-5
- GND J1-6
- 15V J1-7
- Low Band LP Out J1-8
- Low Band LP In J1-9
- Low Band HP Out J1-10
- LF Excursion Cont. J1-11



COMPANY: RENKUS-HEINZ			
TITLE: SCHEMATIC, MASTER, X12/14/24 CROSSOVER			
DRAWN: JOHN OLSHEFSKI	DATED: 4-15-96	CODE:	REV: B
CHECKED:	DATED:	SIZE: C	DRAWING NO: 722-PCB0057
QUALITY CONTROL:	DATED:	FILE: D00288-B.SCH	
RELEASED: JOHN OLSHEFSKI	DATED: 4-29-96	SH 1 OF 1	

6

5

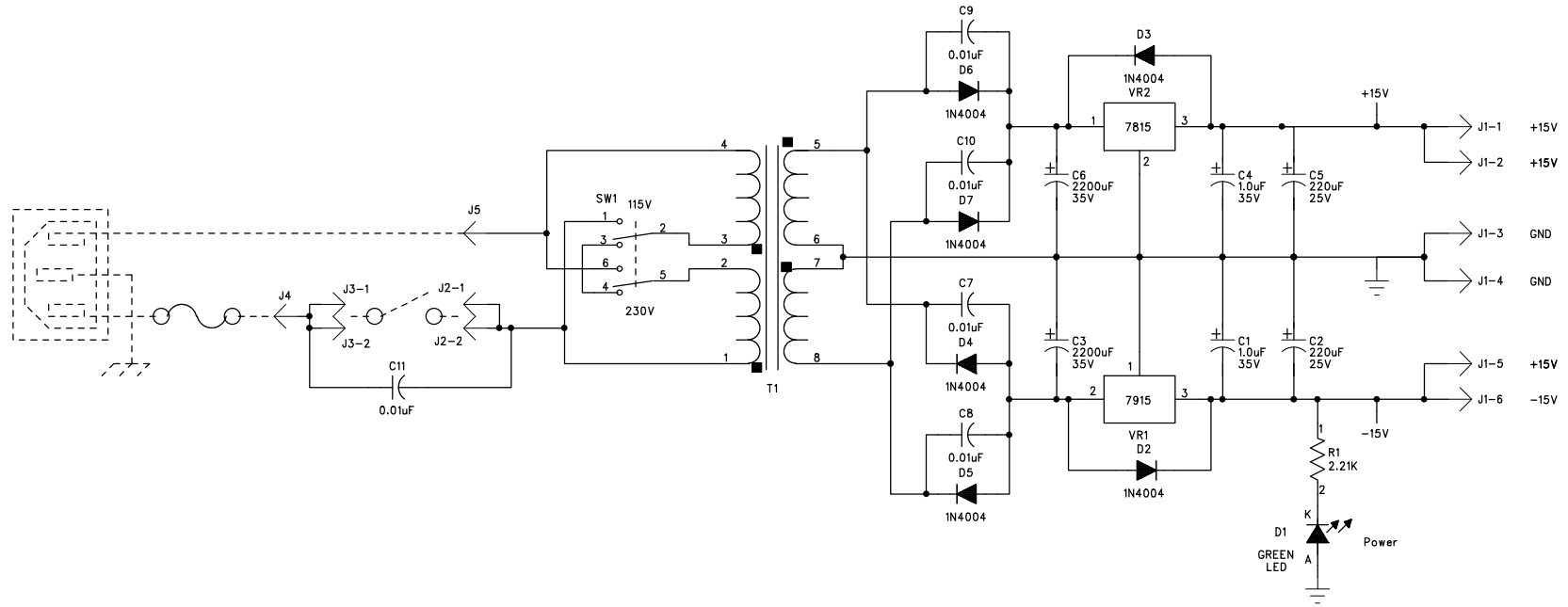
4

3

2

1

REVISION RECORD			
REV	DESCRIPTION	DATE	BY
A			
B	PRODUCTION RELEASE. REF. ECO-822.	05/14/96	T.F.
C	SEE ECO 2450 FOR CHANGES	7/2/98	G.L.



COMPANY:				RENKUS-HEINZ			
TITLE:				SCHEMATIC, X12/14/24, POWER SUPPLY BOARD			
DRAWN: JOHN OLSHEFSKI	DATED: 4/96	CODE:	SIZE: B	DRAWING NO: 700-PCA233	REV: C		
CHECKED:	DATED:	FILE:	D00296-C.SCH		SH 1 OF 1		
Q.C.:	DATED:						
RELEASED:	DATED:						

D

C

B

A

D

C

B

A

6

5

4

3

2

1

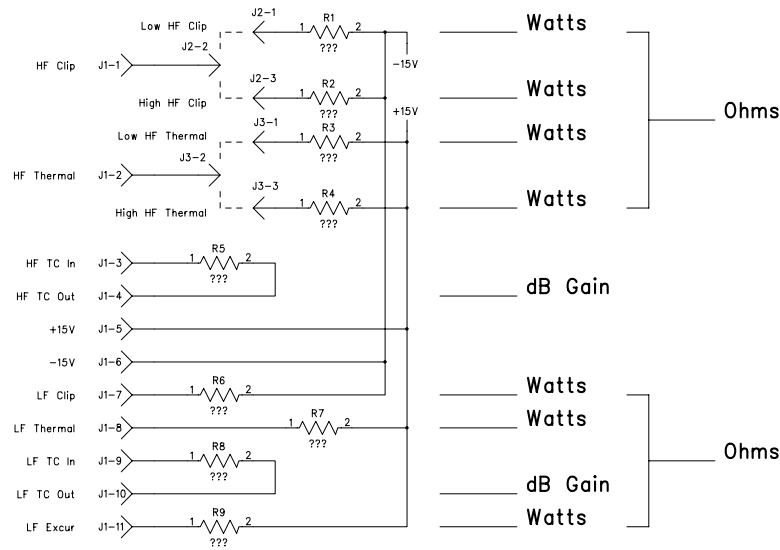
D

C

B

A

REVISION RECORD			
REV	DESCRIPTION	DATE	BY
A			
B	PRODUCTION RELEASE. REF: ECO-816.	04/30/96	T.F.



COMPANY:				RENKUS-HEINZ			
TITLE:				SCHEMATIC, MASTER, X12/14/24 LIMIT BOARD			
DRAWN:		DATED:		CODE:		DRAWING NO:	
JOHN OLSHEFSKI		4-15-96		B		722-PCB0055	
CHECKED:		DATED:		REV:		B	
QUALITY CONTROL:		DATED:		FILE:		SH 1 OF 1	
RELEASED:		DATED:		D00286-B.SCH			
JOHN OLSHEFSKI		4-30-96					