

# Studer A779

## *Professional Compact Mixer*

### Deutsch:

1. Allgemeines
2. Bedienungselemente
3. Funktionsbeschreibung
4. Demontage-Anleitung
5. Abgleich

### English:

1. General
2. Start-up Procedure
3. Functional Description
4. Disassembly Instructions
5. Alignment

Schemas / Circuit Diagrams

**Betriebs- und Serviceanleitung**  
**Operating and Service Instructions**

Prepared and edited by  
Studer Professional Audio GmbH  
Technical Documentation  
Althardstrasse 30  
CH-8105 Regensdorf – Switzerland  
<http://www.studer.ch>



Copyright by Studer Professional Audio GmbH  
Printed in Switzerland  
Order no. 10.27.1354 (Ed. 0796)

Subject to change

---

Studer is a registered trade mark of Studer Professional Audio GmbH, Regensdorf

## A Safety Information

<p><b>CAUTION</b> RISK OF ELECTRIC SHOCK DO NOT OPEN</p> <p><b>ATTENTION</b> RISQUE DE CHOC ELECTRIQUE NE PAS OUVRIR</p> <p><b>ACHTUNG</b> GEFAHR: ELEKTRISCHER SCHLAG NICHT ÖFFNEN</p>	<p>To reduce the risk of electric shock, do not remove covers. No user-serviceable parts inside. Refer servicing to qualified service personnel (i.e., persons having appropriate technical training and experience necessary to be aware of hazards to which they are exposed in performing a repair action, and of measures to minimize the danger of themselves).</p>
	<p>This symbol alerts the user to the presence of un-insulated <i>dangerous voltage</i> within the equipment that may be of sufficient magnitude to constitute a risk of electric shock to a person.</p>
	<p>This symbol alerts the user to <i>important instructions</i> for operating and maintenance in this documentation.</p>
<p><b>CLASS I</b> <b>LED PRODUCT</b></p> <p><b>CLASS I</b> <b>LASER PRODUCT</b></p>	<p>Assemblies or sub-assemblies of this product can contain opto-electronic devices. As long as these devices comply with Class I of laser or LED products according to EN 60825-1:1994, they will not be expressly marked on the product. If a special design should be covered by a higher class of this standard, the device concerned will be marked directly on the assembly or sub-assembly in accordance with the above standard.</p>

### A1 First Aid

#### In Case of Electric Shock:

Separate the person as quickly as possible from the electric power source:

- By switching off the equipment,
- By unplugging or disconnecting the mains cable, or
- By pushing the person away from the power source, using dry, insulating material (such as wood or plastic).
- After having suffered an electric shock, *always* consult a doctor.



**Warning!**

***Do not touch the person or his clothing before the power is turned off, otherwise you stand the risk of suffering an electric shock as well!***

#### If the Person is Unconscious:

- Lay the person down
- Turn him to one side
- Check the pulse
- Reanimate the person if respiration is poor
- *Call for a doctor immediately.*

---

## B General Installation Instructions

---

Please consider besides these general instructions also any product-specific instructions in the «Installation» chapter of this manual.

### B1 Unpacking

---

Check the equipment for any transport damage. If the unit is mechanically damaged, if liquids have been spilled or if objects have fallen into the unit, *it must not be connected to the AC power outlet, or it must be immediately disconnected by unplugging the power cable*. Repair must only be performed by trained personnel in accordance with the applicable regulations.

### B2 Installation Site

---

Install the unit in a place where the following conditions are met:

- The temperature and the relative humidity of the environment must be within the specified limits during operation of the unit. Relevant values are the ones at the air inlets of the unit.
- Condensation must be avoided. If the unit is installed in a location with large variation of ambient temperature (e.g. in an OB-van), appropriate precautions must be taken before and after operation (for details on this subject, refer to Appendix 1).
- Unobstructed air flow is essential for proper operation. Air vents of the unit are a functional part of the design and must not be blocked in any way during operation (e.g. by objects placed upon them, placement of the unit on a soft surface, or installation of the unit within a rack or piece of furniture).
- The unit must not be heated up by external sources of heat radiation (sunlight, spot lights).

### B3 Earthing and Power Supply

---

Earthing of units with mains supply (class I equipment) is performed via the protective earth (PE) conductor integrated in the mains cable. Units with battery operation (< 60 V, class III equipment) must be earthed separately. Earthing the unit is one of the measures for protection against electrical shock hazard (dangerous body currents). Hazardous voltage may not only be caused by a defective power supply insulation, but may also be introduced by the connected audio or control cables.

If the unit is installed with one or several external connections, its earthing must be provided during operation as well as while the unit is not operated. If the earthing connection can be interrupted, for example, by unplugging the mains plug of an external power supply unit, an additional, permanent earthing connection must be installed using the provided earth terminal.

Avoid ground loops (hum loops) by keeping the loop surface as small as possible (by consequently guiding the earth conductors in a narrow, parallel way), and reduce the noise current flowing through the loop by inserting an additional impedance (common-mode choke).

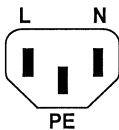
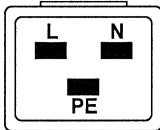
**Class I Equipment (Mains Operation)**

Should the equipment be delivered without a matching mains cable, the latter has to be prepared by a trained person using the attached female plug (IEC320/C13 or IEC320/C19) with respect to the applicable regulations in your country.

Before connecting the equipment to the AC power outlet, check that the local line voltage matches the equipment rating (voltage, frequency) within the admissible tolerance. The equipment fuses must be rated in accordance with the specifications on the equipment.

Equipment supplied with a 3-pole appliance inlet (protection conforming to class I equipment) *must* be connected to a 3-pole AC power outlet so that the equipment cabinet is connected to the protective earth.

For information on mains cable strain relief please refer to Appendix 2.

Female Plugs (IEC320), Front-Side View:		
 		
	IEC 320 / C13	IEC 320 / C19
European Standard (CENELEC)		North American Standard (NAS)
Brown	L (Live)	Black
Blue	N (Neutral)	White
Green/Yellow	PE (Protective Earth)	Green (or Green/Yellow)

**Class III Equipment (Battery Operation up to 60 V<sub>DC</sub>)**

Equipment of this protection class must be earthed using the provided earth terminal, if one or more external signals are connected to the unit (see explanation at the beginning of this paragraph).

**B4 Electromagnetic Compatibility (EMC)**

The unit conforms to the protection requirements relevant to electromagnetic phenomena that are listed in guidelines 89/336/EC and FCC, part 15.

- The electromagnetic interference generated by the unit is limited in such a way that other equipment and systems can be operated normally.
- The unit is adequately protected against electromagnetic interference so that it can operate properly.

The unit has been tested and conforms to the EMC standards of the specified electromagnetic environment, as listed in the following declaration. The limits of these standards ensure protection of the environment and corresponding noise immunity of the equipment with appropriate probability. However, a professional installation and integration within the system are imperative prerequisites for operation without EMC problems.

For this purpose, the following measures must be followed:

- Install the equipment in accordance with the operating instructions. Use the supplied accessories.
- In the system and in the vicinity where the equipment is installed, use only components (systems, equipment) that also fulfill the EMC standards for the given environment.
- Use a system grounding concept that satisfies the safety requirements (class I equipment must be connected with a protective ground conduc-

tor) and that also takes into consideration the EMC requirements. When deciding between radial, surface, or combined grounding, the advantages and disadvantages should be carefully evaluated in each case.

- Use shielded cables where shielding is specified. The connection of the shield to the corresponding connector terminal or housing should have a large surface and be corrosion-proof. Please note that a cable shield connected only single-ended can act as a transmitting or receiving antenna within the corresponding frequency range.
- Avoid ground loops or reduce their adverse effects by keeping the loop surface as small as possible, and reduce the noise current flowing through the loop by inserting an additional impedance (e.g. common-mode choke).
- Reduce electrostatic discharge (ESD) of persons by installing an appropriate floor covering (e.g. a carpet with permanent electrostatic filaments) and by keeping the relative humidity above 30%. Further measures (e.g. conducting floor) are usually unnecessary and only effective if used together with corresponding personal equipment.
- When using equipment with touch-sensitive operator controls, please take care that the surrounding building structure allows for sufficient capacitive coupling of the operator. This coupling can be improved by an additional, conducting surface in the operator's area, connected to the equipment housing (e.g. metal foil underneath the floor covering, carpet with conductive backing).

## C Maintenance

All air vents and openings for operating elements (faders, rotary knobs) must be checked on a regular basis, and cleaned in case of dust accumulation. For cleaning, a soft paint-brush or a vacuum cleaner is recommended.

Cleaning the surfaces of the unit is performed with a soft, dry cloth or a soft brush.

Persistent contamination can be treated with a cloth that is slightly humidified with a mild cleaning solution (soap-suds).

For cleaning display windows, commercially available computer/TV screen cleaners are suited. Use only a slightly damp (never wet) cloth.

*Never use any solvents for cleaning the exterior of the unit! Liquids must never be sprayed or poured on directly!*

For equipment-specific maintenance information please refer to the corresponding chapter in the Operating and Service Instructions manuals.

## D Electrostatic Discharge during Maintenance and Repair

### Caution:



Observe the precautions for handling devices sensitive to electrostatic discharge!

Many semiconductor components are sensitive to electrostatic discharge (ESD). The life-span of assemblies containing such components can be drastically reduced by improper handling during maintenance and repair work. Please observe the following rules when handling ESD sensitive components:

- ESD sensitive components should only be stored and transported in the packing material specifically provided for this purpose.
- *When performing a repair by replacing complete assemblies, the removed assembly must be sent back to the supplier in the same packing material*

*in which the replacement assembly was shipped. If this should not be the case, any claim for a possible refund will be null and void.*

- Unpacked ESD sensitive components should only be handled in ESD protected areas (EPA, e.g. area for field service, repair or service bench) and only be touched by persons who wear a wristlet that is connected to the ground potential of the repair or service bench by a series resistor. The equipment to be repaired or serviced as well as all tools and electrically semi-conducting work, storage, and floor mats should also be connected to this ground potential.
- The terminals of ESD sensitive components must not come in uncontrolled contact with electrostatically chargeable (voltage puncture) or metallic surfaces (discharge shock hazard).
- To prevent undefined transient stress of the components and possible damage due to inadmissible voltages or compensation currents, electrical connections should only be established or separated when the equipment is switched off and after any capacitor charges have decayed.

## **E Repair**

---

Removal of housing parts, shields, etc. exposes energized parts. For this reason the following precautions must be observed:

- Maintenance may only be performed by trained personnel in accordance with the applicable regulations.
- The equipment must be switched off and disconnected from the AC power outlet before any housing parts are removed.
- Even if the equipment is disconnected from the power outlet, parts with hazardous charges (e.g. capacitors, picture tubes) must not be touched until they have been properly discharged. Do not touch hot components (power semiconductors, heat sinks, etc.) before they have cooled off.
- If maintenance is performed on a unit that is opened and switched on, no un-insulated circuit components and metallic semiconductor housings must be touched, neither with your bare hands nor with un-insulated tools.

Certain components pose additional hazards:

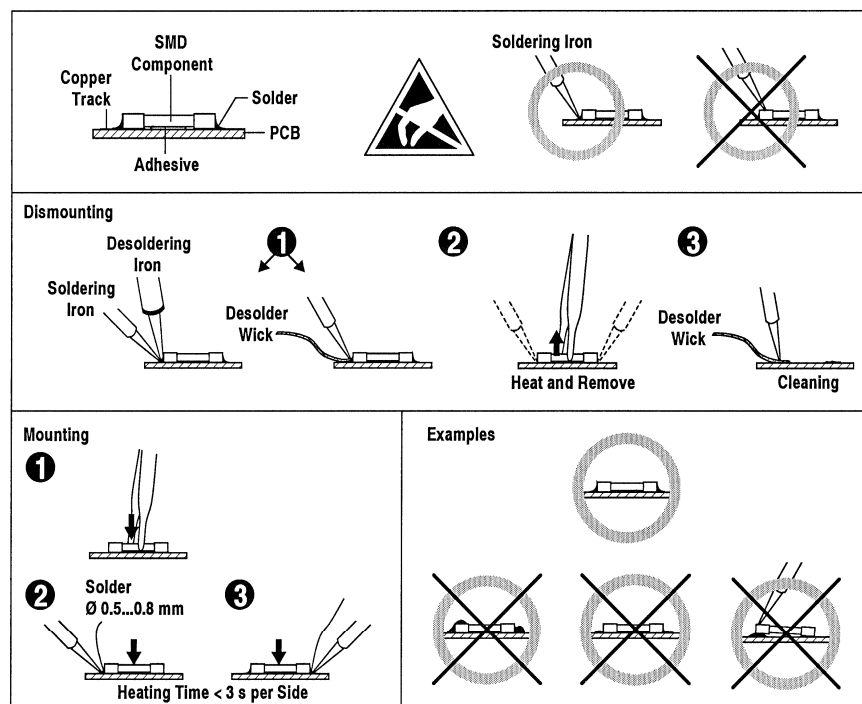
- *Explosion hazard* from lithium batteries, electrolytic capacitors and power semiconductors (watch the component's polarity. Do not short battery terminals. Replace batteries only by the same type).
- *Implosion hazard* from evacuated display units.
- *Radiation hazard* from laser units (non-ionizing), picture tubes (ionizing).
- *Caustic effect* of display units (LCD) and components containing liquid electrolyte.

*Such components should only be handled by trained personnel who are properly protected (e.g. safety goggles, gloves).*

## E1 SMD Components

Studer has no commercially available SMD components in stock for service purposes. For repair, the corresponding devices have to be purchased locally. The specifications of special components can be found in the service manual.

SMD components should only be replaced by skilled specialists using appropriate tools. No warranty claims will be accepted for circuit boards that have been damaged. Proper and improper SMD soldering joints are illustrated below.



## F Disposal

### Disposal of Packing Materials

The packing materials have been selected with environmental and disposal issues in mind. All packing material can be recycled. Recycling packing saves raw materials and reduces the volume of waste.

If you need to dispose of the transport packing materials, please try to use recyclable means.

### Disposal of Used Equipment

Used equipment contains valuable raw materials as well as materials that must be disposed of professionally. Please return your used equipment via an authorized specialist dealer or via the public waste disposal system, ensuring any material that can be recycled is.

Please take care that your used equipment cannot be abused. To avoid abuse, delete sensitive data from any data storage media. After having disconnected your used equipment from the mains supply, make sure that the mains connector and the mains cable are made useless.



---

**G Declarations of Conformity**

---

**G1 Class A Equipment - FCC Notice**

---

This equipment has been tested and found to comply with the limits for a Class A digital device, pursuant to Part 15 of the FCC Rules. These limits are designed to provide a reasonable protection against harmful interference when the equipment is operated in a commercial environment. This equipment generates, uses, and can radiate radio frequency energy and, if not installed and used in accordance with the instruction manual, may cause harmful interference to radio communications. Operation of this equipment in a residential area is likely to cause harmful interference, in which case the user will be required to correct the interference at his own expense.

*Caution: Any changes or modifications not expressly approved by the manufacturer could void the user's authority to operate the equipment. Also refer to relevant information in this manual.*

---

**G2 CE Declaration of Conformity**

---

We,  
**Studer Professional Audio GmbH,**  
**CH-8105 Regensdorf,**  
declare under our sole responsibility that the product  
**Studer A779, Mixing Console**  
**(starting with serial no. 1823)**  
to which this declaration relates, according to following regulations of EU directives and amendments

- Low Voltage (LVD):  
73/23/EEC + 93/68/EEC
- Electromagnetic Compatibility (EMC):  
89/336/EEC + 92/31/EEC + 93/68/EEC

is in conformity with the following standards or normative documents:

- Safety:  
EN 60065:1993 (Class II equipment)
- EMC:  
EN 50081-1:1992; EN 50082-1:1992

Regensdorf, November 20, 1995



B. Hochstrasser, President



P. Fiala, Manager QA

## Appendix 1: Air Temperature and Humidity

### General

Normal operation of the unit or system is warranted under the following ambient conditions defined by *EN 60721-3-3, set IE32, value 3K3*.

This standard consists of an extensive catalogue of parameters, the most important of which are: ambient temperature +5...+40 °C, relative humidity 5...85% (i.e., no formation of condensation or ice); absolute humidity 1...25 g/m<sup>3</sup>; rate of temperature change < 0.5 °C/min. These parameters are dealt with in the following paragraphs.

Under these conditions the unit or system starts and works without any problem. Beyond these specifications, possible problems are described in the following paragraphs.

### Ambient Temperature

Units and systems by Studer are generally designed for an ambient temperature range (i.e. temperature of the incoming air) of +5...+40 °C. When rack mounting the units, the intended air flow and herewith adequate cooling must be provided. The following facts must be considered:

- The admissible ambient temperature range for operation of the semiconductor components is 0 °C to +70 °C (commercial temperature range for operation).
- The air flow through the installation must provide that the outgoing air is always cooler than 70 °C.
- Average heat increase of the cooling air shall be about 20 K, allowing for an additional maximum 10 K increase at the hot components.
- In order to dissipate 1 kW with this admissible average heat increase, an air flow of 2.65 m<sup>3</sup>/min is required.

**Example:** A rack dissipating  $P = 800 \text{ W}$  requires an air flow of  $0.8 * 2.65 \text{ m}^3/\text{min}$  which corresponds to  $2.12 \text{ m}^3/\text{min}$ .

- If the cooling function of the installation must be monitored (e.g. for fan failure or illumination with spot lamps), the outgoing air temperature must be measured directly above the modules at several places within the rack. The trigger temperature of the sensors should be 65 to 70 °C.

### Frost and Dew

The unsealed system parts (connector areas and semiconductor pins) allow for a minute formation of ice or frost. However, formation of dew visible with the naked eye will already lead to malfunctions. In practice, reliable operation can be expected in a temperature range above -15 °C, if the following general rule is considered for putting the cold system into operation:

If the air within the system is cooled down, the relative humidity rises. If it reaches 100%, condensation will arise, usually in the boundary layer between the air and a cooler surface, together with formation of ice or dew at sensitive areas of the system (contacts, IC pins, etc.). Once internal condensation occurs, trouble-free operation cannot be guaranteed, independent of temperature.

Before putting into operation, the system must be checked for internal formation of condensation or ice. Only with a minute formation of ice, direct

evaporation (sublimation) may be expected; otherwise the system must be heated and dried while switched off.

A system without visible internal formation of ice or condensation should be heated up with its own heat dissipation, as homogeneously (and subsequently as slow) as possible; the ambient temperature should then always be lower than the one of the outgoing air.

If it is absolutely necessary to operate the cold system immediately within warm ambient air, this air must be dehydrated. In such a case, the absolute humidity must be so low that the relative humidity, related to the coldest system surface, always remains below 100%.

Ensure that the enclosed air is as dry as possible when powering off (i.e. before switching off in winter, aerate the room with cold, dry air, and remove humid objects as clothes from the room).

These relationships are visible from the following climatogram. For a controlled procedure, thermometer and hygrometer as well as a thermometer within the system will be required.

**Example 1:** An OB-van having an internal temperature of 20 °C and relative humidity of 40% is switched off in the evening. If temperature falls below +5 °C, dew or ice will be forming.

**Example 2:** An OB-van is heated up in the morning with air of 20 °C and a relative humidity of 40%. On all parts being cooler than +5 °C, dew or ice will be forming.

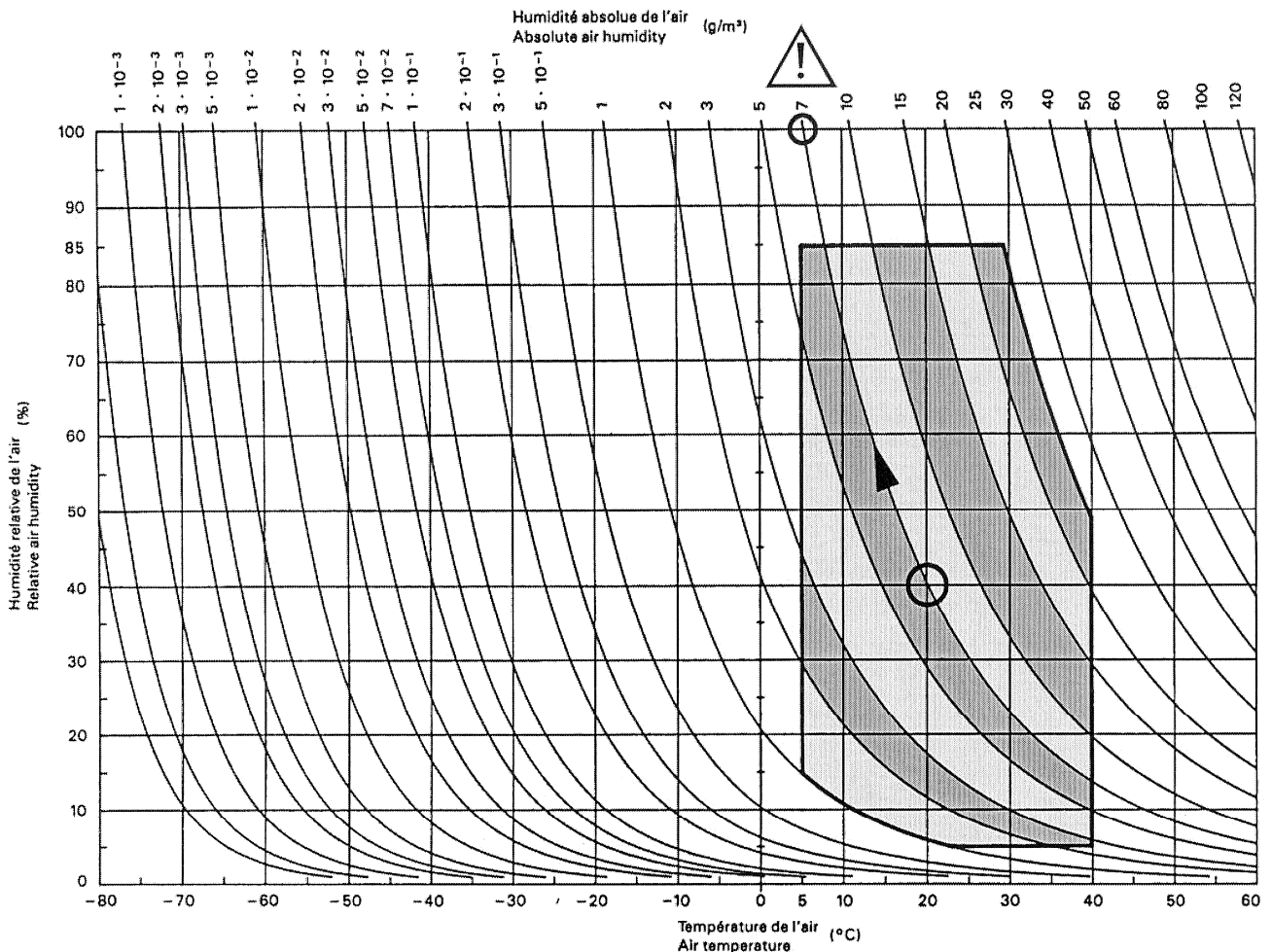
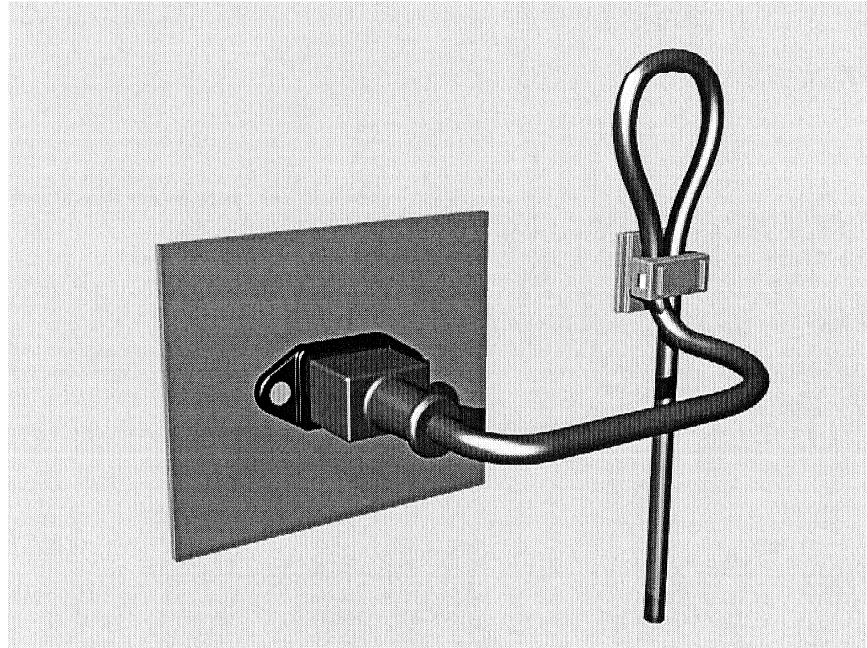


Figure B.3 – Climatogramme pour catégorie 3K3  
Climatogram for class 3K3

## Appendix 2: Mains Connector Strain Relief

For anchoring connectors without a mechanical lock (e.g. IEC mains connectors), we recommend the following arrangement:



**Procedure:** The cable clamp shipped with your unit is auto-adhesive. For mounting please follow the rules below:

- The surface to be adhered to must be clean, dry, and free from grease, oil, or other contaminants. Recommended application temperature range is +20...+40 °C.
- Remove the plastic protective backing from the rear side of the clamp and apply it firmly to the surface at the desired position. Allow as much time as possible for curing. The bond continues to develop for as long as 24 hours.
- For improved stability, the clamp should be fixed with a screw. For this purpose, a self-tapping screw and an M4 bolt and nut are included.
- Place the cable into the clamp as shown in the illustration above and firmly press down the internal top cover until the cable is fixed.

## Appendix 3: Software License

---

*Use of the software is subject to the Studer Professional Audio Software License Agreement set forth below. Using the software indicates your acceptance of this license agreement. If you do not accept these license terms, you are not authorized to use this software.*

Under the condition and within the scope of the following Terms and Conditions, Studer Professional Audio AG (hereinafter “Studer”) grants the right to use programs developed by Studer as well as those of third parties which have been installed by Studer on or within its products. References to the license programs shall be references to the newest release of a license program installed at the Customer’s site.

### Programs Covered by the Agreement

---

**License Programs of Studer** The following Terms and Conditions grant the right to use all programs of Studer that are part of the System and/or its options at the time of its delivery to the Customer, as well as the installation software on the original data disk and the accompanying documentation (“License Material”). In this Agreement the word “Programs” shall have the meaning of programs and data written in machine code.

Using the software indicates your acceptance of this license agreement. If you do not accept these license terms, you are not authorized to use this software.

**Programs of Third Parties** Programs of third parties are all programs which constitute part of the System and/or its options at the time of delivery to the Customer but have not been developed by Studer. The following conditions are applicable to programs of third parties:

- The right to use third parties’ programs is governed by the License Agreement attached hereto (if applicable), which is an integral part of this Agreement. The Customer shall sign any and all License Agreements for all further programs of third parties installed on the system. The Customer shall be deemed to have received all License Agreements upon delivery of the system and/or its options.
- Studer shall accept no responsibility or liability for, and gives no warranties (express or implied) as to the programs of third parties. The Customer waives any and all claims versus Studer for any consequential damages, which might occur due to defects of these programs.

### Right of Use

---

**Principle** Studer grants the Customer the non-exclusive right to use the License Material in one copy on the system and/or its options as laid down by the Sales Agreement concluded between the parties and all Terms and Conditions which shall be deemed to form and be read and construed as part of the Sales Agreement. This right is assignable according to the “Assignability” paragraph hereinafter.

**Customized Configurations** The Customer is not entitled to alter or develop further the License Material except within the expressly permitted configuration possibilities given by the software installed on the system or elsewhere. All altered programs, including but not limited to the products altered within the permitted configuration possibilities, are covered by this License Agreement.

**Reverse Engineering** Reverse engineering is only permitted with the express consent of Studer. The consent of Studer can be obtained but is not limited to the case in which the interface-software can not be provided by Studer. In any case Studer has to be informed immediately upon complete or partial reverse engineering.

**Copying the License Material** The Customer is entitled to make one copy of all or parts of the License Material as is necessary for the use according to this Agreement, namely for backup purposes. The Customer shall apply the copyright of Studer found on the License Material onto all copies made by him. Records shall be kept by the Customer regarding the amount of copies made and their place of keeping. The responsibility for the original program and all copies made lies with the Customer. Studer is entitled to check these records on first request. Copies not needed anymore have to be destroyed immediately.

**Disclosure of License Material** The License Material is a business secret of Studer. The Customer shall not hand out or in any way give access to parts or the complete License Material to third parties nor to publish any part of the License Material without prior written consent of Studer. The Customer shall protect the License Material and any copies made according to the paragraph above by appropriate defense measures against unauthorized access. This obligation of non-disclosure is a perpetual obligation.

Third parties are entitled to have access to the License Material if they use the License Material at the Customer's site in compliance with this Agreement. Under no circumstance are third parties entitled to have access to the installation software on the original data media. The Customer shall safeguard the original data media accordingly.

**Assignability** The rights granted to the Customer according to this License Agreement shall only be assignable to a third party together with the transfer of the system and/or its options and after the prior written consent of Studer.

## **Rights to License Material**

---

With the exception of the right of use granted by this License Agreement all proprietary rights to the License Material, especially the ownership and the intellectual property rights (such as but not limited to patents and copyright) remain with Studer even if alterations, customized changes or amendments have been made to the License Material.

Studer's proprietary rights are acknowledged by the Customer. The Customer shall undertake no infringements and make no claims of any patent, registered design, copyright, trade mark or trade name, or other intellectual property right.

## **Warranty, Disclaimer, and Liability**

---

For all issues not covered herewithin, refer to the "General Terms and Conditions of Sales and Delivery" being part of the sales contract.

<b>1</b>	<b>Allgemeines</b> Einführung 1/1 Bedienungselemente 1/2 Anschlussfeld 1/4 Technische Daten 1/7 Zubehör 1/10
<b>2</b>	<b>Inbetriebnahme</b> Gerät ans Netz anschliessen 2/1 Gerät einschalten 2/1 Mikrofon Phantomspeisung 2/1 Eingänge anschliessen 2/2 Ausgänge anschliessen 2/2
<b>3</b>	<b>Funktionsbeschreibung</b> Netzteil 3/1 Anzeige-Einheit 3/1 Eingangs-Einheit 3/2 Summen-Einheit 3/3 Abhör-Einheit 3/3 Ein-/Ausgangs-Einheit 3/4 Kontroll-Abhör-Einheit 3/5
<b>4</b>	<b>Demontage-Anleitung</b> Allgemeine Hinweise 4/1 Gehäuse 4/2 Elektronische Baugruppen 4/4
<b>5</b>	<b>Abgleichanleitung</b> Allgemeine Hinweise 5/1 Netzteil 5/3 Eingangs-Einheit 5/4 Summen-Einheit 5/5 Anzeige-Einheit 5/6 Messen der Audio Daten 5/6
<b>6</b>	<b>Schemata</b>

## 1 Allgemeines

---

1.1 Einführung .....	1
1.2 Bedienungselemente .....	2
1.3 Anschlussfeld .....	4
1.4 Technische Daten.....	7
1.4.1 Elektronische Daten .....	7
1.4.2 Mechanische Daten .....	9
1.5 Zubehör.....	10
1.5.1 Zubehörset.....	10
1.5.2 Montagesatz für 19"-Rack .....	10
1.5.3 Bus-Verbindungskabel.....	10
1.5.4 Transportkoffer .....	10
1.5.5 Drehknöpfe und Drucktasten .....	11

## 1 Allgemeines

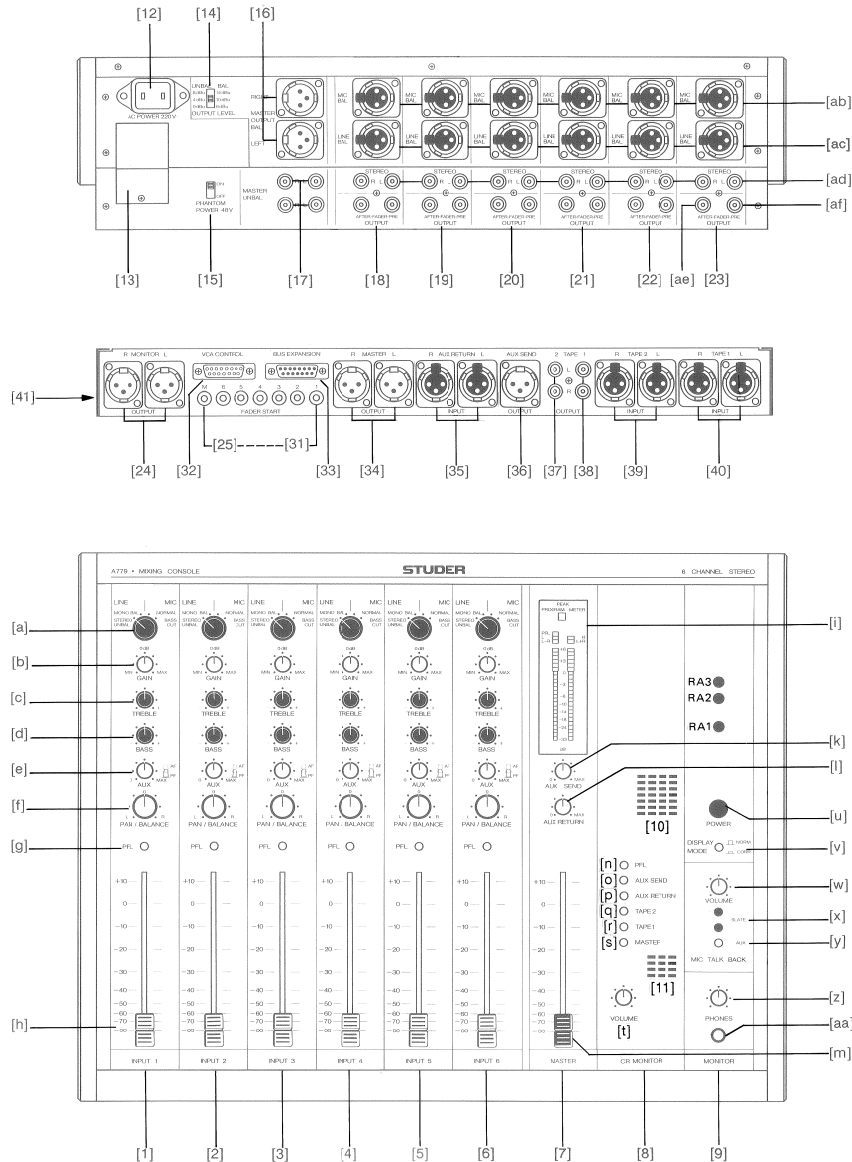
---

### 1.1 Einführung

---

- Das professionelle Kleinmischpult STUDER A779 ist ein universelles Pult vor allem für den mobilen Einsatz. Seine Besonderheit ist, dass in der Grundeinheit jeder der sechs Eingangszüge prinzipiell zweikanalig ausgelegt ist. So kann jeder von ihnen entweder für hochpegelige Signale in Stereo – dann sind die Eingänge asymmetrisch – oder in Mono mit symmetrischem Eingang betrieben werden. Diese Schaltungsart akzeptiert dann auch Mikrofon-Eingangssignale.
- Die Erweiterungseinheit, die unter der Grundeinheit montiert ist und mit dieser eine Einheit bildet, hat nun zusätzliche Symmetrierstufen eingebaut; damit lassen sich drei hochpegelige Stereorückführungen (sechs Kanäle) z. B. von Tonbandmaschinen oder Effektgeräten symmetrisch abschliessen und jeweils auf einen Eingangszug führen.
- Je nach Beschaltung kann so das Pult zwischen sechs und vierzehn Eingangskanäle (unter Berücksichtigung der AUX RETURN- Eingänge) aufweisen.
- Für den Fall des Stereobetriebs eines Eingangszuges wirken die Bedienungselemente auf beide Kanäle.
- Wenn in der folgenden Beschreibung von "Einheiten" die Rede ist, so handelt es sich nicht um mechanisch trennbare Baugruppen, sondern um Funktionseinheiten (Beispiel: die "Eingangseinheit" besteht aus einer Platine und aus in die Bedienoberfläche integrierten Bedienelementen; elektrisch ist sie jedoch eine separate Funktionseinheit).





## 1.2 Bedienungselemente

### Bedienungselement

### Funktion

#### [1] INPUT 1

#### Stereo-Eingangs-Einheit mit folgenden Elementen:

##### [a] INPUT SELECTOR

- Eingangswahlschalter. Zur Anwahl der verschiedenen Eingänge:
  - LINE: MONO BAL. (symmetrisch)
  - STEREO UNBAL. (asymmetrisch)
  - MIC: NORMAL (symmetrisch, erdfrei)
  - BASS CUT (Trittschallfilter aktiv)

#### Vorsicht:

Es dürfen niemals gleichzeitig Hochpegel-Signalquellen und Stereo-HiFi-Signalquellen an der selben Eingangs-Einheit angeschlossen sein!

### Bedienungselement

### Funktion

#### [b] GAIN

- Eingangspegelregler. Zur Anpassung des Pegels der verschiedenen Signalquellen. Die Skala des Reglers ist bei 0 dB mit einer Eichmarke versehen. Diese kennzeichnet 0 dB Verstärkung über den ganzen Kanal bei Eingangswahlschalter Stellung LINE und 0 dB Stellung von Eingang- und Summenregler.

#### [c] TREBLE

- Höhenregler. Potentiometer zur Anhebung oder Absenkung des Höhenbereichs ( $\pm 15$  dB bei 20 kHz). In der Mittelstellung keine Beeinflussung des Frequenzganges.

#### [d] BASS

- Tiefenregler. Potentiometer zur Anhebung oder Absenkung des Tiefenbereichs ( $\pm 15$  dB bei 20 Hz). In der Mittelstellung keine Beeinflussung des Frequenzganges.

#### [e] AUX

- Hilfsausgang. Zur Aussteuerung der monophonen Hilfs-Sammelschiene mit integriertem Zugschalter für die Umschaltung PF/AF (Pre-Fader/After-Fader).

#### [f] PAN/BALANCE

- In den Betriebsarten LINE, MIC NORM und MIC BASS CUT als Panoramapotiometer geschaltet (Verteilung des Signals auf den rechten und linken Kanal). In der Betriebsart STEREO als Balanceregler geschaltet.

#### [g] PFL

- Drucktaste für "Pre-Fader-Listening" (Abhören vor dem Flachbahnregler), schaltet das Signal monophon auf die PFL-Sammelschiene.

#### [h] FADER

- Flachbahnregler mit Bereich +10 dB ... -70 dB.

#### [2] INPUT 2 ... [6] INPUT 6

- Stereo-Eingangs-Einheiten mit der gleichen Bestückung wie Eingang 1.

#### [7] MASTER

#### Summe. Stereo-Ausgangs-Einheit mit folgenden Elementen:

##### [i] PEAK PROGRAM METER

- Programm-Spitzenwertanzeige. 2 LED-Reihen zeigen den momentanen Spitzenwert der angewählten Abhörquelle an. Wird im Stereobetrieb die Momenttaste DISPLAY MODE [v] gedrückt, so kann die Monokompatibilität abgeschätzt werden (siehe 3.2, Seite D 3/1).

Bedienungselement	Funktion
[k] AUX SEND	<ul style="list-style-type: none"> <li>■ Pegelregler des Summensignals AUX SEND [36] (Ausgang der monofonen Hilfs-Sammelschiene AUX).</li> </ul>
[l] AUX RETURN	<ul style="list-style-type: none"> <li>■ Pegelregler des stereofonen RETURN-Hilfseinganges [35].</li> </ul>
[m] MASTER FADER	<ul style="list-style-type: none"> <li>■ Stereo-Flachbahnregler für den Summen-Ausgangspegel; Bereich +10 ... -70 dB.</li> </ul>
[8] CR MONITOR	<b>Kontroll-Abhör-Einheit mit folgenden Elementen:</b>
[n] PFL	<ul style="list-style-type: none"> <li>■ Drucktaste zur Durchschaltung der PFL-Sammelschiene auf die Abhör-Sammelschiene. (Das monofone PFL-Signal wird zu gleichen Teilen auf den linken und rechten Kanal der Abhör-Sammelschiene geführt.)</li> </ul>
[o] AUX SEND	<ul style="list-style-type: none"> <li>■ Drucktaste zur Durchschaltung der Hilfs-Sammelschiene auf die Abhör-Sammelschiene. (Das monofone AUX-Summensignal wird zu gleichen Teilen auf den linken und rechten Kanal der Abhör-Sammelschiene geführt.)</li> </ul>
[p] AUX RETURN	<ul style="list-style-type: none"> <li>■ Drucktaste zur Durchschaltung des linken und rechten Kanals des Hilfseinganges AUX RETURN [35] auf die Abhör-Sammelschiene.</li> </ul>
[q] TAPE 2	<ul style="list-style-type: none"> <li>■ Drucktaste zur Durchschaltung des linken und rechten Kanals des Einganges TAPE 2 [39] auf die Abhör-Sammelschiene.</li> </ul>
[r] TAPE 1	<ul style="list-style-type: none"> <li>■ Drucktaste zur Durchschaltung des linken und rechten Kanals des Einganges TAPE 1 [38] auf die Abhör-Sammelschiene.</li> </ul>
[s] MASTER	<ul style="list-style-type: none"> <li>■ Drucktaste zur Durchschaltung des linken und rechten Kanals des Summenausganges auf die Abhör-Sammelschiene.</li> </ul>
[t] VOLUME	<ul style="list-style-type: none"> <li>■ Potentiometer zur Pegel-Einstellung des linken und rechten Abhörausganges [24].</li> </ul>
[9] MONITOR	<b>Abhör-Einheit mit folgenden Elementen:</b>
[u] POWER	<ul style="list-style-type: none"> <li>■ Netzschalter</li> </ul>
[v] DISPLAY MODE	<ul style="list-style-type: none"> <li>■ Druckschalter zur Umschaltung der Programm-Spitzenwertanzeige. Stellung NORM = Pegelanzeige Stellung CORR = Korrelationsanzeige (siehe Programm-Spitzenwertanzeige [i] )</li> </ul>
[w] VOLUME MIC	<ul style="list-style-type: none"> <li>■ Empfindlichkeitsregler des eingebauten Mikrofons [11].</li> </ul>
[x] SLATE	<ul style="list-style-type: none"> <li>■ Aufsprechen auf Summen-Sammelschiene (beide Tasten gleichzeitig drücken).</li> </ul>
[y] MIC TALK BACK AUX	<ul style="list-style-type: none"> <li>■ Aufsprechen auf die Hilfs-Sammelschiene.</li> </ul>
[z] VOLUME	<ul style="list-style-type: none"> <li>■ Potentiometer zur Lautstärke-Einstellung des Abhör-Lautsprechers [10] oder des Kopfhörers [aa].</li> </ul>
[aa] PHONES	<ul style="list-style-type: none"> <li>■ Stereo-Klinkenbuchse zum Anschluss eines Kopfhörers (200 <math>\Omega</math> ... 600 <math>\Omega</math>). Bei eingestecktem Kopfhörer wird der eingebaute Mithör-Lautsprecher [10] automatisch ausgeschaltet.</li> </ul>

Bedienungselement	Funktion
[10] SPEAKER	■ Monitor Abhör-Lautsprecher
[11] MICROPHONE	■ Mikrofon zum Aufsprechen auf die Hilfs- oder Summen-Sammelschiene.

### 1.3 Anschlussfeld

Bedienungselement	Funktion
[12] AC POWER	■ Netzanschluss
[13] VOLTAGE SELECTOR	■ Netzspannungswähler und Netzsicherung
[14] OUTPUT LEVEL	<p>■ Ausgangspegel. Schiebesehalter zur Anpassung des 0 dB Summenpegels an den verwendeten Studiopegel.</p> <p>UNBALANCED:    0 dBu = 0,775 V<sub>eff.</sub>                          +4 dBu = 1,23 V<sub>eff.</sub>                          +8 dBu = 1,95 V<sub>eff.</sub></p> <p>BALANCED:     +6 dBu = 1,55 V<sub>eff.</sub>         (erdfrei)     +10 dBu = 2,45 V<sub>eff.</sub>                          +14 dBu = 3,88 V<sub>eff.</sub></p>

Alle XLR-Stecker sind einheitlich wie folgt belegt:



- 1 = Schirm
- 2 = a - Ader
- 3 = b - Ader

[15] PHANTOM POWER 48 V	■ Schiebesehalter zur Aktivierung der Mikrofon-Phantomspannung aller Eingangs-Einheiten (für Kondensator-Mikrofone).
[16] MASTER OUTPUT BAL. L/R	■ Symmetrische Ausgänge des linken und rechten Summenkanals (XLR).
[17] MASTER UNBAL. R/L	■ Jeweils zwei parallelgeschaltete, asymmetrische Ausgänge des linken und rechten Summenkanals (CINCH-Stecker).
[18] INPUT 6	<b>Stereo-Eingangs-Einheit mit folgender Stecker-Belegung:</b>
[ab] MIC BAL.	■ Symmetrisch erdfreier Mikrofoneingang (XLR-Stecker, mono).
[ac] LINE BAL.	■ Symmetrischer Hochpegeleingang (XLR-Stecker, mono).
[ad] STEREO L/R	■ Asymmetrische Eingänge für linken und rechten Kanal des Stereo-Hochpegeleinganges (CINCH-Stecker).
[ae] OUTPUT AFTER FADER	■ Asymmetrischer Kanal-Ausgang. Das Signal wird nach dem Flachbahnregler abgegriffen und zu einem Mono-Signal summiert (CINCH-Stecker).

Bedienungselement	Funktion
[af] OUTPUT PRE FADER	<ul style="list-style-type: none"> <li>■ Asymmetrischer Kanal-Ausgang. Das Signal wird vor dem Flachbahnregler abgegriffen und zu einem Mono-Signal summiert (CINCH-Stecker).</li> </ul>
[19] ...[23] INPUT 5 ... 1	<ul style="list-style-type: none"> <li>■ Stereo-Eingangseinheiten mit identischer Steckerbelegung wie Eingang 6.</li> </ul>
[24] MONITOR OUTPUT	<ul style="list-style-type: none"> <li>■ Abhörausgang. Symmetrische Ausgänge der linken und rechten Abhör-Sammelschiene (XLR-Stecker). Ausgangspegel mit Lautstärkeregler [t] einstellbar. Programmierung zur Stummschaltung (Monitor Cut) bei offenem Mikrofon mit DIP-Codierschalter [41].</li> </ul>
[25] FADER START M (MASTER)	<ul style="list-style-type: none"> <li>■ Klinkenbuchse (3,5 mm, stereo) für den Anschluss eines Faderstartkabels. Der Summenregler betätigt beim Öffnen einen galvanisch getrennten Relais-Arbeitskontakt. (Siehe auch Kap. 3.6)</li> </ul>
[26] ...[31] FADERSTART KANAL 6 ...1	<ul style="list-style-type: none"> <li>■ Klinkenbuchse (3,5 mm, stereo) für den Faderstart-Anschluss. Jeder Eingangsfader schaltet einen Faderstart-Anschluss (vgl. [25] und Kap. 3.6).</li> </ul>
[32] VCA CONTROL	<ul style="list-style-type: none"> <li>■ Die Verstärkungsregler in den einzelnen Eingangskanälen können auch extern gesteuert werden (Option 850). Durch Anlegen entsprechender Steuerspannungen (TTL-Bereich) wird die Verstärkung beeinflusst.  Dabei gilt:        0V - Regler ganz geöffnet        (v = 0dB)                          +5V - Regler ganz geschlossen(v = -100dB)</li> <li>■ Die im A779 vorgesehene Schnittstelle kann direkt von bestimmten Videoschnittplätzen angesteuert werden, z.B. SONY BVE 600, BVE 900 und BVE 9000. Für andere Anwendungen müssen entsprechende Spannungsgeber generiert werden.</li> </ul>

Belegung: Pin 1 = Steuerspannung Eingang 1  
Pin 2 = Steuerspannung Eingang 2  
Pin 3 = Steuerspannung Eingang 3  
Pin 4 = Steuerspannung Eingang 4  
Pin 5 = Steuerspannung Eingang 5  
Pin 6 = Steuerspannung Eingang 6  
Pin 9 = 0 Volt

**Anschluss**

**Funktion**

[33] BUS EXPANSION

- Erweiterungsanschluss für ein zweites A779 Mischpult. Die Master- und Slave-Funktion wird vom Verbindungskabel bestimmt. Die Stecker des Kabels sind entsprechend beschriftet.

Belegung:	Pin 1 = MBR-IN	Pin 9 = BC
	Pin 2 = MBL-IN	Pin 10 = 0 Volt
	Pin 3 = SB-IN	Pin 11 = 0 Volt
	Pin 4 = PFL-IN	Pin 12 = 0 Volt
	Pin 5 = MBR-OUT	Pin 13 = 0 Volt
	Pin 6 = MBL-OUT	Pin 14 = 0 Volt
	Pin 7 = SB-OUT	Pin 15 = 0 Volt (SCREEN)
	Pin 8 = PFL-OUT	

**Signalnamen:** MB = Master Bus; SB = Send Bus; PFL = Pre Fader Listening; BC = Bus Controller; L = links; R = rechts;

[34] MASTER OUTPUT R/L

- Symmetrisch erdfreier Stereo-Ausgang des Summenkanals (XLR).

[35] AUX RETURN R/L INPUT

- Symmetrisch erdfreie Hilfseingänge auf die linke und rechte Summen-Sammelschiene (XLR).

[36] AUX SEND OUTPUT

- Symmetrischer Ausgang der Hilfs-Sammelschiene (XLR, mono).

[37] TAPE 2 OUTPUT L/R

- Asymmetrische Ausgänge (CINCH-Stecker). Das Signal des symmetrischen Hochpegeleingangs TAPE 2 [39] wird asymmetrisch auf diesen Ausgang geführt. Vorschalten an einen beliebigen, asymmetrischen Stereo-Eingang [ad] mit CINCH-Kabel.

[38] TAPE 1 OUTPUT L/R

- Asymmetrische Ausgänge (CINCH-Stecker). Das Signal des symmetrischen Hochpegeleingangs TAPE 1 [40] wird asymmetrisch auf diesen Ausgang geführt. Vorschalten an einen beliebigen, asymmetrischen Stereo-Eingang [ad] mit CINCH-Kabel.

[39] TAPE 2 INPUT L/R

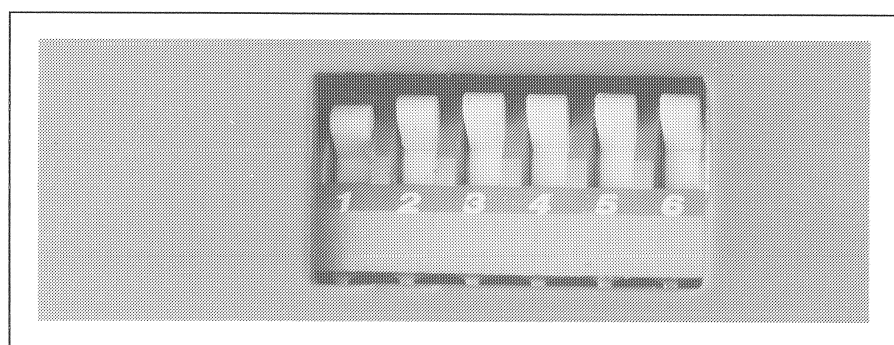
- Symmetrischer Stereo-Hochpegeleingang.

[40] TAPE 1 INPUT L/R

- Symmetrischer Stereo-Hochpegeleingang.

[41] MONITOR CUT

- Über den 6-teiligen DIP-CODIER-SCHALTER kann für jeden Eingangskanal das Stummschalten des Monitorausgangs bestimmt werden. Zeigt ein Schalter nach unten, so wird beim Öffnen des entsprechenden Eingangsfaders der stereofone Abhörausgang [24] stummgeschaltet.



## 1.4 Technische Daten

### 1.4.1 Elektronische Daten

#### Allgemeines:

##### Messbedingungen:

Alle Spannungen in dBu beziehen sich auf 775 mV<sub>eff</sub>. Alle Eingangs- und Summen-Flachbahnregler sind auf 0 dBu eingestellt, die Höhen- und Tiefenregler in Mittelstellung.

- Pegel:**
- Regelbereich für 0 dB Anzeige auf der Spitzenwertanzeige:
 

GAIN MIC:	-60 dBu ... 0 dBu
GAIN LINE, STEREO:	-20 dBu ... +16 dBu
AUX RETURN:	-4 dBu ... +22 dBu
  - Ausgangspegel für 0 dB Anzeige auf der Spitzenwertanzeige:
 

PRE, AFTER FADER:	0 dBu
AUX SEND:	+6 dBu
MASTER unbal.:	0; +4; +8 dBu
MASTER bal.:	+6; +10; +14 dBu
(mit Schalter auf Rückwand einstellbar)	
MONITOR max.:	+16 dBu
  - TAPE 1, 2 für 0 dB Anzeige auf der Spitzenwertanzeige:
 

Eingänge bal.:	+6 dBu
Ausgänge unbal.:	0 dBu

- Übersteuerungsreserven:**
- Maximaler Eingangspegel:
 

MIC:	0 dBu
LINE bal, STEREO:	+20 dBu
AUX RETURN, TAPE:	+26 dBu
  - Maximaler Ausgangspegel:
 

Unbalanced:	+20 dBu
Balanced:	+24 dBu
Balanced Trafo:	+26 dBu

- Impedanzen:**
- Eingangsimpedanz:
 

MIC:	> 1.2 kOhm
LINE, STEREO:	47 kOhm
AUX RETURN, TAPE:	> 10 kOhm
  - Ausgangsimpedanz:
 

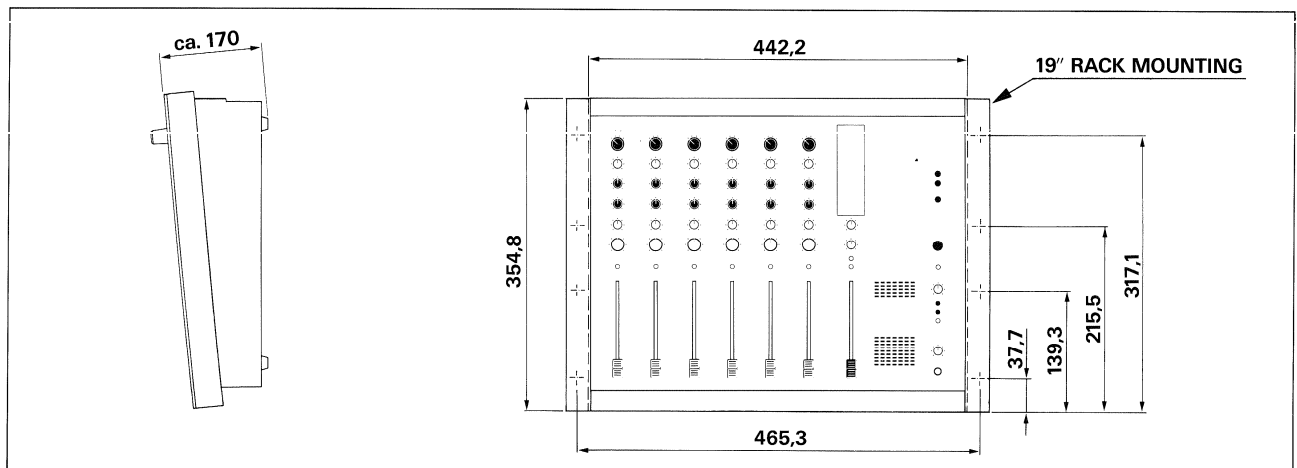
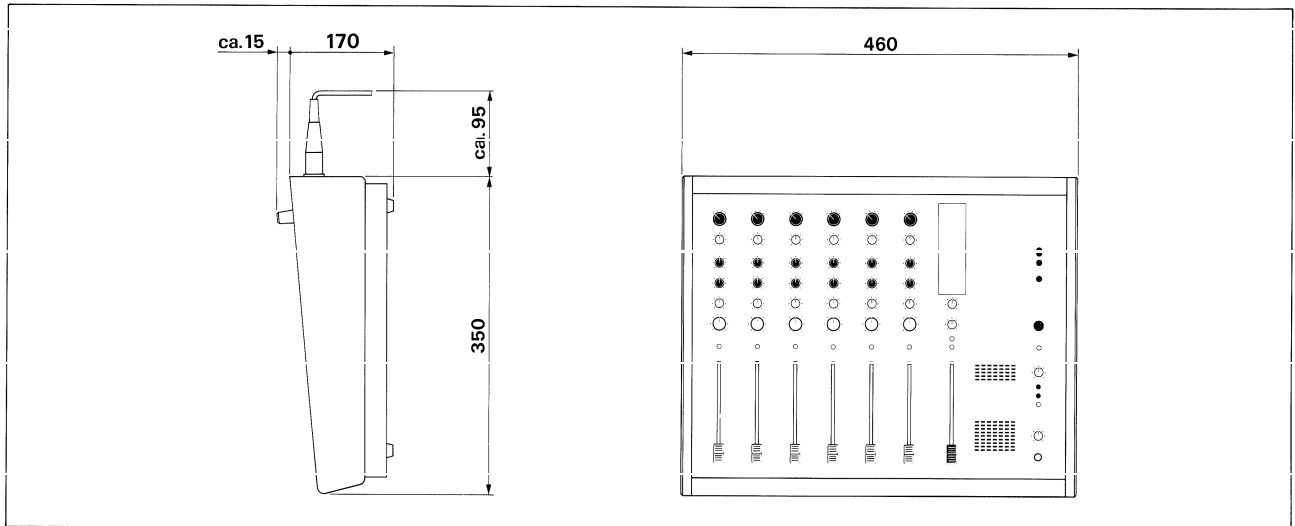
MASTER bal.,	
AUX SEND, MONITOR:	< 50 Ohm
MASTER unbal.:	< 1.0 kOhm
OUTPUT PF, AF:	< 50 Ohm

- Frequenzgänge:**
- Linear (Höhenregler, Tiefenregler in Mittelstellung)
    - 20 Hz ... 20 kHz: +1 ... -1 dB
    - Trittschallfilter 12 dB/Oktave, -3 dB: 70 Hz
    - Höhenregler 20 kHz: +15 ... -15 dB
    - Tiefenregler 20 Hz: +15 ... -15 dB
- Fremdspannungsabstände:**
- Effektivwerte 20 Hz ... 20 kHz
    - 1x MIC bezogen auf -60 dBu Eingangsspannung, 200  $\Omega$  Abschluss: > 63 dB
    - 1x LINE bezogen auf 0 dBu Eingangsspannung, 1 k $\Omega$  Abschluss: > 90 dB
    - 6x LINE bezogen auf 0 dBu Eingangsspannung: > 86 dB
    - Summenregler geschlossen: > 100 dB
- Klirrfaktor:**
- LINE 0 dBu Eingang +6 dBu Summenausgang
    - 1 kHz: < 0.03 %
    - 20 Hz ... 20 kHz: < 0.15 %
  - MIC -20 dBu Eingang
    - 1 kHz: < 0.03 %
    - 30 Hz ... 15 kHz: < 0.15 %
- Übersprechdämpfung:**
- Links - Rechts Übersprechen eines Stereo-Eingangs 10 kHz: > 50 dB
  - Ausschalttdämpfung Kanalregler 10 kHz: > 86 dB
  - Ausschalttdämpfung Summenregler 10 kHz: > 100 dB
- Anzeige:**
- LED-Bargraph-Instrument mit PPM-Charakteristik (Peak Program Meter) für Quasi-Spitzenwert-Anzeige. Die LED arbeiten mit folgender Abstufung:
    - Bereiche: +6 ... +1 dB in 1 dB Schritten (rot)
    - 0 ... -6 dB in 1 dB Schritten (grün)
    - 7 ... -18 dB in 2 dB Schritten (grün)
    - 19 ... -33 dB in 3 dB Schritten (grün)
  - Charakteristik umschaltbar von PPM auf Anzeige des Korrelationsgrades eines Stereosignales (L-R, L+R).
  - Pegelanzeige wählbar für:
    - PFL (Mono)
    - AUX SEND (Mono)
    - AUX RETURN (Left, Right)
    - TAPE 2 (Left, Right)
    - TAPE 1 (Left, Right)
    - MASTER-Ausgang (Left, Right)
- Stromversorgung:**
- Netzspannungen umschaltbar:
    - 100, 120, 140, 200, 220, 240 V
    - 50 ... 60 Hz, max. 50 Watt
  - Netzsicherung:
    - 100 ... 140 V : 630 mA
    - 200 ... 240 V : 315 mA

1.4.2 Mechanische Daten

Gewicht: MIXING CONSOLE A779: ca. 13 kg

Abmessungen: Breite × Tiefe × Höhe: 46cm × 35cm × 17cm





## 1.5 Zubehör

Im Lieferumfang des Gerätes sind ein Netzkabel und eine Bedienungs- und Serviceanleitung enthalten. Folgende Positionen sind als Zubehör lieferbar:

### 1.5.1 Zubehörset

**Best.Nr. 1.775.031.00**

Pos.	Stk.	Teil-Nr.	Bezeichnung
1.	12	54.02.0280	XLR Stecker (male)
2.	7	54.02.0281	XLR Stecker (female)
3.	7	54.24.0121	Mini-Jack, Stereo 3,5 mm (Faderstart)
4.	2	54.21.2080	Cinch - Cinch Kabel, 0,5 m
5.	2	1.911.000.34	Knopf schmal GELB
6.	2	1.911.000.35	Knopf schmal GRUEN
7.	2	1.911.000.36	Knopf schmal BLAU
8.	1	51.01.0112	Sicherung: T 315mA/250V
9.	2	51.01.0117	Sicherung: T 1A/250V

### 1.5.2 Montagesatz für 19"-Rack

**Best.Nr. 1.775.361.00**

Pos.	Stk.	Teil-Nr.	Bezeichnung
1.	3	21.26.0353	Z-Schraube, M3×5
2.	8	21.26.2454	S-Schraube, M4×6
3.	2	1.775.360.25	Rackwinkel
4.	1	1.775.360.24	Zierprofil unten

### 1.5.3 Bus-Verbindungskabel

**Best.Nr. 1.023.767.00**

Graues Verbindungskabel 85cm, 10-adrig, verdrahtet mit zwei 15-poligen D-Typ Steckern. Der eine Stecker schliesst ein A779 als Master an, der andere als Slave. Jedes A779 Mischpult kann für beide Zwecke verwendet werden.

**Kopplung zweier A779:** Die Kopplung zweier A779 Mischpulte ergibt ein System mit 12 Eingangskanälen und einem Summenausgang. Vom Slave-Pult werden die Summen-, Aux- und PFL-Sammelschienen direkt (Masterregler werden umgangen) auf die Sammelschienen des Master-Pultes gespeist. Das BC-Signal (Bus Controller) schaltet die Sammelschienen-Signale auf den D-Typ-Stecker BUS EXPANSION.

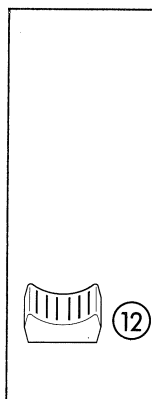
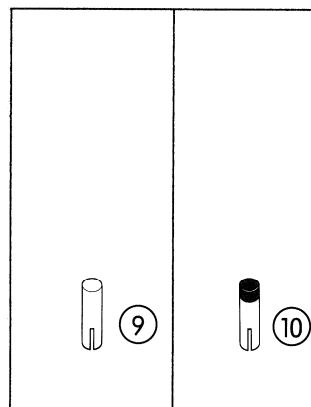
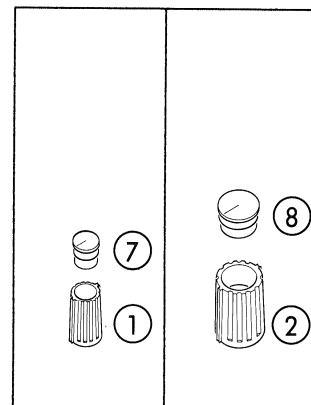
### 1.5.4 Transportkoffer

**Best.Nr. 10.690.001.01**

**Äussere Abmessungen:** Doppelschalen-Kunststoffkoffer mit Traggriff; schwarz; abschliessbar;  
57cm × 45cm × 24cm

1.5.5 Drehknöpfe und Drucktasten

Ind.	ORDER NUMBER	PART NAME	COLOR
01	42.01.0203	knob fixed.... $\phi$ 10/4mm with screw	dark grey
	1.775.370.32	knob..... $\phi$ 10/4mm	dark grey
02	1.775.370.31	knob..... $\phi$ 15/4mm	dark grey
07	42.01.0250	Cap with line... $\phi$ 10mm	light grey
	42.01.0251	.....	dark grey
	42.01.0252	.....	black
	42.01.0253	.....	red
	42.01.0254	.....	blue
	42.01.0255	.....	yellow
42.01.0256	.....	green	
08	42.01.0257	Cap with line... $\phi$ 15mm	light grey
	42.01.0258	.....	dark grey
	42.01.0259	.....	black
	42.01.0260	.....	red
	42.01.0261	.....	blue
	42.01.0262	.....	yellow
42.01.0263	.....	green	
09	1.810.320.02	Push button.....	dark grey
	1.810.320.03	.....	blue
	1.810.320.04	.....	yellow
	1.810.320.05	.....	white
	1.810.320.06	.....	green
	1.810.320.07	.....	red
10	1.011.094.02	Push button with.....	red
	1.011.094.03	coloured top.....	orange
	1.011.094.04	.....	yellow
	1.011.094.05	.....	green
	1.011.094.06	.....	blue
	1.011.094.08	.....	light grey
1.011.094.09	.....	dark grey	
12	1.911.000.32	Fader knob.....	red
	1.911.000.33	.....	orange
	1.911.000.34	.....	yellow
	1.911.000.35	.....	green
	1.911.000.36	.....	blue
	1.911.000.38	.....	light grey
1.911.000.39	.....	white	



## 2 Inbetriebnahme

---

---

2.1	Gerät ans Netz anschliessen.....	1
2.2	Gerät einschalten.....	1
2.3	Mikrofon Phantomspeisung .....	1
2.4	Eingänge anschliessen.....	2
2.5	Ausgänge anschliessen.....	2

## 2 Inbetriebnahme

---

### 2.1 Gerät ans Netz anschliessen

---



Achten Sie auf Übereinstimmung der örtlichen Netzspannung mit dem aufgedruckten Wert beim Geräte-Netzanschluss. Im abweichenden Fall ist das Spannungskarussell entsprechend einzustellen. Der Wert der Primärsicherung muss anschliessend kontrolliert werden: (vgl. Abschnitt 4.3.11)

- 100...140 V<sub>AC</sub>: **T 630 mA L 250 V (slow blow)**  
*USA und CDN (100...140 V<sub>AC</sub>): 630 mA slow blow UL/CSA*
- 200 ...240V<sub>AC</sub>: **T 315 mA L 250 V (slow blow)**

### 2.2 Gerät einschalten

---

Durch Drücken des Netzschalters [u] wird das Gerät eingeschaltet, die Programm-Spitzenwertanzeige leuchtet. Erneutes Drücken der Taste schaltet das Gerät wieder aus und trennt es vom Netz.

### 2.3 Mikrofon-Phantomspeisung

---

**Kondensator-Mikrofone:** Kondensator-Mikrofone benötigen eine Versorgungsspannung von 48 V<sub>DC</sub>, welche vom Mischpult zur Verfügung gestellt wird. Schiebeschalter PHANTOM POWER 48 V [15] in Stellung ON, für alle Eingangs-Einheiten ist die Mikrofon-Phantomspeisung eingeschaltet.

**Dynamische Mikrofone:** Dynamische Mikrofone benötigen keine zusätzliche Speisung und werden einfach an den Mikrofoneingängen angeschlossen. Schiebeschalter PHANTOM POWER 48 V [15] in Stellung OFF.

**Hinweis:** Werden bei einer Aufnahme dynamische Mikrofone und Kondensator-Mikrofone gleichzeitig verwendet, *so müssen alle Mikrofone symmetrisch angeschlossen werden*. Der Schiebeschalter PHANTOM POWER 48 V [15] ist in die Stellung ON zu bringen.

Bei asymmetrischem Anschluss und eingeschalteter Phantomspeisung werden die Eingangsübertrager magnetisiert, was zu erhöhtem Klirrfaktor führt. Für eine Entmagnetisierung beachten Sie bitte die entsprechenden Hinweise im Kapitel 5.1.1.

## 2.4 Eingänge anschliessen

---

- Mikrofone:**  sind an den symmetrischen Eingängen MIC BAL. [ab] der Stereo-Eingangs-Einheiten 1 [23] bis 6 [18] anschliessbar.
- Die Eingangswahlschalter [a] sind entsprechend in die Stellung MIC NORMAL oder MIC BASS CUT zu bringen.
- Hochpegel-Signalquellen:**  Mono-Signalquellen mit symm. Hochpegelausgang ( $50 \text{ mV}_{\text{RMS}}$ ... $3 \text{ V}_{\text{RMS}}$ ) sind am Eingang LINE BAL. [ac] der Stereo-Eingangs-Einheit anschliessbar.
- Die Eingangswahlschalter [a] sind entsprechend in die Stellung LINE MONO BAL. zu bringen.
- Stereo-Signalquellen mit symmetrischem Hochpegelausgang ( $50 \text{ mV}_{\text{RMS}}$  bis  $3 \text{ V}_{\text{RMS}}$ ) sind an den Eingängen TAPE 1 [40] und TAPE 2 [39] der Ein-/Ausgangs-Einheit anschliessbar. Mit CINCH-CINCH-Verbindungskabeln werden sie am asymmetrischen Ausgang TAPE 1 [38] oder TAPE 2 [37] abgegriffen und einem beliebigen Stereo-Eingang [18] ... [23] [ad] zugeschaltet.
- Stereo-HiFi-Signalquellen:**  Asymmetrische Stereo-Signalquellen (z.B. HiFi-Geräte) sind an den Stereo-Eingängen [ad] der Stereo-Eingangs-Einheiten anschliessbar. Die Eingangswahlschalter [a] sind entsprechend in die Stellung STEREO UNBAL. zu bringen.
- Vorsicht:** **An derselben Eingangs-Einheit dürfen nie beide LINE-Eingänge (MONO BAL. und STEREO UNBAL.) gleichzeitig mit Signalquellen verbunden sein!**

## 2.5 Ausgänge anschliessen

---

### Symmetrische Ausgänge:

**Master Ausgang** Geräte mit symmetrischen Eingängen sind an den Steckern MASTER OUTPUT BAL. L/R [16] [34] anschliessbar.

**Monitor Ausgang** Ein Abhörverstärker oder - noch einfacher - ein Paar aktiver Studio-Monitore (z.B. die aktiven Studio-Schallwandler STUDER A523, A623, A723 oder A823) kann direkt an den Ausgang MONITOR OUTPUT [24] angeschlossen werden.

**Asymmetrische Ausgänge:** Geräte mit asymmetrischen Eingängen sind an den Steckern MASTER UNBAL. L/R [17] anschliessbar. Auch die Direktausgänge PRE/AFTER FADER [ae]/[af] sind auf asymmetrische Anschlüsse geführt.

### 3 Funktionsbeschreibung

---

3.1	Netzteil.....	1
3.2	Anzeige-Einheit .....	1
3.3	Eingangs-Einheit .....	2
3.4	Summen-Einheit .....	3
3.5	Abhör-Einheit.....	3
3.6	Ein-/Ausgangs-Einheit .....	4
3.7	Kontroll-Abhör-Einheit.....	5

### 3 Funktionsbeschreibung

#### 3.1 Netzteil

1.775.490

- Primäre Schaltkreise:  
Ein Pol der Netzspannung gelangt direkt zum Netztransformator. Der andere Pol wird zum Netzschalter (auf der Abhör-Platine) und über die Primär-Sicherung zum Netzspannungswähler und Transformator geführt.
- Wählbare Netzspannungen sind:  
100 V, 120 V, 140 V, 200 V, 220 V und 240 V,  $\pm 10\%$ , 50 ... 60 Hz.
- Sekundäre Schaltkreise:  
Folgende Spannungen stehen zur Verfügung:  
  - $\pm 15$  V Verstärkerspeisung
  - +11 V LED-Speisung der Anzeige-Platine
  - +48 V Mikrofon-Phantomspeisung
 Die Verstärkerspeisung ( $\pm 15$  V) wird mit zwei Serieregler stabilisiert. Die Ausgangsspannung dieser Regler wird mit Trimpotentiometern eingestellt. Der Längstransistor der Phantomspeisung (+48 V) sorgt nebst der Spannungsstabilisierung auch für das Ein- und Ausschalten der Spannung. Die Ausgangsspannung kann mit einem Trimpotentiometer verändert werden. Die Speisung der LED-Anzeigen (+11 V) wird nur durch einen Elektrolyt-Kondensator gesiebt und bleibt unregelt.

#### 3.2 Anzeige-Einheit

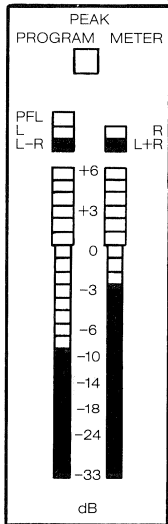
1.775.310

##### PPM:

- Stereo Peak Program Meter mit je 24 LED's und automatischer Helligkeitsregelung.  
  
 Bereiche:      +1 ... +6 dB in 1 dB Schritten (rot)  
                   -6 ...  0 dB in 1 dB Schritten (grün)  
                   -18 ... -7 dB in 2 dB Schritten (grün)  
                   -33 ... -19 dB in 3 dB Schritten (grün)
- Das Stereo-Peakmeter zeigt den Pegel der angewählten Abhörquelle an. MASTER, TAPE 1, TAPE 2, AUX RETURN werden in Stereo, PFL und AUX SEND in Mono angezeigt. Die Betriebsart wird automatisch umgeschaltet.
- Anzeige der Betriebsart:    MONO                    PFL (rote LED)  
                                   STEREO                L,R (rote LED's)  
                                   Korrelation    L-R, L+R (rote LED's)

**Korrelator:**

Wird die Taste DISPLAY MODE [v] gedrückt, so zeigt das linke Instrument das Stereoseitensignal (L-R) an, das rechte das Stereomittensignal (L+R). Durch Vergleich beider Anzeigen kann eine Abschätzung des Korrelationsgrades und damit der Monokompatibilität erfolgen. Der Korrelationsgrad zeigt die Gleichartigkeit der beiden Stereokanäle an.



Korrelation	Anzeige	Interpretation
+1	L << R	Die beiden Kanäle (L, R) sind gleich: Räumliche Abbildung in der Mitte (Mono).
0,3...0,7	L < R	Durchschnittliche Stereoprogramme; Anzeige links 6 ...8 dB kleiner als rechts.
0	L = R	Stereosignal mit 90° Phasenverschiebung oder inkohärente Signale.
< 0	L > R	Signale mit Phasenumkehrungen, nicht monokompatibel.
-1	L >> R	Die beiden Kanäle sind gleich aber mit 180° Phasendrehung.

Ein durchschnittliches Stereoprogramm ergibt einen Korrelationsgrad von ca. 0,3 ...0,7. Aufnahmen mit starken Mittensignalen (Solisten) erreichen noch höhere Werte. Eine ausgeprägte Verteilung der Instrumente auf die ganze Basisbreite dagegen senkt die Korrelation gegen Null. Negative Werte (Anzeige links höher als rechts) weisen auf Phasenumkehrungen im System hin.

**3.3 Eingangs-Einheit**

**1.775.420**

- Der asymmetrische Stereo-Eingang wird mit den symmetrischen Eingängen MIC und LINE BAL. auf den Eingangswahlschalter geführt. (Jegliche Schalter in diesem Gerät sind elektronisch realisiert).
- Das Trittschallfilter (BASS CUT) kann dem Mikrofoneingang zugeschaltet werden. Die Eingangspegelregler haben einen Bereich von -20 ...+16 dB. Für den Mikrofoneingang sind die Pegelregler hintereinander geschaltet. Daraus ergibt sich ein Regelbereich von -36 ... +36 dB. Über die Klangreglung gelangt das Signal zu den VCA's, die mittels Flachbahnregler über den Buffer angesteuert werden. Der Regelbereich eines VCA beträgt -70 ... +10 dB.
- Um einen guten Gleichlauf der Stereo-Flachbahnregler zu erreichen, sind die entsprechenden Stellglieder mit dbx-VCA realisiert. Der Flachbahnregler besteht aus einem linearen Schiebepotentiometer, welches eine DC-Spannung an den VCA liefert. Die Konversion linear ÷ dB-linear besorgt der VCA. Den Abschluss der Eingangsschaltung bildet das Panorama- bzw. Balancepotentiometer (STEREO UNBAL.). Bei Mono-Betrieb werden die Eingangsschaltungen beider Kanäle zur Bildung eines symmetrischen Eingangs herangezogen, die weitere Verarbeitung erfolgt dann im linken Kanal. Die Signale PF (Abgriff vor dem Regler) oder AF (Abgriff nach dem Regler) werden über die Summierverstärker auf die 0 dB-Trennverstärker am Ausgang geführt. Das über den AUX-Schalter geschaltete Signal wird durch den AUX-Regler im Pegel verändert und der AUX-Sammelschiene zugeführt. Das Vorabhörsignal wird vor dem Flachbahnregler über den PFL-Schalter auf die PFL-Sammelschiene geschaltet.



### 3.4 Summen-Einheit

1.775.430

<b>AUX SEND</b>	Um ein externes Gerät einschlaufen zu können, ist auf der Summen-Einheit ein zusätzlicher Ein-/Ausgang (AUX SEND, AUX RETURN) realisiert. Von der Hilfs-Sammelschiene über den Summierverstärker gelangt das SEND-Signal zum Potentiometer [k], mit welchem der Ausgangspegel eingestellt wird. Zugleich besteht die Möglichkeit das SEND-Signal vom Pegelregler auf den Abhörausgang zu schalten (AUX-SEND, Taste [o]).
<b>AUX RETURN</b>	Das stereofone RETURN-Signal wird über das Potentiometer [l] auf die Summen-Sammelschiene geführt. Auch hier ist es möglich mit der AUX-RETURN-Taste [p] das Signal auf den Abhörausgang zu schalten.
<b>MASTER Fader</b>	Die Summierverstärker bilden den Abschluss der Summen-Sammelschiene. Die Regelung des Summensignals erfolgt ebenfalls durch VCA-Stufen, die gleich realisiert sind wie bei der Eingangseinheit.
<b>Ausgänge</b>	Das Mischpult ist mit zwei asymmetrischen (2×Master, Stereo) und vier symmetrischen Ausgängen ausgestattet (2×Master, Stereo; 1×Monitor, Stereo; 1×AUX Send, Mono). Der stereofone Summenausgang [16] ist elektronisch symmetriert, während Ausgang [34] mit Trafos erdfrei realisiert wurde. Der Ausgangspegel dieser Ausgänge wird mit dem Schiebeschalter [14] eingestellt: <ul style="list-style-type: none"> <li>■ BALANCED: +6 dBu/+10 dBu/+14 dBu</li> <li>■ UNBALANCED: 0 dBu/+4 dBu/+8 dBu</li> </ul>

### 3.5 Abhör-Einheit

1.775.450

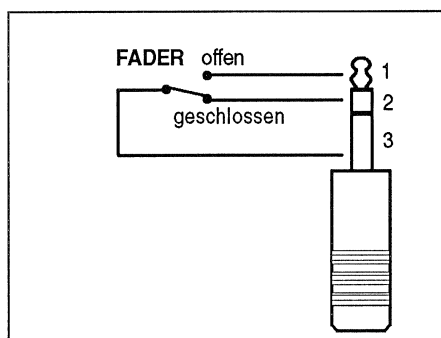
<b>Talk Back</b>	Mit dem eingebauten Mikrofon [11] können Informationen direkt auf die Summen- oder Hilfs-Sammelschiene gesprochen werden. Nach den Verstärkern kann der Ausgangspegel mit dem Lautstärke-Potentiometer [w] beeinflusst werden. Für eine Durchsage auf die Summen-Sammelschiene sind beide TALK BACK-Tasten SLATE zu drücken. Wird nur eine Taste betätigt, so erfolgt keine Durchschaltung. Für eine Durchsage auf die Hilfs-Sammelschiene ist die TALK BACK-Taste AUX zu drücken.
<b>Abhörquelle</b>	Mit den Tasten [n] ...[s] erfolgt die Wahl der Abhörquelle. Sie gilt sowohl für den eingebauten Monitorlautsprecher wie auch für den Monitorausgang [24]. Auf das Summensignal haben diese Tasten keinerlei Einfluss.
<b>Interner Monitor</b>	Die rechte und linke Abhör-Sammelschiene sind über Summierverstärker und Umkehrstufen Stereo auf die Kopfhörerbuchse [aa] und Mono auf den Lautsprecher [10] geschaltet. Mit dem Potentiometer [z] kann die Abhörlautstärke verändert werden. Beim Anschluss eines Kopfhörers wird der eingebaute Lautsprecher ausgeschaltet.
<b>Monitor-Ausgang</b>	Die Abhör-Sammelschiene führt nach den Summierverstärkern über den Lautstärkereger [t] auf den Abhörausgang [24]. Zu beachten ist, dass die Funktion MONITOR CUT beim Öffnen eines Eingangsfaders den Monitorausgang stummschaltet. Diese Funktion ist am DIP-Schalter [41] für jeden Kanal einzeln einstellbar (vgl. Seite D 1/6).

## 3.6 Ein-/Ausgangs-Einheit

1.775.460

## Faderstart

- Die Flachbahnregler-Startlogik ist bei Eingangs- und Summen-Einheiten identisch.
- Der Flachbahnregler in den einzelnen Eingangskanälen oder in der Summeneinheit erzeugt die VCA-Steuerspannung zwischen 0 und +5 V. Diese Spannung wird auch zur Steuerung der Flachbahnregler-Startlogik benutzt. Sie wird in IC 9 sehr hoch verstärkt (Faktor 1000); daher genügt schon eine geringe Spannung vom Flachbahnregler (kleiner Öffnungsweg) um am Ausgang von IC 9 die für die Startlogik erforderliche Spannung zu erzeugen. Ein weiteres Anwachsen wird dann durch die Diode D 5 begrenzt.
- Bei geöffnetem Flachbahnregler zieht das Startrelais daher an, bei geschlossenem fällt es ab.
- Die Kontakte der FADER START Klinkenbuchsen (3,5 mm, stereo) werden durch Relais gemäss untenstehender Figur geschaltet. Der gemeinsame Kontakt '3' ist von der Mischpultmasse galvanisch getrennt.



Entsprechender Flachbahnregler **geöffnet**:

- Kontakt 1 an Kontakt 3
- Kontakt 2 frei
- Kontakt 3 Wechselkontakt (Wurzel)

Entsprechender Regler **geschlossen**:

- Kontakt 1 frei
- Kontakt 2 an Kontakt 3
- Kontakt 3 Wechselkontakt (Wurzel)

## INPUT Tape 1 + 2

- An den Stereo-Eingängen TAPE 1 oder TAPE 2 (XLR Buchsen, symmetrisch) kann ein symmetrisches Hochpegelsignal direkt angeschlossen werden.
- Die beiden Tape-Eingänge haben reine Monitorfunktion. Sie können nicht auf das Summensignal einspeisen. Durch Drücken der Tasten [q] oder [r] der Kontroll-Abhör-Einheit kann das Tape-Signal direkt der Abhör-Sammelschiene aufgeschaltet und abgehört werden.

## OUTPUT Tape 1 + 2

- Die Signale der symmetrischen Tape-Eingänge stehen an den Ausgängen TAPE 1 und TAPE 2 asymmetriert zur Verfügung. Von hier können sie über CINCH-CINCH Verbindungskabel einem beliebigen asymmetrischen Eingang (STEREO) zugeführt werden.

Die Ein- und Ausgänge TAPE 1 + 2 können universell als Übertrager für den Anschluss symmetrischer Hochpegelquellen an asymmetrische HiFi-Geräte eingesetzt werden.

**Kopplung zweier A779**

- Um zwei Pulte A779 miteinander zu koppeln, werden die Buchsen BUS EXPANSION [33] miteinander verbunden. Die Lage der beschrifteten Stecker am Verbindungskabel legt dabei fest, welches Pult Master oder Slave ist. Vom Slave-Pult werden die Sammelschienen Master, AUX und PFL unter Umgehung der Masterregler direkt auf die entsprechenden Busse des Masterpultes geführt. Die Funktion Monitor-Cut des Slave-Pultes ist nicht nutzbar.

**VCA-Option**

- Dieses Mischpult ist als Option für eine externe VCA-Steuerung vorbereitet, beispielsweise zum Anschluss an den Video-Schnittplatz BVE 900. Dazu sind die D-Typ Buchse VCA-CONTROL [32] und ein Interface-Print (1.775.480.00) eingebaut.

**3.7 Kontroll-Abhör-Einheit****1.775.470**

Über die Tasten [n] ...[s] kann jeweils eine Signalquelle auf die Abhör-Sammelschiene geschaltet werden. Wird PFL gewählt, muss zusätzlich mindestens eine PFL-Taste eines Eingangs gedrückt sein. Es bestehen folgende Abhörmöglichkeiten: PFL, AUX Send, AUX Return, TAPE 1, TAPE 2, MASTER.

Das Potentiometer VOLUME [t] regelt den Pegel des Monitor-Ausganges. Abhörlautsprecher und Kopfhörer werden mit dem Regler PHONES [z] eingestellt.

## 4 Demontageanleitung

---

---

<b>4.1 Allgemeine Hinweise .....</b>	<b>1</b>
4.1.1 Benötigtes Werkzeug .....	1
4.1.2 Zusammenbau .....	1
<b>4.2 Gehäuse .....</b>	<b>2</b>
4.2.1 Ein-/Ausgangs-Einheit vom Mischpult trennen .....	2
4.2.2 Unteres Deckblech .....	2
4.2.3 Seitenblenden .....	2
4.2.4 Gehäuse-Rückwand (Anschlussfeld) .....	2
<b>4.3 Elektronische Baugruppen .....</b>	<b>4</b>
4.3.1 Ein-/Ausgangs-Platine .....	4
4.3.2 Netzteil .....	4
4.3.3 Eingangs-Platine .....	4
4.3.4 Summen-Platine .....	6
4.3.5 Mikrofon-Platine .....	6
4.3.6 Kontroll-Abhör-Platine .....	6
4.3.7 Abhör-Platine und Lautsprecher .....	6
4.3.8 Anzeige-Einheit .....	8
4.3.9 Netztransformator .....	8
4.3.10 Anschluss-Platine .....	8
4.3.11 Primär-Sicherung .....	8
4.3.12 Sekundär-Sicherungen .....	8

## 4 Demontageanleitung

---

---

### 4.1 Allgemeine Hinweise

---



**Achtung:** Vor dem Entfernen von Gehäuseteilen und elektronischen Baugruppen muss das Gerät vom Netzanschluss getrennt werden!

**Hinweis:** Bei Aus- und Einbauarbeiten elektronischer Komponenten sind die eingangs dieser Serviceanleitung aufgeführten Richtlinien zur Behandlung von MOS-Bauteilen zu beachten.

#### 4.1.1 Benötigtes Werkzeug

---

- 1 Kreuzschlitz-Schraubendreher, Grösse 1
- 1 Kreuzschlitz-Schraubendreher, Grösse 2
- 1 Kreuzschlitz-Schraubendreher „Pozidriv“, Grösse 1
- 1 Kreuzschlitz-Schraubendreher „Pozidriv“, Grösse 2
- 1 Schraubendreher, Grösse 00
- 1 Pinzette,
- 1 Flachzange,
- 1 ESE-Arbeitsplatzausrüstung,

Best.Nr.: 20.020.001.44

**Empfehlung:** Den Arbeitsplatz so vorbereiten, dass Beschädigungen und Kratzspuren am Gerät vermieden werden.

#### 4.1.2 Zusammenbau

---

Der Zusammenbau erfolgt sinngemäss in umgekehrter Reihenfolge der nachstehend beschriebenen Ausbau-Anleitungen, unter Beachtung der angeführten Montagehinweise.

## 4.2 Gehäuse

---

### 4.2.1 Ein-/Ausgangs-Einheit vom Mischpult trennen

---

- Die vier Befestigungsschrauben Fig. 1 [1] lösen.
- Die Ein-/Ausgangs-Einheit an der Anschlussseite leicht anheben und die drei (bei optionaler VCA Control: vier) Verbindungskabel ausstecken.
- Die Einheit nach hinten wegziehen.

### 4.2.2 Unteres Deckblech

---

- An der Gehäuse-Unterseite die 3 Schrauben Fig. 2 [2] lösen und das Deckblech entfernen.

### 4.2.3 Seitenblenden

---

- Je 2 Schrauben Fig. 3 [3] lösen.

### 4.2.4 Gehäuse-Rückwand (Anschlussfeld)

---

- Obere Zierleiste Fig. 3 [4] entfernen (3 Schrauben [5]).
- Ein-/Ausgangs-Einheit vom Mischpult trennen (Abschnitt 4.2.1).
- Unteres Deckblech entfernen (Abschnitt 4.2.2).
- Seitenblenden entfernen (Abschnitt 4.2.3).
- Netzteil entfernen (Abschnitt 4.3.2).
- Steckverbindungen lösen:
  - 6 Verbindungen Eingangs-Platine → Anschluss-Platine
  - 1 Verbindung Summen-Platine → Anschluss-Platine
  - 1 Verbindung Abhör-Platine → Anschluss-Platine
  - 1 Verbindung Anzeige-Platine → Anschluss-Platine
- An der Gehäuse-Rückwand 6 Schrauben Fig. 3 [6] entfernen.
- Die Gehäuse-Rückwand kann zusammen mit der Anschluss-Platine vorsichtig entfernt werden.

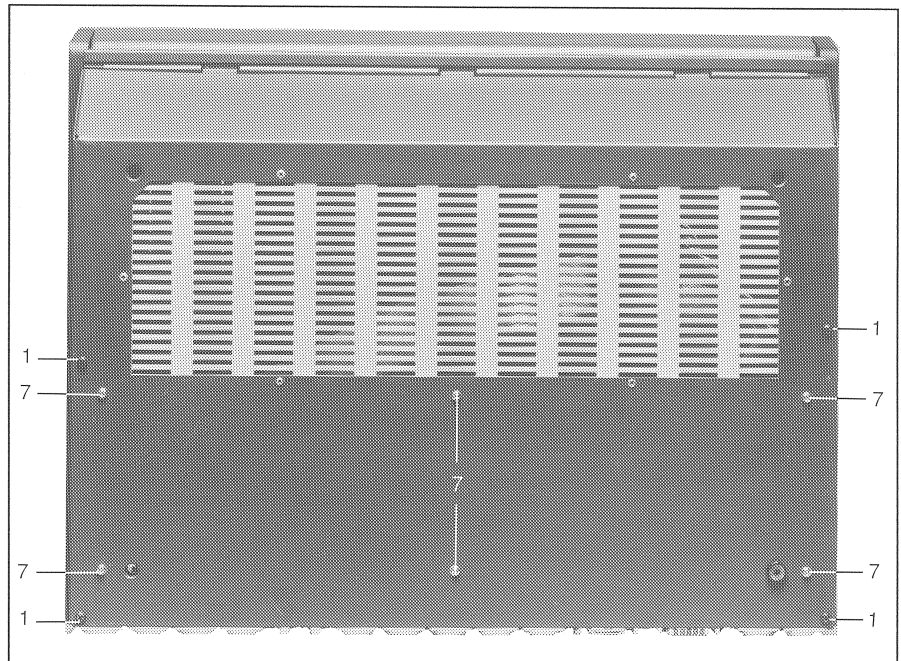


Fig. 1

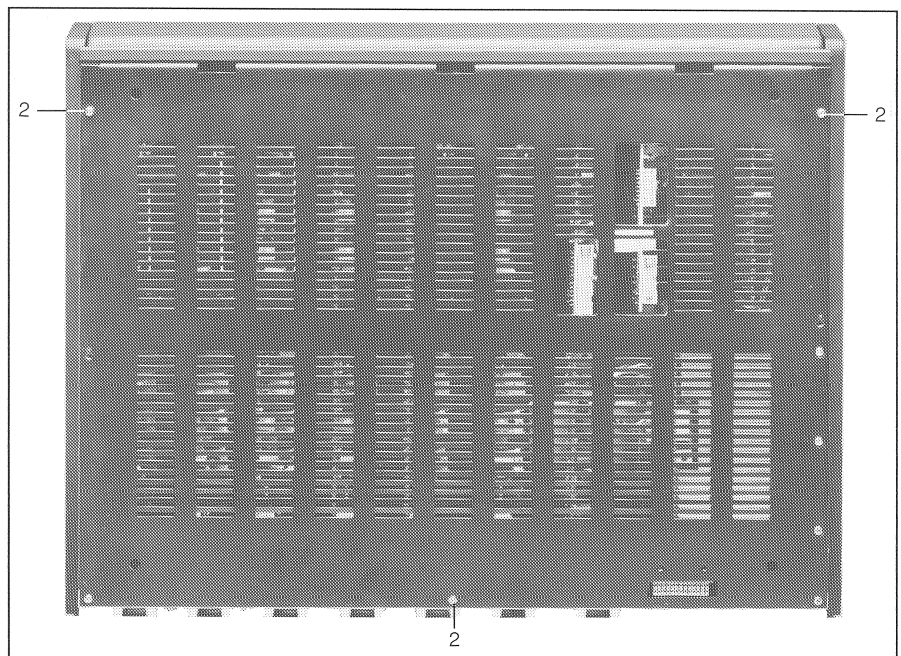


Fig. 2

## 4.3 Elektronische Baugruppen

---

### 4.3.1 Ein-/Ausgangs-Platine 1.775.460

---

- Ein-/Ausgangs-Einheit vom Mischpult trennen (Abschnitt 4.2.1).
- 6 Schrauben Fig. 1 [7] entfernen.
- Mit einem Schraubendreher Grösse 00 die Gehäuse der XLR-Stecker und -Buchsen lösen. (Schraubendreher beim vierten Loch einstecken und die Verriegelung durch eine leichte Linksdrehung lösen).
- Die zwei Schrauben Fig. 4 [8] pro XLR-Buchse leicht lösen.
- Die Schraube Fig. 4 [9] entfernen.
- Die Ein-/Ausgangs-Platine vorsichtig nach hinten aus dem Gehäuse ziehen.

### 4.3.2 Netzteil 1.775.490

---

- Ein-/Ausgangs-Einheit vom Mischpult trennen (Abschnitt 4.2.1).
- Unteres Deckblech entfernen (Abschnitt 4.2.2).
- Steckverbindungen lösen:
  - 1 Verbindung Netzteil --> Anzeige-Platine
  - 1 Verbindung Abhör-Platine --> Anschluss-Platine
  - 1 Verbindung Netzteil --> Netztransformator
- 3 Schrauben Fig. 5 [10] lösen.
- Netzteil vorsichtig aus der Anschluss-Platine ausziehen.

### 4.3.3 Eingangs-Platine 1.775.420

---

- Bedienungsknöpfe der auszubauenden Einheit entfernen. Der Knopf AUX kann nicht wie die anderen Knöpfe einfach abgezogen werden, er muss vorher, nach Entfernen des gelben Deckels, mit einem Schraubendreher gelöst werden.
- Ein-/Ausgangs-Einheit vom Mischpult trennen (Abschnitt 4.2.1).
- Unteres Deckblech entfernen (Abschnitt 4.2.2).
- Steckverbindungen lösen:
  - 1 Verbindung Eingangs-Platine --> Anschluss-Platine
  - 1 oder 2 Verbindungen Eingangs-Platine --> Eingangs- oder Summen-Platine
- 3 Schrauben Fig. 5 [11] lösen.



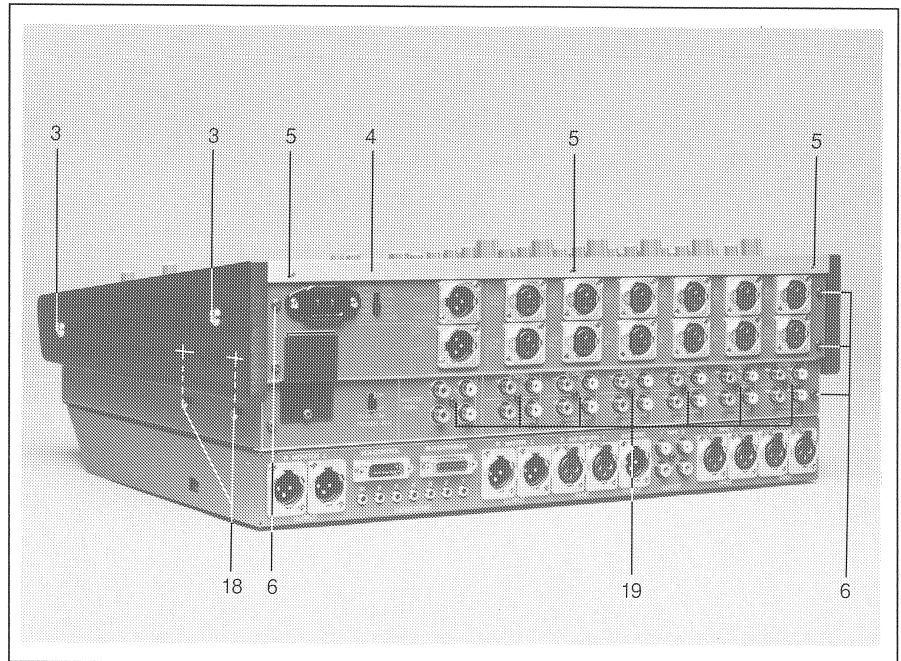


Fig. 3

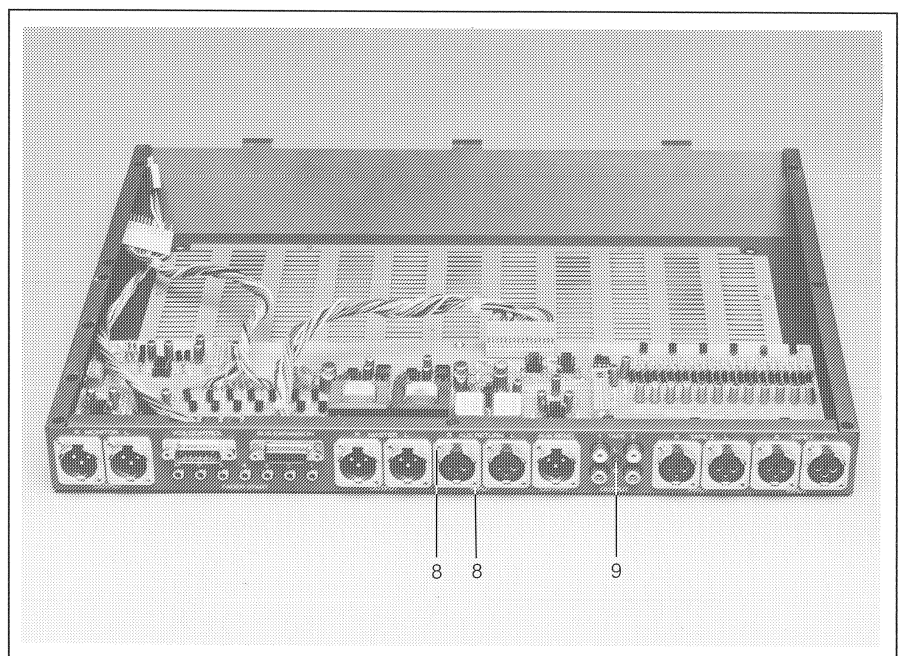


Fig. 4

#### 4.3.4 Summen-Platine 1.775.430

---

- Bedienungsknöpfe der Summen-Einheit entfernen. Sie können einfach abgezogen werden.
- Ein-/Ausgangs-Einheit vom Mischpult trennen (Abschnitt 4.2.1).
- Unteres Deckblech entfernen (Abschnitt 4.2.2).
- Steckverbindungen lösen
  - 1 Verbindung Summen-Platine --> Anschluss-Platine
  - 1 Verbindung Summen-Platine --> Eingangs-Platine
  - 1 Verbindung Summen-Platine --> Abhör-Platine
  - 1 Verbindung Summen-Platine --> Kontroll-Abhör-Platine
- 2 Schrauben Fig. 5 [12] lösen.

#### 4.3.5 Mikrophon-Platine 1.775.440

---

- Ein-/Ausgangs-Einheit vom Mischpult trennen (Abschnitt 4.2.1).
- Unteres Deckblech entfernen (Abschnitt 4.2.2).
- 1 Schraube Fig. 5 [13] lösen.
- Mikrophon-Platine vorsichtig aus der Abhör-Einheit ziehen.

#### 4.3.6 Kontroll-Abhör-Platine 1.775.470

---

- Lautstärkeknopf [t] abziehen.
- Ein-/Ausgangs-Einheit vom Mischpult trennen (Abschnitt 4.2.1).
- Unteres Deckblech entfernen (Abschnitt 4.2.2).
- Steckverbindungen lösen:
  - 1 Verbindung Kontroll-Abhör-Platine --> Summen-Platine  
(Zusätzlicher Stecker, wenn optionale VCA Control eingebaut ist).
- 2 Schrauben Fig. 5 [14] lösen.

#### 4.3.7 Abhör-Platine 1.775.450 und Lautsprecher

---

- Bedienungsknöpfe der Abhör-Einheit entfernen. Sie können einfach abgezogen werden.
- Ein-/Ausgangs-Einheit vom Mischpult trennen (Abschnitt 4.2.1).
- Unteres Deckblech entfernen (Abschnitt 4.2.2).
- Netzteil entfernen (Abschnitt 4.3.2).
- Mikrophon-Platine entfernen (Abschnitt 4.3.5).
- Steckverbindungen lösen:
  - 1 Verbindung Abhör-Platine --> Summen-Platine
  - 1 Verbindung Abhör-Platine --> Anschluss-Platine
  - 1 Verbindung Abhör-Platine --> Netztransformator
- 2 Schrauben Fig. 5 [15], Fig. 6 [15] lösen.
- Am Lautsprecher die 3 Schrauben Fig. 6 [16] lösen und die Klemmhülsen von den Mutterbolzen entfernen.
- Abhör-Platine zusammen mit Lautsprecher entfernen.

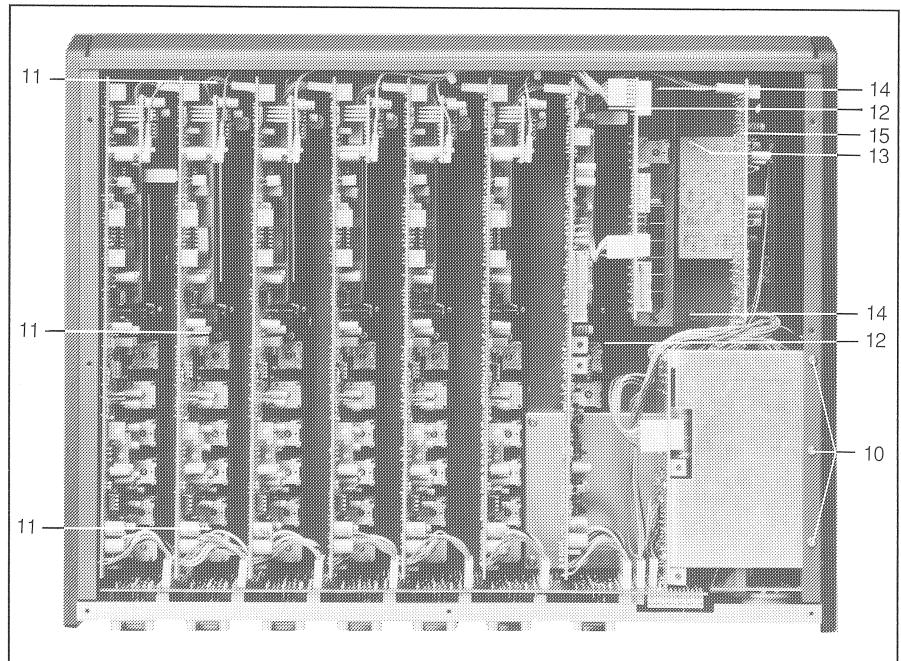


Fig. 5

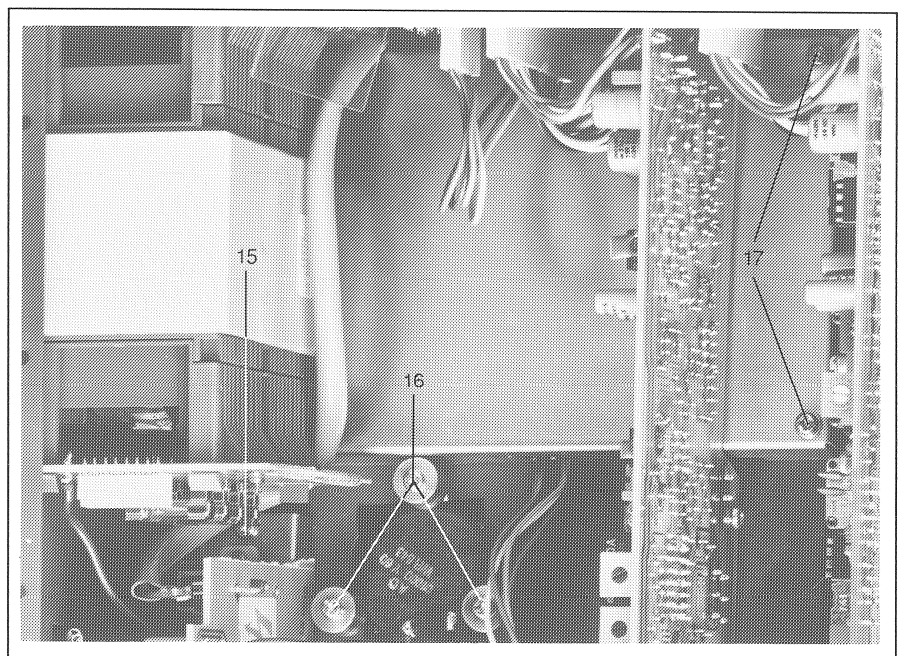


Fig. 6

#### 4.3.8 Anzeige-Einheit 1.775.310

---

- Ein-/Ausgangs-Einheit vom Mischpult trennen (Abschnitt 4.2.1).
- Unteres Deckblech entfernen (Abschnitt 4.2.2).
- NETZTEIL entfernen (Abschnitt 4.3.2).
- Summen-Platine entfernen (Abschnitt 4.3.4).
- Netztransformator entfernen (Abschnitt 4.3.9).
- 2 Schrauben Fig. 6 [17] lösen. Abschirmblech und Anzeige-Einheit können entfernt werden.

#### 4.3.9 Netztransformator

---

- Ein-/Ausgangs-Einheit vom Mischpult trennen (Abschnitt 4.2.1).
- Unteres Deckblech entfernen (Abschnitt 4.2.2).
- NETZTEIL entfernen (Abschnitt 4.3.2).
- Rechte Seitenblende entfernen (Abschnitt 4.2.3).
- Deckel zum Netzspannungswähler öffnen.
- Steckverbindungen lösen:
  - 2 Verbindungen: Netztransformator → Gerätestecker
  - 2 Verbindungen: Netztransformator → ABHÖR-PLATINE
- 4 Schrauben Fig. 3 [18] lösen (Zwei der Schrauben unter der Seitenblende).

#### 4.3.10 Anschluss-Platine 1.775.410

---

- Ein-/Ausgangs-Einheit vom Mischpult trennen (Abschnitt 4.2.1).
- Unteres Deckblech entfernen (Abschnitt 4.2.2).
- Gehäuse-Rückwand (Anschlussfeld) entfernen (Abschnitt 4.2.4).
- Mit einem Schraubendreher (Grösse 00) die Gehäuse der XLR-Stecker und -Buchsen lösen. (Schraubendreher beim vierten Loch einstecken und die Verriegelung durch eine leichte Linksdrehung lösen.) Das obere Blech vorsichtig entfernen.
- 7 Schrauben Fig. 3 [19] lösen und das untere Blech entfernen.

**Montagehinweis:** Darauf achten, dass sich das obere Blech bei der Montage nicht verkantet.

#### 4.3.11 Primär-Sicherung

---

- Deckel zum Netzspannungswähler öffnen.
- Die Primär-Sicherung ist zugänglich.

#### 4.3.12 Sekundär-Sicherungen

---



- Ein-/Ausgangs-Einheit vom Mischpult trennen (Abschnitt 4.2.1).
- Unteres Deckblech entfernen (Abschnitt 4.2.2).
- NETZTEIL entfernen (Abschnitt 4.3.2).
- Die Sekundär-Sicherungen sind zugänglich.  
(siehe Bestückungsplan 1.775.210 / 220)

---

## 5 Abgleichanleitung

---

<b>5.1 Allgemeine Hinweise</b> .....	1
5.1.1 Entmagnetisieren der Mikrofon-Eingangübertrager .....	2
5.1.2 Benötigte Messgeräte .....	2
5.1.3 Vorbereitungen.....	3
<b>5.2 Netzteil</b> .....	3
5.2.1 Phantomspeisung .....	3
5.2.2 +15 V-Speisung .....	3
5.2.3 - 15 V-Speisung.....	3
<b>5.3 Eingangs-Einheit</b> .....	4
5.3.1 Eingangspegel .....	4
5.3.2 Eingangsklirrfaktor .....	4
5.3.3 Eingangs-Flachbahnregler .....	5
<b>5.4 Summen-Platine</b> .....	5
5.4.1 Summen-Flachbahnregler .....	5
5.4.2 Summenklirrfaktor .....	5
<b>5.5 Anzeige-Einheit</b> .....	6
5.5.1 Aussteuerungsanzeige .....	6
<b>5.6 Messen der Audio Daten</b> .....	6
5.6.1 Klirrfaktor .....	7
5.6.2 Ausgangspegel und Kanalgleichheit.....	7
5.6.3 Frequenzgang .....	7
5.6.4 Übersprechdämpfung.....	8
5.6.5 Fremdspannungsabstand .....	8

## 5 Abgleichanleitung

### 5.1 Allgemeine Hinweise

#### Pegeldefinitionen

Pegelangaben erfolgen in dBu.

$$0 \text{ dBu} \cong 0,775 \text{ V}_{\text{eff}}$$

- Nennpegelangaben in dBu basieren ausschliesslich auf einem festgelegten Spannungswert als Bezugsgrösse:
- Die Bezugsgrösse 0,775 V des relativen Spannungspegels in dBu wurde von der Wertdefinition des absoluten Spannungspegels in dBu übernommen; jedoch ohne Bindung an die Definition (600 $\Omega$ /1 mW).

Nennpegel = Studiopegel bei Vollaussteuerung

- Der Nennpegel (auch Leitungspegel) entspricht dem Studiopegel bei Vollaussteuerung.

Typische Nennpegel sind:

+ 6 dBu	$\cong$	1,55	$\text{V}_{\text{eff}}$
+10 dBu	$\cong$	2,45	$\text{V}_{\text{eff}}$
+14 dBu	$\cong$	3,88	$\text{V}_{\text{eff}}$

**Vorsicht:**

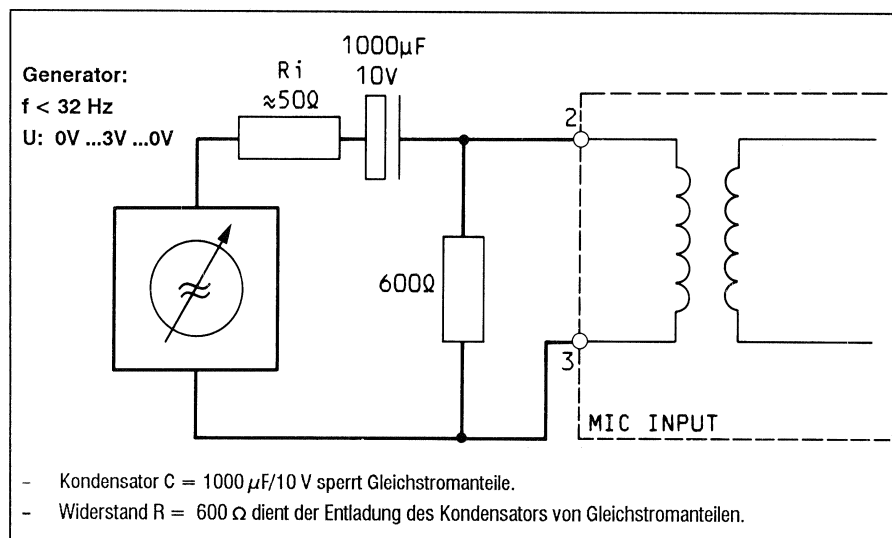
Elektrisierungsgefahr bei geöffnetem Gerät!  
Teile im Gerät führen Netzspannung.

- Von STUDER REVOX angelieferte Module können ohne Abgleicharbeiten in das Gerät eingesetzt werden. Ein erneutes Einmessen des Mischpultes ist nur nach Änderungen an den einzelnen Modulen erforderlich. Eine turnusgemässe Wartungseinmessung wird bei dieser Generation von Mischpulten nicht mehr beansprucht. Einzige Wartungsmassnahme bleibt das nachfolgend beschriebene gelegentliche Entmagnetisieren der Eingangsübertrager.

### 5.1.1 Entmagnetisieren der Mikrofon-Eingangübertrager

- Unerlaubtes Anschliessen asymmetrischer Eingangsquellen, oder unbeabsichtigter Massschluss der a/b-Tonadern der Mikrofoneingänge mit zugeschalteter Phantomspeisung, treiben die Eingangübertrager in die Sättigung und bewirken deren permanente Magnetisierung (Remanenz). Dies äussert sich nachteilig mit stark erhöhtem Klirrfaktor und dem sogenannten Mikrofonie-Effekt: Leichte mechanische Einwirkungen auf das Mischpult, z.B. das Antippen, bewirken eine hörbare Modulation über die Ausgänge, auch bei unbenutzten Mikrofoneingängen.
- Remanenz kann sich auch im Laufe einer längeren Betriebsdauer in den Übertragern kumulieren.
- Es empfiehlt sich deshalb, alle Mikrofon-Eingänge periodisch, und vor Einmessvorgängen, zu entmagnetisieren:

- Vorgehen:**
- Das Mischpult ausschalten.  
(Zum Schutze angeschlossener Lautsprecher).
  - Am Mikrofoneingang über einen Trennkondensator mit einem NF-Generator eine Frequenz von  $< 32$  Hz einspeisen.



- Einspeisepegel sukzessive von 0 V auf 3 V erhöhen.
- Einspeisepegel langsam auf 0 V zurückregeln.

### 5.1.2 Benötigte Messgeräte

- Digitalvoltmeter
- NF-Voltmeter,  $R_{in} \geq 10k\Omega$
- NF-Generator,  $R_s \leq 200\Omega$
- Klirrfaktor-Messgerät

---

### 5.1.3 Vorbereitungen

---

- Das Gerät vom Netz trennen
- Ein-/Ausgangs-Gehäuse vom Mischpult trennen (Abschnitt 4.2.1)
- Unteres Deckblech entfernen (Abschnitt 4.2.2).
- Alle Flachbahnregler in die Stellung  $-\infty$ , die Klangregler (Höhen- und Tiefenregler) in Mittelstellung und die Eingangswahlschalter in die Stellung STEREO bringen.
- Das Gerät auf eine Seitenwand stellen.
- Das Gerät wieder ans Netz anschliessen.

---

## 5.2 Netzteil

---

1.775.490

---

### 5.2.1 Phantomspeisung

---

- Das Netzteil 1.775.490 ausbauen (Abschnitt 4.3.2).
- Die Steckverbindung Netzteil --> Netztransformator bestehen lassen.
- Das Digitalvoltmeter an Steckerpunkt P2 Pin 1 (0 V) und P2 Pin 5 (+48 V) anschliessen.
- Das Gerät einschalten.
- Die Spannung mittels dem Trimpotentiometer **RA3** auf +48 V einstellen.
- Das Gerät ausschalten und das Netzteil wieder einbauen.

---

### 5.2.2 +15 V-Speisung

---

- Das Digitalvoltmeter auf der Summen-Einheit 1.775.430 an J1 Pin 2 (0 V) und J1 Pin 1 anschliessen.
- Das Gerät einschalten.
- Die Spannung auf dem Netzteil 1.775.490 mittels dem Trimpotentiometer **RA2** auf +340 mV  $\pm$ 1 mV abgleichen.

---

### 5.2.3 -15 V-Speisung

---

- Das Digitalvoltmeter auf der Summen-Einheit 1.775.430 an J1 Pin 2 (0 V) und J1 Pin 9 anschliessen.
- Das Gerät einschalten.
- Die Spannung auf dem Netzteil 1.775.490 mittels dem Trimpotentiometer **RA1** auf -65 mV  $\pm$ 0,5 mV abgleichen.



---

## 5.3 Eingangs-Einheit

1.775.420

---

---

### 5.3.1 Eingangspegel

---

- Den Eingangswahlschalter [a] in die Position STEREO bringen.
  - Den Eingangspegelregler [b] auf 0 dB Position stellen.
- Stereo-Eingang links**
- Am asymmetrischen Eingang STEREO L [ad] links mit dem NF-Generator 1kHz/0 dBu (775 mV<sub>eff</sub>) einspeisen.
  - Voltmeter am Ausgang PRE FADER [af] anschliessen (Bereich 0dB/1 V).
  - Mit dem Trimpotentiometer **RA11** den PRE FADER-Ausgang auf -6 dBu (388 mV<sub>eff</sub>) abgleichen.
- Stereo-Eingang rechts**
- Am asymmetrischen Eingang STEREO R [ad] rechts mit dem NF-Generator 1 kHz/0 dBu (775 mV<sub>eff</sub>) einspeisen.
  - Mit dem Trimpotentiometer **RA12** den Ausgang PRE FADER [af] auf -6dBu (388 mV<sub>eff</sub>) abgleichen.
- Mono-Eingang**
- Den Eingangswahlschalter [a] in die Position MONO bringen.
  - Am symmetrischen Line Eingang MONO [ac] mit dem NF-Generator 1kHz/+6 dBu (1,55 V<sub>eff</sub>) einspeisen.
  - Mit dem Trimpotentiometer **RA13** den Ausgang PRE FADER [af] auf 0 dBu (775 mV<sub>eff</sub>) abgleichen.

---

### 5.3.2 Eingangsklirrfaktor

---

- Den Eingangswahlschalter [a] in die Position STEREO bringen.
  - Den Eingangspegelregler [b] auf 0 dB Position stellen.
- Linker Kanal**
- Am asymmetrischen Eingang STEREO L [ad] links mit dem NF-Generator 1kHz/0 dBu (775 mV<sub>eff</sub>) einspeisen.
  - Voltmeter am Ausgang AFTER FADER [ae] anschliessen (Bereich 0 dB/1 V).
  - Mit dem Eingangs-Flachbahnregler [h] auf -6 dBu (388 mV<sub>eff</sub>) abgleichen.
  - Das Klirrfaktor-Messgerät am Ausgang AFTER FADER [ae] anschliessen.
  - Mit dem Trimpotentiometer **RA4** auf minimalen Klirr abgleichen.
- Rechter Kanal**
- Am asymmetrischen STEREO Eingang R [ad] rechts mit dem NF-Generator 1kHz/0 dBu (775 mV<sub>eff</sub>) einspeisen.
  - Voltmeter am Ausgang AFTER FADER [ae] anschliessen (Bereich 0dB/1V).
  - Mit dem Eingangs-Flachbahnregler [h] auf -6 dBu (388 mV<sub>eff</sub>) abgleichen.
  - Das Klirrfaktor-Messgerät am Ausgang AFTER FADER [ae] anschliessen.
  - Mit dem Trimpotentiometer **RA3** auf minimalen Klirr abgleichen.

### 5.3.3 Eingangs-Flachbahnregler

---

- Am asymmetrischen Eingang STEREO L [ad] links mit dem Generator 1kHz/0 dBu (775 mV<sub>eff.</sub>) einspeisen.
- Voltmotor am Ausgang AFTER FADER [ae] anschliessen (Bereich 0dB/1 V).
- Den Eingangswahlschalter [a] in die Position STEREO bringen.
- Flachbahnregler [h] auf 0 dB einstellen.
- Mit dem Eingangspegelregler [b] auf 0 dBu (775 mV<sub>eff.</sub>) abgleichen.
- Flachbahnregler auf -60 dB Position stellen und mit Trimmer **RA14** den Ausgang AFTER FADER [ae] auf -60 dBu einstellen.

## 5.4 Summen-Einheit

---

1.775.430

### 5.4.1 Summen-Flachbahnregler

---

- Am asymmetrischen Eingang STEREO L wie unter Punkt 5.3.3 beschrieben 1kHz/0dBu (775 mV<sub>eff.</sub>) einspeisen.
- Flachbahnregler [h] auf 0 dB Position stellen.
- Voltmeter an Summenausgang UNBAL [17] anschliessen (Bereich 0dB/1V).
- Summenflachbahnregler [m] auf 0 dB Position stellen.
- Mit dem Eingangspegelregler [b] auf 0 dBu (775 mV<sub>eff.</sub>) abgleichen.
- Summenflachbahnregler auf -60 dB Position stellen und mit Trimmer **RA6** auf -60 dBu einstellen.

### 5.4.1 Summenklirrfaktor

---

#### Linker Kanal

- Zuerst müssen die sechs Eingangs-Einheiten abgeglichen werden. Die Flachbahnregler der Eingänge [2] ... [6] sind in die Stellung  $-\infty$  zu bringen.
- Am asymmetrischen Eingang STEREO L [ad] links mit dem Generator 1kHz/0dBu (775 mV<sub>eff.</sub>) einspeisen.
- Voltmeter an Summe UNBAL L [17] links anschliessen (Bereich 0dB/1V).
- Den Eingangswahlschalter [a] in die Position STEREO bringen.
- Eingangs- und Summenflachbahnregler [h und m] auf 0 dB Position stellen.
- Mit dem Eingangspegelregler [b] auf 0 dBu (775 mV<sub>eff.</sub>) abgleichen.
- Das Klirrfaktor-Messgerät am Summenausgang UNBAL L [17] links anschliessen.
- Mit dem Trimpotentiometer **RA1** auf minimalen Klirr abgleichen.

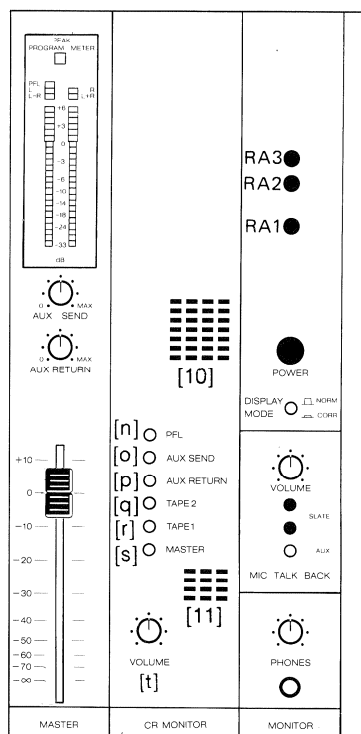
## Rechter Kanal

- Am asymmetrischen Eingang STEREO R [ad] rechts mit dem Generator 1kHz/0dBu (775 mV<sub>eff</sub>) einspeisen.
- Voltmeter an Summe UNBAL R [17] rechts anschliessen (Bereich 0dB/1V).
- Den Eingangswahlschalter [a] in die Position STEREO bringen.
- Eingangs- und Summenflachbahnregler [h und m] auf 0 dB Position stellen.
- Mit dem Eingangspegelregler [b] auf 0 dBu (775 mV<sub>eff</sub>) abgleichen.
- Das Klirrfaktor-Messgerät an Summe UNBAL R [17] rechts anschliessen.
- Mit dem Trimpotentiometer **RA2** auf minimalen Klirr abgleichen.

## 5.5 Anzeige-Einheit

1.775.310

## 5.5.1 Aussteuerungsanzeige



- Bei der 1. Eingangseinheit am asymmetrischen Eingang STEREO L [ad] links mit dem Generator 1 kHz/0 dBu (775 mV<sub>eff</sub>) einspeisen.
- Das NF-Voltmeter am Summenausgang MASTER OUTPUT BALANCED [16] links anschliessen (Bereich 10 dB/3 V).
- Den Eingangswahlschalter [a] in die Position STEREO bringen.
- Eingangs- und Summenflachbahnregler [h und m] auf 0 dB Position stellen.
- Den Schiebeschalter OUTPUT LEVEL [14] in Stellung 6 dBu bringen.
- Mit dem Eingangspegelregler [b] auf +6 dBu (1,55 V<sub>eff</sub>) abgleichen.
- Am Monitorselektor die Taste MASTER [s] drücken.
- Mit dem Trimpotentiometer **RA3** (von der Frontseite zugänglich) den linken Anzeigebalken so einstellen, dass die 0 dB-LED aufleuchtet.
- Den rechten Balken auf die gleiche Art mit **RA2** abgleichen.
- Die Helligkeit der Anzeige kann mit **RA1** eingestellt werden. Der Kontrast zur Umgebungshelligkeit wird über einen lichtempfindlichen Widerstand geregelt.

## 5.6 Messen der Audio Daten

- Klirrfaktor
- Ausgangspegel
- Frequenzgang
- Übersprechdämpfung
- Fremdspannungsabstand

### 5.6.1 Klirrfaktor

---

- Bei der ersten Eingangseinheit am asymmetrischen Eingang STEREO L [ad] links mit dem Generator 1 kHz/0 dBu ( $775 \text{ mV}_{\text{eff}}$ ) einspeisen.
- Das NF-Voltmeter am Summenausgang UNBAL L [17] links anschliessen (Bereich 0 dB/1 V).
- Den Eingangswahlschalter [a] in die Position STEREO bringen.
- Den Eingangs- und den Summenflachbahnregler [h und m] auf 0 dB Position stellen.
- Mit dem Eingangspegelregler [b] auf 0 dBu ( $775 \text{ mV}_{\text{eff}}$ ) abgleichen.
- Das Klirrfaktor - Messgerät an Summenausgang UNBAL L [17] links anschliessen.
  
- Der gemessene Wert darf **0,03 %** nicht übersteigen.
- Messung analog für den rechten Kanal durchführen.

### 5.6.2 Ausgangspegel und Kanalgleichheit

---

- Bei der ersten Eingangseinheit am asymmetrischen Eingang STEREO L [ad] links mit dem Generator 1 kHz/0 dBu ( $775 \text{ mV}_{\text{eff}}$ ) einspeisen.
- Das NF-Voltmeter am Summenausgang MASTER OUTPUT BALANCED [16] links anschliessen (Bereich 10 dB/3 V).
- Den Eingangswahlschalter [a] in die Position STEREO bringen.
- Eingangs- und Summenflachbahnregler [h und m] auf 0 dB Position stellen.
- Den Schiebeschalter OUTPUT LEVEL [14] in Stellung 6 dBu bringen.
- Mit dem Eingangspegelregler [b] auf +6 dBu ( $1,55 \text{ V}_{\text{eff}}$ ) abgleichen.
- In den Stellungen +10 dBu und +14 dBu des Schiebeschalters [14] müssen die entsprechenden Werte gemessen werden.
  
- Die Messungen sind auch mit dem rechten Kanal durchzuführen. Die **Kanalgleichheit** muss **besser als 1,5 dB** sein.

### 5.6.3 Frequenzgang

---

- Bei der ersten Eingangseinheit am asymmetrischen Eingang STEREO L [ad] links mit dem Generator 1 kHz/0 dBu ( $775 \text{ mV}_{\text{eff}}$ ) einspeisen.
- Das NF-Voltmeter am Summenausgang MASTER OUTPUT BALANCED [16] links anschliessen (Bereich 10 dB/3 V).
- Den Eingangswahlschalter [a] in die Position STEREO bringen.
- Eingangs- und Summenflachbahnregler [h und m] auf 0 dB Position stellen.
- Den Schiebeschalter OUTPUT LEVEL [14] in Stellung 6 dBu bringen.
- Mit dem Eingangspegelregler [b] auf +6 dBu ( $1,55 \text{ V}_{\text{eff}}$ ) abgleichen.
- Die Frequenz des NF-Generators von 20 Hz ... 20 kHz verändern. Der Ausgangspegel darf sich dabei um **maximal  $\pm 1$  dB** verändern.
  
- Die gleiche Messung ist mit dem rechten Kanal durchzuführen.

#### 5.6.4 Übersprechdämpfung

---

- Bei der ersten Eingangseinheit am asymmetrischen Eingang STEREO L [ad] **links** mit dem Generator 1 kHz/0 dBu ( $775 \text{ mV}_{\text{eff}}$ ) einspeisen.
- Den asymmetrischen Eingang STEREO R [ad] rechts mit einem **1 k $\Omega$  Widerstand** abschliessen.
  
- Das NF-Voltmeter am Summenausgang MASTER OUTPUT BALANCED [16] links anschliessen (Bereich 10 dB/3 V).
- Den Eingangswahlschalter [a] in die Position STEREO bringen.
- Den Eingangs- und den Summenflachbahnregler auf 0 dB Position stellen.
- Den Schiebeschalter OUTPUT LEVEL [14] in Stellung 6 dBu bringen.
- Mit dem Eingangspegelregler [b] auf +6 dBu ( $1,55 \text{ V}_{\text{eff}}$ ) abgleichen.
  
- Das NF-Voltmeter am Summenausgang MASTER OUTPUT BALANCED [16] **rechts** anschliessen.
- Die gemessene **Übersprechdämpfung** muss **>50 dB** betragen.
  
- Wird der Eingangsflachbahnregler [h] in die Stellung  $-\infty$  gebracht, so beträgt die **Ausschaltdämpfung** **>85 dB**. Wird anstelle des Eingangsflachbahnreglers der Summenflachbahnregler [m] in die Stellung  $-\infty$  gebracht, so beträgt die Ausschaltdämpfung >90 dB.
  
- Die Messung mit vertauschten Kanälen wiederholen.

#### 5.6.5 Fremdspannungsabstand

---

- Bei der ersten Eingangseinheit am asymmetrischen Eingang STEREO L [ad] links mit dem Generator 1 kHz/0 dBu ( $775 \text{ mV}_{\text{eff}}$ ) einspeisen.
- Das NF-Voltmeter am Summenausgang MASTER OUTPUT BALANCED [16] links anschliessen (Bereich 10 dB/3 V).
- Den Eingangswahlschalter [a] in die Position STEREO bringen.
- Eingangs- und Summenflachbahnregler auf 0 dB Position stellen.
- Den Schiebeschalter OUTPUT LEVEL [14] in Stellung 6 dBu bringen.
- Mit dem Eingangspegelregler [b] auf +6 dBu ( $1,55 \text{ V}_{\text{eff}}$ ) abgleichen.
  
- Das NF-Voltmeter am Summenausgang MASTER OUTPUT BALANCED [16] rechts anschliessen.
- Den NF-Generator vom Eingang entfernen und den Eingang mit einem **1 k $\Omega$  Widerstand** abschliessen.
  
- Der gemessene **Fremdspannungsabstand** muss **>100 dB** betragen.
  
- Die Messung ist mit dem rechten Kanal zu wiederholen.

<b>1</b>	<p><b>General</b></p> <p style="padding-left: 40px;">Introduction 1/1</p> <p style="padding-left: 40px;">Operator controls 1/2</p> <p style="padding-left: 40px;">Connector panel 1/4</p> <p style="padding-left: 40px;">Technical Data 1/7</p> <p style="padding-left: 40px;">Accessories 1/10</p>
<b>2</b>	<p><b>Start-up procedure</b></p> <p style="padding-left: 40px;">Connection to the AC power source 2/1</p> <p style="padding-left: 40px;">Power on procedure 2/1</p> <p style="padding-left: 40px;">Microphone phantom supply 2/1</p> <p style="padding-left: 40px;">Connecting the inputs 2/2</p> <p style="padding-left: 40px;">Connecting the outputs 2/2</p>
<b>3</b>	<p><b>Functional description</b></p> <p style="padding-left: 40px;">Power supply 3/1</p> <p style="padding-left: 40px;">Display module 3/1</p> <p style="padding-left: 40px;">Input module 3/2</p> <p style="padding-left: 40px;">Master module 3/3</p> <p style="padding-left: 40px;">Monitor module 3/3</p> <p style="padding-left: 40px;">Input/output module 3/4</p> <p style="padding-left: 40px;">Control room monitor module 3/5</p>
<b>4</b>	<p><b>Disassembly instructions</b></p> <p style="padding-left: 40px;">General information 4/1</p> <p style="padding-left: 40px;">Housing 4/2</p> <p style="padding-left: 40px;">Electronic assemblies 4/4</p>
<b>5</b>	<p><b>Alignment instructions</b></p> <p style="padding-left: 40px;">General information 5/1</p> <p style="padding-left: 40px;">Power supply 5/3</p> <p style="padding-left: 40px;">Input module 5/4</p> <p style="padding-left: 40px;">Master module 5/5</p> <p style="padding-left: 40px;">Display module 5/6</p> <p style="padding-left: 40px;">Measuring the audio data 5/6</p>
<b>6</b>	<p><b>Circuit diagrams</b></p>

## 1 General

---

<b>1.1 Introduction</b> .....	<b>1</b>
<b>1.2 Operator controls</b> .....	<b>2</b>
<b>1.3 Connector panel</b> .....	<b>4</b>
<b>1.4 Technical data</b> .....	<b>7</b>
1.4.1 Electronic data.....	7
1.4.2 Mechanical data .....	9
<b>1.5 Accessories</b> .....	<b>10</b>
1.5.1 Accessory kit.....	10
1.5.2 19" rack mounting kit.....	10
1.5.3 Bus connection cable .....	10
1.5.4 Transport case.....	10
1.5.5 Knobs and Push Bttons .....	11

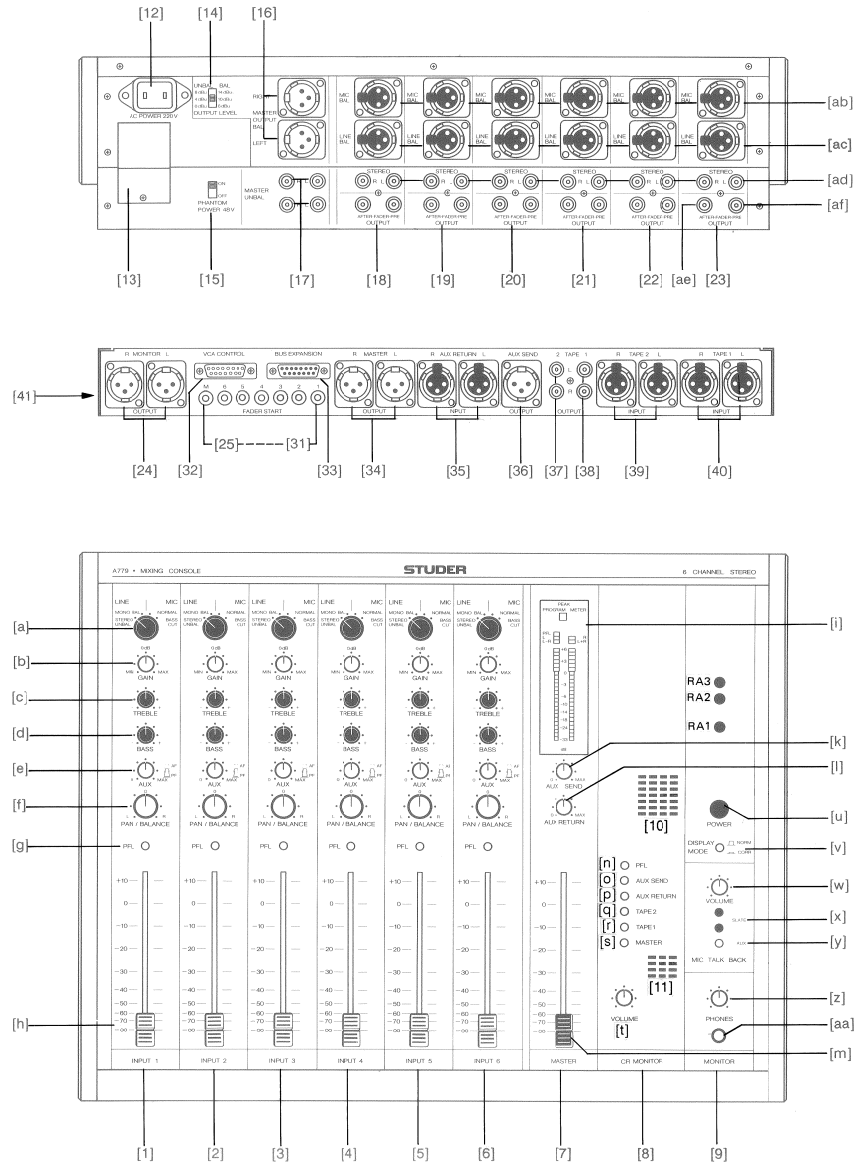
## 1 General

---

### 1.1 Introduction

---

- The professional small mixer STUDER A779 is an universal mixing console that is principally intended for OB applications. Each of the six input paths in the basic unit is designed for 2-channel operation which means that each path can be used either for high-level stereo signals (in which case the inputs are unbalanced) or in mono mode with balanced input. This circuit arrangement also accepts microphone input signals.
- The expansion unit which becomes an integral part of the basic unit when installed below the latter, features additional balancing stages so that three high-level stereo feedbacks (six channels) e.g. from tape recorders or effect machines have a balanced termination and can be connected to one input path each.
- Depending on the wiring, the mixing console can have between six and fourteen input channels (including the AUX RETURN inputs).
- When an input path is operated in stereo mode, the controls influence both channels.
- The modules referred to in the subsequent description are not necessarily physically separable assemblies but functional modules (example: the "input module" consists of a circuit board and the operator controls integrated in the operator surface; electrically it is a separate unit, however).



## 1.2 Operator controls

### Element

### Function

#### [1] INPUT 1

**Stereo input module comprising the following elements:**

##### [a] INPUT SELECTOR

- Rotary switch for selecting the various inputs:  
 LINE: MONO BAL. (balanced)  
 STEREO UNBAL. (unbalanced)  
 MIC: NORMAL (balanced, floating)  
 BASS CUT (filter active)

**Caution:**  
 Never connect high-level signal sources and stereo hi-fi signal sources to the same input!

##### [b] GAIN

- Input level control. For matching the level of the various signal sources. The scale of this control features a calibration mark at 0 dB which identifies 0 dB gain across the entire channel when the input selector is in the LINE position and the input and master fader are in the 0 dB position.

##### [c] TREBLE

- Treble control. Potentiometer for accentuating or de-emphasizing the treble range ( $\pm 15$  dB at 20 kHz). No influence on the frequency response when this control is in the center position.

##### [d] BASS

- Bass control. Potentiometer for accentuating or de-emphasizing the bass range ( $\pm 15$  dB at 20 Hz). No influence on the frequency response when this control is in the center position.

##### [e] AUX

- Potentiometer for driving the monophonic AUX bus, with integrated push-pull switch for PF/AF (prefader/after-fader) changeover.

##### [f] PAN/BALANCE

- In the modes LINE, MIC, NORM, and MIC BASS CUT it functions as a panorama potentiometer (distributing the signal to the left-hand and the right-hand channel). In STEREO mode it functions as a balance potentiometer.

##### [g] PFL

- Push button for prefader listening; connects the signal monophonically to the PFL bus.

##### [h] FADER

- Linear fader for attenuating the signal.

#### [2] INPUT 2...[6] INPUT 6

- Stereo input modules with the same configuration as INPUT 1.

#### [7] MASTER

**Stereo output module comprising the following elements:**

##### [i] PEAK PROGRAM METER

- Two LED strips indicate the momentary peak values of the selected monitoring source.  
 If the momentary push button DISPLAY MODE is pressed in stereo mode, it is possible to assess the mono compatibility (see 3.2, Page E 3/1).



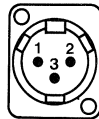
Element	Function
[k] AUX SEND	<ul style="list-style-type: none"> <li>Level control of the master signal AUX SEND [36] (output of the mono AUX bus).</li> </ul>
[l] AUX RETURN	<ul style="list-style-type: none"> <li>Level control of the stereo RETURN AUX input [35].</li> </ul>
[m] MASTER FADER	<ul style="list-style-type: none"> <li>Stereo fader for attenuating the master output signal; range +10...-70 dB.</li> </ul>
[8] CR MONITOR	<b>Monitor module comprising the following elements:</b>
[n] PFL	<ul style="list-style-type: none"> <li>Push button for connecting the PFL bus to the monitor bus. (The mono PFL signal is mixed down equally to the left-hand and the right-hand channel of the monitor bus.)</li> </ul>
[o] AUX SEND	<ul style="list-style-type: none"> <li>Push button for connecting the AUX bus to the monitor bus. (The mono AUX signal is mixed down equally to the left-hand and the right-hand channel of the monitor bus.)</li> </ul>
[p] AUX RETURN	<ul style="list-style-type: none"> <li>Push button for connecting the left-hand and the right-hand channel of the AUX RETURN [35] to the monitor bus.</li> </ul>
[q] TAPE 2	<ul style="list-style-type: none"> <li>Push button for connecting the left-hand and the right-hand channel of the TAPE 2 [39] input to the monitor bus.</li> </ul>
[r] TAPE 1	<ul style="list-style-type: none"> <li>Push button for connecting the left-hand and the right-hand channel of the TAPE 1 [38] input to the monitor bus.</li> </ul>
[s] MASTER	<ul style="list-style-type: none"> <li>Push button for connecting the left-hand and the right-hand master channel to the monitor bus.</li> </ul>
[t] VOLUME	<ul style="list-style-type: none"> <li>Potentiometer for adjusting the volume of the left-hand and the right-hand monitor output [24].</li> </ul>
[9] MONITOR	<b>Monitor module comprising the following elements:</b>
[u] POWER	<ul style="list-style-type: none"> <li>AC Power switch</li> </ul>
[v] DISPLAY MODE	<ul style="list-style-type: none"> <li>Push button switch for changing over the peak program meter.  NORM position = level indication  CORR position = correlation indication  (see peak program meter [i])</li> </ul>
[w] VOLUME MIC	<ul style="list-style-type: none"> <li>Sensitivity potentiometer of the built-in microphone [11].</li> </ul>
[x] SLATE	<ul style="list-style-type: none"> <li>For announcing via the master bus (both buttons pressed simultaneously)</li> </ul>
[y] MIC TALK BACK AUX	<ul style="list-style-type: none"> <li>For announcing via the aux bus</li> </ul>
[z] VOLUME	<ul style="list-style-type: none"> <li>Potentiometer for adjusting the monitor speaker [10] volume or the headset [aa] volume.</li> </ul>
[aa] PHONES	<ul style="list-style-type: none"> <li>Stereo jack socket for connecting the headphones (200 <math>\Omega</math> ... 600 <math>\Omega</math>). The built-in monitor speaker is automatically muted when the headphones are plugged in.</li> </ul>

Element	Function
[10] SPEAKER	<ul style="list-style-type: none"> <li>■ Control room speaker</li> </ul>
[11] MICROPHONE	<ul style="list-style-type: none"> <li>■ Microphone for announcing via the AUX or master bus.</li> </ul>

### 1.3 Connector panel

Element	Function																					
[12] AC POWER	<ul style="list-style-type: none"> <li>■ Power inlet</li> </ul>																					
[13] VOLTAGE SELECTOR	<ul style="list-style-type: none"> <li>■ Line voltage selector and power fuse</li> </ul>																					
[14] OUTPUT LEVEL	<ul style="list-style-type: none"> <li>■ Slide switch for matching the 0 dB master level to the prevailing studio level.</li> </ul> <table border="0" style="margin-left: 20px;"> <tr> <td style="padding-right: 10px;">UNBALANCED</td> <td>0 dBu = 0.775</td> <td><math>V_{\text{eff}}</math></td> </tr> <tr> <td></td> <td>+4 dBu = 1.23</td> <td><math>V_{\text{eff}}</math></td> </tr> <tr> <td></td> <td>+8 dBu = 1.95</td> <td><math>V_{\text{eff}}</math></td> </tr> <tr> <td colspan="3"> </td> </tr> <tr> <td>BALANCED:</td> <td>+ 6 dBu = 1.55</td> <td><math>V_{\text{eff}}</math></td> </tr> <tr> <td>(floating)</td> <td>+10 dBu = 2.45</td> <td><math>V_{\text{eff}}</math></td> </tr> <tr> <td></td> <td>+14 dBu = 3.88</td> <td><math>V_{\text{eff}}</math></td> </tr> </table>	UNBALANCED	0 dBu = 0.775	$V_{\text{eff}}$		+4 dBu = 1.23	$V_{\text{eff}}$		+8 dBu = 1.95	$V_{\text{eff}}$				BALANCED:	+ 6 dBu = 1.55	$V_{\text{eff}}$	(floating)	+10 dBu = 2.45	$V_{\text{eff}}$		+14 dBu = 3.88	$V_{\text{eff}}$
UNBALANCED	0 dBu = 0.775	$V_{\text{eff}}$																				
	+4 dBu = 1.23	$V_{\text{eff}}$																				
	+8 dBu = 1.95	$V_{\text{eff}}$																				
BALANCED:	+ 6 dBu = 1.55	$V_{\text{eff}}$																				
(floating)	+10 dBu = 2.45	$V_{\text{eff}}$																				
	+14 dBu = 3.88	$V_{\text{eff}}$																				

All XLR connectors have the following pin assignment:



- 1 = screen
- 2 = a-wire
- 3 = b-wire

[15] PHANTOM POWER 48 V	<ul style="list-style-type: none"> <li>■ Slide switch for activating the microphone phantom supply of all input modules (for condenser microphones).</li> </ul>
[16] MASTER OUTPUT BAL. L/R	<ul style="list-style-type: none"> <li>■ Balanced outputs of the left-hand and right-hand master channel (XLR connectors).</li> </ul>
[17] MASTER UNBAL. R/L	<ul style="list-style-type: none"> <li>■ Two parallel-connected, unbalanced outputs each of the left-hand and the right-hand master channel (CINCH connectors).</li> </ul>
[18] INPUT 6	<p><b>Stereo input module with the following connector configuration:</b></p> <ul style="list-style-type: none"> <li>■ Balanced and floating microphone input of input 6 (XLR connector, mono).</li> <li>■ Balanced high-level input of input 6 (XLR connector, mono).</li> <li>■ Unbalanced inputs of the left-hand and right-hand input 6 for high-level sources (CINCH connectors).</li> <li>■ Unbalanced mono output. The signal is tapped after the linear fader and added to a mono signal (CINCH connector).</li> </ul>
[ab] MIC BAL.	<ul style="list-style-type: none"> <li>■ Balanced and floating microphone input of input 6 (XLR connector, mono).</li> </ul>
[ac] LINE BAL.	<ul style="list-style-type: none"> <li>■ Balanced high-level input of input 6 (XLR connector, mono).</li> </ul>
[ad] STEREO L/R	<ul style="list-style-type: none"> <li>■ Unbalanced inputs of the left-hand and right-hand input 6 for high-level sources (CINCH connectors).</li> </ul>
[ae] OUTPUT AFTER FADER	<ul style="list-style-type: none"> <li>■ Unbalanced mono output. The signal is tapped after the linear fader and added to a mono signal (CINCH connector).</li> </ul>

Element	Function						
[af] OUTPUT PRE FADER	<ul style="list-style-type: none"> <li>Unbalanced mono output. The signal is tapped before the linear fader and added to a mono signal (CINCH connector).</li> </ul>						
[19] INPUT 5 ... [23] INPUT 1	<ul style="list-style-type: none"> <li>Stereo input modules with identical pin assignment as for input 6.</li> </ul>						
[24] MONITOR OUTPUT	<ul style="list-style-type: none"> <li>Balanced outputs of the left-hand and right-hand monitor bus (XLR connectors). Output level adjustable with volume control [t]. Muting (monitor cut) with open microphone can be programmed with the DIP switch [41].</li> </ul>						
[25] FADER START M (MASTER)	<ul style="list-style-type: none"> <li>Jack socket (3.5 mm, stereo) for connecting a fader start cable. When the master fader is opened, an electrically isolated relay make contact is actuated (also refer to Section 3.6).</li> </ul>						
[26] FADER START 6 ... [31] FADER START 1	<ul style="list-style-type: none"> <li>Jack socket (3.5 mm, stereo) for connecting a fader start cable. When the corresponding input fader is opened, an electrically isolated relay make contact is actuated (also refer to section 3.6.).</li> </ul>						
[32] VCA CONTROL	<ul style="list-style-type: none"> <li>The gain of the individual input channels can also be remote controlled (option 850). The gain is influenced by applying a corresponding control voltage (TTL range);               <table style="margin-left: 40px;"> <tr> <td style="padding-right: 20px;">where:</td> <td style="padding-right: 20px;">0V fader fully open</td> <td style="padding-left: 20px;">(v = 0 dB)</td> </tr> <tr> <td></td> <td>+5V fader fully closed</td> <td>(v = -100 dB)</td> </tr> </table> </li> <li>The interface in the A779 can be controlled directly from certain video editing stations, e.g. SONY BVE 600, BVE 900 and BVE 9000. For other applications it is necessary to create corresponding voltage generators.</li> </ul>	where:	0V fader fully open	(v = 0 dB)		+5V fader fully closed	(v = -100 dB)
where:	0V fader fully open	(v = 0 dB)					
	+5V fader fully closed	(v = -100 dB)					

Pin assignment:

- Pin 1 = Control voltage input 1
- Pin 2 = Control voltage input 2
- Pin 3 = Control voltage input 3
- Pin 4 = Control voltage input 4
- Pin 5 = Control voltage input 5
- Pin 6 = Control voltage input 6
- Pin 9 = 0 Volt

## Element

## Function

### [33] BUS EXPANSION

- Expansion socket for connecting a second A779 mixing console. The master and slave function is determined by the installation of the connection cable. The connectors of the cable are correspondingly labelled.

Pin assignment:	Pin 1 = MBR-IN	Pin 9 = BC
	Pin 2 = MBL-IN	Pin 10 = 0 Volt
	Pin 3 = SB-IN	Pin 11 = 0 Volt
	Pin 4 = PFL-IN	Pin 12 = 0 Volt
	Pin 5 = MBR-OUT	Pin 13 = 0 Volt
	Pin 6 = MBL-OUT	Pin 14 = 0 Volt
	Pin 7 = SB-OUT	Pin 15 = 0 Volt (SCREEN)
	Pin 8 = PFL-OUT	

**Signal names:** **MB** = Master Bus; **SB** = Send Bus; **PFL** = Pre Fader Listening; **BC** = Bus Controller; **L** = left; **R** = right;

### [34] MASTER OUTPUT R/L

- Balanced and floating outputs of the right-hand and left-hand master channel (XLR connectors).

### [35] AUX RETURN R/L INPUT

- Balanced and floating AUX inputs of the left-hand and right-hand master bus (XLR connectors).

### [36] AUX SEND OUTPUT

- Balanced output of the AUX bus (CLR connector, mono).

### [37] TAPE 2 OUTPUT L/R

- Unbalanced outputs (CINCH connectors). The signal of the balanced high-level input TAPE 2 [39] is connected unbalanced to this output. Series connection to any unbalanced stereo input [ad] with CINCH cable.

### [38] TAPE 1 OUTPUT L/R

- Unbalanced outputs (CINCH connectors). The signal of the balance high-level input TAPE 1 [40] is connected unbalanced to this output. Series connection to any unbalanced stereo input [ad] with CINCH cable.

### [39] TAPE 2 INPUT L/R

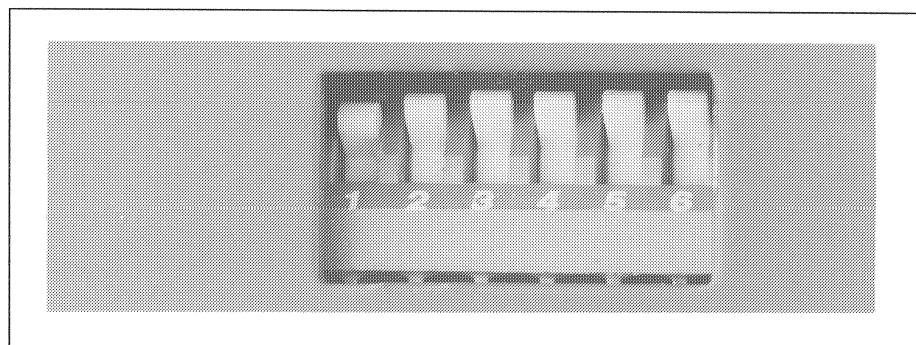
- Balanced stereo high-level input

### [40] TAPE 1 INPUT L/R

- Balanced stereo high-level input.

### [41] MONITOR CUT

- The muting of the monitor output can be individually selected via the 6-position DIP CODING SWITCH. If a switch is in the down position, the stereophonic monitor output [24] is muted when the corresponding input fader is opened.



## 1.4 Technical data

### 1.4.1 Electronic data

#### General:

##### Measuring conditions:

All voltages in dBu are relative to 775 mV<sub>eff</sub>. All INPUT FADERS and the MASTER FADER are to be set to 0 dB, the treble and bass controllers to their center position.

- Levels:**
- Control range for 0 dB indication on peak meter:
 

GAIN MIC:	-60 dBu ... 0 dBu
GAIN LINE, STEREO:	-20 dBu ... + 16 dBu
AUX RETURN:	-4 dBu ... + 22 dBu
  - Output level for 0 dB indication on peak meter:
 

PRE, AFTER FADER:	0 dBu
AUX SEND:	+6 dBu
MASTER unbal.:	0; +4; +8 dBu
MASTER bal.:	+6; +10; +14 dBu
(adjustable rear panel switch)	
MONITOR max.:	+16 dBu
  - TAPE 1, 2 for 0 dB indication on peak meter:
 

Inputs bal.:	+ 6 dBu
Outputs unbal.:	0 dBu
- Overload margin:**
- Maximum input level:
 

MIC:	0 dBu
LINE bal, STEREO:	+20 dBu
AUX RETURN, TAPE:	+26 dBu
  - Maximum output level:
 

Unbalanced:	+20 dBu
Balanced:	+24 dBu
Balanced transformer:	+26 dBu
- Impedances:**
- Input impedance:
 

MIC:	> 1.2 kohm
LINE; STEREO:	47 kohm
AUX RETURN, TAPE:	> 10 kohm
  - Output impedance:
 

MASTER bal.;	
AUX SEND, MONITOR:	< 50 ohm
MASTER unbal.:	< 1.0 kohm
OUTPUT PF, AF:	< 50 ohm

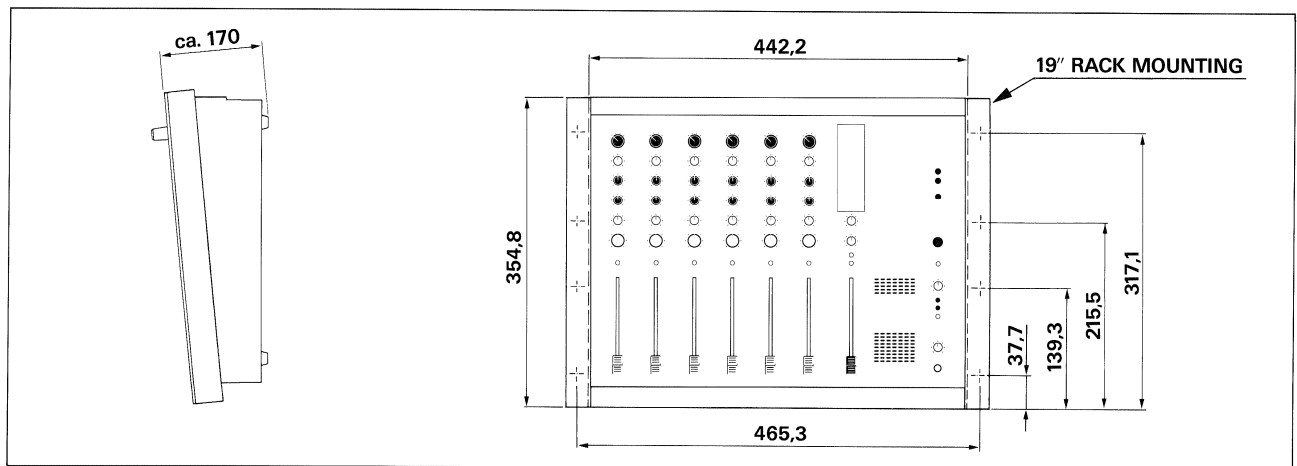
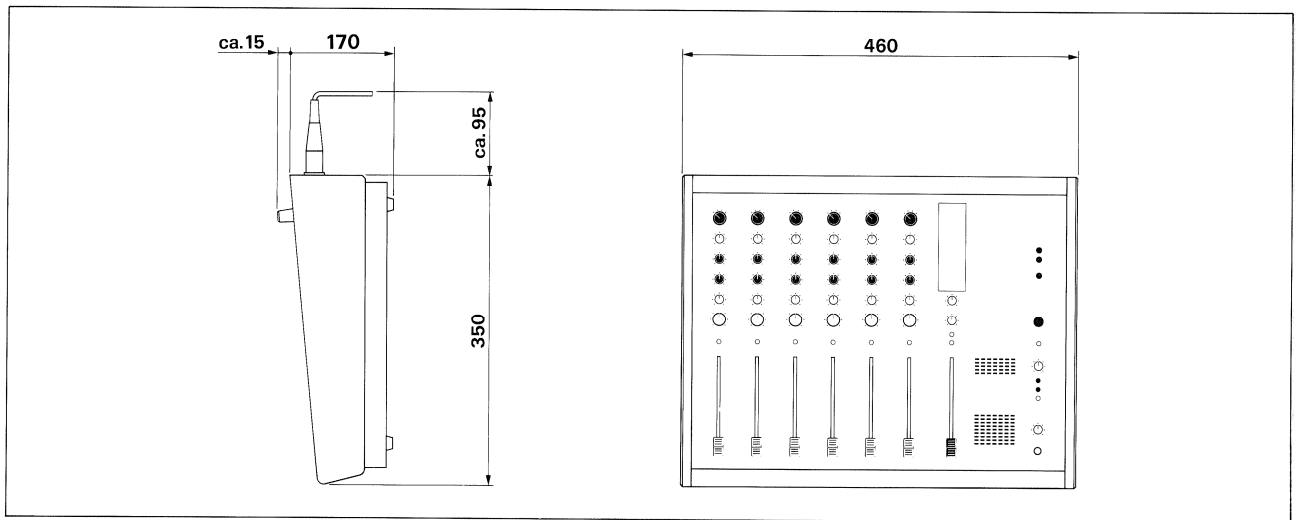
- Frequency response:**
- Linear (treble and bass control in center position)
  - 20 Hz ... 20 kHz +1 ... -1 dB
  - Bass cut 12 dB/octave, -3 dB: 70 Hz
  - Treble control 20 kHz: +15 ... -15 dB
  - Bass control 20 Hz: +15 ... -15 dB
- Signal-to-noise ratio:**
- RMS value for 20 Hz ... 20 kHz
  - 1 x MIC relative to -60 dBu input voltage, 200  $\Omega$  termination: > 63 dB
  - 1 x LINE relative to 0 dBu input voltage, 1 k $\Omega$  termination: > 90 dB
  - 6 x LINE relative to 0 dBu input voltage: > 86 dB
  - Master fader closed > 100 dB
- Harmonic distortion:**
- LINE 0 dBu input +6 dBu master output
  - 1 kHz: <0.03%
  - 20 Hz ... 20 kHz: <0.15%
  - MIC -20 dBu input 1 kHz: <0.03%
  - 30 Hz ... 15 kHz: <0.15%
- Cross talk:**
- Left-right crosstalk of a stereo input at 10 kHz: > 50 dB
  - Disconnection attenuation of channel controller at 10 kHz: > 86 dB INPUT > 90 dB
  - Disconnection attenuation of master fader > 100 dB
- Display:**
- LED bargraph instrument with PPM characteristic (peak program meter) for quasi peak indication. The LEDs arranged out to the following scale:
  - Ranges: +6 ... +1dB in 1 dB steps (red)
  - 0 ... -6dB in 1 dB steps (green)
  - 7 ... -18dB in 2 dB steps (green)
  - 19 ... -33dB in 3 dB steps (green)
  - Characteristic switchable from PPM to correlation degree indication of a stereo signal (L-R, L+R).
  - LED indicators for:
 

PFL	(mono)
AUX SEND	(mono)
AUX RETURN	(left, right)
TAPE 2	(left, right)
TAPE 1	(left, right)
MASTER output	(left, right)
Correlation	(L-R, L+R)
- Power requirements:**
- Line voltage selector: 100, 120, 140, 200, 220, 240 V
  - 50 ... 60 Hz, max. 50 W
  - Power fuse: 100 ... 140 V 630 mA slow
  - 200 ... 240 V 315 mA slow

## 1.4.2 Mechanical data

**Weight:** ■ MIXING CONSOLE A779: approx. 13 kg

**Dimensions:** ■ (WxDxH) 460 x 355 x 170 mm



**1.5 Accessories**

---

The A779 is supplied with a power cord and an operating and service manual. The following items can be ordered as optional accessories:

**1.5.1 Accessory kit****Order No. 1.775.031.00**

---

Item	Quantity	Part No.	Designation
1.	12	54.02.0280	XLR connector (male)
2.	7	54.02.0281	XLR connector (female)
3.	7	54.24.0121	Mini jack, stereo, 3.5mm (fader start)
4.	2	54.21.2080	Cinch - Cinch cable, 0.5 m
5.	2	1.911.000.34	Button, small, YELLOW
6.	2	1.911.000.35	Button, small, GREEN
7.	2	1.911.000.36	Button, small, BLUE
8.	1	51.01.0112	Fuse: 315 mA/250 V, slow
9.	2	51.01.0117	Fuse: 1A/250 V, slow

**1.5.2 19" rack mounting kit****Order No. 1.775.361.00**

---

Item	Quantity	Part No.	Designation
1.	3	21.26.0353	Fillister-head screw, M3x5
2.	8	21.26.2454	Flat-head screw, M4x6
3.	2	1.775.360.25	Rack bracket
4.	1	1.775.360.24	Trim strip, bottom

**1.5.3 Bus connection cable****Order No. 1.023.767.00**

---

Grey connecting cable, 85 cm, 10-conductor, fitted with two 15-pin D-type connectors. One connector connects the A779 as the master, the other as the slave. Each A779 mixing console can be used for either purpose.

**Coupling of two A779:**

The coupling of two A779 mixing consoles results in a system with 12 input channels and a master output. The master, aux and PFL buses are connected by the slave console directly to the buses of the master console (the master faders are bypassed). The BC (bus controller) signal connects the bus signals to the D-type BUS EXPANSION connector.

**1.5.4 Transport case****Order No. 10.690.001.01**

---

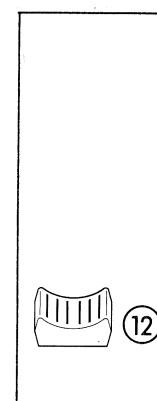
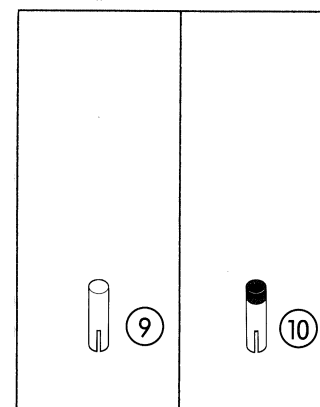
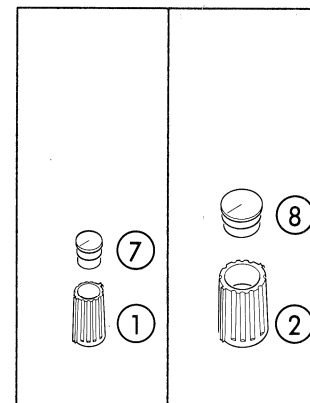
**Outside dimensions:**

Dual shell plastic case with handle, black, lockable.  
57cm × 45cm × 24 cm



### 1.5.5 Knobs and Push Buttons

Ind.	ORDER NUMBER	PART NAME	COLOR
01	42.01.0203	knob fixed.... $\phi$ 10/4mm with screw	dark grey
	1.775.370.32	knob..... $\phi$ 10/4mm	dark grey
02	1.775.370.31	knob..... $\phi$ 15/4mm	dark grey
07	42.01.0250	Cap with line... $\phi$ 10mm	light grey
	42.01.0251	.....	dark grey
	42.01.0252	.....	black
	42.01.0253	.....	red
	42.01.0254	.....	blue
	42.01.0255	.....	yellow
42.01.0256	.....	green	
08	42.01.0257	Cap with line... $\phi$ 15mm	light grey
	42.01.0258	.....	dark grey
	42.01.0259	.....	black
	42.01.0260	.....	red
	42.01.0261	.....	blue
	42.01.0262	.....	yellow
42.01.0263	.....	green	
09	1.810.320.02	Push button.....	dark grey
	1.810.320.03	.....	blue
	1.810.320.04	.....	yellow
	1.810.320.05	.....	white
	1.810.320.06	.....	green
	1.810.320.07	.....	red
10	1.011.094.02	Push button with.....	red
	1.011.094.03	coloured top.....	orange
	1.011.094.04	.....	yellow
	1.011.094.05	.....	green
	1.011.094.06	.....	blue
	1.011.094.08	.....	light grey
1.011.094.09	.....	dark grey	
12	1.911.000.32	Fader knob.....	red
	1.911.000.33	.....	orange
	1.911.000.34	.....	yellow
	1.911.000.35	.....	green
	1.911.000.36	.....	blue
	1.911.000.38	.....	light grey
1.911.000.39	.....	white	



---

## 2 Start-up procedure

---

2.1 Connecting the mixer to the AC supply .....	1
2.2 Power-on procedure.....	1
2.3 Microphone phantom supply .....	1
2.4 Connecting the inputs.....	2
2.5 Connecting the outputs .....	2

## 2 Start-up procedure

---

### 2.1 Connecting the mixer to the AC supply

---



Verify that the local line voltage matches the rating printed on the power inlet of the mixing console. If this is not the case, the voltage selector must be adjusted correspondingly. The value of the fuses has to be checked and changed, if necessary (see 4.3.11).

- 100...140 V<sub>AC</sub>: **T 630 mA L 250 V (slow blow)**  
*USA and CDN (100...140 V<sub>AC</sub>): 630 mA slow blow UL/CSA*
- 200...240 V<sub>AC</sub>: **T 315 mA L 250 V (slow blow)**

### 2.2 Power-on procedure

---

The mixing console is powered on by pressing the POWER switch [u]; the peak meter lights up. The mixing console can be switched off and disconnected from the AC supply by pressing the same switch.

### 2.3 Microphone phantom power

---

**Condenser microphones:** Condenser microphones require a supply voltage of 48 V<sub>DC</sub> which is provided by the mixing console. When the PHANTOM POWER 48 V [15] slide switch is in the ON position, the phantom supply is activated for all input modules.

**Dynamic microphones:** Dynamic microphones require no additional supply and are simply connected to the microphone inputs. Put the PHANTOM POWER 48 V [15] slide switch to the OFF position.

**Note:** If dynamic as well as condenser microphones are used simultaneously, *balanced connection of all microphones is required*. In this case set the PHANTOM POWER 48 V [15] slide switch to the ON position. In the event of unbalanced connection and active phantom supply, the input transformers become magnetized which increases the harmonic distortion. For demagnetizing instructions refer to 5.1.1.

## 2.4 Connecting the inputs

---

- Microphones:**
- Microphones can be connected to the balanced inputs MIC BAL [ab] of the stereo input modules.
  - The input selectors [a] are to be turned to the position MIC NORMAL or MIC BASS CUT.

- High-level input sources:**
- Mono signal sources with balanced high-level output ( $50 \text{ mV}_{\text{RMS}} \dots 3 \text{ V}_{\text{RMS}}$ ) can be connected to the LINE BAL. [ac] input of the input module.
  - The input selector [a] should be turned to the position LINE MONO BAL.
  - Stereo signal sources with balanced high-level output ( $50 \text{ mV}_{\text{RMS}} \dots 3 \text{ V}_{\text{RMS}}$ ) can be connected to the inputs TAPE 1 [40] or TAPE 2 [39] of the input/output module. With Cinch-Cinch connecting cables they are tapped on the unbalanced output TAPE 1 [38] or TAPE 2 [37] module and serially connected to any stereo input [18]...[23].

- Stereo hi-fi signal sources:**
- Unbalanced stereo signal sources (such as HiFi equipment) can be connected to the stereo inputs [ad] of the stereo input modules. The input selector [a] should be turned to the STEREO UNBAL. position.

**Caution:** *Never use both LINE inputs (MONO BAL. and STEREO UNBAL.) of a single input module simultaneously!*

## 2.5 Connecting the outputs

---

**Balanced outputs:**

**Master Output** Equipment with balanced inputs can be connected to the MASTER OUTPUT BAL. L/R connectors [16]/[34].

**Monitor Output** A monitoring amplifier or, even more convenient, a pair of active monitor speakers (e.g. the professional studio sound transducers Studer A523, A623, or A723) can be connected directly to the balanced MONITOR OUTPUT [24].

**Unbalanced outputs:**

Equipment with unbalanced inputs can be connected to the MASTER UNBAL. L/R [17] connectors. The Direct Outputs PRE/AFTER FADER [ae]/[af] are terminated on unbalanced connectors as well.

### 3 Functional description

---

---

3.1 Power supply .....	1
3.2 Display module .....	1
3.3 Input module .....	2
3.4 Master module .....	3
3.5 Monitor module .....	3
3.6 Input/output module .....	4
3.7 Control room monitor module .....	5

### 3 Functional description

#### 3.1 Power supply

1.775.490

- Primary circuits:  
One pole of the AC line voltage is connected directly to the power transformer. The other pole is connected via the power switch (on monitor module) and via the primary fuse to the line voltage selector and the transformer.
- The following line voltages can be selected:  
100 V, 120 V, 140 V, 200 V, 220 V, and 240 V  $\pm 10\%$ , 50 to 60 Hz.
- Secondary circuits:  
The following voltages are available:  
  - $\pm 15$  V Amplifier supply
  - +11 V LED supply of the display module
  - +48 V Microphone phantom supply
 The amplifier supply ( $\pm 15$  V) is stabilized with two series-connected regulators. The output voltage of these regulators is adjusted with trimmer potentiometers.  
 The series pass transistor of the phantom supply (+ 48 V) stabilizes not only the voltage but also switches it on and off. The output voltage can be adjusted with a trimmer potentiometer.  
 The power of the indicator LEDs (+11V) is filtered only by an electrolytic capacitor and is not regulated.

#### 3.2 Display module

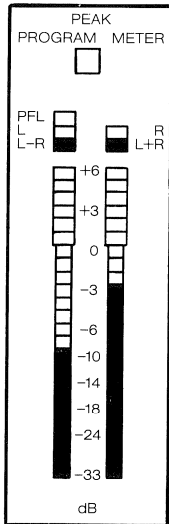
1.775.310

##### PPM:

- Stereo and peak program meter with 24 LEDs each, adjustable sensitivity and brightness  
  
 Ranges: +1 ... +6 dB in 1 dB steps (red)  
           -6 ... 0 dB in 1 dB steps (green)  
           -18 ... -7 dB in 2 dB steps (green)  
           -33 ... -19 dB in 3 dB steps (green)
- The stereo peak meter indicates the level of the selected monitoring source.  $\Sigma 1 + 2$ , TAPE 1, TAPE 2, AUX RETURN are indicated in stereo mode while PFL and AUX SEND are indicated in mono mode. The mode is changed over automatically.
- Mode indication: MONO                   PFL (red LED)  
                       STEREO               L, R (red LED)  
                       Correlation L - R, L + R (red LED)

**Correlator:**

When you press the DISPLAY MODE [v] key, the left-hand instrument indicates the stereo side signal (L-R), the right-hand instrument the stereo center signal (L+R). By comparing these two readings it is possible to interpret the degree of correlation and consequently the mono compatibility. The degree of correlation indicates the similarity of the stereo channels.



Correlation	Indication	Interpretation
+1	L << R	The two channels (L, R) are identical, mono representation in the center.
0.3...0.7	L < R	Average stereo programs; indication on the left is 6...8 dB smaller than on the right.
0	L = R	Stereo signal with 90° phase offset or incoherent signals.
< 0	L > R	Signals with phase inversion, not mono compatible.
-1	L >> R	Both channels are identical but with 180° phase rotation.

The average stereo program produces a correlation degree of approx. 0.3 ... 0.7. Recordings with strong center signals (soloists) achieve even higher values. By contrast, a strong distribution of the instruments over the full base width reduces the correlation toward zero. Negative values (indication on the left higher than on the right) are indicative of phase inversion in the system.

**3.3 Input module**

**1.775.420**

- The unbalanced STEREO input is taken via the balanced MIC and LINE BAL inputs to the input selector switch. (All switches in this module are implemented with electronic components)
- The BASS CUT filter can be connected to the microphone input. The input level potentiometers have a control range of -20 ... +16 dB. For the microphone input the level potentiometers are connected in series, resulting in a control range of -36...+36 dB. The signal is taken via the tone control to the VCAs which are driven by means of fader via the buffer. The control range of the VCA is -70...+10 dB.
- To achieve good phase synchronism of the stereo faders, the corresponding control elements are implemented with dbx-VCAs. The fader consists of a linear sliding potentiometer that supplies a DC voltage to the VCA. The latter is responsible for the conversion linear ÷ dB-linear. The input circuit is terminated with the panorama or balance potentiometer (STEREO UNBAL.) respectively. In mono mode the input circuits of both channels are used to form a balanced input, the remaining processing is subsequently performed in the left-hand channel.  
 The PF signals (tapped before the fader) or AF signals (tapped after the fader) are taken via the summing amplifiers to the 0 dB isolation amplifiers at the output. The level of the signal connected via the AUX switch is influenced by the AUX potentiometer and taken to the AUX bus. The prefader listening signal is taken via the PFL switch to the PFL bus.

### 3.4 Master module

1.775.430

<b>AUX Send</b>	A supplementary input/output (AUX SEND, AUX RETURN) has been implemented on the master module so that an external device can be looped in. The SEND signal is taken from the AUX bus via summing amplifier to the potentiometer [k] which adjusts the output level. In addition the SEND signal can be connected from the level potentiometer to the monitor bus (AUX SEND, key [o]).
<b>AUX Return</b>	The stereo RETURN signal is taken via potentiometer [l] to the master bus. Also here it is possible to connect the signal to the monitor bus through the AUX RETURN key [p].
<b>MASTER Fader</b>	The summing amplifiers terminate the master bus. The master signal is also controlled by VCA stages that are implemented in the same manner as in the input module.
<b>Outputs</b>	<p>The mixing console is equipped with two unbalanced (2×master, stereo) and four balanced outputs (2×master, stereo; 1×monitor, stereo; 1×AUX send, mono). The stereo master output [16] is electronically balanced, while the output [34] has been implemented floating and with transformers. The level of the outputs can be adjusted with the slide switch [14].</p> <ul style="list-style-type: none"> <li>■ BALANCED: +6 dBu/ +10 dBu/ +14 dBu</li> <li>■ UNBALANCED: 0 dBu/ +4 dBu/ +8 dBu</li> </ul>

### 3.5 Monitor module

1.775.450

<b>Talk back</b>	With the built-in microphone [11], spoken information can be placed directly on the MASTER or AUX bus. After the amplifiers the output level can be influenced with the VOLUME potentiometer [w]. Both SLATE TALK BACK keys must be pressed for making an announcement on the MASTER BUS. If only one of these keys is pressed, the signal will not be through-connected. To make an announcement on the AUX bus it is necessary to press the AUX TALK BACK key.
<b>Source selection</b>	The source to be monitored can be selected by the push-buttons [n] ...[s]. This selection is valid as well for the speaker / headphones as for the monitor output. Monitoring has no influence on the master signal.
<b>Internal monitor</b>	The left and right monitor buses are connected via the summing amplifiers and the inverter stage to the headphones socket [aa] and the sum of these signals to the speaker [10]. The listening volume can be controlled with the potentiometer [z]. The built-in speaker is automatically muted when the headphones are plugged into the socket.
<b>Monitor output</b>	The monitor bus is connected to the summing amplifiers and from there via the volume control [t] to the monitor output [24]. When opening an input fader the MONITOR CUT function can mute the monitor output. This function can be set for each channel with the DIP coding switch [41]. (cf. page E 1/6)

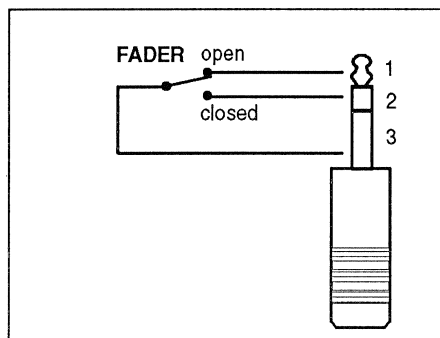


## 3.6 Input/output module

1.775.460

## Fader start

- The fader start logic is identical for all input and master modules.
- The linear fader in the individual input channels or the master module generates a VCA control voltage between 0 and +5 V. This voltage is also used for controlling the fader start logic. It is amplified in IC 9 by a very high gain factor ( $\times 1000$ ); for this reason even an extremely small voltage from the linear fader (short opening travel) suffices to create on IC 9 the voltage required for the start logic. Any further rise in the voltage will be limited by diode D5.
- When the linear fader is opened, the start relay becomes energized and drops out again when the fader is closed.
- The contacts of the FADER START socket (3.5mm jack) are controlled by the relay as depicted below. The common contact '3' and the ground connection of the mixer are isolated.

Corresponding fader **opened**:

- Contact 1 to contact 3
- Contact 2: not connected
- Contact 3: common

Corresponding fader **closed**:

- Contact 1: not connected
- Contact 2 to contact 3
- Contact 3: common

## INPUT Tape 1 + 2

- A balanced high-level signal can be connected directly to the stereo input TAPE 1 or TAPE 2 (XLR sockets, balanced).
- The two tape inputs have only a monitor function. They cannot be fed to the master signal. When you press the keys [q] or [r] of the control monitor unit, the tape signal can be connected directly to the monitor bus and be monitored.

## OUTPUT Tape 1 + 2

- The signals of the balanced type inputs are available unbalanced on the TAPE 1 and TAPE 2 outputs. From here they can be taken via a CINCH-CINCH connecting cable to any unbalanced input (STEREO).

The inputs and outputs TAPE 1 + 2 can be used universally as transformers for connecting balanced high-level sources to unbalanced hi-fi equipment.

**Coupling of two A779**

- For coupling two A779 mixing consoles, the BUS EXPANSION [33] sockets are to be interconnected. The position of the labelled plug on the connecting cable determines which console functions as the master or slave. From the slave console the master, AUX and PFL buses are connected directly to the corresponding buses of the master, i.e. the master faders are bypassed. The monitor cut function of the slave console cannot be used.

**VCA option**

- This mixing console is equipped for an external VCA control, e.g. for connection to the video editor BVE 900. For this purpose the D-type socket VCA-CONTROL [32] and an interface board (1.775.480.00) are to be installed (option 850: STI No. 20.779.850.00).

**3.7 Control room monitor module****1.775.470**

---

A signal source can be connected to the monitor bus via the keys [n] ... [s]. If PFL is selected, at least one PFL key of an input must be pressed. The following monitoring facilities exist: PFL, AUX send, AUX return, TAPE 1, TAPE 2, MASTER.

The VOLUME potentiometer [t] controls the level of the monitor output. The monitor speaker and the headphone volumes are adjusted with the PHONES potentiometer [z].

---

## 4 Disassembly Instructions

---

<b>4.1 General information</b> .....	1
4.1.1 Required tools .....	1
4.1.2 Reassembly .....	1
<b>4.2 Housing</b> .....	2
4.2.1 Separating the input/output modules from the mixing console .....	2
4.2.2 Bottom cover .....	2
4.2.3 Side panels .....	2
4.2.4 Rear housing panel (connector panel) .....	2
<b>4.3 Electronic assemblies</b> .....	4
4.3.1 Input/output board .....	4
4.3.2 Power supply .....	4
4.3.3 Input board .....	4
4.3.4 Master board .....	6
4.3.5 Microphone board .....	6
4.3.6 Control room monitor board .....	6
4.3.7 Monitor board and speaker .....	6
4.3.8 Display module .....	8
4.3.9 Power transformer .....	8
4.3.10 Interconnection board .....	8
4.3.11 Primary fuse .....	8
4.3.12 Secondary fuses .....	8

## 4 Disassembly instructions

---

### 4.1 General Information

---



**Caution:** Disconnect the mixing console from the AC power source before you remove any housing parts and electrical assemblies!

**Note:** Please refer to MOS handling instructions located at the beginning of this manual before you remove or install any electronic components!

#### 4.1.1 Required Tools

---

- 1 Phillips screwdriver, size 1
- 1 Phillips screwdriver, size 2
- 1 Phillips screwdriver „Pozidriv“, size 1
- 1 Phillips screwdriver „Pozidriv“, size 2
- 1 Screwdriver, size 00
- 1 Pair of tweezers,
- 1 Pair of flatnose pliers,
- 1 ESE workplace kit, Order No. **20.020.001.44**

**Recommendation:** The bench surface should be padded in order to prevent damaging the mixing console or marring of the housing surfaces.

#### 4.1.2 Reassembly

---

The unit is reassembled analogously by performing the disassembly instructions in the reverse order and the specific reassembly information.

## **4.2 Housing**

---

### **4.2.1 Separating the input/output modules from the mixing console**

---

- Unfasten the four fixing screws [1], Fig. 1.
- Lightly lift the input/output module on the connector side and separate the three connecting cables (four with optional VCA control).
- Pull out the module toward the back.

### **4.2.2 Bottom cover**

---

- Unfasten the 3 screws [2], Fig. 2, on the bottom of the housing and remove the cover.

### **4.2.3 Side panels**

---

- Unfasten 2 screws [3] each, Fig. 3.

### **4.2.4 Rear housing panel (connector panel)**

---

- Remove the upper trim strip [4], Fig. 3 by unfastening 3 screws [5].
- Separate the input/output module from the mixing console (Section 4.2.1).
- Remove the bottom panel (Section 4.2.2).
- Remove the side panels (Section 4.2.3).
- Remove the power supply (Section 4.3.2).
- Separate the following connectors:
  - 6 connections: input board --> interconnection board
  - 1 connection: master board --> interconnection board
  - 1 connection: monitor board --> interconnection board
  - 1 connection: display board --> interconnection board
- Unfasten 6 screws [6], Fig. 3, on the rear panel.
- The rear housing panel can be carefully removed together with the interconnection board.

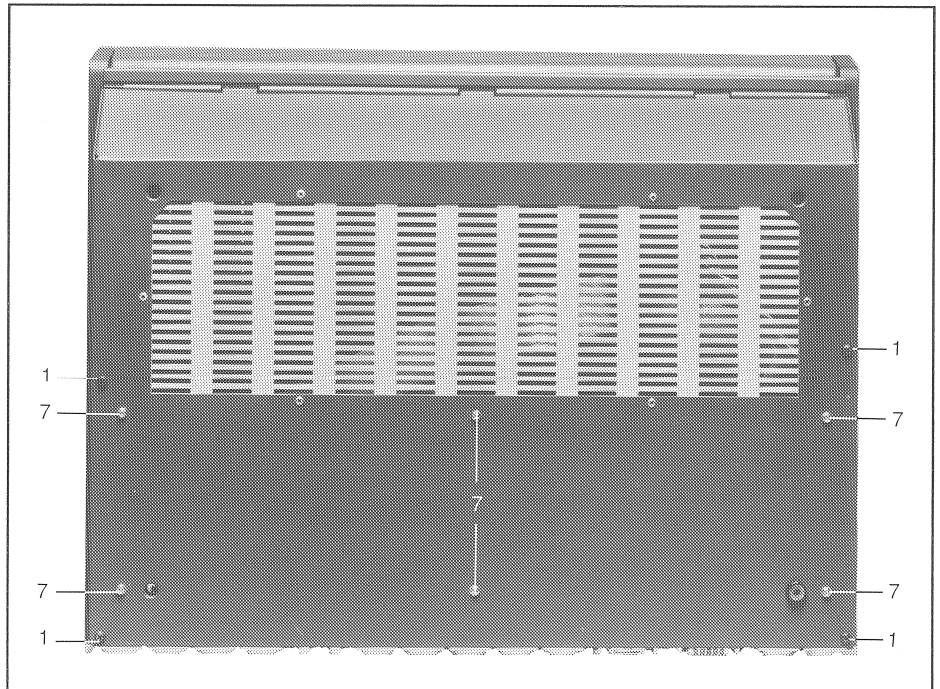


Fig. 1

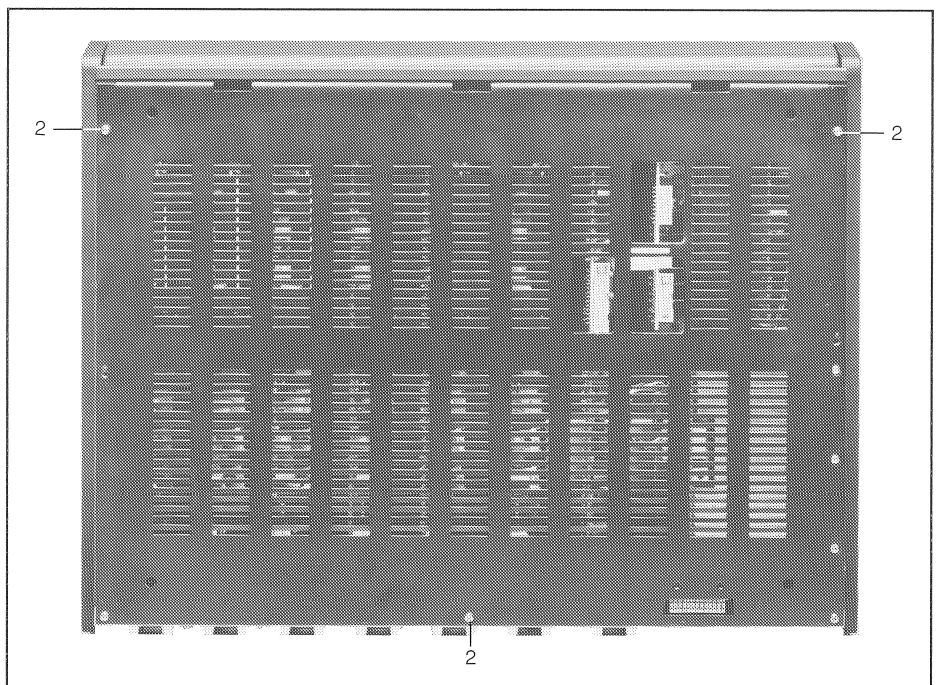


Fig. 2

## **4.3 Electronic assemblies**

---

### **4.3.1 Input/output board 1.775.460**

---

- Separate the input/output module from the mixing console (Section 4.2.1).
- Unfasten 6 screws [7], Fig. 1.
- With a screwdriver size 00 unfasten the housings of the XLR connectors and sockets. (Insert the screwdriver into the 4th hole and release the catch by turning the screwdriver lightly counterclockwise).
- Lightly loosen the two screws [8], Fig. 4 on each XLR flange.
- Remove the screw [9], Fig. 4.
- Carefully pull the input/output board toward the back and out of the housing.

### **4.3.2 Power supply 1.775.490**

---

- Separate the input/output module from the mixing console (Section 4.2.1).
- Remove the bottom cover (Section 4.2.2).
- Separate the following connections:
  - 1 connection: power supply --> display module
  - 1 connection: monitor board --> interconnection board
  - 1 connection: power supply --> power transformer
- Unfasten 3 screws [10], Fig. 5
- Carefully pull the power supply out of the interconnection board.

### **4.3.3 Input board 1.775.420**

---

- Remove the control knobs of the module to be removed. The AUX knob cannot be simply lifted off like the other knobs, it must first be unfastened with a screwdriver after the yellow cover has been removed.
- Separate the input/output module from the mixing console (Section 4.2.1).
- Remove the bottom cover (Section 4.2.2).
- Separate the following connections:
  - 1 connection: input board --> interconnection board
  - 1 or 2 connections: input board --> input or master board
- Unfasten 3 screws [11], Fig. 5.

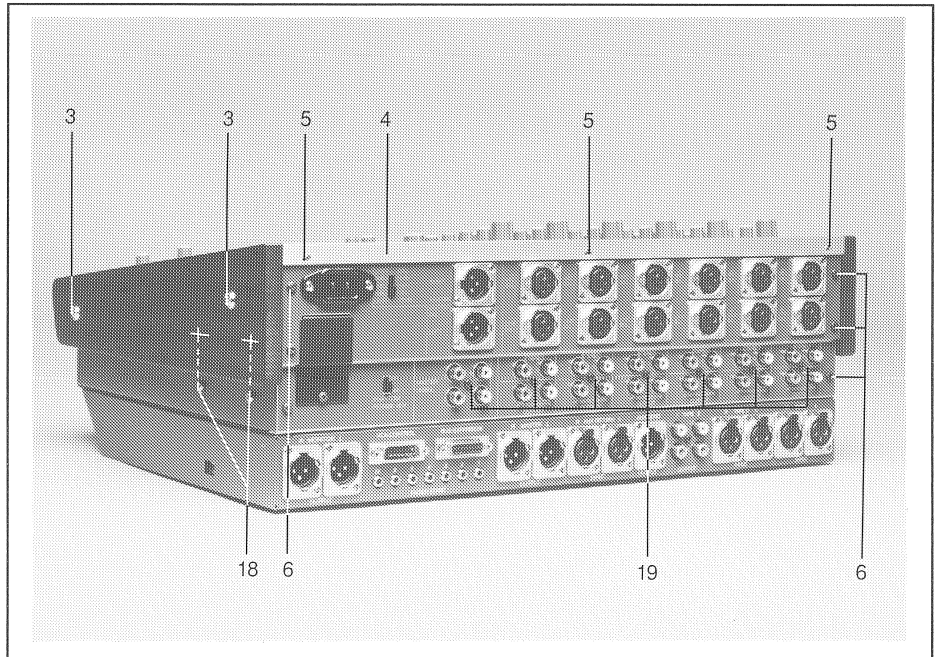


Fig. 3

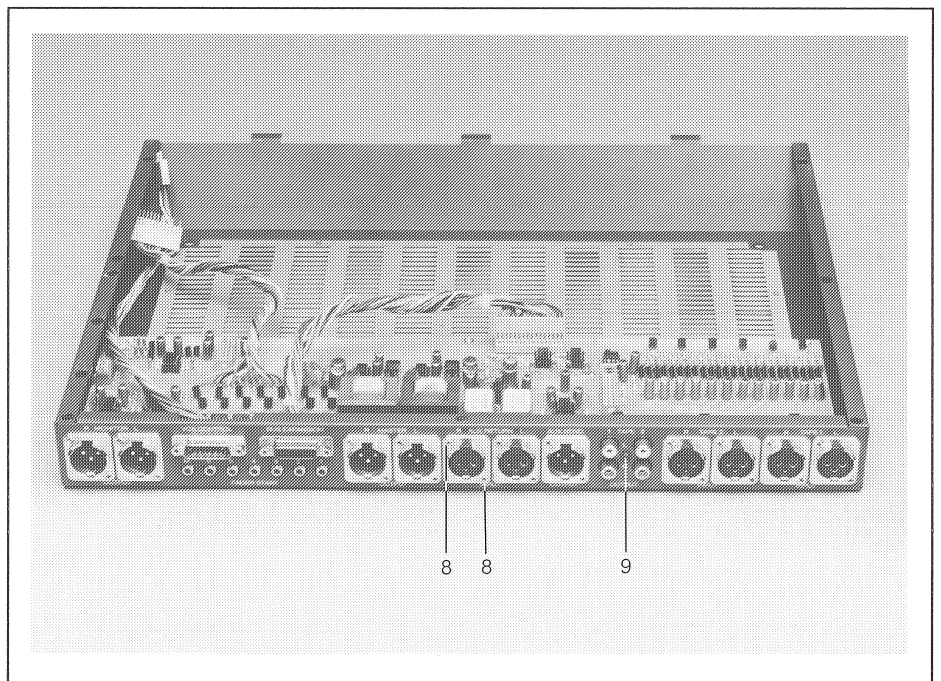


Fig. 4



#### **4.3.4 Master board 1.775.430**

---

- Remove the control knobs of the master module (they can be simply pulled off).
- Separate the input/output module from the mixing console (Section 4.2.1).
- Remove the bottom cover (Section 4.2.2).
- Separate the following connections:
  - 1 Connection: master board --> interconnection board
  - 1 Connection: master board --> Input board
  - 1 Connection: master board --> monitor board
  - 1 Connection: master board --> control room monitor board
- Unfasten 2 screws [12], Fig. 5.

#### **4.3.5 Microphone board 1.775.440**

---

- Separate the input/output module from the mixing console (Section 4.2.1).
- Remove the bottom cover (Section 4.2.2).
- Unfasten 1 screw [13], Fig. 5.
- Carefully pull the microphone board out of the monitor module.

#### **4.3.6 Control room monitor board 1.775.470**

---

- Pull off the speaker knob [t].
- Separate the input/output module from the mixing console (Section 4.2.1).
- Remove the bottom cover (Section 4.2.2).
- Separate the following connection:
  - 1 Connection: control room monitor board --> master board (Additional connector if optional VCA control is installed).
- Unfasten 2 screws [14], Fig. 5.

#### **4.3.7 Monitor board 1.775.450 and speaker**

---

- Remove the control knobs of the monitor module. They can be simply pulled off.
- Separate the input/output module from the mixing console (Section 4.2.1).
- Remove the bottom cover (Section 4.2.2).
- Remove the power supply (Section 4.3.2).
- Remove the microphone board (Section 4.3.5).
- Separate the following connections:
  - 1 Connection: monitor board --> master board
  - 1 Connection: monitor board -> interconnection board
  - 1 Connection: monitor board -> power transformer
- Unfasten 2 screws [15], Fig. 5, and [15], Fig. 6.
- Unfasten the 3 screws [16], Fig. 16, and remove the clamping sleeves of the bolts.
- Remove the monitor board together with the speaker.

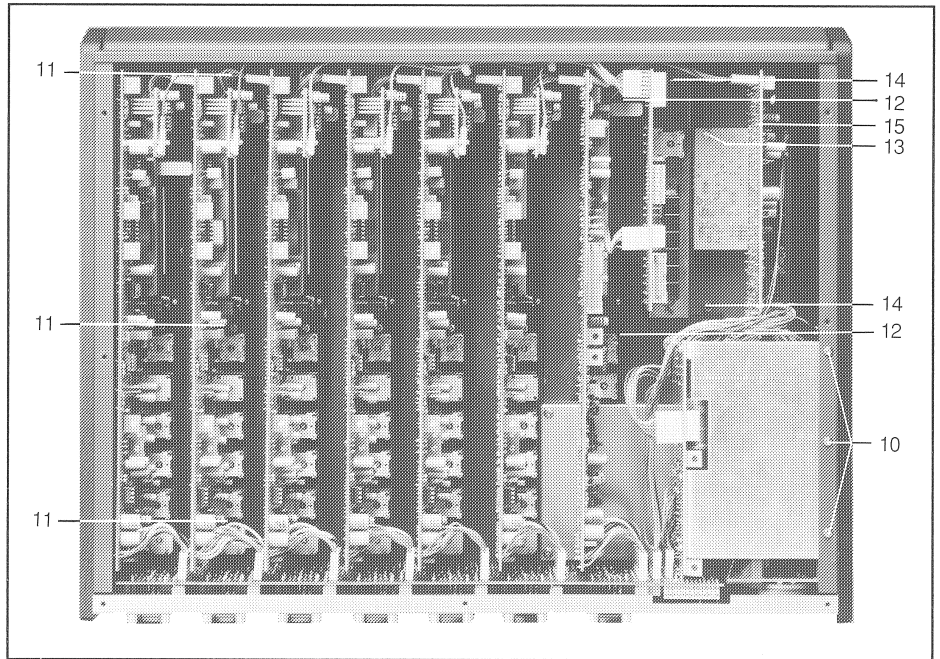


Fig. 5

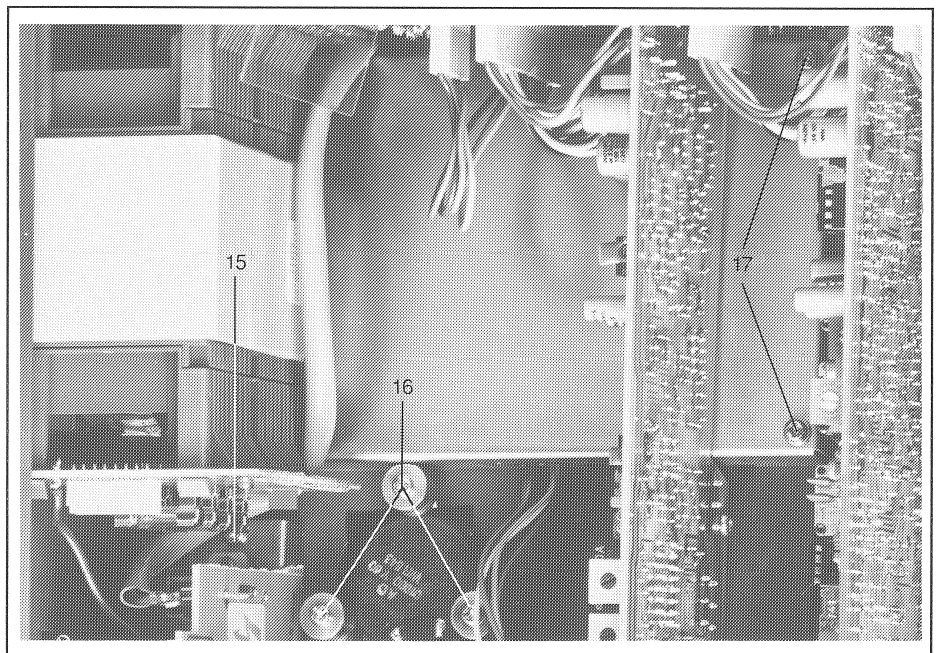


Fig. 6

#### 4.3.8 Display Module 1.775.310

---

- Separate the input/output module from the mixing console (4.2.1).
- Remove the bottom panel (4.2.2).
- Remove the POWER SUPPLY (4.3.2).
- Remove the master module (4.3.4).
- Remove the mains transformer (Section 4.3.9).
- Unfasten 2 screws [17], (fig. 6). The screening plate and the display module can now be removed.

#### 4.3.9 Mains Transformer

---

- Separate the input/output module from the mixing console (4.2.1).
- Remove the bottom panel (4.2.2).
- Remove the POWER SUPPLY (4.3.2).
- Remove the right-hand side panel (4.3.2).
- Open the cover to the line voltage selector.
- Separate the following connections:
  - 2 Connections: mains transformer → power inlet
  - 2 Connections: mains transformer → MONITOR BOARD
- Unfasten 4 screws [18], (fig. 3); two of the screws are located below the side panel.

#### 4.3.10 INTERCONNECTION BOARD 1.775.320

---

- Separate the input/output module from the mixing console (4.2.1).
- Remove the bottom panel (4.2.2).
- Remove the rear housing panel (connector panel) (4.2.4).
- With a screwdriver size 00 unfasten the housings of the XLR connectors and sockets (insert the screwdriver into the center hole and release the catch by turning the screwdriver lightly counterclockwise).
- Unfasten 7 screws [19], (fig. 3), and remove the bottom cover.

**Reinstallation instruction:** Make sure that the top cover is not twisted when you reinstall it.

#### 4.3.11 Primary Fuse

---

- Open the cover of the line voltage selector.
- The primary fuse is now accessible.

#### 4.3.12 Secondary Fuses

---



- Separate the input/output unit from the mixing console (Section 4.2.1).
- Remove the bottom cover (Section 4.2.2).
- Remove the POWER SUPPLY (Section 4.3.2).
- The secondary fuses are now accessible.  
(refer to component placement diagrams 1.775.210 / 220)

## 5. Alignment instructions

---

<b>5.1</b>	<b>General information</b> .....	<b>1</b>
5.1.1	Demagnetizing the microphone input transformers.....	2
5.1.2	Required measuring instruments.....	2
5.1.3	Preparatory steps.....	3
<b>5.2</b>	<b>Power supply</b> .....	<b>3</b>
5.2.1	Phantom supply.....	3
5.2.2	+15 V supply .....	3
5.2.3	-15 V supply .....	3
<b>5.3</b>	<b>Input module</b> .....	<b>4</b>
5.3.1	Input level.....	4
5.3.2	Input distortion.....	4
5.3.3	Input and master fader.....	5
<b>5.4</b>	<b>Master board</b> .....	<b>5</b>
5.4.1	Master distortion.....	5
<b>5.5</b>	<b>Display module</b> .....	<b>6</b>
5.5.1	Peak program meter .....	6
<b>5.6</b>	<b>Measuring the audio data</b> .....	<b>6</b>
5.6.1	Harmonic distortion.....	6
5.6.2	Output level and channel balance .....	7
5.6.3	Frequency response.....	7
5.6.4	Channel separation.....	8
5.6.5	Signal-to-noise ratio.....	8

## 5 Alignment instructions

### 5.1 General information

#### Level definitions

The levels are specified in dBu:

$$0 \text{ dBu} \triangleq 0.775 V_{\text{eff}}$$

- The level specifications in dBu are based on a fixed voltage value as the reference quantity:
- The reference quantity 0.775 V of the relative voltage level in dBu has been adopted from the value definition of the absolute voltage level in dBu, however, without being tied to the definition (600  $\Omega$ /1 mW).

Nominal level in dBu:

Nominal level = studio level at maximum recording volume

- Typical nominal levels are:
 

+6 dBu	=	1.55 $V_{\text{eff}}$
+10 dBu	=	2.45 $V_{\text{eff}}$
+14 dBu	=	3.88 $V_{\text{eff}}$

**Caution:**

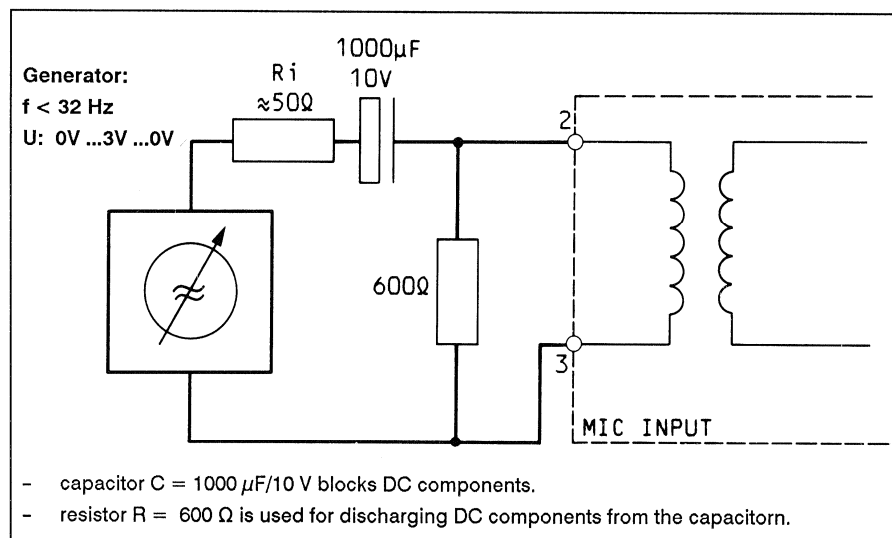
Electric shock hazard when the mixer is open! Certain components are energized with line voltage.

- Modules supplied by STUDER REVOX can be installed without prior alignment. Recalibration of the mixing console is necessary only after alterations to the individual modules have been made. This mixing console generation requires no scheduled maintenance. The only maintenance required is the occasional demagnetization of the input transformers as described below.

### 5.1.1 Demagnetizing the microphone input transformers

- Prohibited connection of unbalanced input sources or unintentional short-circuit to chassis of the a/b audio conductors of the microphone inputs with connected phantom supply drive the input transformers into saturation and cause permanent magnetization (remanence). This manifests itself in the form of significantly higher harmonic distortion and so-called microphonic noise: light mechanical action on the mixing console, e.g. tapping it, causes an audible modulation via the outputs even when the microphone inputs are not active.
- Remanence can also accumulate over extended operating periods.
- All microphone inputs should, therefore, be demagnetized periodically and prior to calibration:

- Procedure:**
- Switch off the mixing console. (To protect the connected speakers).
  - Feed a frequency of  $< 32$  Hz from an AF generator equipped via an isolating capacitor to the microphone input.



- Increase the supply level gradually from 0 V to 3 V.
- S l o w l y decrease the supply level to 0 V.

### 5.1.2 Required measuring instruments

- Digital voltmeter
- Audio voltmeter,  $R_z \geq 10 k\Omega$
- Audio generator,  $R_s \leq 200 \Omega$
- Distortion meter

---

### 5.1.3 Preparatory steps

---

- Unplug the power cord.
- Separate the input/output module from the mixing console (Section 4.2.1).
- Remove the bottom cover (Section 4.2.2).
- Set all faders to the  $-\infty$  position, the tone controls (bass and treble) to the center position, and the input selectors to the STEREO position.
- Position the mixing console upright on one of its side panels.
- Reconnect the mixing console to the AC outlet.

---

## 5.2 Power supply

---

1.775.490

---

### 5.2.1 Phantom supply

---

- Remove the power supply 1.775.490 (Section 4.3.2).
- Do not separate the connection power supply → power transformer.
- Connect the digital voltmeter to the pin 1 (0 V) of connector P2 and pin 5 (+48 V) of P2.
- Switch on the mixing console.
- With the trimmer potentiometer **RA3** adjust the voltage to +48 V.
- Switch off the mixing console and reinstall the power supply.

---

### 5.2.2 +15 V supply

---

- Connect the digital voltmeter on the master module 1.775.430 to J1 pin 2 (0V) and J1 pin 1.
- Switch on the mixing console.
- Align the voltage on the power supply 1.775.490 with the aid of the trimmer potentiometer **RA2** to +340 mV  $\pm$ 1 mV.

---

### 5.2.3 -15 V supply

---

- Connect the digital voltmeter on the master module 1.775.430 to J1 pin 2 (0V) and J1 pin 9.
- Switch on the mixing console.
- Align the voltage on the power supply 1.775.490 with the aid of the trimmer potentiometer **RA1** to -65 mV  $\pm$ 0.5 mV.

---

## 5.3 Input module

1.775.420

---

---

### 5.3.1 Input level

---

- Turn the input selector [a] to the STEREO position.
  - Turn the input level control [b] to the 0 dB position.
- Stereo input left**
- Feed 1 kHz/0 dBu (775 mV<sub>eff</sub>) from the audio generator to the unbalanced STEREO L [ad] input left.
  - Connect the audio voltmeter to the PRE FADER [af] output (range 0 dB/1 V).
  - With the trimmer potentiometer **RA11** align the PRE FADER [af] output to -6dBu (388 mV<sub>eff</sub>).
- Stereo input right**
- Feed 1 kHz/0 dBu (775 mV<sub>eff</sub>) from the audio generator to the unbalanced STEREO R [ad] input right.
  - With the trimmer potentiometer **RA12** align the PRE FADER [af] output to -6 dBu (388 mV<sub>eff</sub>).
- Mono input**
- Turn the input selector [a] to the MONO position.
  - Feed 1 kHz/+6 dBu (1.55 V<sub>eff</sub>) from the audio generator to the unbalanced line input MONO [ac].
  - With the trimmer potentiometer **RA13** align the PRE FADER [af] output to 0 dBu (775 mV<sub>eff</sub>).

---

### 5.3.2 Input distortion

---

- Turn the input selector [a] to the STEREO position.
  - Turn the input level control [b] to 0 dB.
- Left channel**
- Feed 1 kHz/0 dBu (775 mV<sub>eff</sub>) from the audio generator to the STEREO L [ad] input left.
  - Connect the voltmeter to the AFTER FADER [ae] output (range 0 dB/1 V).
  - With the linear fader [h] align to -6 dBu (388 mV<sub>eff</sub>).
  - Connect the distortion meter to the AFTER FADER [ae] output.
  - With the trimmer potentiometer **RA4** align for minimum distortion.
- Right channel**
- Feed 1 kHz/0 dBu (775 mV<sub>eff</sub>) from the audio generator to the STEREO R [ad] input right.
  - Connect the voltmeter to the AFTER FADER [ae] output (range 0 dB/1 V).
  - With the linear fader [h] align to -6 dBu (388 mV<sub>eff</sub>).
  - Connect the distortion meter to the AFTER FADER [ae] output.
  - With the trimmer potentiometer **RA3** align for minimum distortion.



### 5.3.3 Input fader

---

- Feed 1 kHz/0 dBu (775 mV<sub>eff</sub>) from the audio generator to the STEREO L [ad] input left.
- Connect the voltmeter to the AFTER FADER [ae] output (range 0 dB/1 V).
- Turn the input selector [a] to the STEREO position.
- Set the linear fader [h] to the 0 dB position.
- With the input level control [b] align to 0 dBu (775 mV<sub>eff</sub>).
- Set the linear fader to the -60 dB position and with the trimmer potentiometer **RA14** align the AFTER FADER [ae] output to -60 dBu.

## 5.4 Master module

---

1.775.430

### 5.4.1 Master fader

---

- Feed 1kHz/0dBu (775 mV<sub>eff</sub>) to the unbalanced input STEREO L [ad].
- Set the linear fader [h] to the 0 dB position.
- Connect the voltmeter to the UNBAL [17] master output (range 0 dB/1 V).
- Set the master fader [m] to the 0 dB position.
- With the input level control [b] align to 0 dBu (775 mV<sub>eff</sub>).
- Set the linear fader to the -60 dB position and with trimmer potentiometer **RA6** align to -60 dB.

### 5.4.2 Master distortion

---

- The six input modules must be aligned first. The linear faders of the inputs [2] ... [6] must be set to the  $-\infty$  position.

#### Left channel

- Feed 1 kHz/0 dBu (775 mV<sub>eff</sub>) from the audio generator to the STEREO L [ad] input left.
- Connect the voltmeter to the UNBAL L [17] master output left (range 0dB/1V).
- Turn the input selector [a] to the STEREO position.
- Set the input fader and the master fader [h and m] to the 0 dB position.
- With the input level control [b] align to 0 dBu (775 mV<sub>eff</sub>).
- Connect the distortion meter to the UNBAL L [17] master output left.
- With the trimmer potentiometer **RA1** align for minimum distortion.

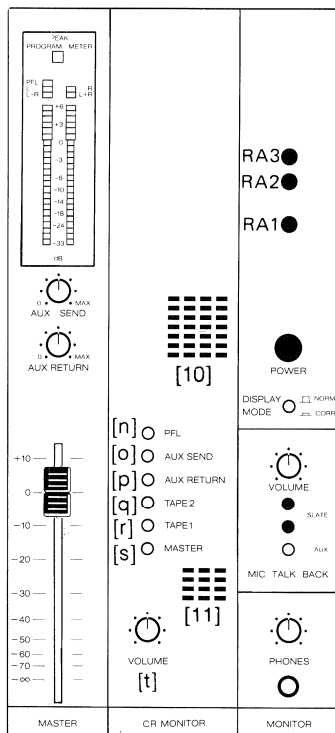
Right channel

- Feed 1 kHz/0 dBu (775 mV<sub>eff</sub>) from the audio generator to the STEREO R [ad] input right.
- Connect the voltmeter to the UNBAL R [17] master output right (0dB/1V).
- Turn the input selector [a] to the STEREO position.
- Set the input fader and the master fader [h and m] to the 0 dB position.
- With the input level control [b] align to 0 dBu (775 mV<sub>eff</sub>).
- Connect the distortion meter to the UNBAL R [17] master output right.
- With the trimmer potentiometer **RA2** align for minimum distortion.

5.5 Display module

1.775.310

5.5.1 Peak program meter



- With the audio generator feed 1 kHz/0 dBu (775 mV<sub>eff</sub>) to the STEREO L [ad] input left.
- Connect the voltmeter to the MASTER OUTPUT BALANCED [16] left (range 10 dB/3 V).
- Turn the input selector [a] to the STEREO position.
- Set the input fader and the master fader [h and m] to the 0 dB position.
- Set the slide switch for the master output level [14] to the +6 dBu position.
- With the input fader [b] align to +6 dBu (1.55 V<sub>eff</sub>).
- Select the MASTER key [s] on the monitor selector.
- With the trimmer potentiometer **RA3** (accessible from the front), adjust the left-hand bargraph in such a way that the 0 dB LED lights up.
- Align the right-hand bargraph in the same way with **RA2**.
- The brightness of the indication can be adjusted with **RA1**. The contrast to the ambient light is additionally controlled by a light-sensitive resistor.

5.6 Measuring the audio Data

- Harmonic distortion
- Output level
- Frequency response
- Channel separation
- Signal-to-noise ratio

### 5.6.1 Harmonic distortion

---

- With the audio generator feed 1 kHz/0 dBu ( $775 \text{ mV}_{\text{eff}}$ ) to the unbalanced STEREO L [ad] input left of the first input module.
- Connect the voltmeter to the UNBAL L [17] master output left (range 0 dB/1 V).
- Set the input selector [a] to the STEREO position.
- Set the input fader and the master fader [h and m] to the 0 dB position.
- With the input level control [b] align to 0 dBu (775 mV).
- Connect the distortion meter to the UNBAL L [17] master output left.
  
- The measured distortion should not exceed **0.03%**.
  
- Measure the harmonic distortion of the right channel accordingly.

### 5.6.2 Output level and channel balance

---

- With the audio generator feed 1 kHz/0 dBu ( $775 \text{ mV}_{\text{eff}}$ ) to the unbalanced STEREO L [ad] input left of the first input module.
- Connect the voltmeter to the MASTER OUTPUT BALANCED [16] left (range 10 dB/3 V).
- Set the input selector [a] to the STEREO position.
- Set the input fader and the master fader [h and m] to the 0 dB position.
- Set the slide switch [14] for the master output level to the 6 dBu position.
- With the input level control [b] align to +6 dBu ( $1.55 \text{ V}_{\text{eff}}$ ).
- The corresponding values must be measured with the slide switch [14] in the +10 dBu and +14 dBu positions.
  
- Repeat the measurements with the right-hand channel. The **channel balance** should be **better than 1.5 dB**.

### 5.6.3 Frequency response

---

- With the audio generator feed 1 kHz/0 dBu ( $775 \text{ mV}_{\text{eff}}$ ) to the unbalanced STEREO L [ad] input left of the first input module.
- Connect the voltmeter to the MASTER OUTPUT BALANCED [17] left (range 0 dB/1 V).
- Set the input selector [a] to the STEREO position.
- Set the input fader and the master fader [h and m] to the 0 dB position.
- Set the slide switch [14] for the master output level to the 6 dBu position.
- With the input level control [b] align to 6 dBu ( $1.55 \text{ V}_{\text{eff}}$ ).
- Vary the audio generator frequency from 20 Hz to 20 kHz. The output level should not fluctuate by more than  **$\pm 1$  dB**.
  
- Repeat the measurement with the right-hand channel.

#### 5.6.4 Channel separation

---

- With the audio generator feed 1 kHz/0 dBu ( $775 \text{ mV}_{\text{eff}}$ ) to the unbalanced STEREO L [ad] input **left** of the first input module.
- Terminate the unbalanced STEREO R [ad] input right with a **1 k $\Omega$  resistor**.
  
- Connect the voltmeter to the MASTER OUTPUT BALANCED [16] left (range 10 dB/3 V).
- Set the input selector [a] to the STEREO position.
- Set the input fader and the master fader [h and m] to the 0 dB position.
- Set the slide switch [14] for the master output level to the 6 dBu position.
- With the input level control [b] align to +6 dBu ( $1.55 \text{ V}_{\text{eff}}$ ).
  
- Connect the voltmeter to the MASTER OUTPUT BALANCED [16] **right**.
- The measured **cross talk** should be **> 50 dB**.
  
- Repeat the measurement with swapped channels.
- If the input fader [h] is set to the  $-\infty$  position, the **switch-off attenuation** is **> 85 dB**. If in place of the input fader the master fader [m] is set to the  $-\infty$  position, the switch-off attenuation is **> 90 dB**.

#### 5.6.5 Signal-to-noise ratio

---

- With the audio generator feed 1 kHz/0 dBu ( $775 \text{ mV}_{\text{eff}}$ ) to the unbalanced STEREO L [ad] input left of the first input module.
- Connect the voltmeter to the MASTER OUTPUT BALANCED [16] left (range 10 dB/3 V).
- Set the input selector [a] to the STEREO position.
- Set the input fader and the master fader to the 0 dB position.
- Set the slide switch [14] for the master output level to the 6 dBu position.
- With the input level control [b] align to +6 dBu ( $1.55 \text{ V}_{\text{eff}}$ ).
  
- Connect the voltmeter to the MASTER OUTPUT BALANCED [16] **right**.
- Disconnect the audio generator from the input and terminate the input with a **1 k $\Omega$  resistor**.
  
- The measured **signal-to-noise ratio** should be **> 100 dB**.
  
- Repeat the measurement with the right-hand channel.

## Schemata / Circuit Diagrams

---

### A779 / MR8 (common diagrams)

---

Abbreviations .....		2
Block Diagram Mixer .....		3
Mains Transformer .....	1.775.200.81	4
Distributor Primary .....	1.775.210.00	4
Distributor Secondary .....	1.775.221.00	5
Power Supply Unit .....	1.775.490.00 (A779)	6
Power Supply Unit .....	1.775.491.00 (MR8)	6
Input Unit .....	1.775.420.81	10
Interface Unit .....	1.775.485.00	14
Master Unit .....	1.775.430.81	16
Monitor Unit .....	1.775.451.00	20

### A779 (specific diagrams)

---

Input Output Unit .....	1.775.460.00	24
C.R. Monitor Unit .....	1.775.470.00	33
Display Unit .....	1.775.310.00	34
Connection Unit .....	1.775.410.00	39

### MR8 (specific diagrams)

---

Input Output Unit .....	1.775.070.00	42
C.R. Monitor Unit .....	1.775.470.00	51
Display Unit .....	1.775.311.00	52
Connection Unit .....	1.775.060.00	57
D-Type Connector .....	1.775.035.15	60

**ABBREVIATIONS**

**COMPONENTS**

B	bulb	LC	LC Display
BA	battery, accumulator	LS	loudspeaker
BR	optocoupler B->LDR	M	motor
C	capacitor	ME	meter
D	diode, DIAC	MIC	microphone
DL	LED light-emit. diode	MP	mechanical part
DLQ	optocoupler LED->QP	P	plug (male)
DLR	optocoupler LED->DLR	PU	pick up
DLZ	LED array, 7s.display	Q	transistor
DP	photodiode	QP	phototransistor
DZ	rectifier	R	resistor
EF	headphones	RP	photosensitive resist.
F	fuse	RT	temp. sensit. resist.
FL	filter	RZ	resistor array
H	head (sound-/erase-)	S	switch
HC	hybrid circuit	T	transformer
HE	hall element	TL	delay line
IC	integrated circuit	TP	test point
J	jack (female)	W	wire, stranded wire
JS	jumper	X	socket, holder
K	relay, contactor	XB	lamp socket
L	coil, inductance	XF	fuse holder
LC	LC Display	XIC	IC socket
LS	loudspeaker	Y	quartz, piezo element
L	coil, inductance	Z	network, array

**SPECIFICATIONS OF ELEMENTS**

CC	Carbon film	PCF	Carbon film
Cer	Ceramic	Petp	Polyester
Cerm	Cermet	Pme	Metallised polyester
EI	Electrolytic	PP	Polypropylen
Mf	Metal film	Si	Silicon
MP	Metal paper	Tri	Trimmer

**MANUFACTURER OF COMPONENTS**

ADI	Analog Devices Inc.	RCA	Radio Corporation
AMP	Ampex	---	RIVA
Com	Componex	SDS	
Dam	Dam Electronic	Sie	Siemens
Del	Delevan	SIG	Signetics
Ex	Exar	---	Stetner
GI	General Instruments	---	Stocko
Ha	Harris	St	Studer
Hi	Hirschmann	Sx	Siliconix
ITT	Intermetall, Valvo	Ti	Texas Instruments
Mot	Motorola	TDK	TDK
NEC	Nippon Electr. Corp.	---	Toko
NS	Nat. Semiconductors	To	Toshiba
Ph	Philips	Vi	Videlec
Ra	Raytheon		

**POWERS OF TEN**

Milli- m 10 <sup>-3</sup>	Micro- μ 10 <sup>-6</sup>	Nano- n 10 <sup>-9</sup>	Pico- p 10 <sup>-12</sup>	Femto- f 10 <sup>-15</sup>	Tera- T 10 <sup>12</sup>	Giga- G 10 <sup>9</sup>	Mega- M 10 <sup>6</sup>	Kilo- k 10 <sup>3</sup>
---------------------------------	---------------------------------	--------------------------------	---------------------------------	----------------------------------	--------------------------------	-------------------------------	-------------------------------	-------------------------------

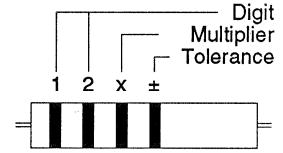
**CODE LETTERS AND COLORS**

**RESISTORS**

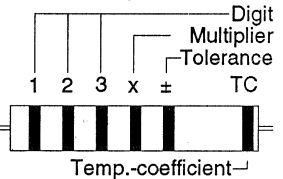
COLOR	DIG	x	±	TC
gold	-	0,01	5%	-
silver	-	0,1	10%	-
black	0	1	-	-
brown	1	10	1%	100·10 <sup>-6</sup> /K
red	2	100	2%	50·10 <sup>-6</sup> /K #
orange	3	1k	-	15·10 <sup>-6</sup> /K
yellow	4	10k	-	25·10 <sup>-6</sup> /K
green	5	100k	0,5%	-
blue	6	1M	0,25%	-
violet	7	10M	0,1%	-
grey	8	-	-	-
white	9	-	-	-

# either no mark for TC, or red.  
1 black ring only: 0Ω (= bridge)

■ SERIES E6/E12/E24



■ SERIES E48



**CAPACITORS**

The tolerance category is sometimes specified by a letter after the rated capacitance.

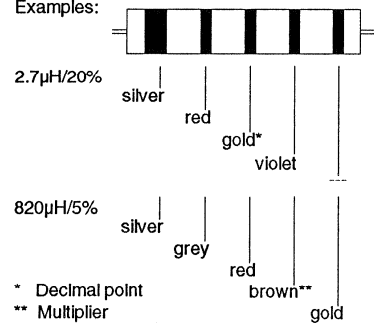
D = 0,5%	J = 5%
F = 1%	K = 10%
G = 2%	M = 20%

**MOLDED RF COILS**

A wide silver-colored ring and 4 thin, differently colored rings identify molded RF coils. The wide silver ring indicates the start of the counting direction. The second, third, and fourth ring indicate the inductance in micro Henry (μH), where two of the three rings represent the numeric value, the third one either a multiplier or the decimal point. In the latter case it has a golden color. The fifth ring identifies the tolerance in percent (±).

COLOR	DIG	x	±
black	0	1	-
brown	1	10	1%
red	2	100	2%
orange	3	10 <sup>3</sup>	-
yellow	4	10 <sup>4</sup>	-
green	5	10 <sup>5</sup>	0.5%
blue	6	10 <sup>6</sup>	-
violet	7	10 <sup>7</sup>	-
grey	8	10 <sup>8</sup>	-
white	9	10 <sup>9</sup>	-
gold	.	-	5%
silver	-	-	10%
any	-	-	20%

Examples:

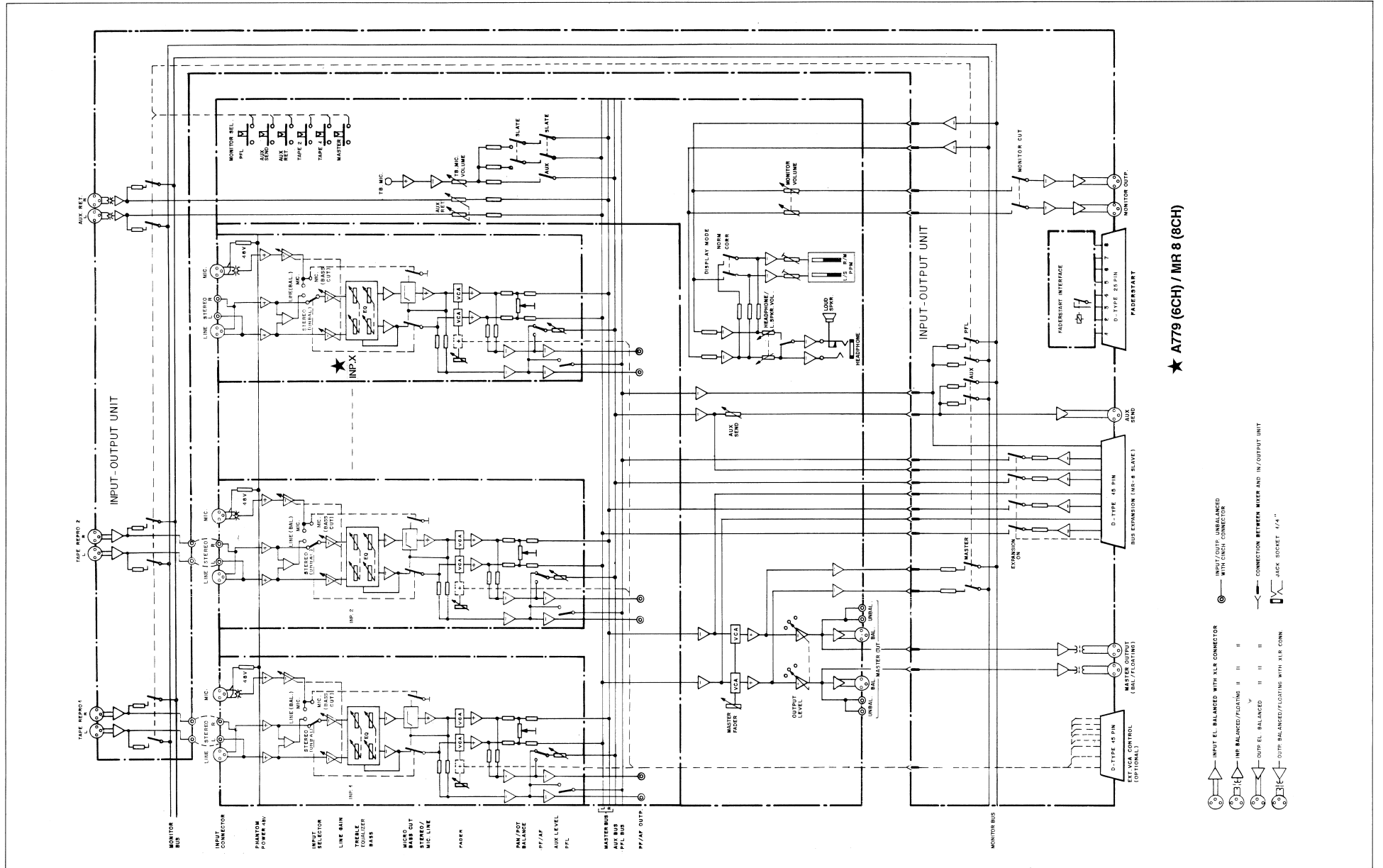


**NOTE:**

Some of the order numbers contained in the following lists are used for production purposes only. The reference numbers may deviate for service purposes.

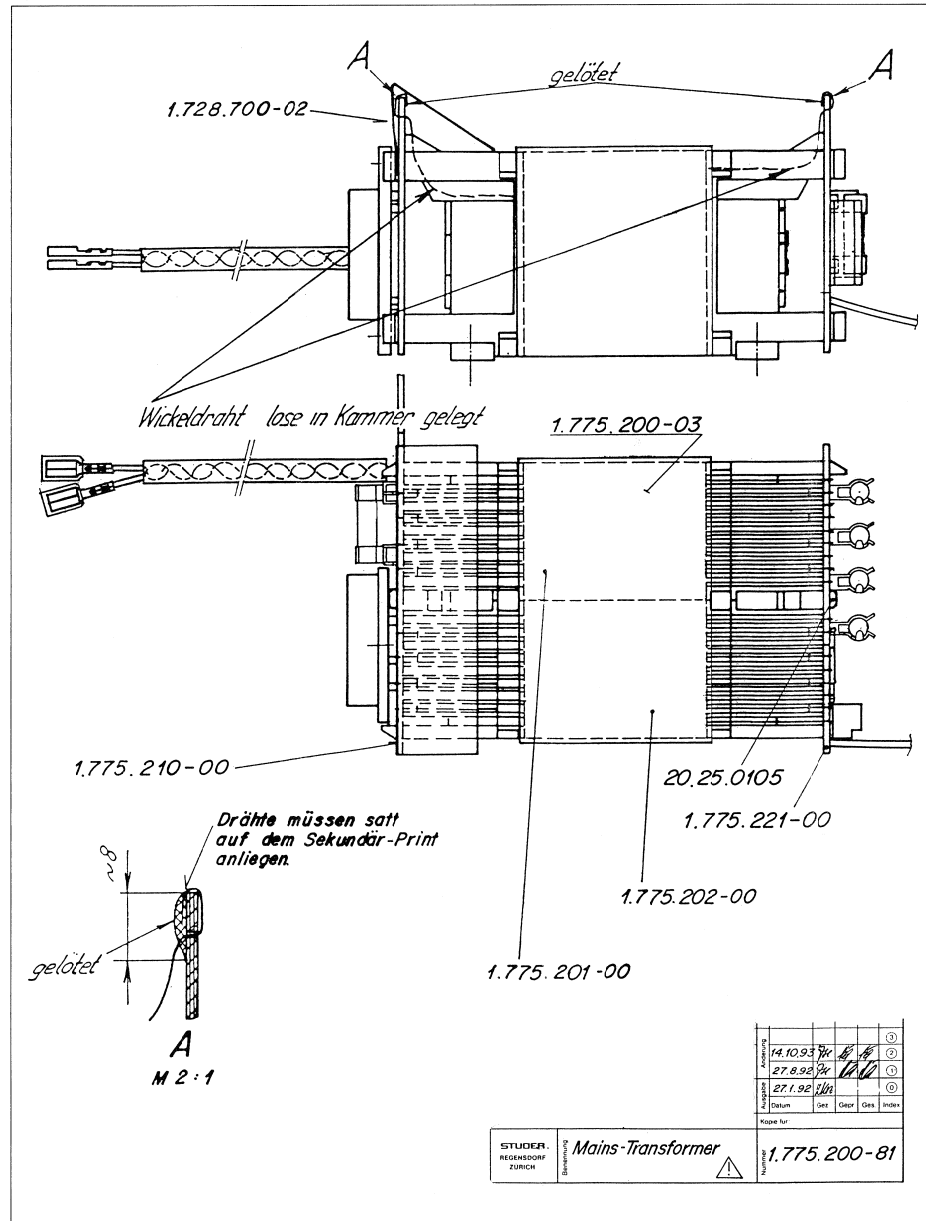
Electrical components such as resistors, capacitors, transistors, IC's etc. having no special unit-specific number and not being identified respectively should be purchased locally.

BLOCK DIAGRAM MIXER A779 / MR 8

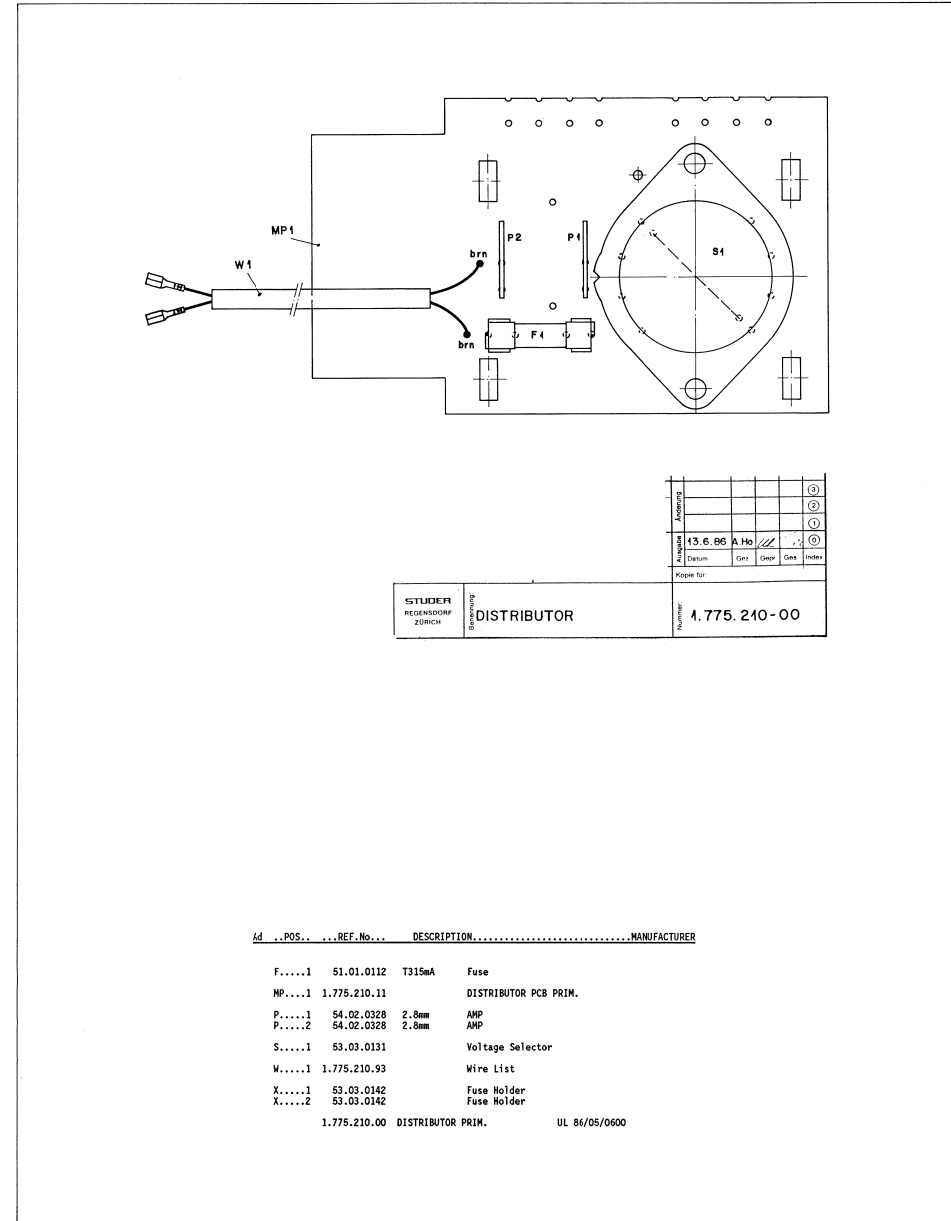


★ A779 (6CH) / MR 8 (8CH)

MAINS TRANSFORMER 1.775.200.81  
 - DISTRIBUTOR PRIMARY 1.775.210.00  
 - DISTRIBUTOR SECONDARY 1.775.221.00

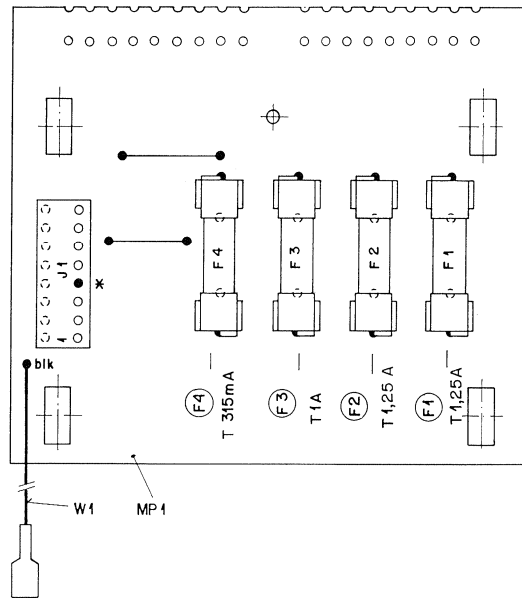


DISTRIBUTOR PRIMARY 1.775.210.00





DISTRIBUTOR SECONDARY 1.775.221.00



\* Codierung : Schaltdraht 64.04.0108  $\phi$  0,8 x 8mm  
(muss 1mm vorstehen)

Ausgabe	Änderung								
Datum	Gez.	Grpr	Ges	Index					
2.12.91	A.Ho								

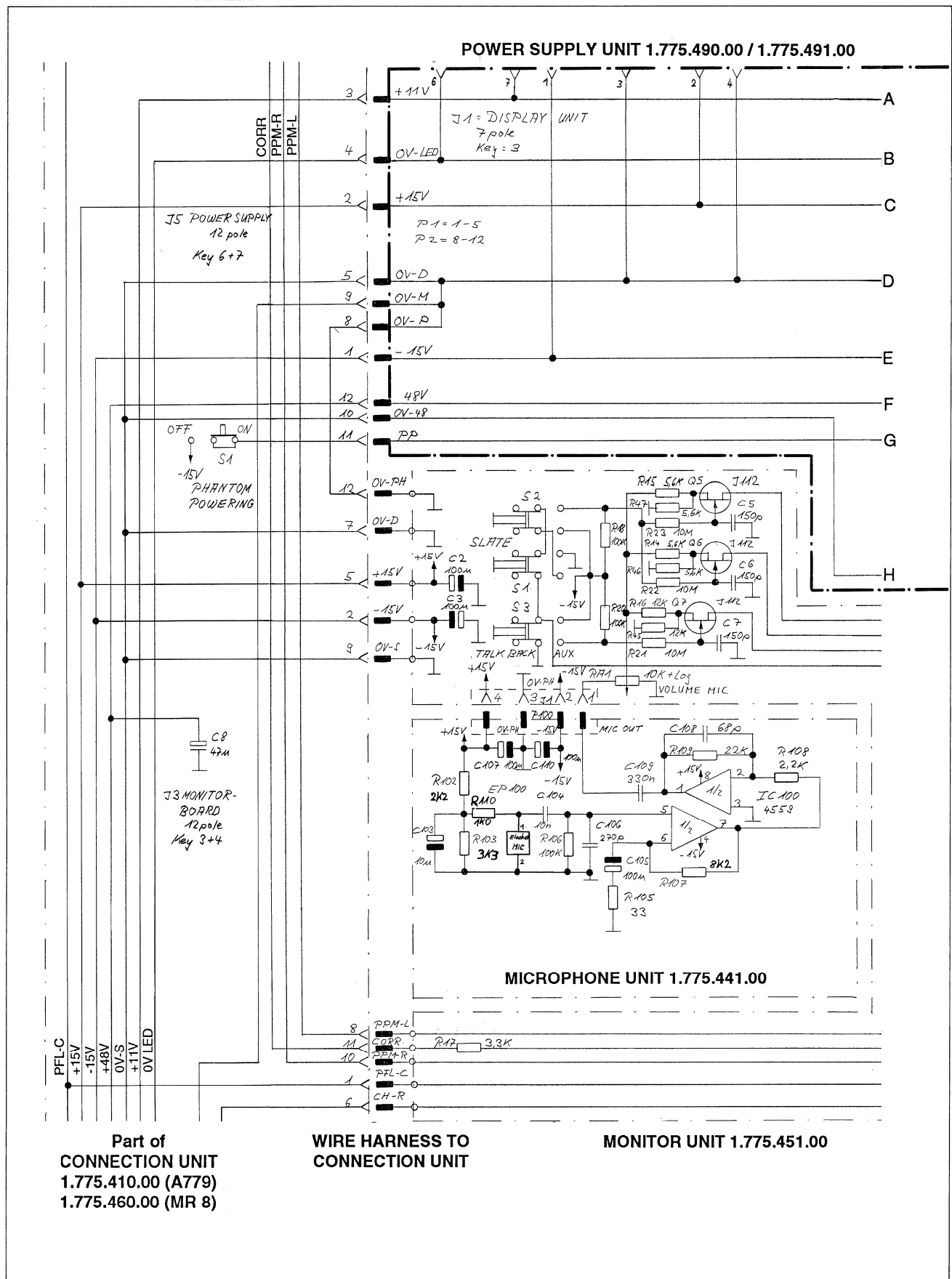
<b>STUDER</b> REGENS DORF ZÜRICH	Bezeichnung: <b>DISTRIBUTOR</b>	Nummer: <b>1.775.221-00</b>
		Kopie für:

Ad	..POS..	..REF.No..	DESCRIPTION.....	MANUFACTURER
F.....1	51.01.0118	T1.25A	Fuse	
F.....2	51.01.0118	T1.25A	Fuse	
F.....3	51.01.0117	T1A	Fuse	
F.....4	51.01.0112	T315mA	Fuse	
J.....1	54.01.0289	8Pole	CIS	
MP....1	1.775.221.11		DISTRIBUTOR PCB SEC.	
W.....1	1.775.220.93		Wire List	
X.....1	53.03.0142		Fuse Holder	
X.....2	53.03.0142		Fuse Holder	
X.....3	53.03.0142		Fuse Holder	
X.....4	53.03.0142		Fuse Holder	
X.....5	53.03.0142		Fuse Holder	
X.....6	53.03.0142		Fuse Holder	
X.....7	53.03.0142		Fuse Holder	
X.....8	53.03.0142		Fuse Holder	

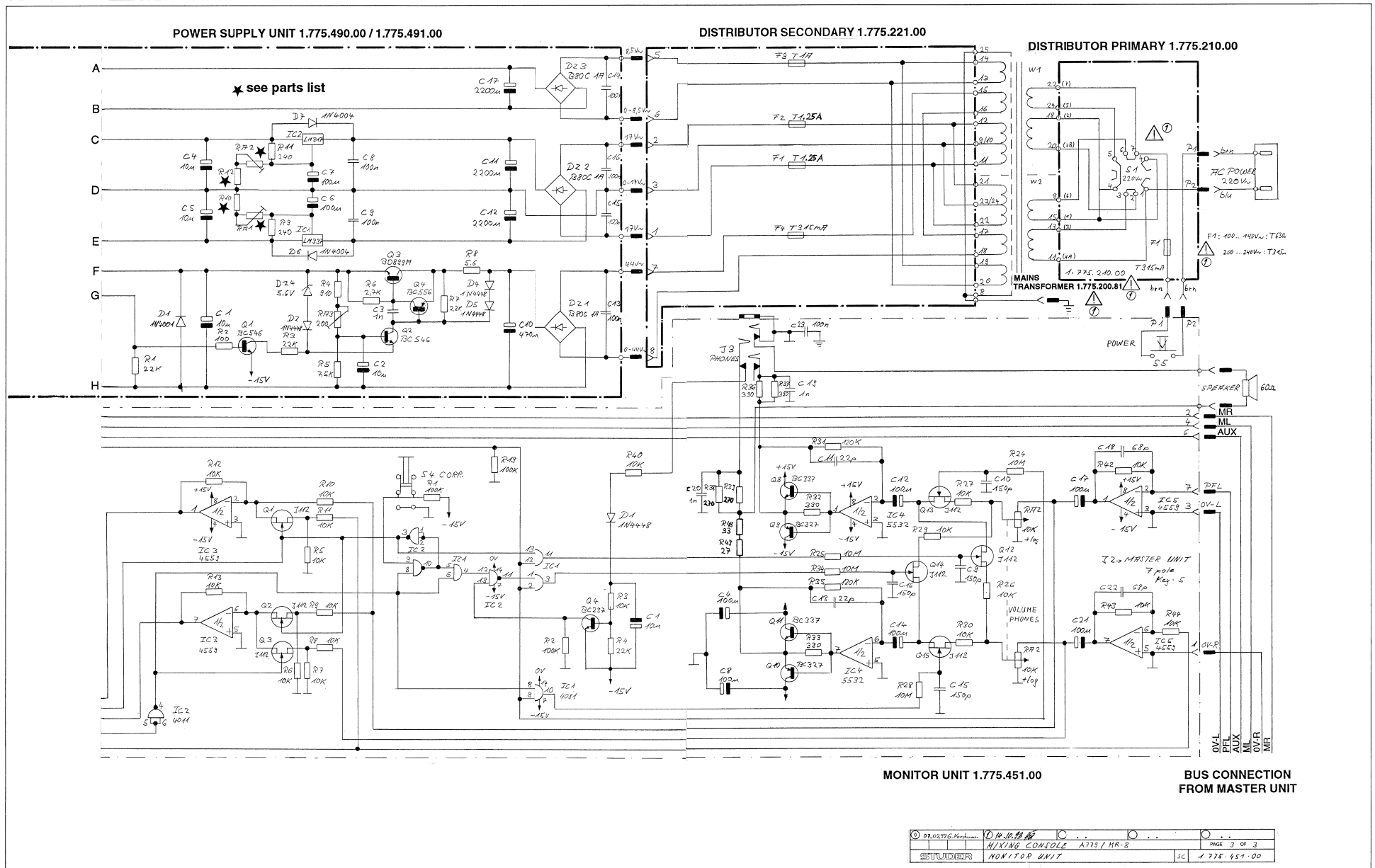
1.775.221.00 DISTRIBUTOR SEC. KG 92/01/2200

**POWER SUPPLY UNIT 1.775.490.00 (A779) / 1.775.491.00 (MR 8)**

- MAINS TRANSFORMER 1.775.200.81
- DISTRIBUTOR PRIMARY 1.775.210.00
- DISTRIBUTOR SECONDARY 1.775.221.00

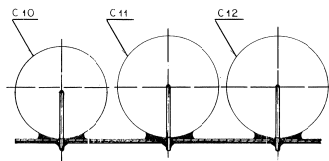
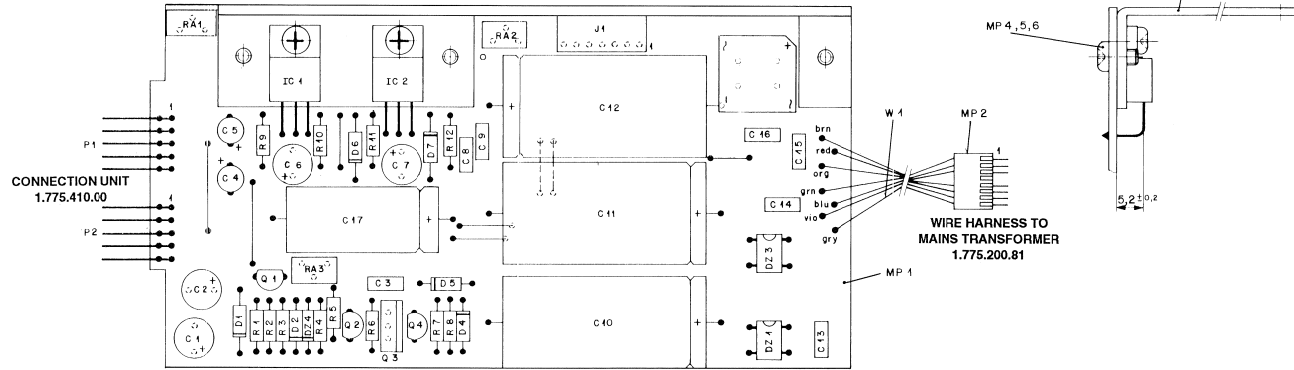


- POWER SUPPLY UNIT 1.775.490.00 (A779) / 1.775.491.00 (MR 8)
- MAINS TRANSFORMER 1.775.200.81
- DISTRIBUTOR PRIMARY 1.775.210.00
- DISTRIBUTOR SECONDARY 1.775.221.00



02.02.1976	U. H. 10. 10. 10. 10.	1.775.451.00	PAGE 3 OF 3
STUHLER	MONITOR UNIT	IC	1.775.451.00

POWER SUPPLY 1.775.490.00 (A779)



Author	Author	①
Date	Gez	②
9.5.89	Gez	③
	Gez	④
	Gez	⑤
Kopie für		
Number	1.775.490-00	

STUDER REGENSDORF ZÜRICH	Bemerkung	POWER SUPPLY ESE
Number		1.775.490-00

Ad	POS	REF.No	DESCRIPTION	MANUFACTURER
C....1	59.22.8100	10 uF	-20%, 63V, EL	
C....2	59.22.8100	10 uF	-20%, 63V, EL	
C....3	59.06.0102	1 nF	10%, 25V, PETP	
C....4	59.22.6100	10 uF	-20%, 25V, EL	
C....5	59.22.6100	10 uF	-20%, 25V, EL	
C....6	59.22.5101	100 uF	-20%, 25V, EL	
C....7	59.22.5101	100 uF	-20%, 25V, EL	
C....8	59.06.0104	100 nF	10%, 25V, PETP	
C....9	59.06.0104	100 nF	10%, 25V, PETP	
C....10	59.25.7471	470uF	-20%, 100V, EL	
C....11	59.25.5222	2200uF	-20%, 40V, EL	
C....12	59.25.5222	2200uF	-20%, 40V, EL	
C....13	59.06.0104	100 nF	10%, 25V, PETP	
C....14	59.06.0104	100 nF	10%, 25V, PETP	
C....15	59.06.0104	100 nF	10%, 25V, PETP	
C....16	59.06.0104	100 nF	10%, 25V, PETP	
C....17	59.25.3222	2200uF	-20%, 16V, EL	
D....1	50.04.0105	1N 4004		
D....2	50.04.0125	1N 4448		
D....3	50.04.0125	1N 4448		
D....4	50.04.0125	1N 4448		
D....5	50.04.0105	1N 4004		
D....6	50.04.0105	1N 4004		
D....7	50.04.0105	1N 4004		
DZ...1	70.01.0216		140V 0.8A	
DZ...2	70.01.0226		280V 2.0A	
DZ...3	70.01.0216		140V 0.8A	
DZ...4	50.04.1108		5.6V Z	
IC...1	50.10.0105		LH317	NS
IC...2	50.10.0104		LH317	NS
J....1	54.01.0263	7-Pole	CIS	
MP...1	1.775.490.11		POWER SUPPLY PCB	
MP...2	54.01.0265		CIS	
MP...3	1.775.300.01	8-Pole	Heat Sink	
MP...4	21.38.0353		Screw	
MP...5	21.38.0353		Screw	
MP...6	21.38.0353		Screw	
MP...7	21.38.0355		Screw	
MP...8	21.38.0355		Screw	
MP...9	37.01.0101		Washer	
MP...10	37.01.0101		Washer	
MP...11	37.01.0101		Washer	
MP...12	37.01.0101		Washer	
MP...13	50.20.0404		Insulating bushing	
MP...14	50.20.0404		Insulating bushing	
MP...15	50.20.0305		Insulator	
MP...16	50.20.0305		Insulator	
MP...17	1.010.098.27		Washer	
MP...18	1.010.098.27		Washer	
MP...19	1.775.490.01		Nr. Label	
MP...20	43.01.0106		ESE Label	
P....1	54.01.0425	5-Pole	CIS	
P....2	54.01.0425	5-Pole	CIS	
Q....1	50.03.0491	BC 546	NPN	
Q....2	50.03.0491	BC 546	NPN	
Q....3	50.03.0512	BD 899A	NPN	
Q....4	50.03.0492	BC 556	PNP	
R....1	57.11.3223	22 KOhm	1%, 0.25W, MF	
R....2	57.11.3101	100 Ohm	1%, 0.25W, MF	
R....3	57.11.3223	22 KOhm	1%, 0.25W, MF	
R....4	57.11.3911	910 Ohm	1%, 0.25W, MF	
R....5	57.11.3752	7.5 KOhm	1%, 0.25W, MF	
R....6	57.11.3272	2.7 KOhm	1%, 0.25W, MF	
R....7	57.11.3222	2.2 KOhm	1%, 0.25W, MF	
R....8	57.11.3569	5.6 Ohm	1%, 0.25W, MF	
R....9	57.11.3241	240 Ohm	1%, 0.25W, MF	
R....10	57.11.3242	2.4 KOhm	1%, 0.25W, MF	
R....11	57.11.3241	240 Ohm	1%, 0.25W, MF	
R....12	57.11.3242	2.4 KOhm	1%, 0.25W, MF	
RA....1	58.01.9501	500 Ohm	-10%, 0.50W, C	
RA....2	58.01.9501	500 Ohm	-10%, 0.50W, C	
RA....3	58.01.9201	200 Ohm	-10%, 0.50W, C	
W.....1	1.775.300.93		Wire List	

EL=Electrolytic, C=Ceramic, PETP=Polyester  
MF=Metal Film  
MANUFACTURER: NS=National Semiconductor  
1.775.490.00 POWER SUPPLY UL 89/04/2800



POWER SUPPLY 1.775.491.00 (MR 8)

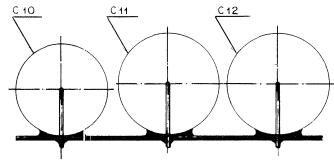
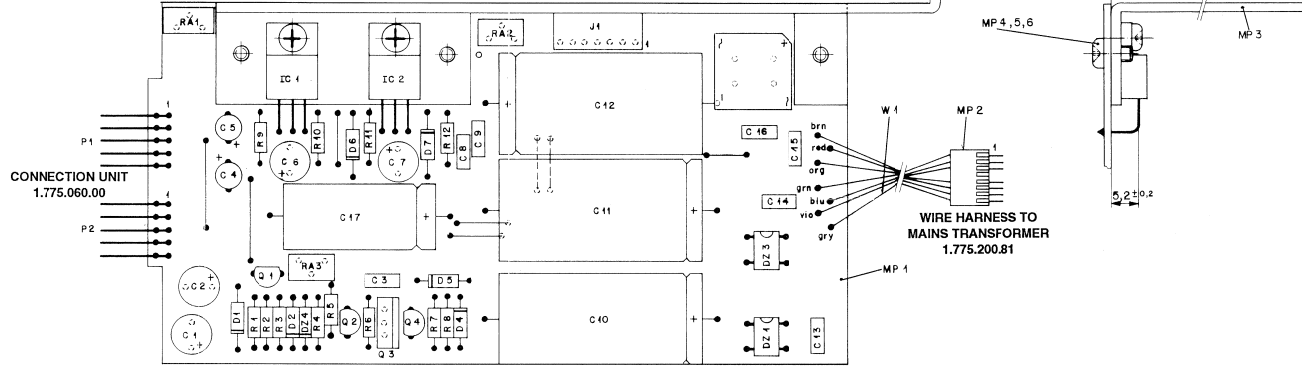


Abbildung					
12	12	31			
Detail	Gez.	Geor.	Gez.	index	

STUDER REGENSDORF ZÜRICH	Bezeichnung <b>POWER SUPPLY ESE</b>	Nummer <b>1.775.491-00</b>
--------------------------------	--	-------------------------------

Ad	POS.	REF.No.	DESCRIPTION	MANUFACTURER
C....1	59.22.8100	10 uF	-20%, 63V, EL	
C....2	59.22.8100	10 uF	-20%, 63V, EL	
C....3	59.06.0102	1 nF	10%, 25V, PETP	
C....4	59.22.5100	10 uF	-20%, 25V, EL	
C....5	59.22.6100	10 uF	-20%, 25V, EL	
C....6	59.22.5101	100 uF	-20%, 25V, EL	
C....7	59.22.5101	100 uF	-20%, 25V, EL	
C....8	59.06.0104	100 nF	10%, 25V, PETP	
C....9	59.06.0104	100 nF	10%, 25V, PETP	
C....10	59.25.7471	470uF	-20%,100V, EL	
C....11	59.25.5222	2200uF	-20%, 40V, EL	
C....12	59.25.5222	2200uF	-20%, 40V, EL	
C....13	59.06.0104	100 nF	10%, 25V, PETP	
C....14	59.06.0104	100 nF	10%, 25V, PETP	
C....15	59.06.0104	100 nF	10%, 25V, PETP	
C....16	59.06.0104	100 nF	10%, 25V, PETP	
C....17	59.25.3222	2200uF	-20%, 16V, EL	
D....1	50.04.0105	1N 4004		NS
D....2	50.04.0125	1N 4448		NS
D....4	50.04.0125	1N 4448		NS
D....5	50.04.0125	1N 4448		NS
D....6	50.04.0105	1N 4004		NS
D....7	50.04.0105	1N 4004		NS
DZ...1	70.01.0216		140V 0.8A	
DZ...2	70.01.0226		280V 2.0A	
DZ...3	70.01.0216		140V 0.8A	
DZ...4	50.04.1108		5.6V Z	
IC...1	50.10.0105		LM337	
IC...2	50.10.0104		LM317	
J....1	54.01.0263		7-Pole	CIS
MP...1	1.775.490.11		8-Pole	POWER SUPPLY PCB
MP...2	54.01.0265			CIS
MP...3	1.775.035.05			Heat Sink
MP...4	21.38.0353			Screw
MP...5	21.38.0353			Screw
MP...6	21.38.0353			Screw
MP...7	21.38.0355			Screw
MP...8	21.38.0355			Screw
MP...9	37.01.0101			Washer
MP...10	37.01.0101			Washer
MP...11	37.01.0101			Washer
MP...12	37.01.0101			Washer
MP...13	50.20.0404			Insulating bushing
MP...14	50.20.0404			Insulating bushing
MP...15	50.20.0305			Insulator
MP...16	50.20.0305			Insulator
MP...17	1.010.098.27			Washer
MP...18	1.010.098.27			Washer
MP...19	1.775.491.01			Wf. Label
MP...20	43.01.0108			ESE Label
P....1	54.01.0425		5-Pole	CIS
P....2	54.01.0425		5-Pole	CIS
Q....1	50.03.0491		BC 546	NPN
Q....2	50.03.0491		BC 546	NPN
Q....3	50.03.0512		BD 899A	NPN
Q....4	50.03.0492		BC 556	PNP
R....1	57.11.3223		22 Kohm	1%, 0.25W, MF
R....2	57.11.3101		100 Ohm	1%, 0.25W, MF
R....3	57.11.3223		22 Kohm	1%, 0.25W, MF
R....4	57.11.3911		910 Ohm	1%, 0.25W, MF
R....5	57.11.3752		7.5 Kohm	1%, 0.25W, MF
R....6	57.11.3272		2.7 Kohm	1%, 0.25W, MF
R....7	57.11.3222		2.2 Kohm	1%, 0.25W, MF
R....8	57.11.3569		5.6 Ohm	1%, 0.25W, MF
R....9	57.11.3241		240 Ohm	1%, 0.25W, MF
R....10	57.11.3182		1.8 Kohm	1%, 0.25W, MF
R....11	57.11.3241		240 Ohm	1%, 0.25W, MF
R....12	57.11.3202		2.0 Kohm	1%, 0.25W, MF
RA....1	58.01.9102		1.0 Kohm	-10%, 0.50W, C
RA....2	58.01.9102		1.0 Kohm	-10%, 0.50W, C
RA....3	58.01.9201		200 Ohm	-10%, 0.50W, C
W....1	1.775.300.93			Wire List

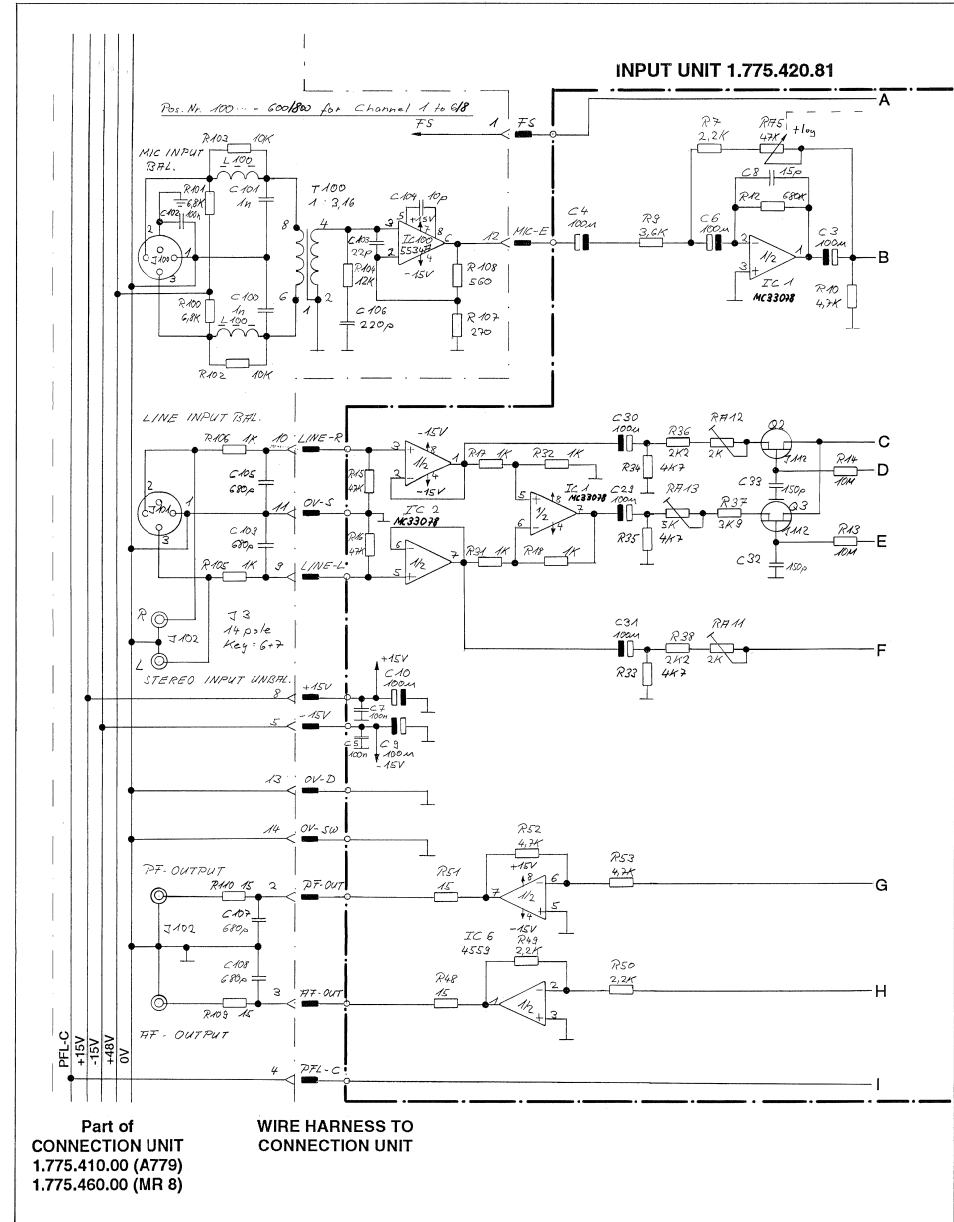
EL=Electrolytic, C=Ceramic, PETP=Polyester  
MF=Metal Film

MANUFACTURER: NS=National Semiconductor

1.775.491.00 POWER SUPPLY

KG 92/01/2200

INPUT UNIT 1.775.420.81

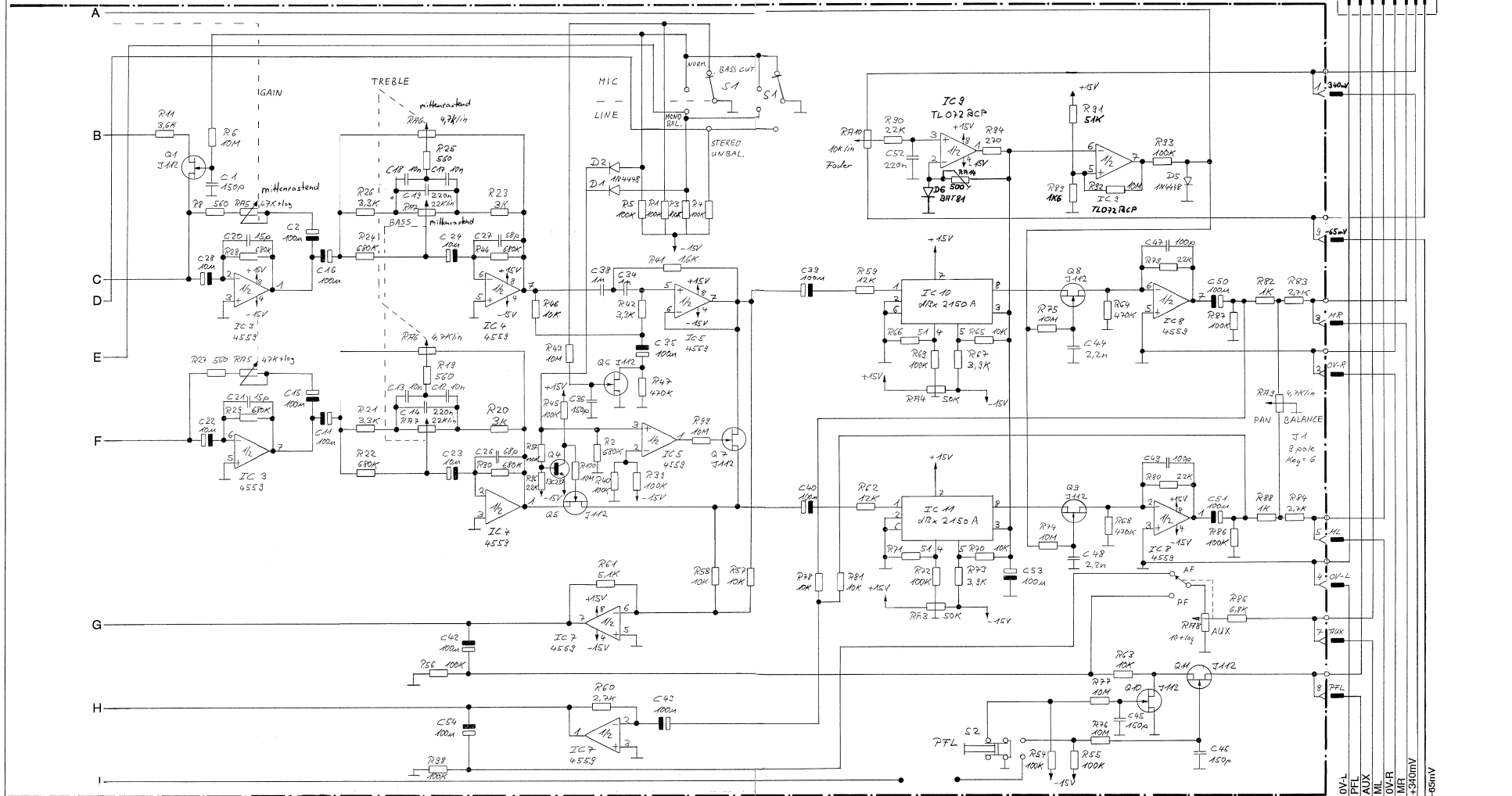




INPUT UNIT 1.775.420.81

INPUT UNIT 1.775.420.81

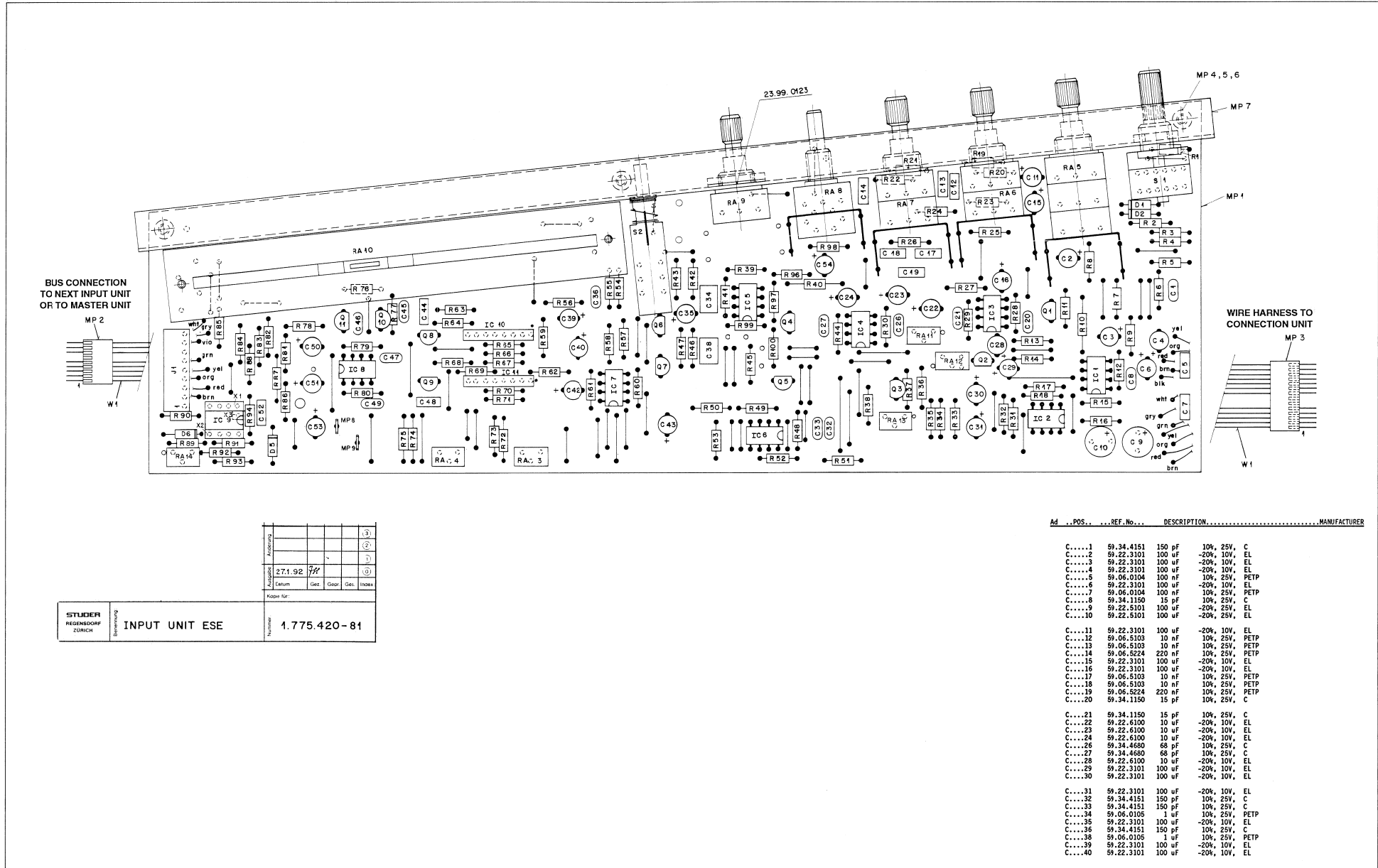
BUS CONNECTION TO NEXT INPUT UNIT OR TO MASTER UNIT



BUS CONNECTION FROM INPUT UNIT

© 2011/12/15/16/17/18/19/20/21/22/23/24/25/26/27/28/29/30/31/32/33/34/35/36/37/38/39/40/41/42/43/44/45/46/47/48/49/50/51/52/53/54/55/56/57/58/59/60/61/62/63/64/65/66/67/68/69/70/71/72/73/74/75/76/77/78/79/80/81/82/83/84/85/86/87/88/89/90/91/92/93/94/95/96/97/98/99/100	© 2011/12/15/16/17/18/19/20/21/22/23/24/25/26/27/28/29/30/31/32/33/34/35/36/37/38/39/40/41/42/43/44/45/46/47/48/49/50/51/52/53/54/55/56/57/58/59/60/61/62/63/64/65/66/67/68/69/70/71/72/73/74/75/76/77/78/79/80/81/82/83/84/85/86/87/88/89/90/91/92/93/94/95/96/97/98/99/100	© 2011/12/15/16/17/18/19/20/21/22/23/24/25/26/27/28/29/30/31/32/33/34/35/36/37/38/39/40/41/42/43/44/45/46/47/48/49/50/51/52/53/54/55/56/57/58/59/60/61/62/63/64/65/66/67/68/69/70/71/72/73/74/75/76/77/78/79/80/81/82/83/84/85/86/87/88/89/90/91/92/93/94/95/96/97/98/99/100	© 2011/12/15/16/17/18/19/20/21/22/23/24/25/26/27/28/29/30/31/32/33/34/35/36/37/38/39/40/41/42/43/44/45/46/47/48/49/50/51/52/53/54/55/56/57/58/59/60/61/62/63/64/65/66/67/68/69/70/71/72/73/74/75/76/77/78/79/80/81/82/83/84/85/86/87/88/89/90/91/92/93/94/95/96/97/98/99/100
STUDER	INPUT UNIT	IC 1 775 420 81	PAGE 2 OF 3

INPUT UNIT 1.775.420.81



BUS CONNECTION TO NEXT INPUT UNIT OR TO MASTER UNIT

WIRE HARNESS TO CONNECTION UNIT

STUDER REGENSDORF ZÜRICH	INPUT UNIT ESE	1.775.420-81	Ausgang				Anschluss
			Einheit	Ger.	Größe	Ein.	
Knoten Nr.:			271.92	77			

Ad.	POS.	REF.No.	DESCRIPTION	MANUFACTURER
C....1	59.34.4151	150 pF	10%, 25V, C	
C....2	59.22.3101	100 uF	-20%, 10V, EL	
C....3	59.22.3101	100 uF	-20%, 10V, EL	
C....4	59.22.3101	100 uF	-20%, 10V, EL	
C....5	59.06.0104	100 nF	10%, 25V, PETP	
C....6	59.22.3101	100 uF	-20%, 10V, EL	
C....7	59.06.0104	100 nF	10%, 25V, PETP	
C....8	59.34.1150	15 pF	10%, 25V, C	
C....9	59.22.3101	100 uF	-20%, 25V, EL	
C....10	59.22.3101	100 uF	-20%, 25V, EL	
C....11	59.22.3101	100 uF	-20%, 10V, EL	
C....12	59.06.5103	10 nF	10%, 25V, PETP	
C....13	59.06.5103	10 nF	10%, 25V, PETP	
C....14	59.06.5224	220 nF	10%, 25V, PETP	
C....15	59.22.3101	100 uF	-20%, 10V, EL	
C....16	59.22.3101	100 uF	-20%, 10V, EL	
C....17	59.06.5103	10 nF	10%, 25V, PETP	
C....18	59.06.5103	10 nF	10%, 25V, PETP	
C....19	59.06.5224	220 nF	10%, 25V, PETP	
C....20	59.34.1150	15 pF	10%, 25V, C	
C....21	59.34.1150	15 pF	10%, 25V, C	
C....22	59.22.6100	10 uF	-20%, 10V, EL	
C....23	59.22.6100	10 uF	-20%, 10V, EL	
C....24	59.22.6100	10 uF	-20%, 10V, EL	
C....26	59.34.4680	68 pF	10%, 25V, C	
C....27	59.34.4680	68 pF	10%, 25V, C	
C....28	59.22.6100	10 uF	-20%, 10V, EL	
C....29	59.22.3101	100 uF	-20%, 10V, EL	
C....30	59.22.3101	100 uF	-20%, 10V, EL	
C....31	59.22.3101	100 uF	-20%, 10V, EL	
C....32	59.34.4151	150 pF	10%, 25V, C	
C....33	59.34.4151	150 pF	10%, 25V, C	
C....34	59.06.0105	1 uF	10%, 25V, PETP	
C....35	59.22.3101	100 uF	-20%, 10V, EL	
C....36	59.34.4151	150 pF	10%, 25V, C	
C....38	59.06.0105	1 uF	10%, 25V, PETP	
C....39	59.22.3101	100 uF	-20%, 10V, EL	
C....40	59.22.3101	100 uF	-20%, 10V, EL	

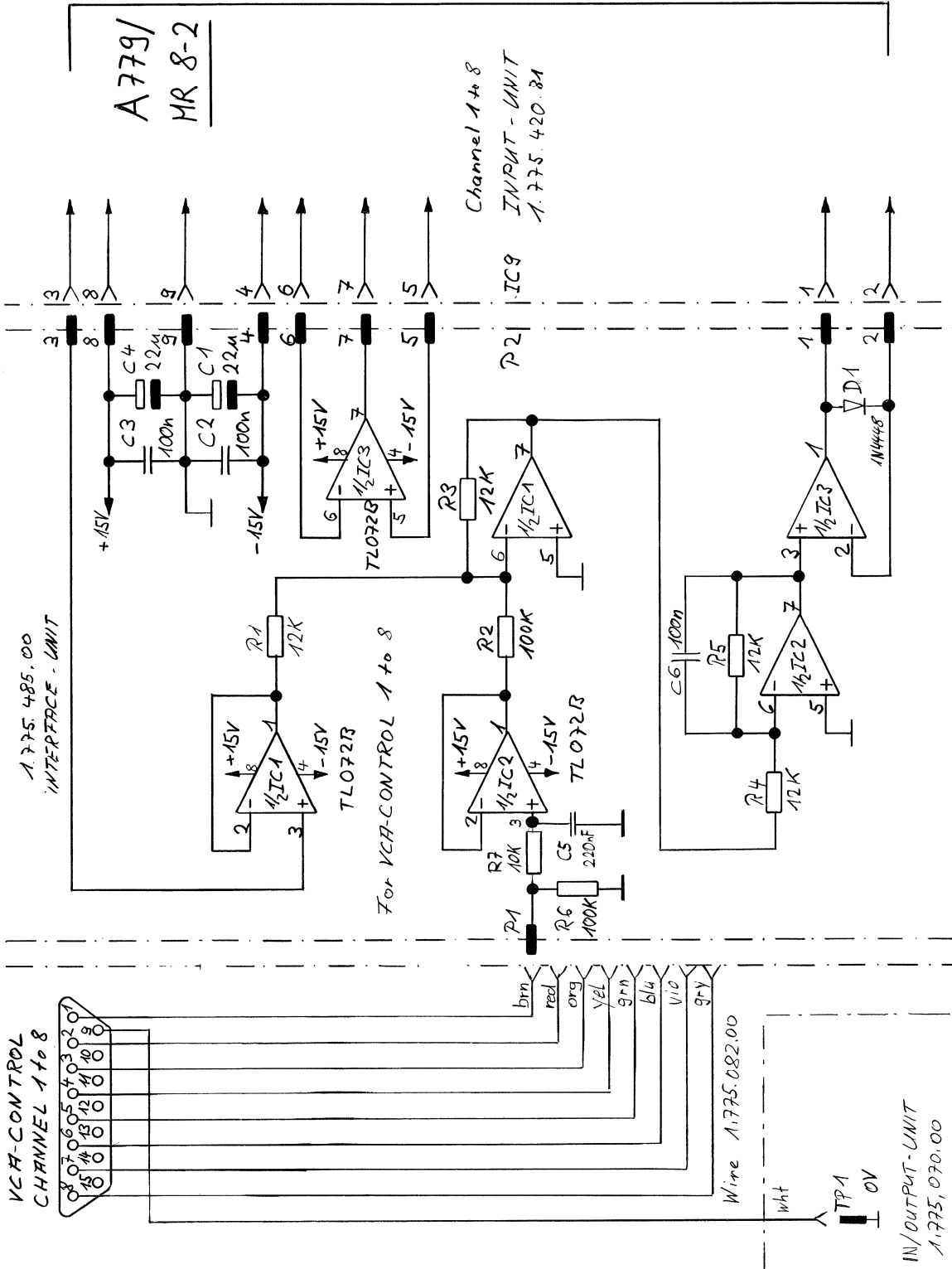




INPUT UNIT 1.775.420.81

Ad	POS.	REF.No.	DESCRIPTION	MANUFACTURER	Ad	POS.	REF.No.	DESCRIPTION	MANUFACTURER
C....42		59.22.3101	100 uF	-20%, 10V, EL	R....41		57.11.3162	1.6 KOhm	1%, 0.25W, MF
C....43		59.22.3101	100 uF	-20%, 10V, EL	R....42		57.11.3332	3.3K Ohm	1%, 0.25W, MF
C....44		59.06.0222	2.2 nF	10%, 25V, PETP	R....43		57.11.5106	10 MOhm	5%, 0.25W, MF
C....45		59.34.4151	150 pF	10%, 25V, C	R....44		57.11.3684	680 KOhm	1%, 0.25W, MF
C....46		59.34.4151	150 pF	10%, 25V, C	R....46		57.11.3104	100 KOhm	1%, 0.25W, MF
C....47		59.34.4101	100 pF	10%, 25V, C	R....47		57.11.3103	10 KOhm	1%, 0.25W, MF
C....48		59.06.0222	2.2 nF	10%, 25V, PETP	R....48		57.11.3474	470 KOhm	1%, 0.25W, MF
C....49		59.34.4101	100 pF	10%, 25V, C	R....49		57.11.3150	15 Ohm	1%, 0.25W, MF
C....50		59.22.3101	100 uF	-20%, 10V, EL	R....49		57.11.3222	2.2 KOhm	1%, 0.25W, MF
C....51		59.22.3101	100 uF	-20%, 10V, EL	R....50		57.11.3222	2.2 KOhm	1%, 0.25W, MF
C....52		59.06.5224	220 nF	10%, 25V, PETP	R....51		57.11.3150	15 Ohm	1%, 0.25W, MF
C....53		59.22.3101	100 uF	-20%, 10V, EL	R....52		57.11.3472	4.7 KOhm	1%, 0.25W, MF
C....54		59.22.3101	100 uF	-20%, 10V, EL	R....53		57.11.3472	4.7 KOhm	1%, 0.25W, MF
D....1		50.04.0125	1N 4448	any	R....54		57.11.3104	100 KOhm	1%, 0.25W, MF
D....2		50.04.0125	1N 4448	any	R....55		57.11.3104	100 KOhm	1%, 0.25W, MF
D....5		50.04.0125	1N 4448	any	R....56		57.11.3104	100 KOhm	1%, 0.25W, MF
D....6		50.04.0523	BAT 81	Schottky-Diode	R....57		57.11.3103	10 KOhm	1%, 0.25W, MF
IC....1		50.09.0117	MC33078P		R....58		57.11.3103	10 KOhm	1%, 0.25W, MF
IC....2		50.09.0117	MC33078P		R....59		57.11.3123	12 KOhm	1%, 0.25W, MF
IC....3		50.09.0107	RC4559		R....60		57.11.3272	2.7 KOhm	1%, 0.25W, MF
IC....4		50.09.0107	RC4559		R....61		57.11.3512	5.1 KOhm	1%, 0.25W, MF
IC....5		50.09.0107	RC4559		R....62		57.11.3123	12 KOhm	1%, 0.25W, MF
IC....6		50.09.0107	RC4559		R....63		57.11.3103	10 KOhm	1%, 0.25W, MF
IC....7		50.09.0107	RC4559		R....64		57.11.3474	470 KOhm	1%, 0.25W, MF
IC....8		50.09.0107	RC4559		R....65		57.11.3103	10 KOhm	1%, 0.25W, MF
IC....9		50.09.0121	TL072B		R....66		57.11.3510	51 Ohm	1%, 0.25W, MF
IC....10		50.11.0140	dbx2150A	VCA	R....67		57.11.3392	3.9 KOhm	1%, 0.25W, MF
IC...11		50.11.0140	dbx2150A	VCA	R....68		57.11.3474	470 KOhm	1%, 0.25W, MF
J....1		54.01.0235	9-Pole	CIS	R....69		57.11.3104	100 KOhm	1%, 0.25W, MF
MP....1		1.775.420.11		INPUT PCB	R....70		57.11.3103	10 KOhm	1%, 0.25W, MF
MP....2		54.01.0232	9-Pole	CIS	R....71		57.11.3510	51 Ohm	1%, 0.25W, MF
MP....3		54.01.0282	14-Pole	CIS	R....72		57.11.3104	100 KOhm	1%, 0.25W, MF
MP....4		21.38.1352		Screw	R....73		57.11.3392	3.9 KOhm	1%, 0.25W, MF
MP....5		21.38.1352		Screw	R....74		57.11.5106	10 MOhm	5%, 0.25W, MF
MP....6		21.38.1352		Screw	R....75		57.11.5106	10 MOhm	5%, 0.25W, MF
MP....7		1.775.370.20		U-Profile	R....76		57.11.5106	10 MOhm	5%, 0.25W, MF
MP....8		54.33.6010	2.8mm	AMP	R....77		57.11.5106	10 MOhm	5%, 0.25W, MF
MP....9		54.33.6010	2.8mm	AMP	R....78		57.11.3103	10 KOhm	1%, 0.25W, MF
MP....10		1.775.420.02		Nr. Label	R....79		57.11.3223	22 KOhm	1%, 0.25W, MF
MP...11		43.01.0108		ESE Label	R....80		57.11.3223	22 KOhm	1%, 0.25W, MF
Q....1		50.03.0350	J 112	FET	R....81		57.11.3103	10 KOhm	1%, 0.25W, MF
Q....2		50.03.0350	J 112	FET	R....82		57.11.3102	1 KOhm	1%, 0.25W, MF
Q....3		50.03.0350	J 112	FET	R....83		57.11.3272	2.7 KOhm	1%, 0.25W, MF
Q....4		50.03.0436	BC 237	PNP	R....84		57.11.3272	2.7 KOhm	1%, 0.25W, MF
Q....5		50.03.0350	J 112	FET	R....85		57.11.3682	6.8 KOhm	1%, 0.25W, MF
Q....6		50.03.0350	J 112	FET	R....86		57.11.3104	100 KOhm	1%, 0.25W, MF
Q....7		50.03.0350	J 112	FET	R....87		57.11.3104	100 KOhm	1%, 0.25W, MF
Q....8		50.03.0350	J 112	FET	R....88		57.11.3102	1 KOhm	1%, 0.25W, MF
Q....9		50.03.0350	J 112	FET	R....89		57.11.3162	1.6 KOhm	1%, 0.25W, MF
Q....10		50.03.0350	J 112	FET	R....90		57.11.3223	22 KOhm	1%, 0.25W, MF
Q....11		50.03.0350	J 112	FET	R....91		57.11.3513	51 KOhm	1%, 0.25W, MF
R....1		57.11.3104	100 KOhm	1%, 0.25W, MF	R....92		57.11.5106	10 MOhm	5%, 0.25W, MF
R....2		57.11.3684	680 KOhm	1%, 0.25W, MF	R....93		57.11.3104	100 KOhm	1%, 0.25W, MF
R....3		57.11.3104	100 KOhm	1%, 0.25W, MF	R....94		57.11.3271	270 Ohm	1%, 0.25W, MF
R....4		57.11.3104	100 KOhm	1%, 0.25W, MF	R....96		57.11.3223	22 KOhm	1%, 0.25W, MF
R....5		57.11.3104	100 KOhm	1%, 0.25W, MF	R....97		57.11.3104	100 KOhm	1%, 0.25W, MF
R....6		57.11.5106	10 MOhm	5%, 0.25W, MF	R....98		57.11.3104	100 KOhm	1%, 0.25W, MF
R....7		57.11.3222	2.2 KOhm	1%, 0.25W, MF	R....99		57.11.5106	10 MOhm	5%, 0.25W, MF
R....8		57.11.3561	560 Ohm	1%, 0.25W, MF	R...100		57.11.5106	10 MOhm	5%, 0.25W, MF
R....9		57.11.3362	3.6 KOhm	1%, 0.25W, MF	RA....3		58.01.9503	50 KOhm	10%, 0.50W, C
R....10		57.11.3472	4.7 KOhm	1%, 0.25W, MF	RA....4		58.01.9503	50 KOhm	10%, 0.50W, C
R....11		57.11.3362	3.6 KOhm	1%, 0.25W, MF	RA....5		1.775.330.02	3*47 KOhm	pos.log
R....12		57.11.3684	680 KOhm	1%, 0.25W, MF	RA....6		1.775.800.03	2*4.7KOhm	lin.
R....13		57.11.5106	10 MOhm	5%, 0.25W, MF	RA....7		1.775.800.04	2* 22KOhm	lin.
R....14		57.11.5106	10 MOhm	5%, 0.25W, MF	RA....8		1.369.150.03	1* 10KOhm	pos.log + Switch 1*2u
R....15		57.11.3473	47 KOhm	1%, 0.25W, MF	RA....9		1.775.330.06	1*4.7KOhm	lin.
R....16		57.11.3473	47 KOhm	1%, 0.25W, MF	RA...10		1.775.330.07	1* 10KOhm	lin. Fader
R....17		57.11.3102	1 KOhm	1%, 0.25W, MF	RA....11		58.01.9202	2 KOhm	10%, 0.50W, C
R....18		57.11.3102	1 KOhm	1%, 0.25W, MF	RA....12		58.01.9202	2 KOhm	10%, 0.50W, C
R....19		57.11.3561	560 Ohm	1%, 0.25W, MF	RA....13		58.01.9502	5 KOhm	10%, 0.50W, C
R....20		57.11.3302	3 KOhm	1%, 0.25W, MF	RA....14		58.01.9501	500 Ohm	10%, 0.50W, C
R....21		57.11.3332	3.3 KOhm	1%, 0.25W, MF	S....1		1.775.330.01		1Step/4Pos.
R....22		57.11.3684	680 KOhm	1%, 0.25W, MF	S....2		55.15.0109		1*2u
R....23		57.11.3302	3 KOhm	1%, 0.25W, MF	W....1		1.775.330.93		Wire List
R....24		57.11.3684	680 KOhm	1%, 0.25W, MF	X....1		53.03.0218	4-pole	Socket
R....25		57.11.3561	560 Ohm	1%, 0.25W, MF	X....2		53.03.0218	4-pole	Socket
R....26		57.11.3332	3.3 KOhm	1%, 0.25W, MF	X....3		53.03.0218	1-pole	Socket
R....27		57.11.3561	560 Ohm	1%, 0.25W, MF	EL=Electrolytic,C=Ceramic, PETP=Polyester				
R....28		57.11.3684	680 KOhm	1%, 0.25W, MF	MF=Metal Film				
R....29		57.11.3684	680 KOhm	1%, 0.25W, MF	MANUFACTURER: dbx=dbx Incorporated, NS=National Semiconductor, Mot=Motorola				
R....30		57.11.3684	680 KOhm	1%, 0.25W, MF	RA=Raytheon, SIG=Signetics, TI=Texas Instruments				
R....31		57.11.3102	1 KOhm	1%, 0.25W, MF	1.775.420.81 INPUT UNIT KG 92/01/2200				
R....32		57.11.3102	1 KOhm	1%, 0.25W, MF					
R....33		57.11.3472	4.7 KOhm	1%, 0.25W, MF					
R....34		57.11.3472	4.7 KOhm	1%, 0.25W, MF					
R....35		57.11.3472	4.7 KOhm	1%, 0.25W, MF					
R....36		57.11.3222	2.2 KOhm	1%, 0.25W, MF					
R....37		57.11.3392	3.9 KOhm	1%, 0.25W, MF					
R....38		57.11.3222	2.2 KOhm	1%, 0.25W, MF					
R....39		57.11.3104	100 KOhm	1%, 0.25W, MF					
R....40		57.11.3104	100 KOhm	1%, 0.25W, MF					

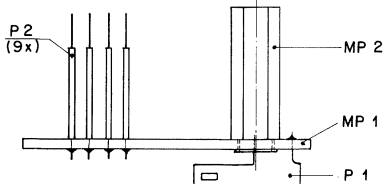
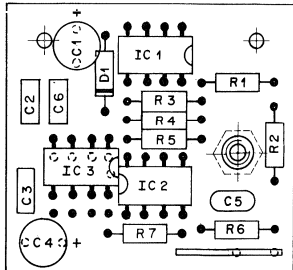
INTERFACE UNIT 1.775.485.00



① 16x29x1 Gr. Viceshammer	○ ..	○ ..	○ ..	○ ..
STUDER				INTERFACE UNIT A779/MR 8-2
			1.775.485.00	PAGE 1 OF 1



INTERFACE UNIT 1.775.485.00



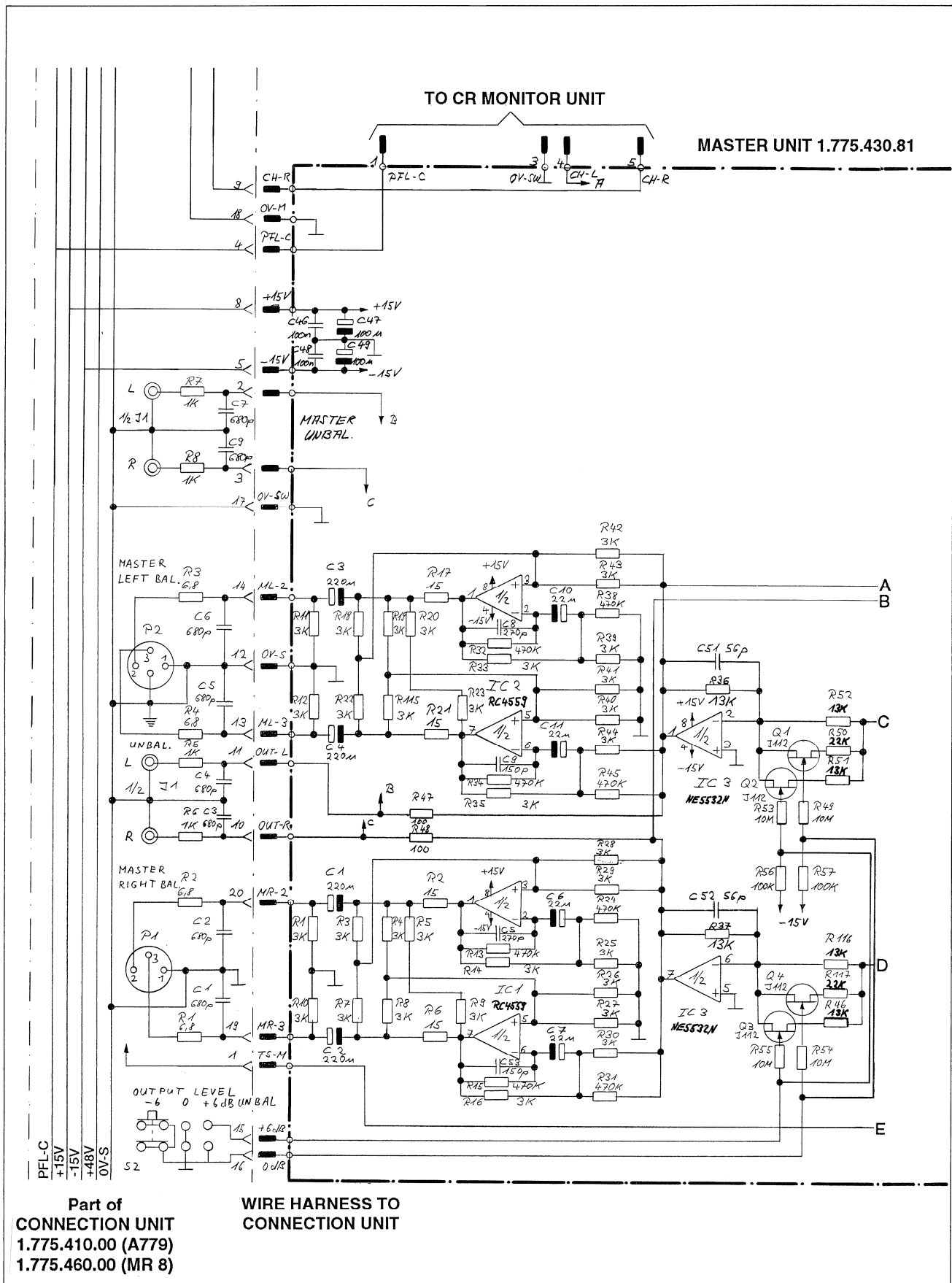
Ausgabe:	Änderung				③
					②
					①
Datum	3.12.91	Gez	Gespr	Ges	Index

STUDER REGENSDORF ZÜRICH		Benennung:	Interface- Unit ESE	Nummer:	1.775.485-00
--------------------------------	--	------------	---------------------	---------	--------------

Ad	..POS..	...REF.No...	DESCRIPTION	MANUFACTURER
C.....1	59.22.5220	22 uF	-20%, 25V, EL	
C.....2	59.06.0104	100 nF	10%, 10V, PETP	
C.....3	59.06.0104	100 nF	10%, 10V, PETP	
C.....4	59.22.5220	22 uF	-20%, 25V, EL	
C.....5	59.06.0224	220 nF	10%, 25V, PETP	
C.....6	59.06.0104	100 nF	10%, 10V, PETP	
D.....1	50.04.0125	1N4448	any	
IC....1	50.09.0121	TL072B		
IC....2	50.09.0121	TL072B		
IC....3	50.09.0121	TL072B		
MP....1	1.775.485.11		Interface Unit PCB	
MP....2	1.010.050.22		Nut M3*18	
MP....3	43.01.0108		ESE-Label	
MP....4	1.775.485.01		Board-Label	
P.....1	54.02.0328		AMP	
P.....2	1.010.019.54	9Pin		
R.....1	57.11.3123	12 KOhm	1%, 0.25W, MF	
R.....2	57.11.3104	100 KOhm	1%, 0.25W, MF	
R.....3	57.11.3123	12 KOhm	1%, 0.25W, MF	
R.....4	57.11.3123	12 KOhm	1%, 0.25W, MF	
R.....5	57.11.3123	12 KOhm	1%, 0.25W, MF	
R.....6	57.11.3104	100 KOhm	1%, 0.25W, MF	
R.....7	57.11.3103	10 KOhm	1%, 0.25W, MF	

1.775.485.00 INTERFACE-UNIT KG92/01/2200

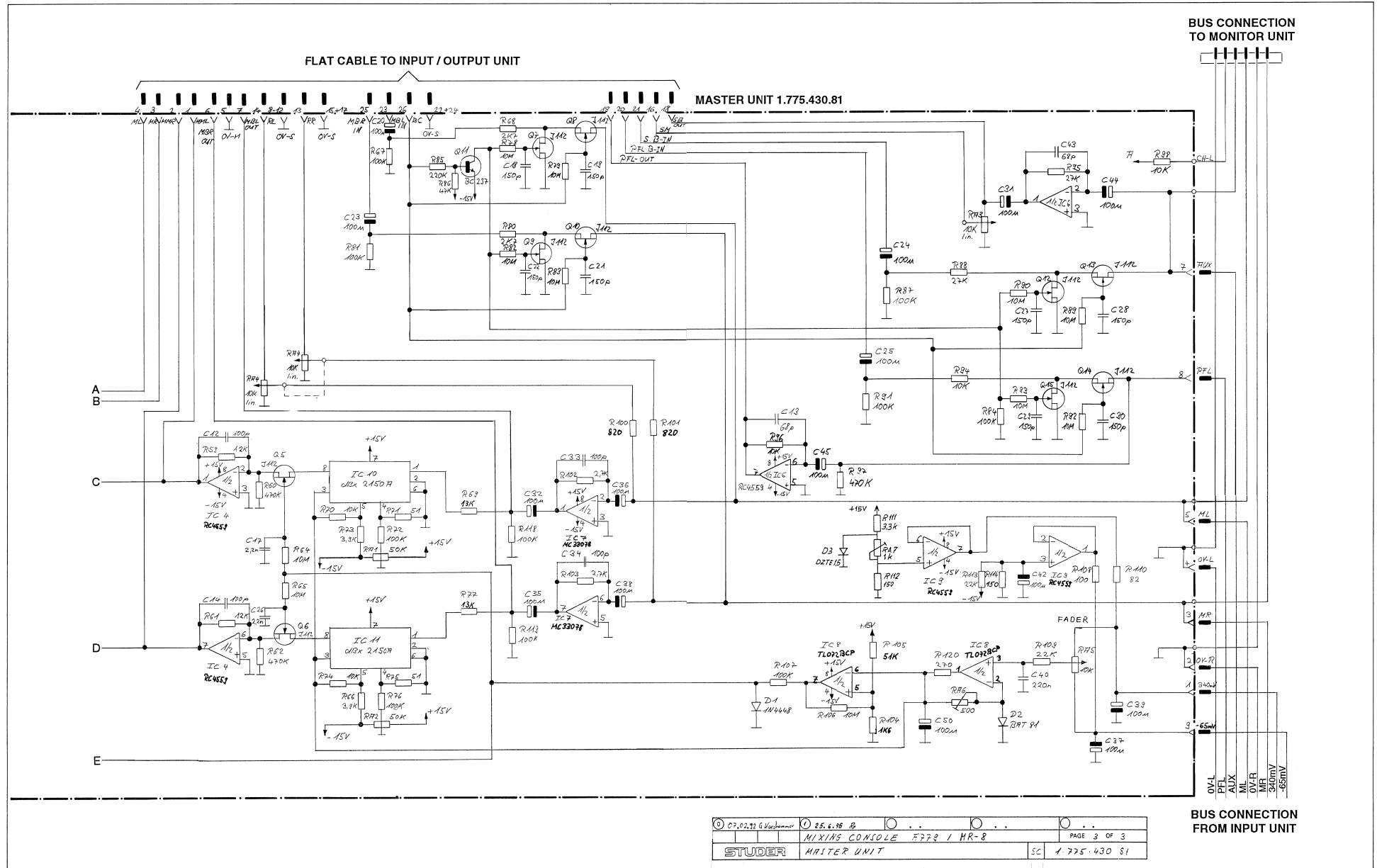
MASTER UNIT 1.775.430.81



Part of  
CONNECTION UNIT  
1.775.410.00 (A779)  
1.775.460.00 (MR 8)

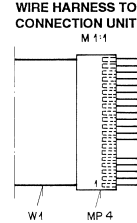
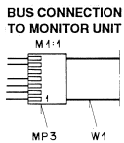
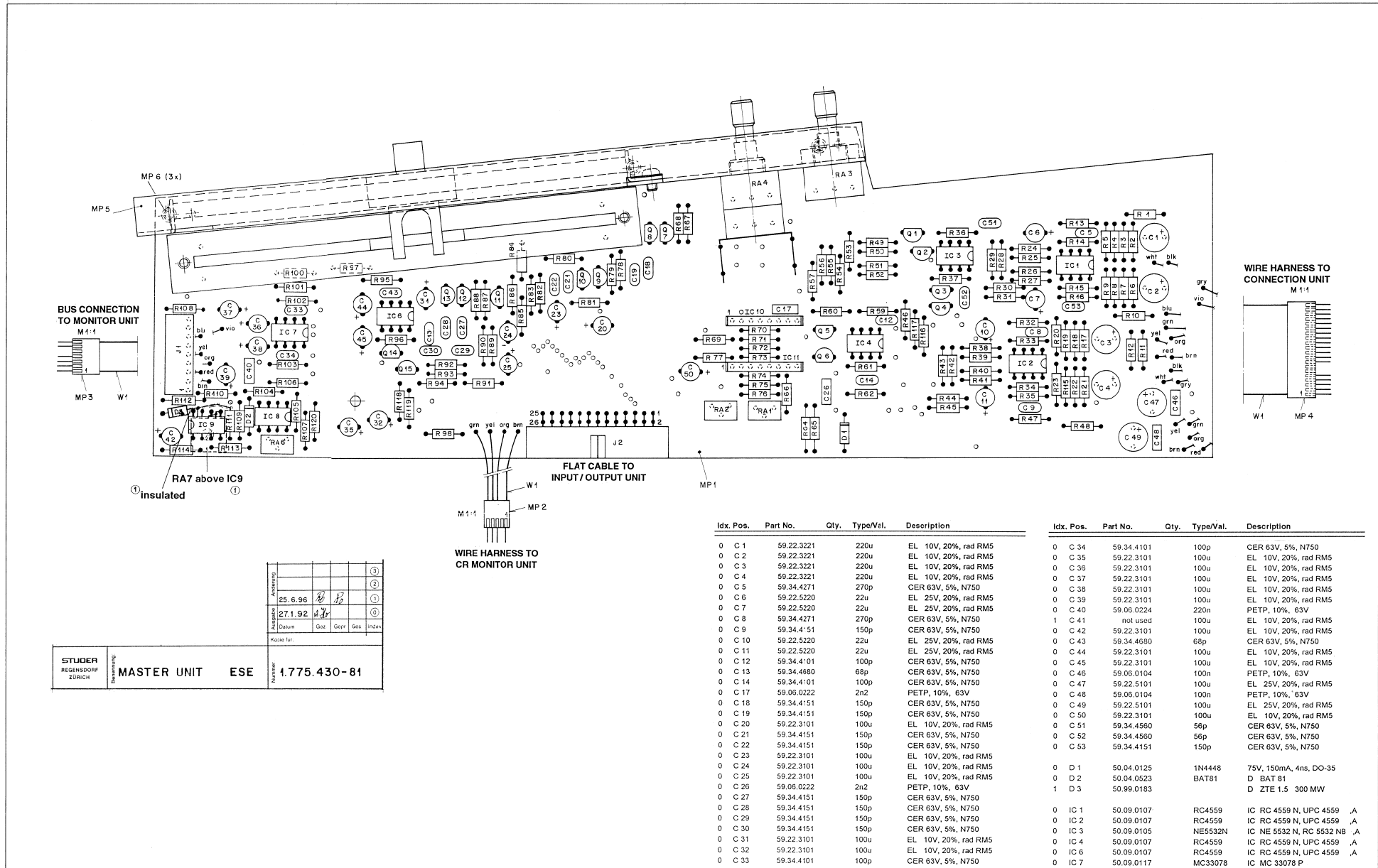
WIRE HARNESS TO  
CONNECTION UNIT

MASTER UNIT 1.775.430.81



07.02.92 G. V. Schenker	25.6.78 B				
STUDER			MIXING CONSOLE F779 / MR-8		PAGE 3 OF 3
MASTER UNIT			SC	1.775.430.81	

MASTER UNIT 1.775.430.81



25.6.96							
27.1.92							
Datum	Gec	Gest	Ges	IndA			
Kopie fur:							

STUDER REGENSDORF ZÜRICH	Bestimmung <b>MASTER UNIT</b>	ESE	Nummer <b>1.775.430-81</b>
--------------------------------	----------------------------------	-----	-------------------------------

Idx. Pos.	Part No.	Qty.	Type/Val.	Description	Idx. Pos.	Part No.	Qty.	Type/Val.	Description
0	C 1	59.22.3221	220u	EL 10V, 20%, rad RMS	0	C 34	59.34.4101	100p	CER 63V, 5%, N750
0	C 2	59.22.3221	220u	EL 10V, 20%, rad RMS	0	C 35	59.22.3101	100u	EL 10V, 20%, rad RMS
0	C 3	59.22.3221	220u	EL 10V, 20%, rad RMS	0	C 36	59.22.3101	100u	EL 10V, 20%, rad RMS
0	C 4	59.22.3221	220u	EL 10V, 20%, rad RMS	0	C 37	59.22.3101	100u	EL 10V, 20%, rad RMS
0	C 5	59.34.4271	270p	CER 63V, 5%, N750	0	C 38	59.22.3101	100u	EL 10V, 20%, rad RMS
0	C 6	59.22.5220	22u	EL 25V, 20%, rad RMS	0	C 39	59.22.3101	100u	EL 10V, 20%, rad RMS
0	C 7	59.22.5220	22u	EL 25V, 20%, rad RMS	0	C 40	59.06.0224	220n	PETP, 10%, 63V
0	C 8	59.34.4271	270p	CER 63V, 5%, N750	1	C 41	not used	100u	EL 10V, 20%, rad RMS
0	C 9	59.34.4151	150p	CER 63V, 5%, N750	0	C 42	59.22.3101	100u	EL 10V, 20%, rad RMS
0	C 10	59.22.5220	22u	EL 25V, 20%, rad RMS	0	C 43	59.34.4680	68p	CER 63V, 5%, N750
0	C 11	59.22.5220	22u	EL 25V, 20%, rad RMS	0	C 44	59.22.3101	100u	EL 10V, 20%, rad RMS
0	C 12	59.34.4101	100p	CER 63V, 5%, N750	0	C 45	59.22.3101	100u	EL 10V, 20%, rad RMS
0	C 13	59.34.4680	68p	CER 63V, 5%, N750	0	C 46	59.06.0104	100n	PETP, 10%, 63V
0	C 14	59.34.4101	100p	CER 63V, 5%, N750	0	C 47	59.22.5101	100u	EL 25V, 20%, rad RMS
0	C 17	59.06.0222	2n2	PETP, 10%, 63V	0	C 48	59.06.0104	100n	PETP, 10%, 63V
0	C 18	59.34.4151	150p	CER 63V, 5%, N750	0	C 49	59.22.5101	100u	EL 25V, 20%, rad RMS
0	C 19	59.34.4151	150p	CER 63V, 5%, N750	0	C 50	59.22.3101	100u	EL 10V, 20%, rad RMS
0	C 20	59.22.3101	100u	EL 10V, 20%, rad RMS	0	C 51	59.34.4560	56p	CER 63V, 5%, N750
0	C 21	59.34.4151	150p	CER 63V, 5%, N750	0	C 52	59.34.4560	56p	CER 63V, 5%, N750
0	C 22	59.34.4151	150p	CER 63V, 5%, N750	0	C 53	59.34.4151	150p	CER 63V, 5%, N750
0	C 23	59.22.3101	100u	EL 10V, 20%, rad RMS	0	D 1	50.04.0125	1N4448	75V, 150mA, 4ns, DO-35
0	C 24	59.22.3101	100u	EL 10V, 20%, rad RMS	0	D 2	50.04.0523	BAT81	D BAT 81
0	C 25	59.22.3101	100u	EL 10V, 20%, rad RMS	1	D 3	50.99.0183		D ZTE 1.5 300 MW
0	C 26	59.06.0222	2n2	PETP, 10%, 63V	0	IC 1	50.09.0107	RC4559	IC RC 4559 N, UPC 4559 ,A
0	C 27	59.34.4151	150p	CER 63V, 5%, N750	0	IC 2	50.09.0107	RC4559	IC RC 4559 N, UPC 4559 ,A
0	C 28	59.34.4151	150p	CER 63V, 5%, N750	0	IC 3	50.09.0105	NE5532N	IC NE 5532 N, RC 5532 NB ,A
0	C 29	59.34.4151	150p	CER 63V, 5%, N750	0	IC 4	50.09.0107	RC4559	IC RC 4559 N, UPC 4559 ,A
0	C 30	59.34.4151	150p	CER 63V, 5%, N750	0	IC 6	50.09.0107	RC4559	IC RC 4559 N, UPC 4559 ,A
0	C 31	59.22.3101	100u	EL 10V, 20%, rad RMS	0	IC 7	50.09.0117	MC33078	IC MC 33078 P
0	C 32	59.22.3101	100u	EL 10V, 20%, rad RMS					
0	C 33	59.34.4101	100p	CER 63V, 5%, N750					

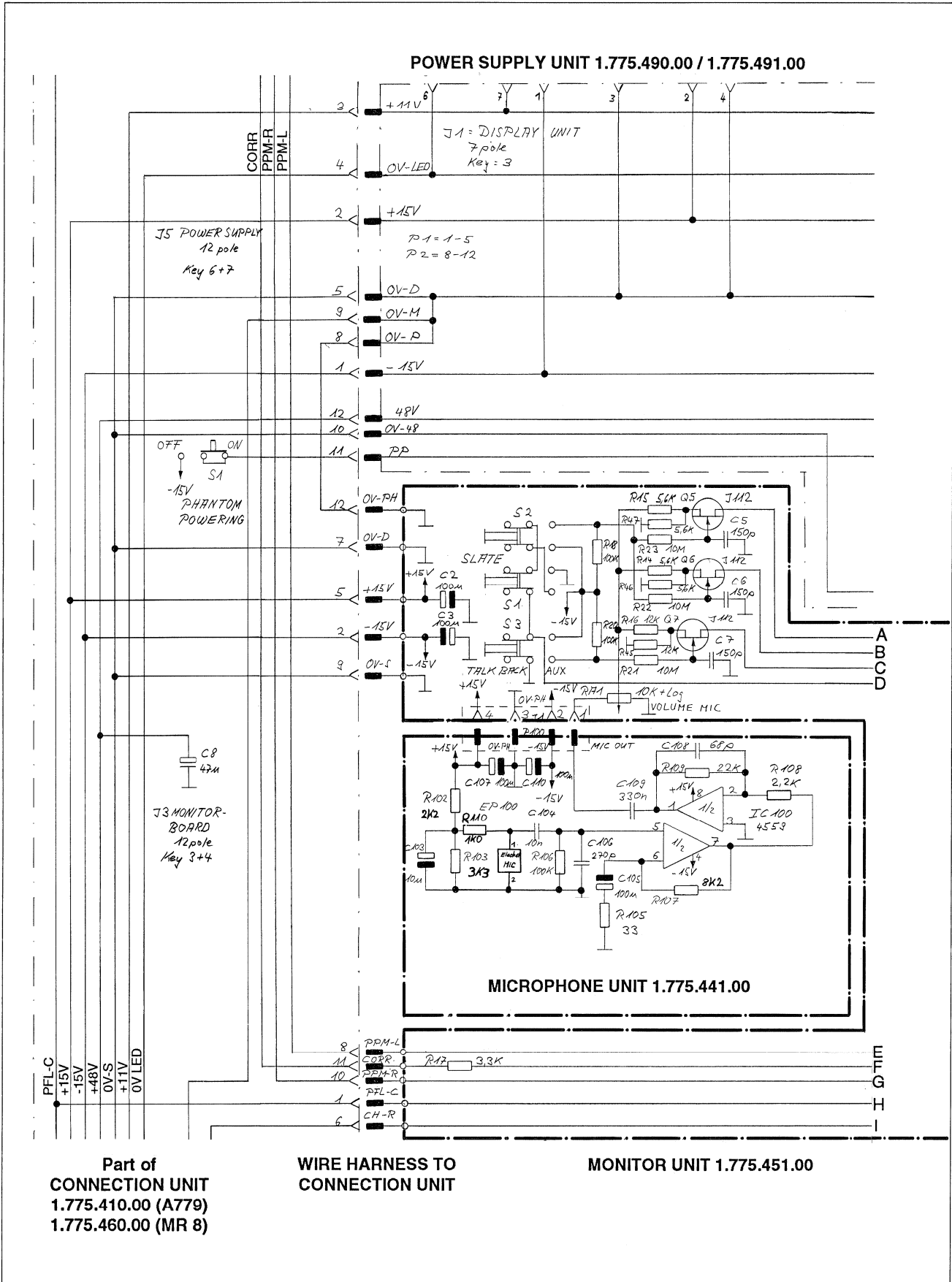


MASTER UNIT 1.775.430.81

Iidx. Pos.	Part No.	Qty.	Type/Val.	Description	Iidx. Pos.	Part No.	Qty.	Type/Val.	Description
0	IC 8	50.09.0121		TL072B IC TL 072 BCP ,A	0	R 51	57.11.3133	13k	MF, 1%, 0207
0	IC 9	50.09.0107		RC4559 IC RC 4559 N, UPC 4559 ,A	0	R 52	57.11.3133	13k	MF, 1%, 0207
0	IC 10	50.11.0140		THAT2181C IC VCA THAT 2181C	0	R 53	57.11.5106	10M	MF, 5%, 0207
0	IC 11	50.11.0140		THAT2181C IC VCA THAT 2181C	0	R 54	57.11.5106	10M	MF, 5%, 0207
0	J 1	54.01.0235		9-P J LEISTE 9 POL CIS DURCHS	0	R 55	57.11.5106	10M	MF, 5%, 0207
0	J 2	54.14.2074		26p 1/20" Au, winkel, ohne Verrieg	0	R 56	57.11.3104	100k	MF, 1%, 0207
0	MP 1	1.775.430.11	mp	MASTER PCB	0	R 57	57.11.3104	100k	MF, 1%, 0207
0	MP 2	54.01.0264	mp	P GEHAUSE 5 POL CIS	0	R 59	57.11.3123	12k	MF, 1%, 0207
0	MP 3	54.01.0233	mp	P GEHAUSE 7 POL CIS	0	R 60	57.11.3474	470k	MF, 1%, 0207
0	MP 4	54.01.0286	mp	P GEHAUSE 20 POL CIS	0	R 61	57.11.3123	12k	MF, 1%, 0207
0	MP 5	1.775.370.41	mp	U-PROFIL MASTER	0	R 62	57.11.3474	470k	MF, 1%, 0207
0	MP 6	21.38.1352	3 mp	LZ SCHR. KS, A2, M 3 * 4	0	R 64	57.11.5106	10M	MF, 5%, 0207
0	MP 7	43.01.0108	mp	Label ESE-WARNschild	0	R 65	57.11.5106	10M	MF, 5%, 0207
0	MP 8	unknown	mp	unbekanntes Bauteil	0	R 66	57.11.3392	3k9	MF, 1%, 0207
0	Q 1	50.03.0350		J-112 J-112	0	R 67	57.11.3104	100k	MF, 1%, 0207
0	Q 2	50.03.0350		J-112 J-112	0	R 68	57.11.3272	2k7	MF, 1%, 0207
0	Q 3	50.03.0350		J-112 J-112	0	R 69	57.11.3133	13k	MF, 1%, 0207
0	Q 4	50.03.0350		J-112 J-112	0	R 70	57.11.3103	10k	MF, 1%, 0207
0	Q 5	50.03.0350		J-112 J-112	0	R 71	57.11.3510	51R	MF, 1%, 0207
0	Q 6	50.03.0350		J-112 J-112	0	R 72	57.11.3104	100k	MF, 1%, 0207
0	Q 7	50.03.0350		J-112 J-112	0	R 73	57.11.3392	3k9	MF, 1%, 0207
0	Q 8	50.03.0350		J-112 J-112	0	R 74	57.11.3103	10k	MF, 1%, 0207
0	Q 9	50.03.0350		J-112 J-112	0	R 75	57.11.3510	51R	MF, 1%, 0207
0	Q 10	50.03.0350		J-112 J-112	0	R 76	57.11.3104	100k	MF, 1%, 0207
0	Q 11	50.03.0436		BC237B BC 237 B, 547 B, 550 B,	0	R 77	57.11.3133	13k	MF, 1%, 0207
0	Q 12	50.03.0350		J-112 J-112	0	R 78	57.11.5106	10M	MF, 5%, 0207
0	Q 13	50.03.0350		J-112 J-112	0	R 79	57.11.5106	10M	MF, 5%, 0207
0	Q 14	50.03.0350		J-112 J-112	0	R 80	57.11.3272	2k7	MF, 1%, 0207
0	Q 15	50.03.0350		J-112 J-112	0	R 81	57.11.3104	100k	MF, 1%, 0207
0	R 1	57.11.3302	3k0	MF, 1%, 0207	0	R 82	57.11.5106	10M	MF, 5%, 0207
0	R 2	57.11.3150	15R	MF, 1%, 0207	0	R 83	57.11.5106	10M	MF, 5%, 0207
0	R 3	57.11.3302	3k0	MF, 1%, 0207	0	R 84	57.11.3104	100k	MF, 1%, 0207
0	R 4	57.11.3302	3k0	MF, 1%, 0207	0	R 85	57.11.3224	220k	MF, 1%, 0207
0	R 5	57.11.3302	3k0	MF, 1%, 0207	0	R 86	57.11.3473	47k	MF, 1%, 0207
0	R 6	57.11.3150	15R	MF, 1%, 0207	0	R 87	57.11.3104	100k	MF, 1%, 0207
0	R 7	57.11.3302	3k0	MF, 1%, 0207	0	R 88	57.11.3273	27k	MF, 1%, 0207
0	R 8	57.11.3302	3k0	MF, 1%, 0207	0	R 89	57.11.5106	10M	MF, 5%, 0207
0	R 9	57.11.3302	3k0	MF, 1%, 0207	0	R 90	57.11.5106	10M	MF, 5%, 0207
0	R 10	57.11.3302	3k0	MF, 1%, 0207	0	R 91	57.11.3104	100k	MF, 1%, 0207
0	R 11	57.11.3302	3k0	MF, 1%, 0207	0	R 92	57.11.5106	10M	MF, 5%, 0207
0	R 12	57.11.3302	3k0	MF, 1%, 0207	0	R 93	57.11.5106	10M	MF, 5%, 0207
0	R 13	57.11.3474	470k	MF, 1%, 0207	0	R 94	57.11.3103	10k	MF, 1%, 0207
0	R 14	57.11.3302	3k0	MF, 1%, 0207	0	R 95	57.11.3273	27k	MF, 1%, 0207
0	R 15	57.11.3474	470k	MF, 1%, 0207	0	R 96	57.11.3103	10k	MF, 1%, 0207
0	R 16	57.11.3302	3k0	MF, 1%, 0207	0	R 97	57.11.3474	470k	MF, 1%, 0207
0	R 17	57.11.3150	15R	MF, 1%, 0207	0	R 98	57.11.3103	10k	MF, 1%, 0207
0	R 18	57.11.3302	3k0	MF, 1%, 0207	0	R 100	57.11.3821	820R	MF, 1%, 0207
0	R 19	57.11.3302	3k0	MF, 1%, 0207	0	R 101	57.11.3821	820R	MF, 1%, 0207
0	R 20	57.11.3302	3k0	MF, 1%, 0207	0	R 102	57.11.3272	2k7	MF, 1%, 0207
0	R 21	57.11.3150	15R	MF, 1%, 0207	0	R 103	57.11.3272	2k7	MF, 1%, 0207
0	R 22	57.11.3302	3k0	MF, 1%, 0207	0	R 104	57.11.3162	1k6	MF, 1%, 0207
0	R 23	57.11.3302	3k0	MF, 1%, 0207	0	R 105	57.11.3513	51k	MF, 1%, 0207
0	R 24	57.11.3474	470k	MF, 1%, 0207	0	R 106	57.11.5106	10M	MF, 5%, 0207
0	R 25	57.11.3302	3k0	MF, 1%, 0207	0	R 107	57.11.3104	100k	MF, 1%, 0207
0	R 26	57.11.3302	3k0	MF, 1%, 0207	0	R 108	57.11.3101	100R	MF, 1%, 0207
0	R 27	57.11.3302	3k0	MF, 1%, 0207	0	R 109	57.11.3223	22k	MF, 1%, 0207
0	R 28	57.11.3302	3k0	MF, 1%, 0207	0	R 110	57.11.3820	82R	MF, 1%, 0207
0	R 29	57.11.3302	3k0	MF, 1%, 0207	1	R 111	57.11.3332	3k3	MF, 1%, 0207
0	R 30	57.11.3302	3k0	MF, 1%, 0207	1	R 112	57.11.3151	150R	MF, 1%, 0207
0	R 31	57.11.3474	470k	MF, 1%, 0207	0	R 113	57.11.3223	22k	MF, 1%, 0207
0	R 32	57.11.3474	470k	MF, 1%, 0207	0	R 114	57.11.3151	150R	MF, 1%, 0207
0	R 33	57.11.3302	3k0	MF, 1%, 0207	0	R 115	57.11.3302	3k0	MF, 1%, 0207
0	R 34	57.11.3474	470k	MF, 1%, 0207	0	R 116	57.11.3133	13k	MF, 1%, 0207
0	R 35	57.11.3302	3k0	MF, 1%, 0207	0	R 117	57.11.3223	22k	MF, 1%, 0207
0	R 36	57.11.3133	13k	MF, 1%, 0207	0	R 118	57.11.3104	100k	MF, 1%, 0207
0	R 37	57.11.3133	13k	MF, 1%, 0207	0	R 119	57.11.3104	100k	MF, 1%, 0207
0	R 38	57.11.3474	470k	MF, 1%, 0207	0	R 120	57.11.3271	270R	MF, 1%, 0207
0	R 39	57.11.3302	3k0	MF, 1%, 0207	0	RA 1	58.01.9503	50k	Cermet, 10%, 0.5W, vertical
0	R 40	57.11.3302	3k0	MF, 1%, 0207	0	RA 2	58.01.9503	50k	Cermet, 10%, 0.5W, vertical
0	R 41	57.11.3302	3k0	MF, 1%, 0207	0	RA 3	1.775.430.02		POTENTIOMETER 10K LIN.
0	R 42	57.11.3302	3k0	MF, 1%, 0207	0	RA 4	1.775.430.03		POTENTIOMETER 2*10K LIN.
0	R 43	57.11.3302	3k0	MF, 1%, 0207	0	RA 5	1.775.330.07		VARIABLE RESISTOR
0	R 44	57.11.3302	3k0	MF, 1%, 0207	0	RA 6	58.01.9501	500R	Cermet, 10%, 0.5W, vertical
0	R 45	57.11.3474	470k	MF, 1%, 0207	1	RA 7	58.01.9102	1k	Cermet, 10%, 0.5W, vertical
0	R 46	57.11.3133	13k	MF, 1%, 0207					
0	R 47	57.11.3101	100R	MF, 1%, 0207	0	W 1	1.775.430.93		LI-L MASTER UNIT
0	R 48	57.11.3101	100R	MF, 1%, 0207					
0	R 49	57.11.5106	10M	MF, 5%, 0207					
0	R 50	57.11.3223	22k	MF, 1%, 0207					

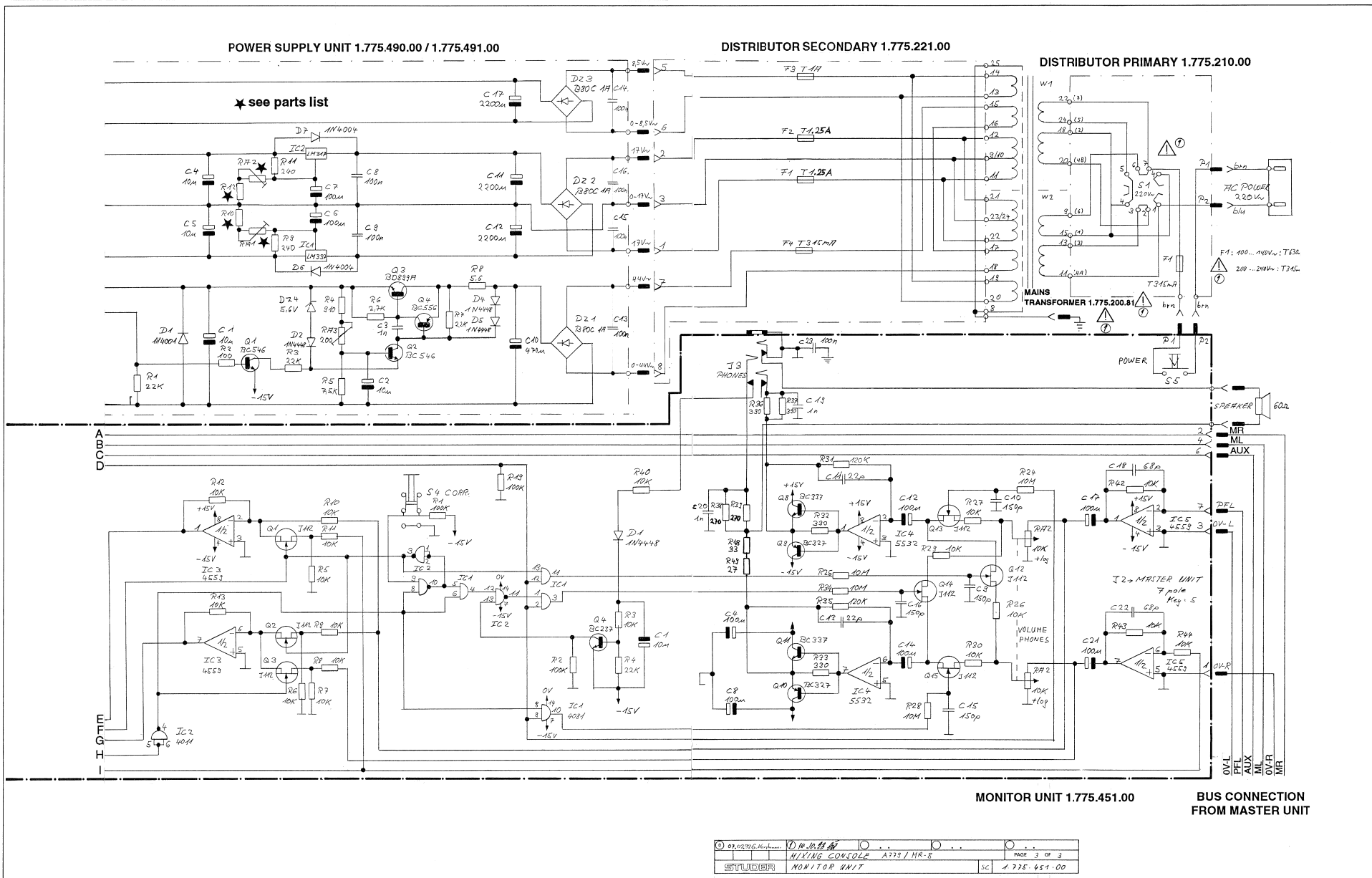
Comments  
 (01) R111 18kOhm changed to 3.3 kOhm, R112 470 Ohm to 150 Ohm,  
 RA7 new, C41 replaced by D3

MONITOR UNIT 1.775.451.00  
 - MICROPHONE UNIT 1.775.441.00



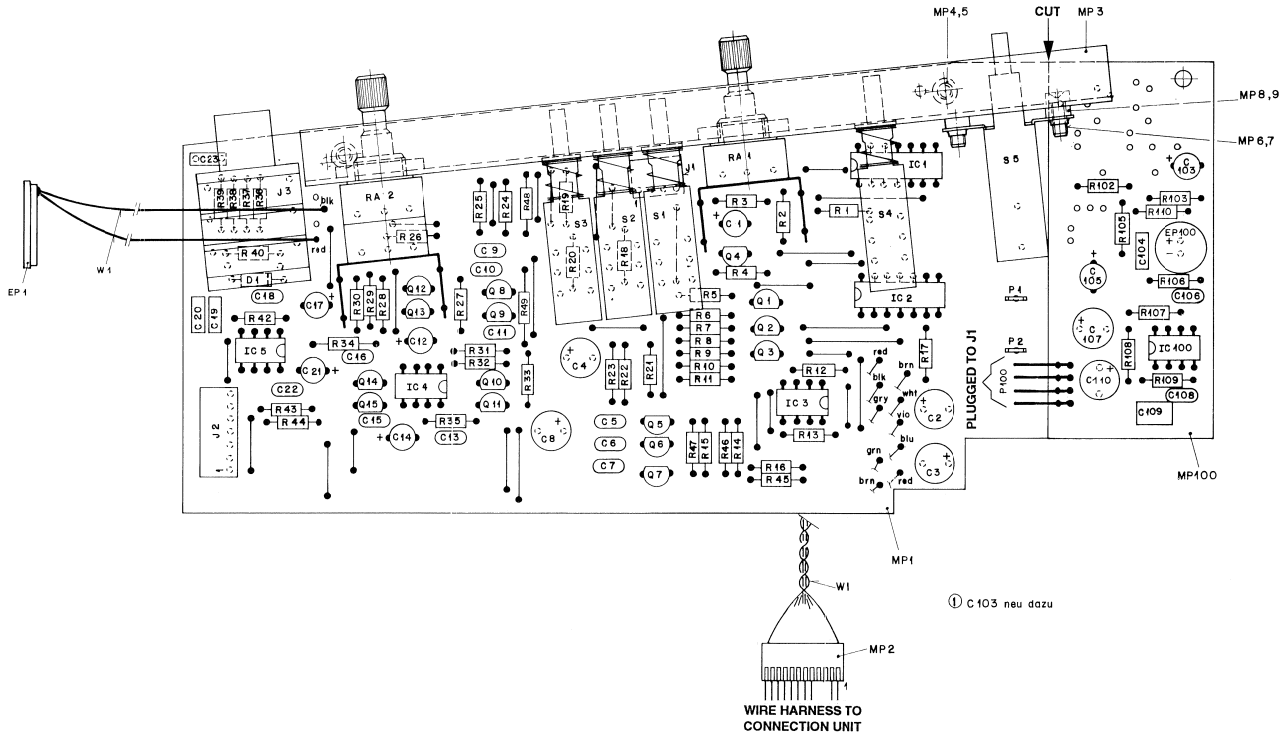


MONITOR UNIT 1.775.451.00  
- MICROPHONE UNIT 1.775.441.00



01.10.2016	01.10.2016	01.10.2016	01.10.2016	01.10.2016
STUDER	STUDER	STUDER	STUDER	STUDER
MONITOR UNIT	MONITOR UNIT	MONITOR UNIT	MONITOR UNIT	MONITOR UNIT
1.775.451.00	1.775.451.00	1.775.451.00	1.775.451.00	1.775.451.00

MONITOR UNIT 1.775.451.00



① C103 neu dazu

WIRE HARNESS TO CONNECTION UNIT

Nummer				
3C.4.92	2	1/2		
12.12.91				
Da: jm	Gez	Gepr	Gez	Index
Kopie für				

STUDER RESENDOFF ZÜRICH	MONITOR UNIT ESE	Number: 1.775.451-00
-------------------------------	------------------	----------------------

Ad	POS	REF. No.	DESCRIPTION	MANUFACTURER
C....1	59.22.6100	10 uF	-20%, 10V, EL	
C....2	59.22.6101	100 uF	-20%, 25V, EL	
C....3	59.22.6101	100 uF	-20%, 25V, EL	
C....4	59.22.6101	100 uF	-20%, 25V, EL	
C....5	59.34.4151	150 pF	10%, 25V, C	
C....6	59.34.4151	150 pF	10%, 25V, C	
C....7	59.34.4151	150 pF	10%, 25V, C	
C....8	59.22.6101	100 uF	-20%, 25V, EL	
C....9	59.34.4151	150 pF	10%, 25V, C	
C....10	59.34.4151	150 pF	10%, 25V, C	
C....11	59.34.2220	22 pF	10%, 25V, C	
C....12	59.22.3101	100 uF	-20%, 10V, EL	
C....13	59.34.2220	22 pF	10%, 25V, C	
C....14	59.22.3101	100 uF	-20%, 10V, EL	
C....15	59.34.4151	150 pF	10%, 25V, C	
C....16	59.34.4151	150 pF	10%, 25V, C	
C....17	59.22.3101	100 uF	-20%, 10V, EL	
C....18	59.34.4680	68 pF	10%, 25V, C	
C....19	59.06.0102	1 nF	10%, 25V, PETP	
C....20	59.06.0102	1 nF	10%, 25V, PETP	
C....21	59.22.3101	100 uF	-20%, 10V, EL	
C....22	59.34.4680	68 pF	10%, 25V, C	
C....23	59.06.0104	100 nF	10%, 25V, PETP	
C...103	59.22.6100	10 uF	-20%, 25V, EL	
C...104	59.06.0103	10 nF	10%, 25V, PETP	
C...105	59.22.3101	100 uF	-20%, 10V, EL	
C...106	59.34.4271	270 pF	10%, 25V, C	
C...107	59.22.6101	100 uF	-20%, 25V, EL	
C...108	59.34.4680	68 pF	10%, 25V, C	
C...109	59.06.0334	330 nF	10%, 25V, PETP	
C...110	59.22.6101	100 uF	-20%, 25V, EL	
D....1	50.04.0125	1N 4448	any	
EP...1	71.01.0158		Lautsprecher 600hm 0.3W	
EP...100	89.01.3450		Electret Microphone, EM 80	
IC...1	50.07.0081	4081	AND Gate	2a
IC...2	50.07.1011	4011	NAND Gate	2a
IC...3	50.09.0107	RC4559		2a
IC...4	50.09.0101	HE5524		2a
IC...5	50.09.0107	RC4559		2a
IC...100	50.09.0107	RC4559		2a
J...1	54.01.0298	4-Pole	CIS	
J...2	54.01.0263	7-Pole	CIS	
J...3	1.710.350.02	Stereo	Jack Socket	
MP...1	1.775.451.11		MONITOR PCB	
MP...2	54.01.0231	12-Pole	CIS	
MP...3	1.775.370.22		U-Profile	
MP...4	21.38.1352		Screw	
MP...5	21.38.1352		Screw	
MP...6	21.26.0355		Screw	
MP...7	21.26.0355		Screw	
MP...8	1.775.370.30		Washer	
MP...9	1.775.370.30		Washer	
MP...100	1.775.441.11		MICROPHONE PCB	
P....1	54.02.0320	2.8mm	AMP	
P....2	54.02.0320	2.8mm	AMP	
P...100	54.01.0424	4-Pole	CIS	
Q....1	50.03.0350	J 112	FET	Mot
Q....2	50.03.0350	J 112	FET	Mot
Q....3	50.03.0350	J 112	FET	Mot
Q....4	50.03.0436	BC 237	NPN	Mot
Q....5	50.03.0350	J 112	FET	Mot
Q....6	50.03.0350	J 112	FET	Mot
Q....7	50.03.0350	J 112	FET	Mot
Q....8	50.03.0340	BC 337	NPN	Mot
Q....9	50.03.0351	BC 327	PNP	Mot
Q....10	50.03.0351	BC 327	PNP	Mot
Q....11	50.03.0340	BC 337	NPN	Mot
Q....12	50.03.0350	J 112	FET	Mot
Q....13	50.03.0350	J 112	FET	Mot
Q....14	50.03.0350	J 112	FET	Mot
Q....15	50.03.0350	J 112	FET	Mot
R....1	57.11.3104	100 Kohm	1%, 0.25W, MF	
R....2	57.11.3104	100 Kohm	1%, 0.25W, MF	
R....3	57.11.3103	10 Kohm	1%, 0.25W, MF	
R....4	57.11.3223	22 Kohm	1%, 0.25W, MF	
R....5	57.11.3103	10 Kohm	1%, 0.25W, MF	
R....6	57.11.3103	10 Kohm	1%, 0.25W, MF	
R....7	57.11.3103	10 Kohm	1%, 0.25W, MF	
R....8	57.11.3103	10 Kohm	1%, 0.25W, MF	
R....9	57.11.3103	10 Kohm	1%, 0.25W, MF	
R....10	57.11.3103	10 Kohm	1%, 0.25W, MF	
R....11	57.11.3103	10 Kohm	1%, 0.25W, MF	
R....12	57.11.3103	10 Kohm	1%, 0.25W, MF	
R....13	57.11.3103	10 Kohm	1%, 0.25W, MF	
R....14	57.11.3562	5.6 Kohm	1%, 0.25W, MF	
R....15	57.11.3562	5.6 Kohm	1%, 0.25W, MF	
R....16	57.11.3123	12 Kohm	1%, 0.25W, MF	
R....17	57.11.3332	3.3 Kohm	1%, 0.25W, MF	
R....18	57.11.3104	100 Kohm	1%, 0.25W, MF	



MONITOR UNIT 1.775.451.00

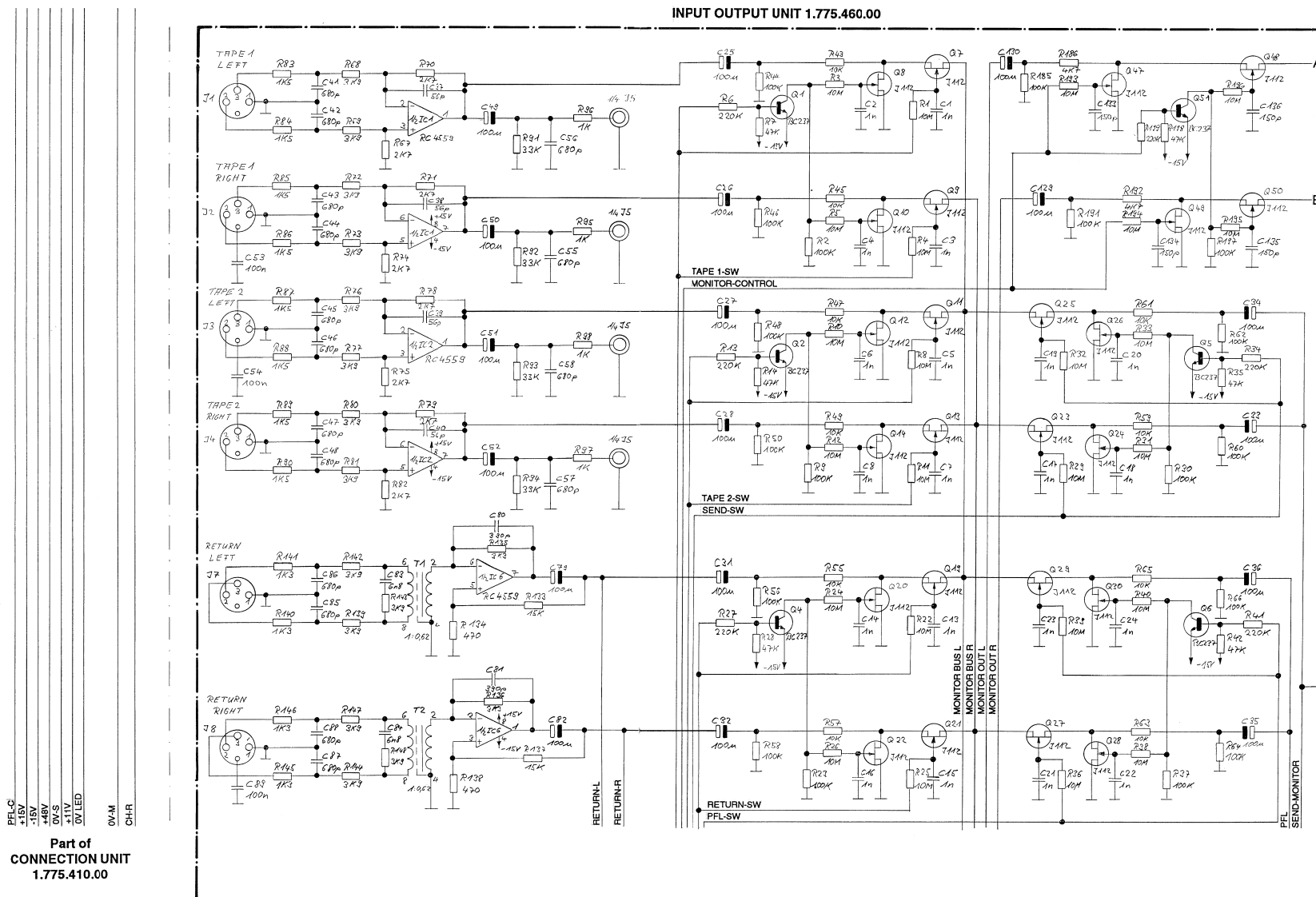
Ad	.POS.	...REF.No...	DESCRIPTION	MANUFACTURER
R....19	57.11.3104	100	KOhm	1k, 0.25W, MF
R....20	57.11.3104	100	KOhm	1k, 0.25W, MF
R....21	57.11.5106	10	MOhm	5k, 0.25W, MF
R....22	57.11.5106	10	MOhm	5k, 0.25W, MF
R....23	57.11.5106	10	MOhm	5k, 0.25W, MF
R....24	57.11.5106	10	MOhm	5k, 0.25W, MF
R....25	57.11.5106	10	MOhm	5k, 0.25W, MF
R....26	57.11.3103	10	KOhm	1k, 0.25W, MF
R....27	57.11.3103	10	KOhm	1k, 0.25W, MF
R....28	57.11.5106	10	MOhm	5k, 0.25W, MF
R....29	57.11.3103	10	KOhm	1k, 0.25W, MF
R....30	57.11.3103	10	KOhm	1k, 0.25W, MF
R....31	57.11.3124	120	KOhm	1k, 0.25W, MF
R....32	57.11.3331	330	Ohm	1k, 0.25W, MF
R....33	57.11.3331	330	Ohm	1k, 0.25W, MF
R....34	57.11.5106	10	MOhm	5k, 0.25W, MF
R....35	57.11.3124	120	KOhm	1k, 0.25W, MF
R....36	57.11.3391	390	Ohm	1k, 0.25W, MF
R....37	57.11.3391	390	Ohm	1k, 0.25W, MF
R....38	57.11.3271	270	Ohm	1k, 0.25W, MF
R....39	57.11.3271	270	Ohm	1k, 0.25W, MF
R....40	57.11.3103	10	KOhm	1k, 0.25W, MF
R....42	57.11.3103	10	KOhm	1k, 0.25W, MF
R....43	57.11.3103	10	KOhm	1k, 0.25W, MF
R....44	57.11.3103	10	KOhm	1k, 0.25W, MF
R....45	57.11.3123	12	KOhm	1k, 0.25W, MF
R....46	57.11.3562	5.6	KOhm	1k, 0.25W, MF
R....47	57.11.3562	5.6	KOhm	1k, 0.25W, MF
R....48	57.11.3330	33	Ohm	1k, 0.25W, MF
R....49	57.11.3270	27	Ohm	1k, 0.25W, MF
R...102	57.11.3222	2.2	KOhm	1k, 0.25W, MF
R...103	57.11.3332	3.3	KOhm	1k, 0.25W, MF
R...105	57.11.3330	33	Ohm	1k, 0.25W, MF
R...106	57.11.3104	100	KOhm	1k, 0.25W, MF
R...107	57.11.3822	8.2	KOhm	1k, 0.25W, MF
R...108	57.11.3222	2.2	KOhm	1k, 0.25W, MF
R...109	57.11.3223	22	KOhm	1k, 0.25W, MF
R...110	57.11.3102	1	KOhm	1k, 0.25W, MF
RA....1	1.775.340.01	1*10	KOhm	pos.log
RA....2	1.775.350.01	2*10	KOhm	pos.log
S....1	55.15.0110			1*2u
S....2	55.15.0110			1*2u
S....3	55.15.0110			1*2u
S....4	55.15.0110			1*2u
S....5	55.03.0266			Power Switch
W.....1	1.775.450.93			Wire List
EL=Electrolytic, C=Ceramic, PETP=Polyester				
MF=Metal Film				
MANUFACTURER: Ra=Raytheon, Mot=Motorola, Sig=Signetics				
1.775.451.00 MONITOR UNIT K6 92/01/2200				



INPUT OUTPUT UNIT 1.775.460.00  
- C.R. MONITOR UNIT 1.775.470.00

Overview:

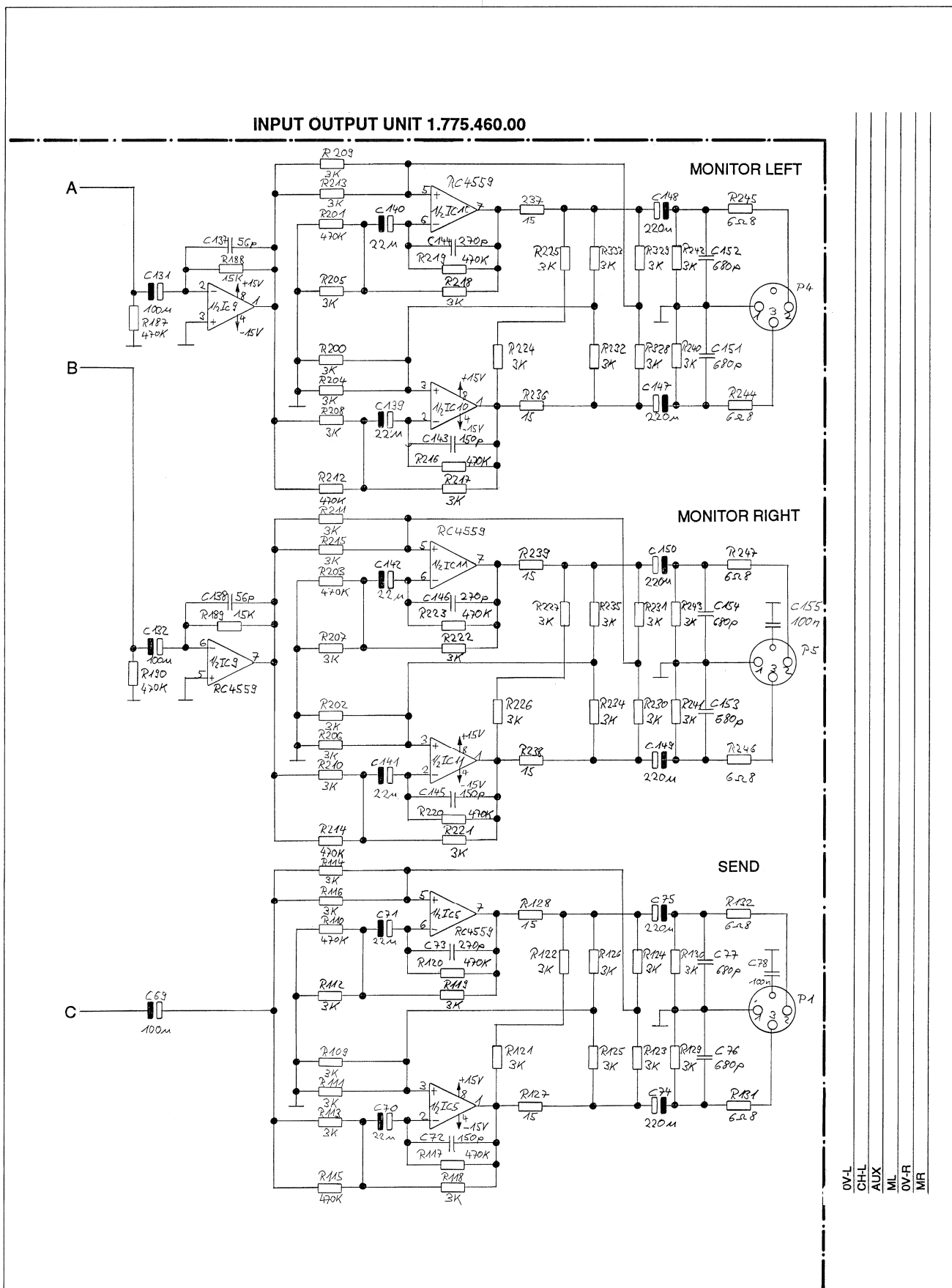
1	2	3
4	5	6



INPUT OUTPUT UNIT 1.775.460.00  
 - C.R. MONITOR UNIT 1.775.470.00

Overview:

1	2	3
4	5	6



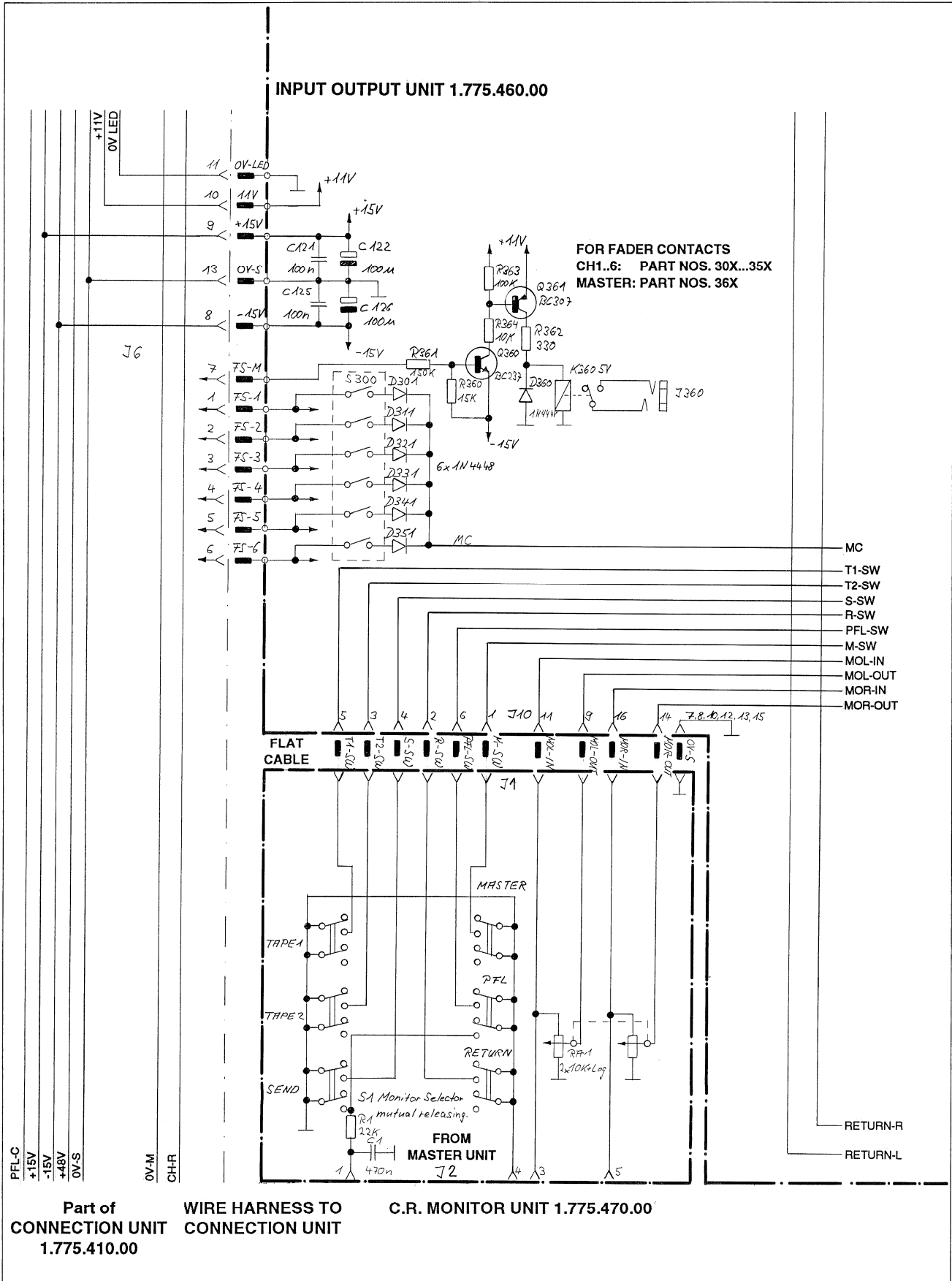
- OV-L
- CH-L
- AUX
- ML
- OV-F
- MR

INPUT OUTPUT UNIT 1.775.460.00  
 - C.R. MONITOR UNIT 1.775.470.00



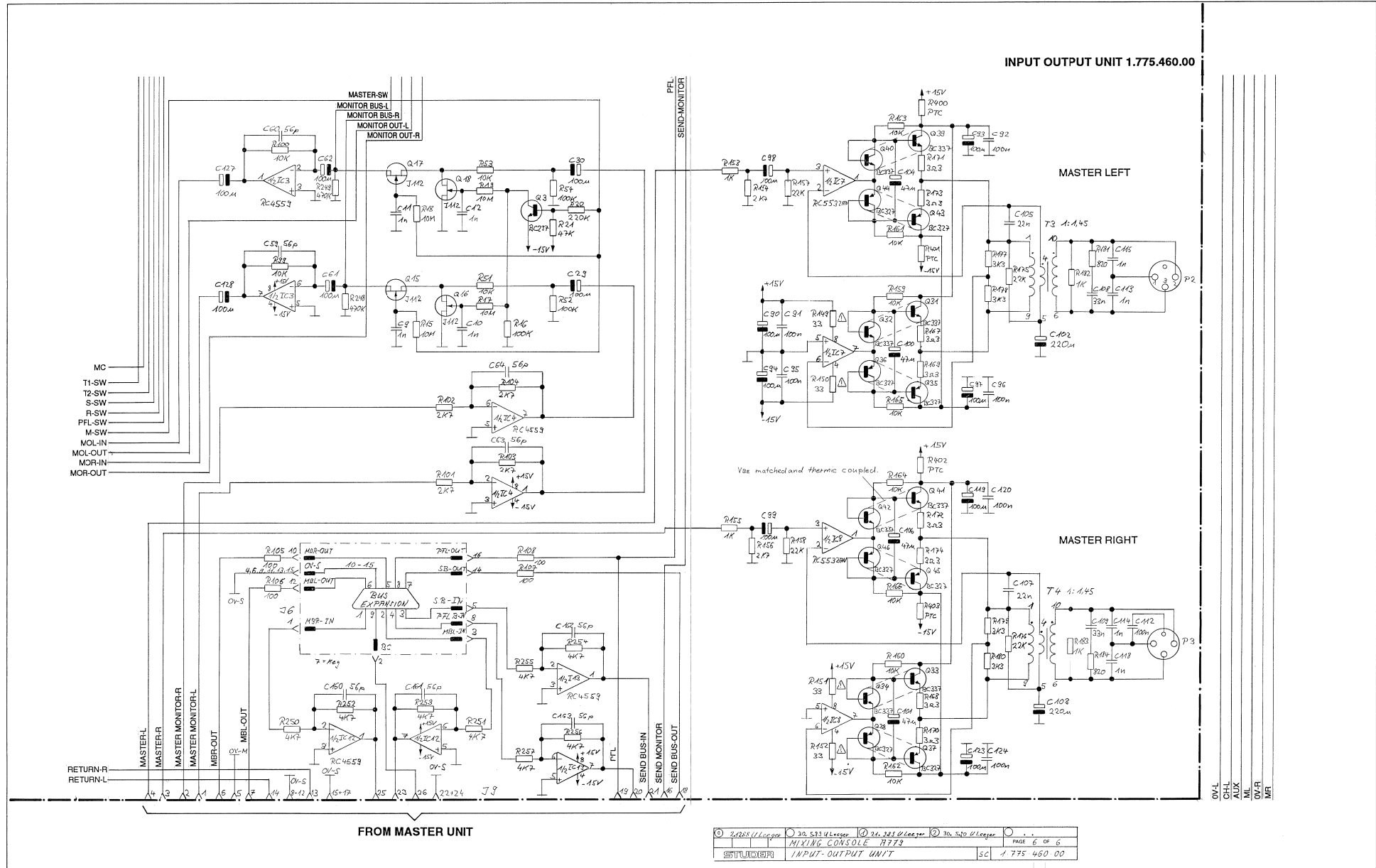
Overview:

1	2	3
4	5	6



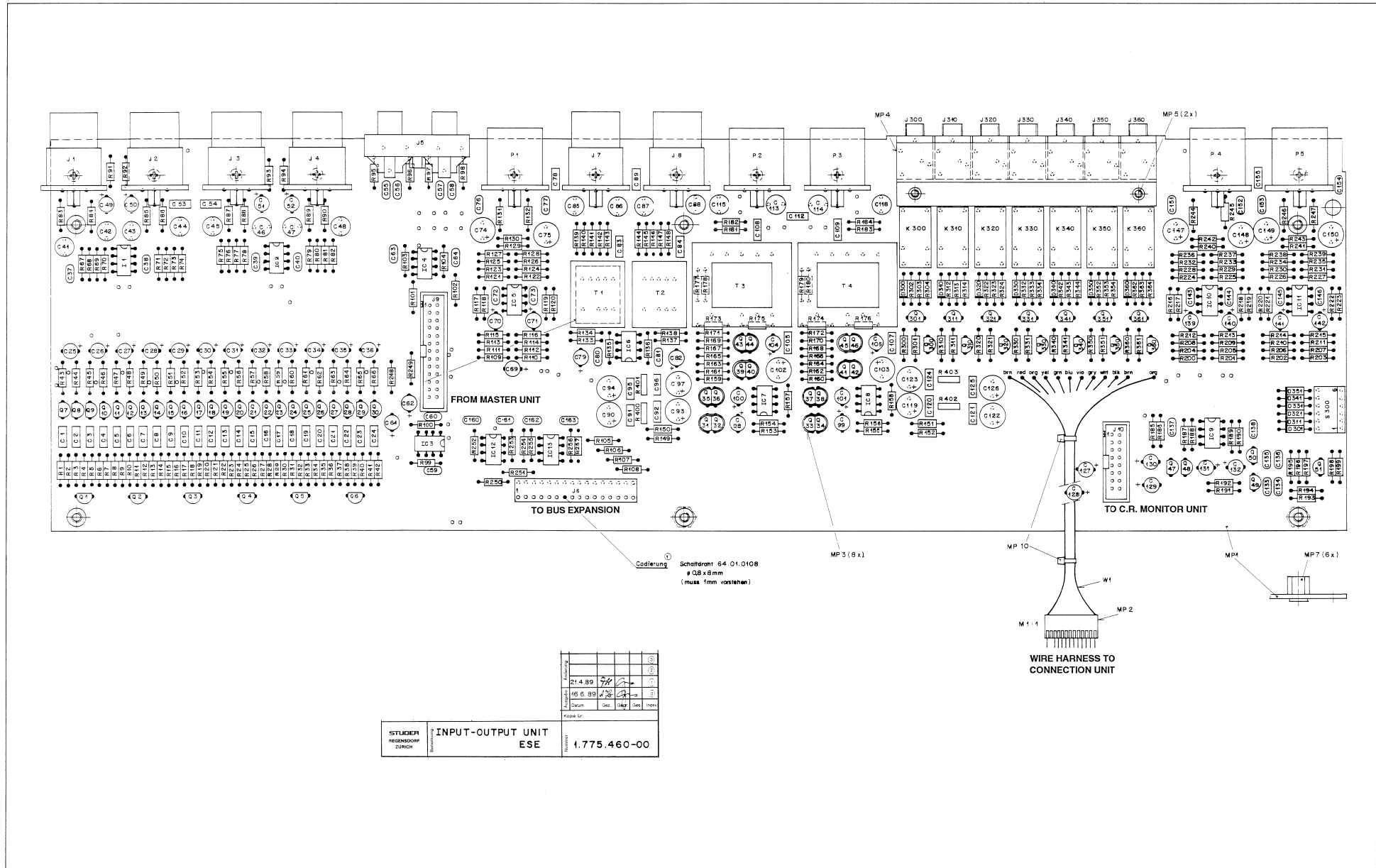
1	2	3
4	5	6

INPUT OUTPUT UNIT 1.775.460.00  
- C.R. MONITOR UNIT 1.775.470.00



① 21225 (1/1000)	② 30.533 (1/1000)	③ 31.385 (1/1000)	④ 30.520 (1/1000)	⑤ . . .
MIXING CONSOLE 7779				
STUDER	INPUT-OUTPUT UNIT	SC	1.775.460.00	PAGE 6 OF 6

INPUT OUTPUT UNIT 1.775.460.00







INPUT OUTPUT UNIT 1.775.460.00

Ad	POS.	REF.No.	DESCRIPTION	MANUFACTURER	Ad	POS.	REF.No.	DESCRIPTION	MANUFACTURER
C....1	59.06.0102	1 nF	10%, 25V	PETP	C...101	59.22.3470	47 uF	-20%, 10V	EL
C....2	59.06.0102	1 nF	10%, 25V	PETP	C...102	59.22.3221	220 uF	-20%, 10V	EL
C....3	59.06.0102	1 nF	10%, 25V	PETP	C...103	59.22.3221	220 uF	-20%, 10V	EL
C....4	59.06.0102	1 nF	10%, 25V	PETP	C...104	59.22.3470	47 uF	-20%, 10V	EL
C....5	59.06.0102	1 nF	10%, 25V	PETP	C...105	59.06.0223	22 nF	10%, 25V	PETP
C....6	59.06.0102	1 nF	10%, 25V	PETP	C...106	59.22.3470	47 uF	-20%, 10V	EL
C....7	59.06.0102	1 nF	10%, 25V	PETP	C...107	59.06.0223	22 nF	10%, 25V	PETP
C....8	59.06.0102	1 nF	10%, 25V	PETP	C...108	59.06.0333	33 nF	10%, 25V	PETP
C....9	59.06.0102	1 nF	10%, 25V	PETP	C...109	59.06.0333	33 nF	10%, 25V	PETP
C....10	59.06.0102	1 nF	10%, 25V	PETP	C...112	59.06.0104	100 nF	10%, 25V	PETP
C....11	59.06.0102	1 nF	10%, 25V	PETP	C...113	59.05.1102	1 nF	1%, 25V	PP
C....12	59.06.0102	1 nF	10%, 25V	PETP	C...114	59.05.1102	1 nF	1%, 25V	PP
C....13	59.06.0102	1 nF	10%, 25V	PETP	C...115	59.05.1102	1 nF	1%, 25V	PP
C....14	59.06.0102	1 nF	10%, 25V	PETP	C...118	59.05.1102	1 nF	1%, 25V	PP
C....15	59.06.0102	1 nF	10%, 25V	PETP	C...119	59.22.5101	100 uF	-20%, 25V	EL
C....16	59.06.0102	1 nF	10%, 25V	PETP	C...120	59.06.0104	100 nF	10%, 25V	PETP
C....17	59.06.0102	1 nF	10%, 25V	PETP	C...121	59.06.0104	100 nF	10%, 25V	PETP
C....18	59.06.0102	1 nF	10%, 25V	PETP	C...122	59.22.5101	100 uF	-20%, 25V	EL
C....19	59.06.0102	1 nF	10%, 25V	PETP	C...123	59.22.5101	100 uF	-20%, 25V	EL
C....20	59.06.0102	1 nF	10%, 25V	PETP	C...124	59.06.0104	100 nF	10%, 25V	PETP
C....21	59.06.0102	1 nF	10%, 25V	PETP	C...125	59.06.0104	100 nF	10%, 25V	PETP
C....22	59.06.0102	1 nF	10%, 25V	PETP	C...126	59.22.5101	100 uF	-20%, 25V	EL
C....23	59.06.0102	1 nF	10%, 25V	PETP	C...127	59.22.5101	100 uF	-20%, 25V	EL
C....24	59.06.0102	1 nF	10%, 25V	PETP	C...128	59.22.3101	100 uF	-20%, 10V	EL
C....25	59.22.3101	100 uF	-20%, 10V	EL	C...129	59.22.3101	100 uF	-20%, 10V	EL
C....26	59.22.3101	100 uF	-20%, 10V	EL	C...130	59.22.3101	100 uF	-20%, 10V	EL
C....27	59.22.3101	100 uF	-20%, 10V	EL	C...131	59.22.3101	100 uF	-20%, 10V	EL
C....28	59.22.3101	100 uF	-20%, 10V	EL	C...132	59.22.3101	100 uF	-20%, 10V	EL
C....29	59.22.3101	100 uF	-20%, 10V	EL	C...133	59.34.4151	150 pF	5%, 25V	C
C....30	59.22.3101	100 uF	-20%, 10V	EL	C...134	59.34.4151	150 pF	5%, 25V	C
C....31	59.22.3101	100 uF	-20%, 10V	EL	C...135	59.34.4151	150 pF	5%, 25V	C
C....32	59.22.3101	100 uF	-20%, 10V	EL	C...136	59.34.4151	150 pF	5%, 25V	C
C....33	59.22.3101	100 uF	-20%, 10V	EL	C...137	59.34.4560	56 pF	5%, 25V	C
C....34	59.22.3101	100 uF	-20%, 10V	EL	C...138	59.34.4560	56 pF	5%, 25V	C
C....35	59.22.3101	100 uF	-20%, 10V	EL	C...139	59.22.5220	22 uF	-20%, 10V	EL
C....36	59.22.3101	100 uF	-20%, 10V	EL	C...140	59.22.5220	22 uF	-20%, 10V	EL
C....37	59.34.4560	56 pF	5%, 25V	C	C...141	59.22.5220	22 uF	-20%, 10V	EL
C....38	59.34.4560	56 pF	5%, 25V	C	C...142	59.22.5220	22 uF	-20%, 10V	EL
C....39	59.34.4560	56 pF	5%, 25V	C	C...143	59.34.4151	150 pF	5%, 25V	C
C....40	59.34.4560	56 pF	5%, 25V	C	C...144	59.34.4271	270 pF	5%, 25V	C
C....41	59.05.1681	680 pF	1%, 25V	PP	C...145	59.34.4151	150 pF	5%, 25V	C
C....42	59.05.1681	680 pF	1%, 25V	PP	C...146	59.34.4271	270 pF	5%, 25V	C
C....43	59.05.1681	680 pF	1%, 25V	PP	C...147	59.22.3221	220 uF	-20%, 10V	EL
C....44	59.05.1681	680 pF	1%, 25V	PP	C...148	59.22.3221	220 uF	-20%, 10V	EL
C....45	59.05.1681	680 pF	1%, 25V	PP	C...149	59.22.3221	220 uF	-20%, 10V	EL
C....46	59.05.1681	680 pF	1%, 25V	PP	C...150	59.22.3221	220 uF	-20%, 10V	EL
C....47	59.05.1681	680 pF	1%, 25V	PP	C...151	59.32.2681	680 pF	10%, 25V	C
C....48	59.05.1681	680 pF	1%, 25V	PP	C...152	59.32.2681	680 pF	10%, 25V	C
C....49	59.22.3101	100 uF	-20%, 10V	EL	C...153	59.32.2681	680 pF	10%, 25V	C
C....50	59.22.3101	100 uF	-20%, 10V	EL	C...154	59.32.2681	680 pF	10%, 25V	C
C....51	59.22.3101	100 uF	-20%, 10V	EL	C...155	59.06.0104	100 nF	10%, 25V	PETP
C....52	59.22.3101	100 uF	-20%, 10V	EL	C...160	59.34.4560	56 pF	5%, 25V	C
C....53	59.06.0104	100 nF	10%, 25V	PETP	C...161	59.34.4560	56 pF	5%, 25V	C
C....54	59.06.0104	100 nF	10%, 25V	PETP	C...162	59.34.4560	56 pF	5%, 25V	C
C....55	59.32.2681	680 pF	10%, 25V	C	C...163	59.34.4560	56 pF	5%, 25V	C
C....56	59.32.2681	680 pF	10%, 25V	C	D...300	50.04.0125	1N 4448		
C....57	59.32.2681	680 pF	10%, 25V	C	D...301	50.04.0125	1N 4448		
C....58	59.32.2681	680 pF	10%, 25V	C	D...310	50.04.0125	1N 4448		
C....59	59.34.4560	56 pF	5%, 25V	C	D...311	50.04.0125	1N 4448		
C....60	59.34.4560	56 pF	5%, 25V	C	D...320	50.04.0125	1N 4448		
C....61	59.22.3101	100 uF	-20%, 10V	EL	D...321	50.04.0125	1N 4448		
C....62	59.22.3101	100 uF	-20%, 10V	EL	D...330	50.04.0125	1N 4448		
C....63	59.34.4560	56 pF	5%, 25V	C	D...331	50.04.0125	1N 4448		
C....64	59.34.4560	56 pF	5%, 25V	C	D...340	50.04.0125	1N 4448		
C....65	59.22.3101	100 uF	-20%, 10V	EL	D...341	50.04.0125	1N 4448		
C....66	59.22.5220	22 uF	-20%, 10V	EL	D...350	50.04.0125	1N 4448		
C....67	59.34.4151	150 pF	5%, 25V	C	D...351	50.04.0125	1N 4448		
C....68	59.34.4271	270 pF	5%, 25V	C	D...360	50.04.0125	1N 4448		
C....69	59.22.3221	220 uF	-20%, 10V	EL	IC...1	50.09.0118	RC4562		Ra
C....70	59.22.3221	220 uF	-20%, 10V	EL	IC...1	50.09.0107	RC4559		Ra
C....71	59.22.3221	220 uF	-20%, 10V	EL	IC...2	50.09.0118	RC4562		Ra
C....72	59.32.2681	680 pF	10%, 25V	C	IC...2	50.09.0107	RC4559		Ra
C....73	59.32.2681	680 pF	10%, 25V	C	IC...3	50.09.0118	RC4562		Ra
C....74	59.32.2681	680 pF	10%, 25V	C	IC...3	50.09.0107	RC4559		Ra
C....75	59.06.0104	100 nF	10%, 25V	PETP	IC...4	50.09.0118	RC4562		Ra
C....76	59.06.0104	100 nF	10%, 25V	PETP	IC...4	50.09.0107	RC4559		Ra
C....77	59.22.3101	100 uF	-20%, 10V	EL	IC...5	50.09.0118	RC4562		Ra
C....78	59.22.3101	100 uF	-20%, 10V	EL	IC...5	50.09.0107	RC4559		Ra
C....79	59.34.5391	390 pF	5%, 25V	C	IC...6	50.09.0118	RC4562		Ra
C....80	59.34.5391	390 pF	5%, 25V	C	IC...6	50.09.0107	RC4559		Ra
C....81	59.34.5391	390 pF	5%, 25V	C	IC...7	50.09.0118	RC4562		Ra
C....82	59.22.3101	100 uF	-20%, 10V	EL	IC...7	50.09.0106	RC5532AN		Ra
C....83	59.06.5682	6.8 nF	5%, 25V	PETP	IC...8	50.09.0118	RC4562		Ra
C....84	59.06.5682	6.8 nF	5%, 25V	PETP	IC...8	50.09.0106	RC5532AN		Ra
C....85	59.05.1681	680 pF	1%, 25V	PP	IC...9	50.09.0118	RC4562		Ra
C....86	59.05.1681	680 pF	1%, 25V	PP	IC...9	50.09.0107	RC4559		Ra
C....87	59.05.1681	680 pF	1%, 25V	PP	IC...10	50.09.0118	RC4562		Ra
C....88	59.05.1681	680 pF	1%, 25V	PP	IC...10	50.09.0107	RC4559		Ra
C....89	59.06.0104	100 nF	10%, 25V	PETP	IC...11	50.09.0118	RC4562		Ra
C....90	59.22.5101	100 uF	-20%, 25V	EL	IC...11	50.09.0107	RC4559		Ra
C....91	59.06.0104	100 nF	10%, 25V	PETP					
C....92	59.06.0104	100 nF	10%, 25V	PETP					
C....93	59.22.5101	100 uF	-20%, 25V	EL					
C....94	59.22.5101	100 uF	-20%, 25V	EL					
C....95	59.06.0104	100 nF	10%, 25V	PETP					
C....96	59.06.0104	100 nF	10%, 25V	PETP					
C....97	59.22.3101	100 uF	-20%, 10V	EL					
C....98	59.22.3101	100 uF	-20%, 10V	EL					
C....99	59.22.3101	100 uF	-20%, 10V	EL					
C...100	59.22.3470	47 uF	-20%, 10V	EL					



INPUT OUTPUT UNIT 1.775.460.00

Ad	POS	REF.No	DESCRIPTION	MANUFACTURER	Ad	POS	REF.No	DESCRIPTION	MANUFACTURER
02	IC...12	50.09.0118	RC4562	Ra	Q...	300	50.03.0436	BC 237	NPN
	IC...12	50.09.0107	RC4559	Ra					
	IC...13	50.09.0118	RC4562	Ra	Q...	301	50.03.0515	BC 307	PNP
02	IC...13	50.09.0107	RC4559	Ra	Q...	310	50.03.0436	BC 237	NPN
J....	1	54.21.2201	XLR		Q...	311	50.03.0515	BC 307	PNP
J....	2	54.21.2201	XLR		Q...	320	50.03.0436	BC 237	NPN
J....	3	54.21.2201	XLR						
J....	4	54.21.2201	XLR		Q...	321	50.03.0515	BC 307	PNP
J....	5	54.21.2007	4-Pole Cinch		Q...	330	50.03.0436	BC 237	NPN
J....	6	54.01.0294	16-Pole CIS						
J....	7	54.21.2201	XLR		Q...	331	50.03.0515	BC 307	PNP
J....	8	54.21.2201	XLR		Q...	340	50.03.0436	BC 237	NPN
J....	9	54.14.2003	26-Pole Connector for Flat-Cabel						
J....	10	54.14.2002	16-Pole Connector for Flat-Cabel		Q...	341	50.03.0515	BC 307	PNP
J....	300	54.24.0109	mini Jack		Q...	350	50.03.0436	BC 237	NPN
J....	310	54.24.0109	mini Jack						
J....	320	54.24.0109	mini Jack		Q...	351	50.03.0515	BC 307	PNP
J....	330	54.24.0109	mini Jack		Q...	360	50.03.0436	BC 237	NPN
J....	340	54.24.0109	mini Jack						
J....	350	54.24.0109	mini Jack		Q...	361	50.03.0515	BC 307	PNP
J....	360	54.24.0109	mini Jack						
K....	300	56.04.0190	5V Relais		R....	1	57.11.5106	10 MOhm	10%, 0.25W, MF
K....	310	56.04.0190	5V Relais		R....	2	57.11.3104	100 KOhm	1%, 0.25W, MF
K....	320	56.04.0190	5V Relais		R....	3	57.11.5106	10 MOhm	10%, 0.25W, MF
K....	330	56.04.0190	5V Relais		R....	4	57.11.5106	10 MOhm	10%, 0.25W, MF
K....	340	56.04.0190	5V Relais		R....	5	57.11.5106	10 MOhm	10%, 0.25W, MF
K....	350	56.04.0190	5V Relais		R....	6	57.11.3224	220 KOhm	1%, 0.25W, MF
K....	360	56.04.0190	5V Relais		R....	7	57.11.3473	47 KOhm	1%, 0.25W, MF
					R....	8	57.11.5106	10 MOhm	10%, 0.25W, MF
					R....	9	57.11.3104	100 KOhm	1%, 0.25W, MF
					R....	10	57.11.5106	10 MOhm	10%, 0.25W, MF
MP....	1	1.775.460.11	INPUT-OUTPUT PCB		R....	11	57.11.5106	10 MOhm	10%, 0.25W, MF
MP....	2	54.01.0281	13-Pole CIS		R....	12	57.11.5106	10 MOhm	10%, 0.25W, MF
MP....	3	50.20.2001	8 pcs Thermo Clip		R....	13	57.11.3224	220 KOhm	1%, 0.25W, MF
MP....	4	1.775.400.03	Holder		R....	14	57.11.3473	47 KOhm	1%, 0.25W, MF
MP....	5	21.38.1352	2 pcs Screw		R....	15	57.11.5106	10 MOhm	10%, 0.25W, MF
MP....	6	20.99.0103	11 pcs Screw		R....	16	57.11.3104	100 KOhm	1%, 0.25W, MF
MP....	7	1.010.017.22	6 pcs Tubular-Rivet		R....	17	57.11.5106	10 MOhm	10%, 0.25W, MF
MP....	8	43.01.0108	ESE Label		R....	18	57.11.5106	10 MOhm	10%, 0.25W, MF
MP....	9	1.775.460.01	Nr. Label		R....	19	57.11.5106	10 MOhm	10%, 0.25W, MF
MP....	10	35.03.0109	2 pcs Mounting-Belt		R....	20	57.11.3224	220 KOhm	1%, 0.25W, MF
P....	1	54.21.2200	XLR		R....	21	57.11.3473	47 KOhm	1%, 0.25W, MF
P....	2	54.21.2200	XLR		R....	22	57.11.5106	10 MOhm	10%, 0.25W, MF
P....	3	54.21.2200	XLR		R....	23	57.11.3104	100 KOhm	1%, 0.25W, MF
P....	4	54.21.2200	XLR		R....	24	57.11.5106	10 MOhm	10%, 0.25W, MF
P....	5	54.21.2200	XLR		R....	25	57.11.5106	10 MOhm	10%, 0.25W, MF
Q....	1	50.03.0436	BC237 NPN		R....	26	57.11.5106	10 MOhm	10%, 0.25W, MF
Q....	2	50.03.0436	BC237 NPN		R....	27	57.11.3224	220 KOhm	1%, 0.25W, MF
Q....	3	50.03.0436	BC237 NPN		R....	28	57.11.3473	47 KOhm	1%, 0.25W, MF
Q....	4	50.03.0436	BC237 NPN		R....	29	57.11.5106	10 MOhm	10%, 0.25W, MF
Q....	5	50.03.0436	BC237 NPN		R....	30	57.11.3104	100 KOhm	1%, 0.25W, MF
Q....	6	50.03.0436	BC237 NPN						
Q....	7	50.03.0350	J 112 FET	Mot	R....	31	57.11.5106	10 MOhm	10%, 0.25W, MF
Q....	8	50.03.0350	J 112 FET	Mot	R....	32	57.11.5106	10 MOhm	10%, 0.25W, MF
Q....	9	50.03.0350	J 112 FET	Mot	R....	33	57.11.5106	10 MOhm	10%, 0.25W, MF
Q....	10	50.03.0350	J 112 FET	Mot	R....	34	57.11.3224	220 KOhm	1%, 0.25W, MF
Q....	11	50.03.0350	J 112 FET	Mot	R....	35	57.11.3473	47 KOhm	1%, 0.25W, MF
Q....	12	50.03.0350	J 112 FET	Mot	R....	36	57.11.5106	10 MOhm	10%, 0.25W, MF
Q....	13	50.03.0350	J 112 FET	Mot	R....	37	57.11.3104	100 KOhm	1%, 0.25W, MF
Q....	14	50.03.0350	J 112 FET	Mot	R....	38	57.11.5106	10 MOhm	10%, 0.25W, MF
Q....	15	50.03.0350	J 112 FET	Mot	R....	39	57.11.5106	10 MOhm	10%, 0.25W, MF
Q....	16	50.03.0350	J 112 FET	Mot	R....	40	57.11.5106	10 MOhm	10%, 0.25W, MF
Q....	17	50.03.0350	J 112 FET	Mot	R....	41	57.11.3224	220 KOhm	1%, 0.25W, MF
Q....	18	50.03.0350	J 112 FET	Mot	R....	42	57.11.3473	47 KOhm	1%, 0.25W, MF
Q....	19	50.03.0350	J 112 FET	Mot	R....	43	57.11.3103	10 KOhm	1%, 0.25W, MF
Q....	20	50.03.0350	J 112 FET	Mot	R....	44	57.11.3104	100 KOhm	1%, 0.25W, MF
Q....	21	50.03.0350	J 112 FET	Mot	R....	45	57.11.3103	10 KOhm	1%, 0.25W, MF
Q....	22	50.03.0350	J 112 FET	Mot	R....	46	57.11.3104	100 KOhm	1%, 0.25W, MF
Q....	23	50.03.0350	J 112 FET	Mot	R....	47	57.11.3103	10 KOhm	1%, 0.25W, MF
Q....	24	50.03.0350	J 112 FET	Mot	R....	48	57.11.3104	100 KOhm	1%, 0.25W, MF
Q....	25	50.03.0350	J 112 FET	Mot	R....	49	57.11.3103	10 KOhm	1%, 0.25W, MF
Q....	26	50.03.0350	J 112 FET	Mot	R....	50	57.11.3104	100 KOhm	1%, 0.25W, MF
Q....	27	50.03.0350	J 112 FET	Mot					
Q....	28	50.03.0350	J 112 FET	Mot	R....	51	57.11.3103	10 KOhm	1%, 0.25W, MF
Q....	29	50.03.0350	J 112 FET	Mot	R....	52	57.11.3104	100 KOhm	1%, 0.25W, MF
Q....	30	50.03.0350	J 112 FET	Mot	R....	53	57.11.3103	10 KOhm	1%, 0.25W, MF
Q....	31	50.03.0516	BC337 NPN match		R....	54	57.11.3104	100 KOhm	1%, 0.25W, MF
Q....	32	50.03.0516	BC337 NPN match		R....	55	57.11.3103	10 KOhm	1%, 0.25W, MF
Q....	33	50.03.0516	BC337 NPN match		R....	56	57.11.3104	100 KOhm	1%, 0.25W, MF
Q....	34	50.03.0516	BC337 NPN match		R....	57	57.11.3103	10 KOhm	1%, 0.25W, MF
Q....	35	50.03.0625	BC327 PNP match		R....	58	57.11.3104	100 KOhm	1%, 0.25W, MF
Q....	36	50.03.0625	BC327 PNP match		R....	59	57.11.3103	10 KOhm	1%, 0.25W, MF
Q....	37	50.03.0625	BC327 PNP match		R....	60	57.11.3104	100 KOhm	1%, 0.25W, MF
Q....	38	50.03.0625	BC327 PNP match		R....	61	57.11.3103	10 KOhm	1%, 0.25W, MF
Q....	39	50.03.0516	BC337 NPN match		R....	62	57.11.3104	100 KOhm	1%, 0.25W, MF
Q....	40	50.03.0516	BC337 NPN match		R....	63	57.11.3103	10 KOhm	1%, 0.25W, MF
Q....	41	50.03.0516	BC337 NPN match		R....	64	57.11.3104	100 KOhm	1%, 0.25W, MF
Q....	42	50.03.0516	BC337 NPN match		R....	65	57.11.3103	10 KOhm	1%, 0.25W, MF
Q....	43	50.03.0625	BC327 PNP match		R....	66	57.11.3104	100 KOhm	1%, 0.25W, MF
Q....	44	50.03.0625	BC327 PNP match		R....	67	57.11.3272	2.7 KOhm	1%, 0.25W, MF
Q....	45	50.03.0625	BC327 PNP match		R....	68	57.11.3392	3.9 KOhm	1%, 0.25W, MF
Q....	46	50.03.0625	BC327 PNP match		R....	69	57.11.3392	3.9 KOhm	1%, 0.25W, MF
Q....	47	50.03.0350	J 112 FET	Mot	R....	70	57.11.3272	2.7 KOhm	1%, 0.25W, MF
Q....	48	50.03.0350	J 112 FET	Mot	R....	71	57.11.3272	2.7 KOhm	1%, 0.25W, MF
Q....	49	50.03.0350	J 112 FET	Mot	R....	72	57.11.3392	3.9 KOhm	1%, 0.25W, MF
Q....	50	50.03.0350	J 112 FET	Mot	R....	73	57.11.3392	3.9 KOhm	1%, 0.25W, MF
Q....	51	50.03.0436	BC 237 NPN		R....	74	57.11.3272	2.7 KOhm	1%, 0.25W, MF
					R....	75	57.11.3272	2.7 KOhm	1%, 0.25W, MF
					R....	76	57.11.3392	3.9 KOhm	1%, 0.25W, MF
					R....	77	57.11.3392	3.9 KOhm	1%, 0.25W, MF





INPUT OUTPUT UNIT 1.775.460.00

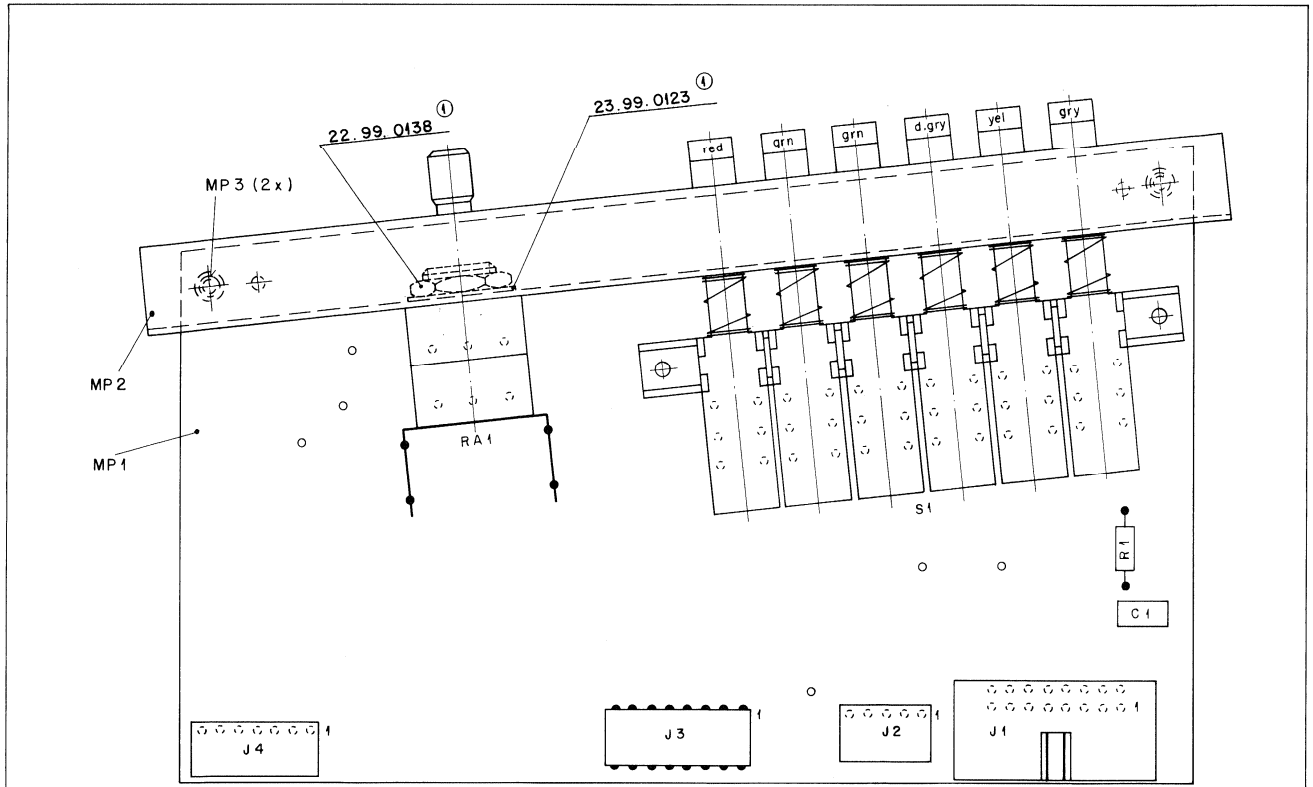
Ad	..POS..	..REF.No..	DESCRIPTION.....	MANUFACTURER
R...321	57.11.3154	150	KOhm 1%, 0.25W, MF	
R...322	57.11.3331	330	Ohm 1%, 0.25W, MF	
R...323	57.11.3103	10	KOhm 1%, 0.25W, MF	
R...324	57.11.3103	10	KOhm 1%, 0.25W, MF	
R...330	57.11.3153	15	KOhm 1%, 0.25W, MF	
R...331	57.11.3154	150	KOhm 1%, 0.25W, MF	
R...332	57.11.3331	330	Ohm 1%, 0.25W, MF	
R...333	57.11.3103	10	KOhm 1%, 0.25W, MF	
R...334	57.11.3103	10	KOhm 1%, 0.25W, MF	
R...340	57.11.3153	15	KOhm 1%, 0.25W, MF	
R...341	57.11.3154	150	KOhm 1%, 0.25W, MF	
R...342	57.11.3331	330	Ohm 1%, 0.25W, MF	
R...343	57.11.3103	10	KOhm 1%, 0.25W, MF	
R...344	57.11.3103	10	KOhm 1%, 0.25W, MF	
R...350	57.11.3153	15	KOhm 1%, 0.25W, MF	
R...351	57.11.3154	150	KOhm 1%, 0.25W, MF	
R...352	57.11.3331	330	Ohm 1%, 0.25W, MF	
R...353	57.11.3103	10	KOhm 1%, 0.25W, MF	
R...354	57.11.3103	10	KOhm 1%, 0.25W, MF	
R...360	57.11.3153	15	KOhm 1%, 0.25W, MF	
R...361	57.11.3154	150	KOhm 1%, 0.25W, MF	
R...362	57.11.3331	330	Ohm 1%, 0.25W, MF	
R...363	57.11.3103	10	KOhm 1%, 0.25W, MF	
R...364	57.11.3103	10	KOhm 1%, 0.25W, MF	
R...400	57.92.1121	22	Ohm PTC 56V	
R...401	57.92.1121	22	Ohm PTC 56V	
R...402	57.92.1121	22	Ohm PTC 56V	
R...403	57.92.1121	22	Ohm PTC 56V	
S...300	55.12.1106	6x	on/off Switch	
T.....1	1.022.451.00		Input-Transformer 1:0,62	ST
T.....2	1.022.451.00		Input-Transformer 1:0,62	ST
T.....3	1.022.362.00		Output-Transformer 1:1,45	ST
T.....4	1.022.362.00		Output-Transformer 1:1,45	ST
W.....1	1.775.460.93		Wire List	

MF=Metal-film, EI=Electrolytic, Cer=Ceramic, PETP=Polyester, PP=Polypropylen

MANUFACTURER: Mot=Motorola, Ra=Raytheon, ST=Studer

1.775.460.00	INPUT-OUTPUT UNIT	UL89/02/0900
1.775.460.00	INPUT-OUTPUT UNIT	UL89/09/2101
1.775.460.00	INPUT-OUTPUT UNIT	UL90/05/3002

C.R. MONITOR UNIT 1.775.470.00



Änderung					⑤
8.1.91	Al	St	St		④
13.6.89	Al	St	St		③
Datum	Gez.	Ähr.	Gez.	Index	

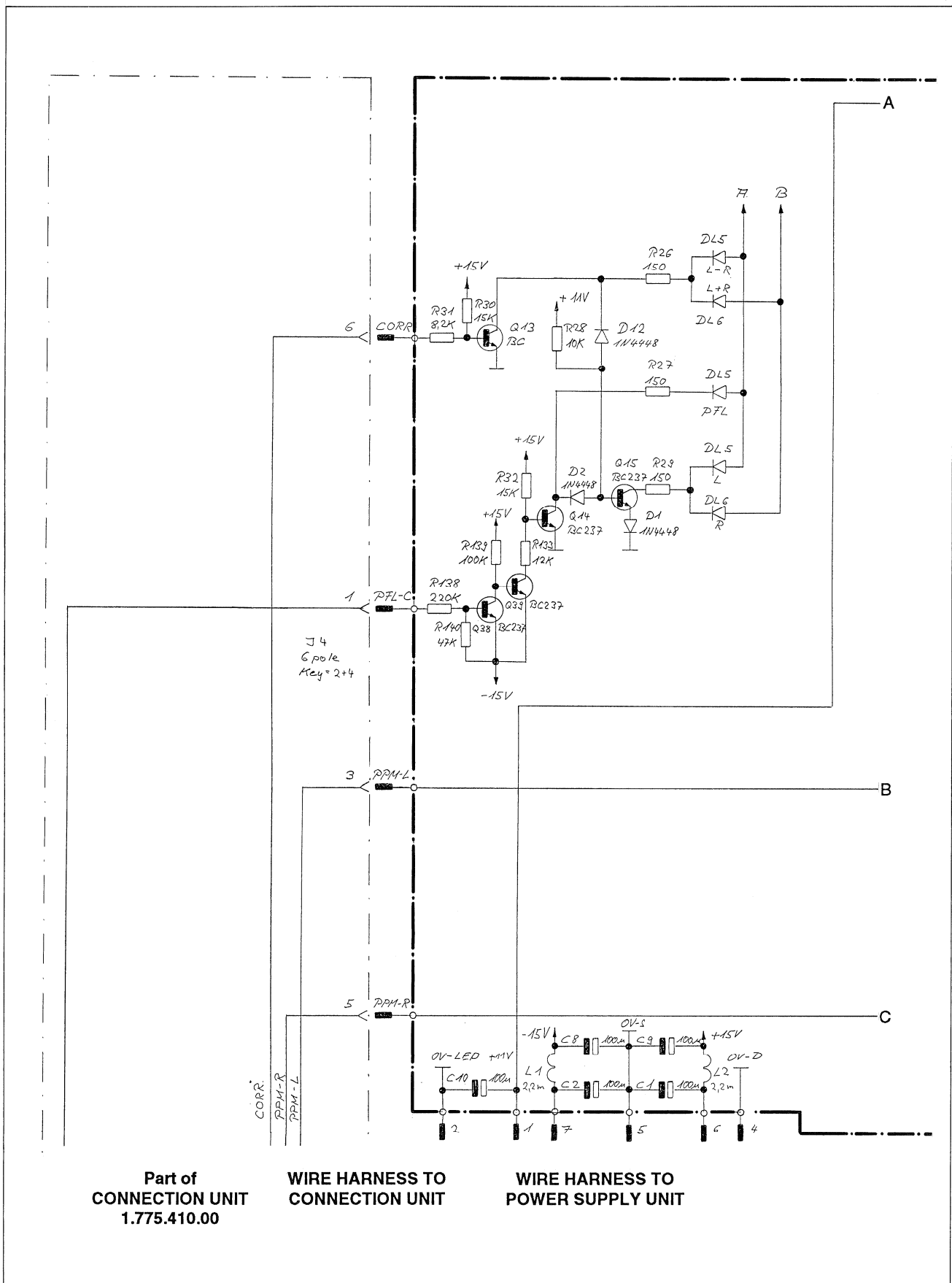
STUDER REGENSDORF ZÜRICH	Beschreibung	CR-MONITOR UNIT	Nummer	1.775.470-00
		Kopie für:		

Ad	..POS..	...REF.No...	DESCRIPTION.....	MANUFACTURER
C.....1		59.06.0474	470 nF 10%, 50V, EL	
J.....1		54.14.2072	16-Pole PCB Connector for Flat-Cable	
J.....2		54.01.0246	5-Pole CIS	
J.....3		54.01.0306	8-Pole CIS	
J.....4		54.01.0263	7-Pole CIS	
MP....1		1.775.470.11	CR MONITOR	
MP....2		1.775.470.01	U-Profile	
MP....3		21.38.1352	2 pcs Screw	
MP....4		1.775.470.02	Nr.Label	
R.....1		57.11.3223	22 KOhm 1%, 0.25W, MF	
RA....1		1.775.350.01	2x10KOhm pos.log	
S.....1		55.15.0031	6x2u Push Button	

MF=Metall-film, EL=Electrolytic

1.775.470.00 CR-MONITOR UNIT UL89/02/0900

DISPLAY UNIT 1.775.310.00



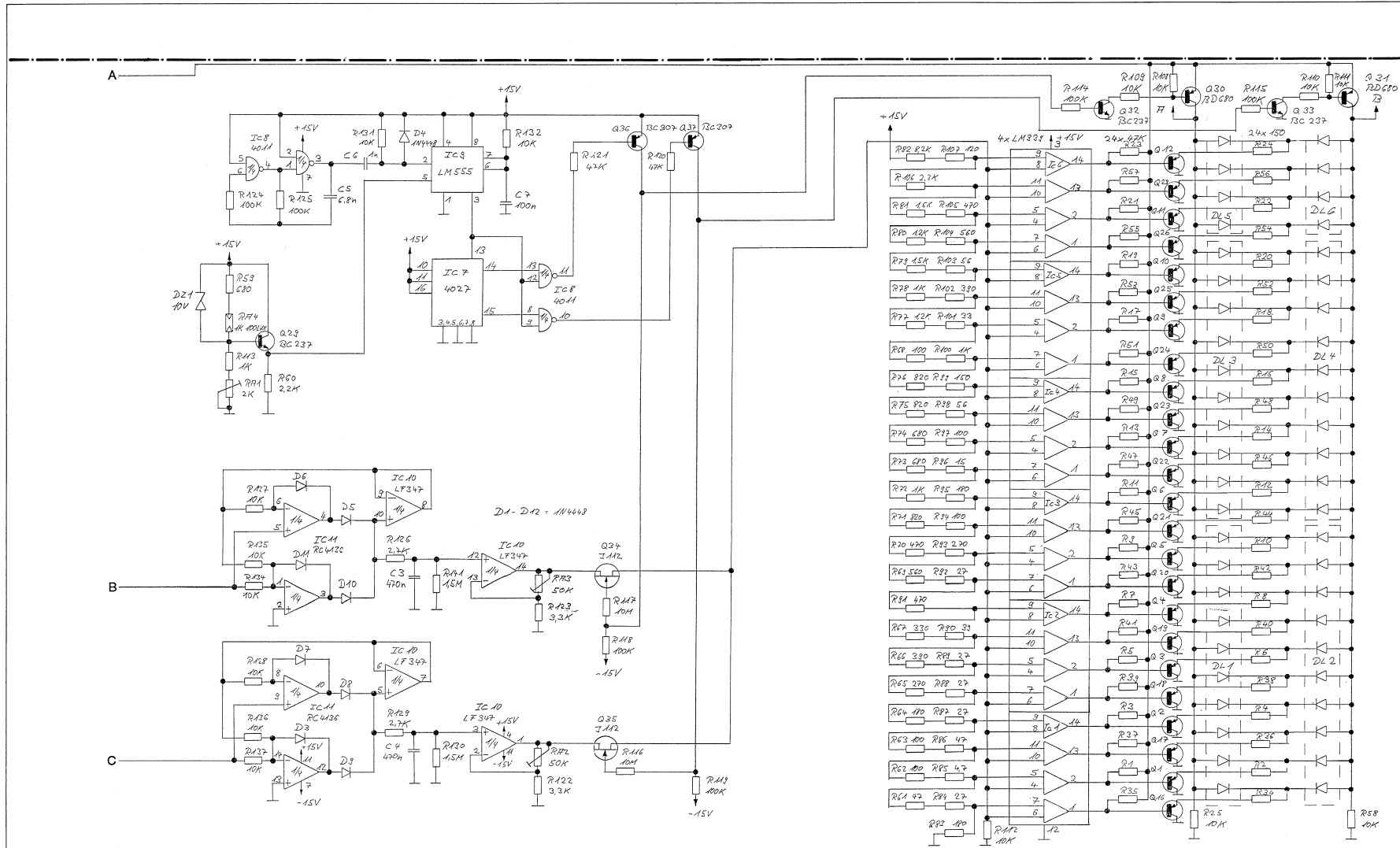
Part of CONNECTION UNIT 1.775.410.00

WIRE HARNESS TO CONNECTION UNIT

WIRE HARNESS TO POWER SUPPLY UNIT

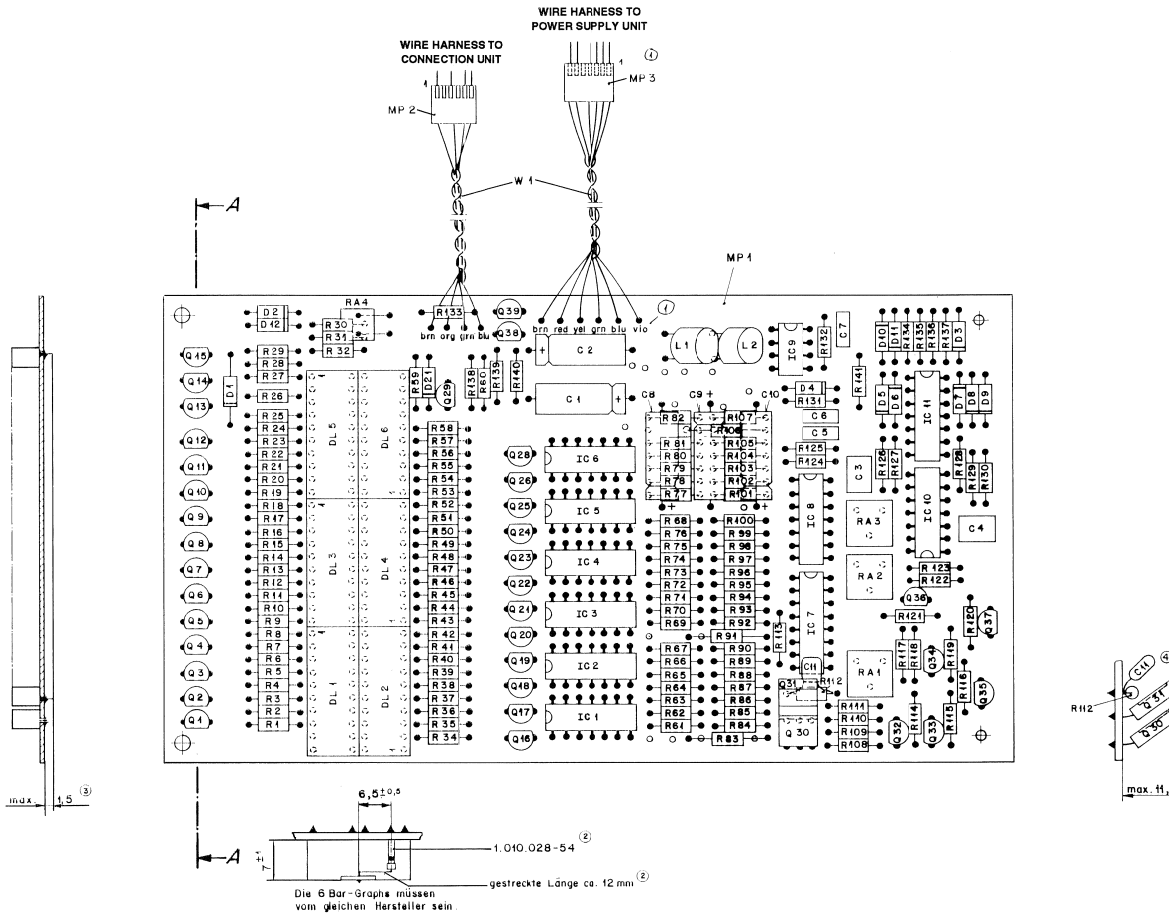


DISPLAY UNIT 1.775.310.00



30118 Ullmann	2.583 Ullmann			
STUDER MIXING CONSOLE 777			PAGE 3 OF 3	
CONNECTION UNIT			SC	1.775.410.00

DISPLAY UNIT 1.775.310.00



Material	Best.Nr.	Abm.	Ein.	Gr.	Gr.	Gr.	Gr.	Gr.
5.6.90								
27.10.89								
28.1.86								
2.2.86								
4.8.86								

STÜBLER REGENSDORF ZÜRICH	DISPLAY UNIT ESE	Nummer	1.775.310-00
---------------------------------	------------------	--------	--------------

Ad	POS.	REF.No.	DESCRIPTION	MANUFACTURER
C.....1	59.25.4101	100 uF	-20%, 25V, EL	
C.....2	59.25.4101	100 uF	-20%, 25V, EL	
C.....3	59.06.0474	0.47uF	10%, 25V, PETP	
C.....4	59.06.0474	0.47uF	10%, 25V, PETP	
C.....5	59.06.0682	6.8 nF	10%, 25V, PETP	
C.....6	59.06.0102	1 nF	10%, 25V, PETP	
C.....7	59.06.0104	100 nF	10%, 25V, PETP	
C.....8	59.25.4101	100 uF	-20%, 25V, EL	
C.....9	59.25.4101	100 uF	-20%, 25V, EL	
C.....10	59.25.4101	100 uF	-20%, 25V, EL	
04 C.....11	59.32.4102	1 nF	20%, 25V, CER	
D.....1	50.04.0125	1N 4448	any	
D.....2	50.04.0125	1N 4448	any	
D.....3	50.04.0125	1N 4448	any	
D.....4	50.04.0125	1N 4448	any	
D.....5	50.04.0125	1N 4448	any	
D.....6	50.04.0125	1N 4448	any	
D.....7	50.04.0125	1N 4448	any	
D.....8	50.04.0125	1N 4448	any	
D.....9	50.04.0125	1N 4448	any	
D.....10	50.04.0125	1N 4448	any	
D.....11	50.04.0125	1N 4448	any	
D.....12	50.04.0125	1N 4448	any	
DL.....1	50.04.2161	gn/dif	BAR-GRAPH	
DL.....2	50.04.2161	gn/dif	BAR-GRAPH	
DL.....3	50.04.2161	gn/dif	BAR-GRAPH	
DL.....4	50.04.2161	gn/dif	BAR-GRAPH	
DL.....5	50.04.2150	rt/dif	BAR-GRAPH	
DL.....6	50.04.2150	rt/dif	BAR-GRAPH	
02 DZ.....1	50.04.1117	12V Z		
DZ.....1	50.04.1114	10V Z		
IC.....1	50.11.0104	LM339	NS	
IC.....2	50.11.0104	LM339	NS	
IC.....3	50.11.0104	LM339	NS	
IC.....4	50.11.0104	LM339	NS	
IC.....5	50.11.0104	LM339	NS	
IC.....6	50.11.0104	LM339	NS	
IC.....7	50.07.0027	4027		
IC.....8	50.07.1011	4011		
IC.....9	50.05.0156	LM555	NS	
IC.....10	50.09.0104	LF347N	NS	
IC.....11	50.05.0232	RC4136	TI	
01 L.....1	62.02.1222	2.2mH		
L.....1	62.02.1222	2.2mH		
L.....2	62.02.1222	2.2mH		
L.....2	62.02.1222	2.2mH		
MP.....1	1.775.310.11	6-Pole	DISPLAY PCB	
MP.....2	54.01.0230	CIS	CIS	Not
MP.....3	54.01.0233	CIS	CIS	Not
03 MP.....4	1.010.028.54	7-Pole	Connect Pin	
03 MP.....5	1.010.028.54	Connect Pin	Connect Pin	
Q.....1	50.03.0515	BC 307	PNP	Not
Q.....2	50.03.0515	BC 307	PNP	Not
Q.....3	50.03.0515	BC 307	PNP	Not
Q.....4	50.03.0515	BC 307	PNP	Not
Q.....5	50.03.0515	BC 307	PNP	Not
Q.....6	50.03.0515	BC 307	PNP	Not
Q.....7	50.03.0515	BC 307	PNP	Not
Q.....8	50.03.0515	BC 307	PNP	Not
Q.....9	50.03.0515	BC 307	PNP	Not
Q.....10	50.03.0515	BC 307	PNP	Not
Q.....11	50.03.0515	BC 307	PNP	Not
Q.....12	50.03.0515	BC 307	PNP	Not
Q.....13	50.03.0515	BC 307	PNP	Not
Q.....14	50.03.0436	BC 237	NPN	Not
Q.....15	50.03.0436	BC 237	NPN	Not
Q.....16	50.03.0515	BC 307	PNP	Not
Q.....17	50.03.0515	BC 307	PNP	Not
Q.....18	50.03.0515	BC 307	PNP	Not
Q.....19	50.03.0515	BC 307	PNP	Not
Q.....20	50.03.0515	BC 307	PNP	Not
Q.....21	50.03.0515	BC 307	PNP	Not
Q.....22	50.03.0515	BC 307	PNP	Not
Q.....23	50.03.0515	BC 307	PNP	Not
Q.....24	50.03.0515	BC 307	PNP	Not
Q.....25	50.03.0515	BC 307	PNP	Not
Q.....26	50.03.0515	BC 307	PNP	Not
Q.....28	50.03.0515	BC 307	PNP	Not
Q.....29	50.03.0436	BC 237	NPN	Not
Q.....30	50.03.0505	BD 680	PNP	Not
Q.....31	50.03.0505	BD 680	PNP	Not
Q.....32	50.03.0436	BC 237	NPN	Not
Q.....33	50.03.0436	BC 237	NPN	Not
Q.....34	50.03.0350	J 112	FET	Not
Q.....35	50.03.0350	J 112	FET	Not
Q.....36	50.03.0515	BC 307	PNP	Not
Q.....37	50.03.0515	BC 307	PNP	Not
Q.....38	50.03.0436	BC 237	NPN	Not
Q.....39	50.03.0436	BC 237	NPN	Not
R.....1	57.11.4473	47 Kohm	2%, 0.25W, MF	
R.....2	57.11.4151	150 Ohm	2%, 0.25W, MF	
R.....3	57.11.4473	47 Kohm	2%, 0.25W, MF	



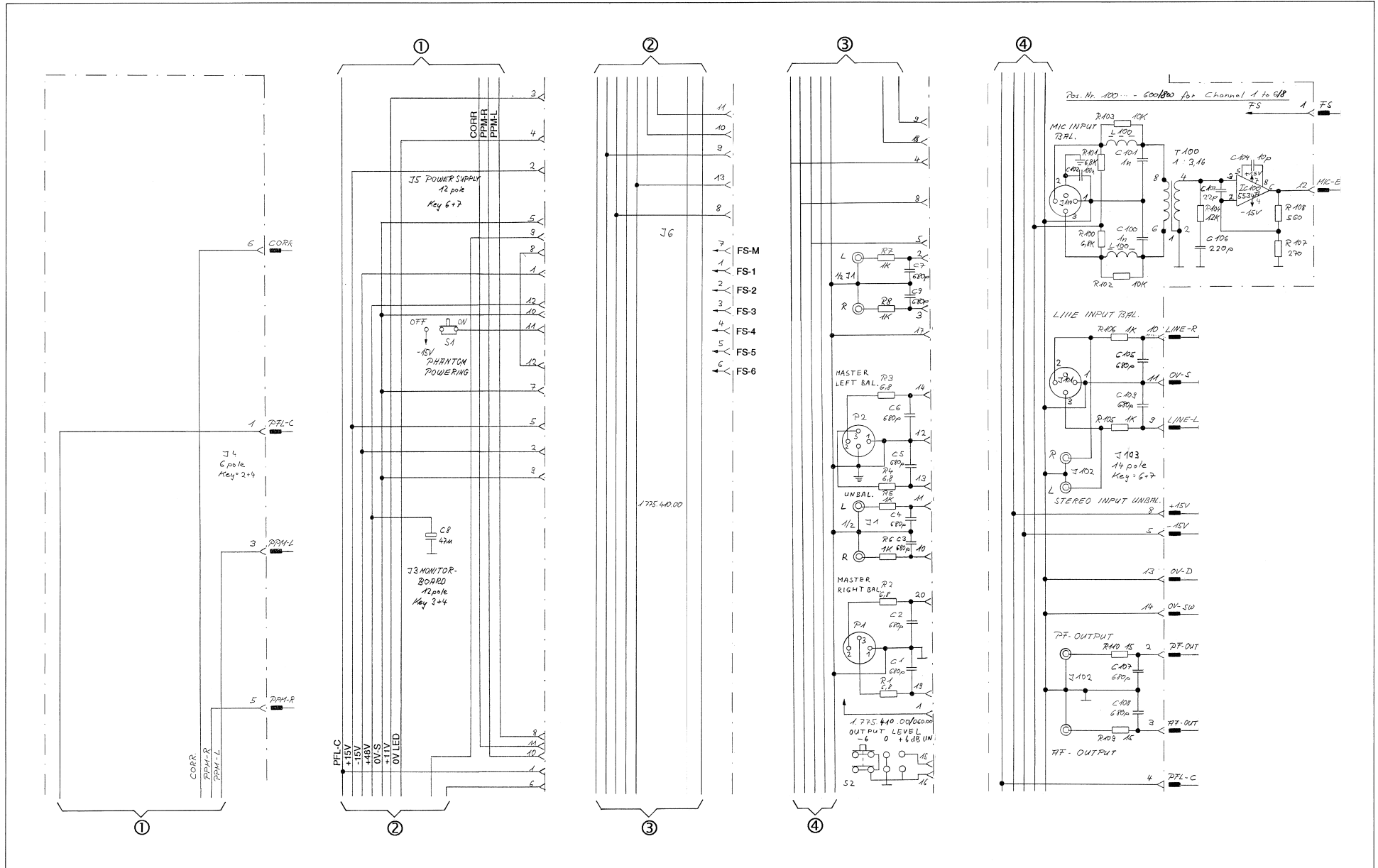


DISPLAY UNIT 1.775.310.00

Ad	..POS..	..REF.No...	DESCRIPTION.....	MANUFACTURER	Ad	..POS..	..REF.No...	DESCRIPTION.....	MANUFACTURER
R....4	57.11.4151	150	Ohm	2%, 0.25W, MF	R...101	57.11.4330	33	Ohm	2%, 0.25W, MF
R....5	57.11.4473	47	KOhm	2%, 0.25W, MF	R...102	57.11.4391	390	Ohm	2%, 0.25W, MF
R....6	57.11.4151	150	Ohm	2%, 0.25W, MF	R...103	57.11.4560	56	Ohm	2%, 0.25W, MF
R....7	57.11.4473	47	KOhm	2%, 0.25W, MF	R...104	57.11.4561	560	Ohm	2%, 0.25W, MF
R....8	57.11.4151	150	Ohm	2%, 0.25W, MF	R...105	57.11.4471	470	Ohm	2%, 0.25W, MF
R....9	57.11.4473	47	KOhm	2%, 0.25W, MF	R...106	57.11.4222	2.2	KOhm	2%, 0.25W, MF
R...10	57.11.4151	150	Ohm	2%, 0.25W, MF	R...107	57.11.4121	120	Ohm	2%, 0.25W, MF
R...11	57.11.4473	47	KOhm	2%, 0.25W, MF	R...108	57.11.4103	10	KOhm	2%, 0.25W, MF
R...12	57.11.4151	150	Ohm	2%, 0.25W, MF	R...109	57.11.4103	10	KOhm	2%, 0.25W, MF
R...13	57.11.4473	47	KOhm	2%, 0.25W, MF	R...110	57.11.4103	10	KOhm	2%, 0.25W, MF
R...14	57.11.4151	150	Ohm	2%, 0.25W, MF	R...111	57.11.4103	10	KOhm	2%, 0.25W, MF
R...15	57.11.4473	47	KOhm	2%, 0.25W, MF	R...112	57.11.4103	10	KOhm	2%, 0.25W, MF
R...16	57.11.4151	150	Ohm	2%, 0.25W, MF	R...113	57.11.4102	1	KOhm	2%, 0.25W, MF
R...17	57.11.4473	47	KOhm	2%, 0.25W, MF	R...114	57.11.4104	100	KOhm	2%, 0.25W, MF
R...18	57.11.4151	150	Ohm	2%, 0.25W, MF	R...115	57.11.4104	100	KOhm	2%, 0.25W, MF
R...19	57.11.4473	47	KOhm	2%, 0.25W, MF	R...116	57.11.5106	10	MOhm	2%, 0.25W, MF
R...20	57.11.4151	150	Ohm	2%, 0.25W, MF	R...117	57.11.5106	10	MOhm	2%, 0.25W, MF
R...21	57.11.4473	47	KOhm	2%, 0.25W, MF	R...118	57.11.4104	100	KOhm	2%, 0.25W, MF
R...22	57.11.4151	150	Ohm	2%, 0.25W, MF	R...119	57.11.4104	100	KOhm	2%, 0.25W, MF
R...23	57.11.4473	47	KOhm	2%, 0.25W, MF	R...120	57.11.4473	47	KOhm	2%, 0.25W, MF
R...24	57.11.4151	150	Ohm	2%, 0.25W, MF	R...121	57.11.4473	47	KOhm	2%, 0.25W, MF
R...25	57.11.4103	10	KOhm	2%, 0.25W, MF	R...122	57.11.4332	3.3	KOhm	2%, 0.25W, MF
R...26	57.11.4151	150	Ohm	2%, 0.25W, MF	R...123	57.11.4332	3.3	KOhm	2%, 0.25W, MF
R...27	57.11.4151	150	Ohm	2%, 0.25W, MF	R...124	57.11.4104	100	KOhm	2%, 0.25W, MF
R...28	57.11.4103	10	KOhm	2%, 0.25W, MF	R...125	57.11.4104	100	KOhm	2%, 0.25W, MF
R...29	57.11.4151	150	Ohm	2%, 0.25W, MF	R...126	57.11.4272	2.7	KOhm	2%, 0.25W, MF
R...30	57.11.4153	15	KOhm	2%, 0.25W, MF	R...127	57.11.4103	10	KOhm	2%, 0.25W, MF
R...31	57.11.4822	8.2	KOhm	2%, 0.25W, MF	R...128	57.11.4103	10	KOhm	2%, 0.25W, MF
R...32	57.11.4153	15	KOhm	2%, 0.25W, MF	R...129	57.11.4272	2.7	KOhm	2%, 0.25W, MF
R...33	57.11.4151	150	Ohm	2%, 0.25W, MF	R...130	57.11.5155	1.5	MOhm	5%, 0.25W, MF
R...34	57.11.4151	150	Ohm	2%, 0.25W, MF	R...131	57.11.4103	10	KOhm	2%, 0.25W, MF
R...35	57.11.4473	47	KOhm	2%, 0.25W, MF	R...132	57.11.4103	10	KOhm	2%, 0.25W, MF
R...36	57.11.4151	150	Ohm	2%, 0.25W, MF	R...133	57.11.4123	12	KOhm	2%, 0.25W, MF
R...37	57.11.4473	47	KOhm	2%, 0.25W, MF	R...134	57.11.4103	10	KOhm	2%, 0.25W, MF
R...38	57.11.4151	150	Ohm	2%, 0.25W, MF	R...135	57.11.4103	10	KOhm	2%, 0.25W, MF
R...39	57.11.4473	47	KOhm	2%, 0.25W, MF	R...136	57.11.4103	10	KOhm	2%, 0.25W, MF
R...40	57.11.4151	150	Ohm	2%, 0.25W, MF	R...137	57.11.4103	10	KOhm	2%, 0.25W, MF
R...41	57.11.4473	47	KOhm	2%, 0.25W, MF	R...138	57.11.4224	220	KOhm	2%, 0.25W, MF
R...42	57.11.4151	150	Ohm	2%, 0.25W, MF	R...139	57.11.4104	100	KOhm	2%, 0.25W, MF
R...43	57.11.4473	47	KOhm	2%, 0.25W, MF	R...140	57.11.4473	47	KOhm	2%, 0.25W, MF
R...44	57.11.4151	150	Ohm	2%, 0.25W, MF	R...141	57.11.5155	1.5	MOhm	5%, 0.25W, MF
R...45	57.11.4473	47	KOhm	2%, 0.25W, MF	RA...1	58.01.8202	2	KOhm	-10%, 0.50W, C
R...46	57.11.4151	150	Ohm	2%, 0.25W, MF	RA...2	58.01.8503	50	KOhm	-10%, 0.50W, C
R...47	57.11.4473	47	KOhm	2%, 0.25W, MF	RA...3	58.01.8503	50	KOhm	-10%, 0.50W, C
R...48	57.11.4151	150	Ohm	2%, 0.25W, MF	RA...4	57.99.0135	1	KOhm	100Lux LDR
R...49	57.11.4473	47	KOhm	2%, 0.25W, MF	W....1	1.775.310.93			Wire List
R...50	57.11.4151	150	Ohm	2%, 0.25W, MF					EL=Electrolytic, C=Ceramic, PETP=Polyester
R...51	57.11.4473	47	KOhm	2%, 0.25W, MF					MF=Metal Film
R...52	57.11.4151	150	Ohm	2%, 0.25W, MF					MANUFACTURER: Mot=Motorola, NS=National Semiconductor
R...53	57.11.4473	47	KOhm	2%, 0.25W, MF					TI=Texas Instruments
R...54	57.11.4151	150	Ohm	2%, 0.25W, MF					1.775.310.00 DISPLAY UNIT "ESE" UL 86/02/0500
R...55	57.11.4473	47	KOhm	2%, 0.25W, MF					1.775.310.00 DISPLAY UNIT "ESE" UL 86/10/1001
R...56	57.11.4151	150	Ohm	2%, 0.25W, MF					1.775.310.00 DISPLAY UNIT "ESE" UL 86/11/1802
R...57	57.11.4473	47	KOhm	2%, 0.25W, MF					1.775.310.00 DISPLAY UNIT "ESE" UL 86/11/2703
R...58	57.11.4103	10	KOhm	2%, 0.25W, MF					1.775.310.00 DISPLAY UNIT "ESE" SP 90/06/0504
R...59	57.11.4681	680	Ohm	2%, 0.25W, MF					
R...60	57.11.4222	2.2	KOhm	2%, 0.25W, MF					
R...61	57.11.4470	47	Ohm	2%, 0.25W, MF					
R...62	57.11.4101	100	Ohm	2%, 0.25W, MF					
R...63	57.11.4101	100	Ohm	2%, 0.25W, MF					
R...64	57.11.4181	180	Ohm	2%, 0.25W, MF					
R...65	57.11.4271	270	Ohm	2%, 0.25W, MF					
R...66	57.11.4391	390	Ohm	2%, 0.25W, MF					
R...67	57.11.4331	330	Ohm	2%, 0.25W, MF					
R...68	57.11.4101	100	Ohm	2%, 0.25W, MF					
R...69	57.11.4561	560	Ohm	2%, 0.25W, MF					
R...70	57.11.4471	470	Ohm	2%, 0.25W, MF					
R...71	57.11.4821	820	Ohm	2%, 0.25W, MF					
R...72	57.11.4102	1	kOhm	2%, 0.25W, MF					
R...73	57.11.4681	680	Ohm	2%, 0.25W, MF					
R...74	57.11.4681	680	Ohm	2%, 0.25W, MF					
R...75	57.11.4821	820	Ohm	2%, 0.25W, MF					
R...76	57.11.4821	820	Ohm	2%, 0.25W, MF					
R...77	57.11.4122	1.2	KOhm	2%, 0.25W, MF					
R...78	57.11.4102	1	kOhm	2%, 0.25W, MF					
R...79	57.11.4152	1.5	KOhm	2%, 0.25W, MF					
R...80	57.11.4122	1.2	KOhm	2%, 0.25W, MF					
R...81	57.11.4152	1.5	KOhm	2%, 0.25W, MF					
R...82	57.11.4822	8.2	KOhm	2%, 0.25W, MF					
R...83	57.11.4181	180	Ohm	2%, 0.25W, MF					
R...84	57.11.4270	27	Ohm	2%, 0.25W, MF					
R...85	57.11.4479	4.7	Ohm	2%, 0.25W, MF					
R...86	57.11.4470	47	Ohm	2%, 0.25W, MF					
R...87	57.11.4270	27	Ohm	2%, 0.25W, MF					
R...88	57.11.4270	27	Ohm	2%, 0.25W, MF					
R...89	57.11.4270	27	Ohm	2%, 0.25W, MF					
R...90	57.11.4390	39	Ohm	2%, 0.25W, MF					
R...91	57.11.4471	470	Ohm	2%, 0.25W, MF					
R...92	57.11.4270	27	Ohm	2%, 0.25W, MF					
R...93	57.11.4271	270	Ohm	2%, 0.25W, MF					
R...94	57.11.4101	100	Ohm	2%, 0.25W, MF					
R...95	57.11.4181	180	Ohm	2%, 0.25W, MF					
R...96	57.11.4150	15	Ohm	2%, 0.25W, MF					
R...97	57.11.4101	100	Ohm	2%, 0.25W, MF					
R...98	57.11.4560	56	Ohm	2%, 0.25W, MF					
R...99	57.11.4151	150	Ohm	2%, 0.25W, MF					
R...100	57.11.4102	1	KOhm	2%, 0.25W, MF					



CONNECTION UNIT 1.775.410.00







CONNECTION UNIT 1.775.410.00

Ad	..POS..	..REF.No..	DESCRIPTION	MANUFACTURER	Ad	..POS..	..REF.No..	DESCRIPTION	MANUFACTURER
C...	601	59.05.1102	1 nF	1k, 25V, PP	R...	208	57.11.3561	560 Ohm	1k, 0.25W, MF
C...	602	59.06.0104	100 nF	10k, 25V, PETP	R...	209	57.11.3150	15 Ohm	1k, 0.25W, MF
C...	603	59.34.2220	22 pF	10k, 25V, C	R...	210	57.11.3150	15 Ohm	1k, 0.25W, MF
C...	604	59.34.1100	10 pF	10k, 25V, C	R...	300	57.99.0250	6.8 Kohm	0.1k, 0.25W, MF
C...	605	59.32.2681	680 pF	10k, 25V, C	R...	301	57.99.0250	6.8 Kohm	0.1k, 0.25W, MF
C...	606	59.34.4221	220 pF	10k, 25V, C	R...	302	57.11.3103	10 Kohm	1k, 0.25W, MF
C...	607	59.32.2681	680 pF	10k, 25V, C	R...	303	57.11.3103	10 Kohm	1k, 0.25W, MF
C...	608	59.32.2681	680 pF	10k, 25V, C	R...	304	57.11.3123	12 Kohm	1k, 0.25W, MF
C...	609	59.32.2681	680 pF	10k, 25V, C	R...	305	57.11.3102	1 Kohm	1k, 0.25W, MF
IC...	100	50.05.0244	NE5534A	Sig	R...	306	57.11.3102	1 Kohm	1k, 0.25W, MF
IC...	200	50.05.0244	NE5534A	Sig	R...	307	57.11.3271	270 Ohm	1k, 0.25W, MF
IC...	300	50.05.0244	NE5534A	Sig	R...	308	57.11.3561	560 Ohm	1k, 0.25W, MF
IC...	400	50.05.0244	NE5534A	Sig	R...	309	57.11.3150	15 Ohm	1k, 0.25W, MF
IC...	500	50.05.0244	NE5534A	Sig	R...	310	57.11.3150	15 Ohm	1k, 0.25W, MF
IC...	600	50.05.0244	NE5534A	Sig	R...	400	57.99.0250	6.8 Kohm	0.1k, 0.25W, MF
J....	1	54.21.1020	4-Pole	Pin Jacks	R...	401	57.99.0250	6.8 Kohm	0.1k, 0.25W, MF
J....	2	54.01.0237	20-Pole	CIS	R...	402	57.11.3103	10 Kohm	1k, 0.25W, MF
J....	3	54.01.0236	12-Pole	CIS	R...	403	57.11.3103	10 Kohm	1k, 0.25W, MF
J....	4	54.01.0238	6-Pole	CIS	R...	404	57.11.3123	12 Kohm	1k, 0.25W, MF
J....	5	54.01.0236	12-Pole	CIS	R...	405	57.11.3102	1 Kohm	1k, 0.25W, MF
J....	6	54.01.0309	13-Pole	CIS	R...	406	57.11.3271	270 Ohm	1k, 0.25W, MF
J...	100	54.21.2002	XLR		R...	407	57.11.3561	560 Ohm	1k, 0.25W, MF
J...	101	54.21.2002	XLR		R...	408	57.11.3150	15 Ohm	1k, 0.25W, MF
J...	102	54.21.1020	4-Pole	Pin Jacks	R...	409	57.11.3150	15 Ohm	1k, 0.25W, MF
J...	103	54.01.0300	14-Pole	CIS	R...	500	57.99.0250	6.8 Kohm	0.1k, 0.25W, MF
J...	200	54.21.2002	XLR		R...	501	57.99.0250	6.8 Kohm	0.1k, 0.25W, MF
J...	201	54.21.2002	XLR		R...	502	57.11.3103	10 Kohm	1k, 0.25W, MF
J...	202	54.21.1020	4-Pole	Pin Jacks	R...	503	57.11.3103	10 Kohm	1k, 0.25W, MF
J...	203	54.01.0300	14-Pole	CIS	R...	504	57.11.3123	12 Kohm	1k, 0.25W, MF
J...	300	54.21.2002	XLR		R...	505	57.11.3102	1 Kohm	1k, 0.25W, MF
J...	301	54.21.2002	XLR		R...	506	57.11.3102	1 Kohm	1k, 0.25W, MF
J...	302	54.21.1020	4-Pole	Pin Jacks	R...	507	57.11.3271	270 Ohm	1k, 0.25W, MF
J...	303	54.01.0300	14-Pole	CIS	R...	508	57.11.3561	560 Ohm	1k, 0.25W, MF
J...	400	54.21.2002	XLR		R...	509	57.11.3150	15 Ohm	1k, 0.25W, MF
J...	401	54.21.2002	XLR		R...	510	57.11.3150	15 Ohm	1k, 0.25W, MF
J...	402	54.21.1020	4-Pole	Pin Jacks	R...	601	57.99.0250	6.8 Kohm	0.1k, 0.25W, MF
J...	403	54.01.0300	14-Pole	CIS	R...	602	57.11.3103	10 Kohm	1k, 0.25W, MF
J...	500	54.21.2002	XLR		R...	603	57.11.3103	10 Kohm	1k, 0.25W, MF
J...	501	54.21.2002	XLR		R...	604	57.11.3123	12 Kohm	1k, 0.25W, MF
J...	502	54.21.1020	4-Pole	Pin Jacks	R...	605	57.11.3102	1 Kohm	1k, 0.25W, MF
J...	503	54.01.0300	14-Pole	CIS	R...	606	57.11.3102	1 Kohm	1k, 0.25W, MF
J...	600	54.21.2002	XLR		R...	607	57.11.3271	270 Ohm	1k, 0.25W, MF
J...	601	54.21.2002	XLR		R...	608	57.11.3561	560 Ohm	1k, 0.25W, MF
J...	602	54.21.1020	4-Pole	Pin Jacks	R...	609	57.11.3150	15 Ohm	1k, 0.25W, MF
J...	603	54.01.0300	14-Pole	CIS	R...	610	57.11.3150	15 Ohm	1k, 0.25W, MF
L...	100	1.022.207.00		ST	S....	1	55.12.0004	2*2u	
L...	200	1.022.207.00		ST	S....	2	55.12.0006	3*2u	
L...	300	1.022.207.00		ST	T...	100	1.022.417.00	13.16	ST
L...	400	1.022.207.00		ST	T...	200	1.022.417.00	13.16	ST
L...	500	1.022.207.00		ST	T...	300	1.022.417.00	13.16	ST
L...	600	1.022.207.00		ST	T...	400	1.022.417.00	13.16	ST
MP...	1	1.775.320.11	Connection PCB		T...	500	1.022.417.00	13.16	ST
MP...	2	1.775.320.01	Screening		T...	600	1.022.417.00	13.16	ST
MP...	3	1.775.410.01	Br. Label		XIC...	100	53.03.0166	8-pole	IC-Socket
MP...	4	43.C1.0108	ESE Label		XIC...	200	53.03.0166	8-pole	IC-Socket
P....	1	54.21.2001	XLR		XIC...	300	53.03.0166	8-pole	IC-Socket
P....	2	54.21.2001	XLR		XIC...	400	53.03.0166	8-pole	IC-Socket
R....	1	57.11.3689	6.8 Ohm	1k, 0.25W, MF	XIC...	500	53.03.0166	8-pole	IC-Socket
R....	2	57.11.3689	6.8 Ohm	1k, 0.25W, MF	XIC...	600	53.03.0166	8-pole	IC-Socket
R....	3	57.11.3689	6.8 Ohm	1k, 0.25W, MF					
R....	4	57.11.3689	6.8 Ohm	1k, 0.25W, MF					
R....	5	57.11.3102	1 Kohm	1k, 0.25W, MF					
R....	6	57.11.3102	1 Kohm	1k, 0.25W, MF					
R....	7	57.11.3102	1 Kohm	1k, 0.25W, MF					
R....	8	57.11.3102	1 Kohm	1k, 0.25W, MF					
R...	100	57.99.0250	6.8 Kohm	0.1k, 0.25W, MF					
R...	101	57.99.0250	6.8 Kohm	0.1k, 0.25W, MF					
R...	102	57.11.3103	10 Kohm	1k, 0.25W, MF					
R...	103	57.11.3103	10 Kohm	1k, 0.25W, MF					
R...	104	57.11.3123	12 Kohm	1k, 0.25W, MF					
R...	105	57.11.3102	1 Kohm	1k, 0.25W, MF					
R...	106	57.11.3102	1 Kohm	1k, 0.25W, MF					
R...	107	57.11.3271	270 Ohm	1k, 0.25W, MF					
R...	108	57.11.3561	560 Ohm	1k, 0.25W, MF					
R...	109	57.11.3150	15 Ohm	1k, 0.25W, MF					
R...	110	57.11.3150	15 Ohm	1k, 0.25W, MF					
R...	200	57.99.0250	6.8 Kohm	0.1k, 0.25W, MF					
R...	201	57.99.0250	6.8 Kohm	0.1k, 0.25W, MF					
R...	202	57.11.3103	10 Kohm	1k, 0.25W, MF					
R...	203	57.11.3103	10 Kohm	1k, 0.25W, MF					
R...	204	57.11.3123	12 Kohm	1k, 0.25W, MF					
R...	205	57.11.3102	1 Kohm	1k, 0.25W, MF					
R...	206	57.11.3102	1 Kohm	1k, 0.25W, MF					
R...	207	57.11.3271	270 Ohm	1k, 0.25W, MF					

Input Channel 1-6 : NO. 100.- 600.  
Master Channel : NO. 1....

M=Metalfilm  
C=Ceramic, PETP=Polyester, EL=Electrolytic, PP=Polypropylene

MANUFACTURER: Sig+Stetics, ST+Studer

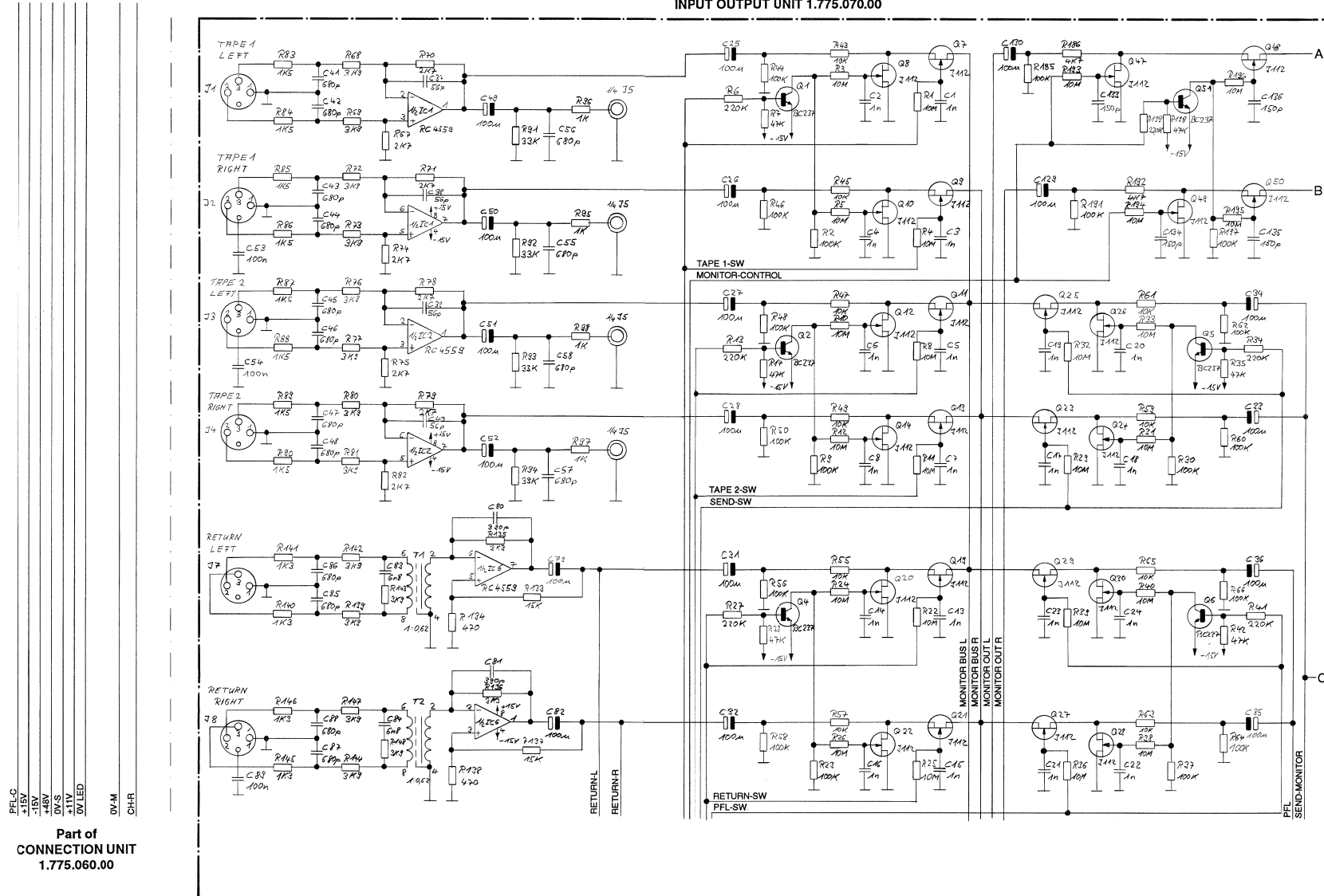
1.775.410.00 CONNECTION UNIT UL 89/04/2700



INPUT OUTPUT UNIT 1.775.070.00  
 - C.R. MONITOR UNIT 1.775.470.00

1	2	3
4	5	6

INPUT OUTPUT UNIT 1.775.070.00

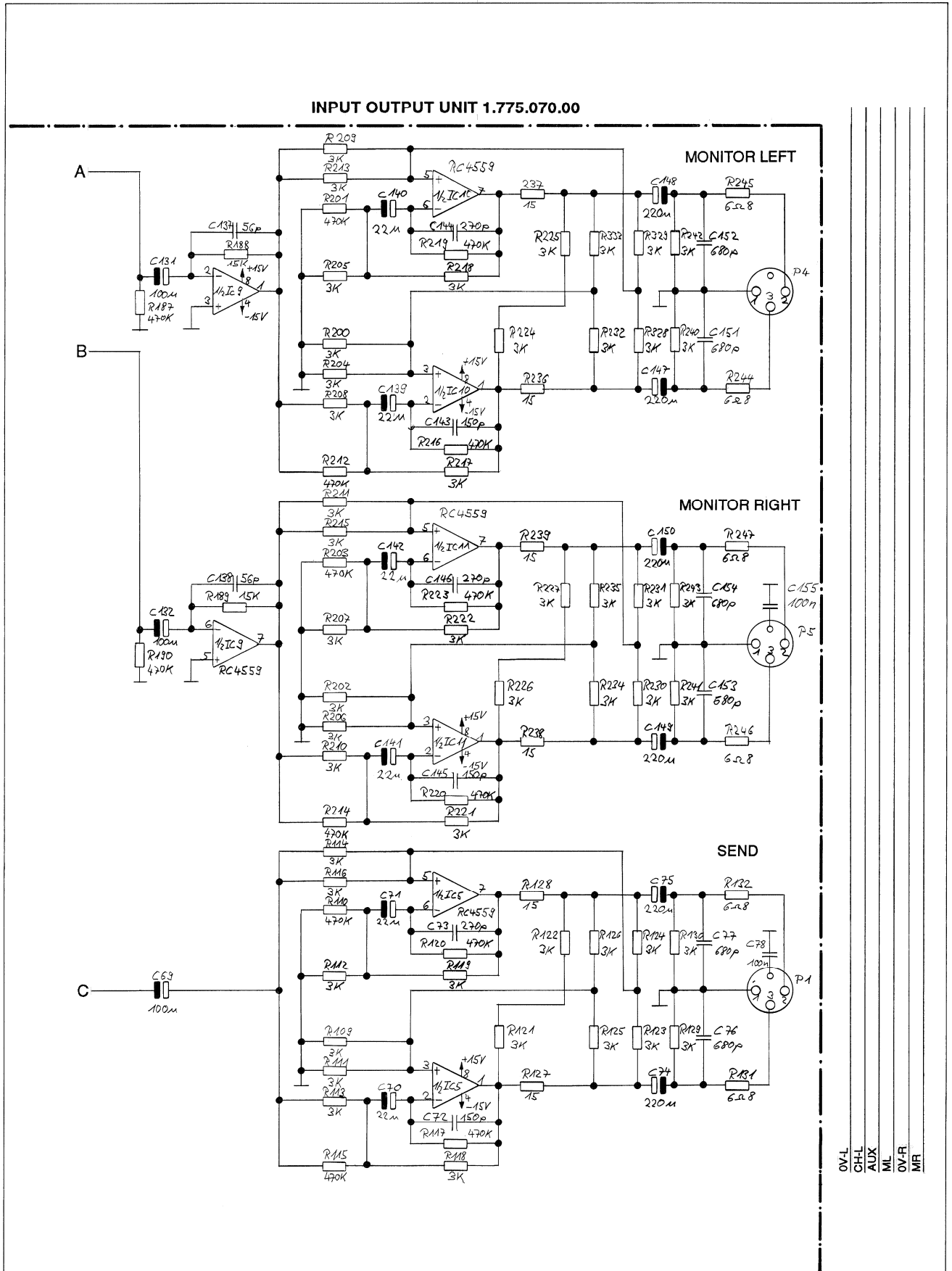


INPUT OUTPUT UNIT 1.775.070.00  
- C.R. MONITOR UNIT 1.775.470.00



Overview:

1	2	3
4	5	6

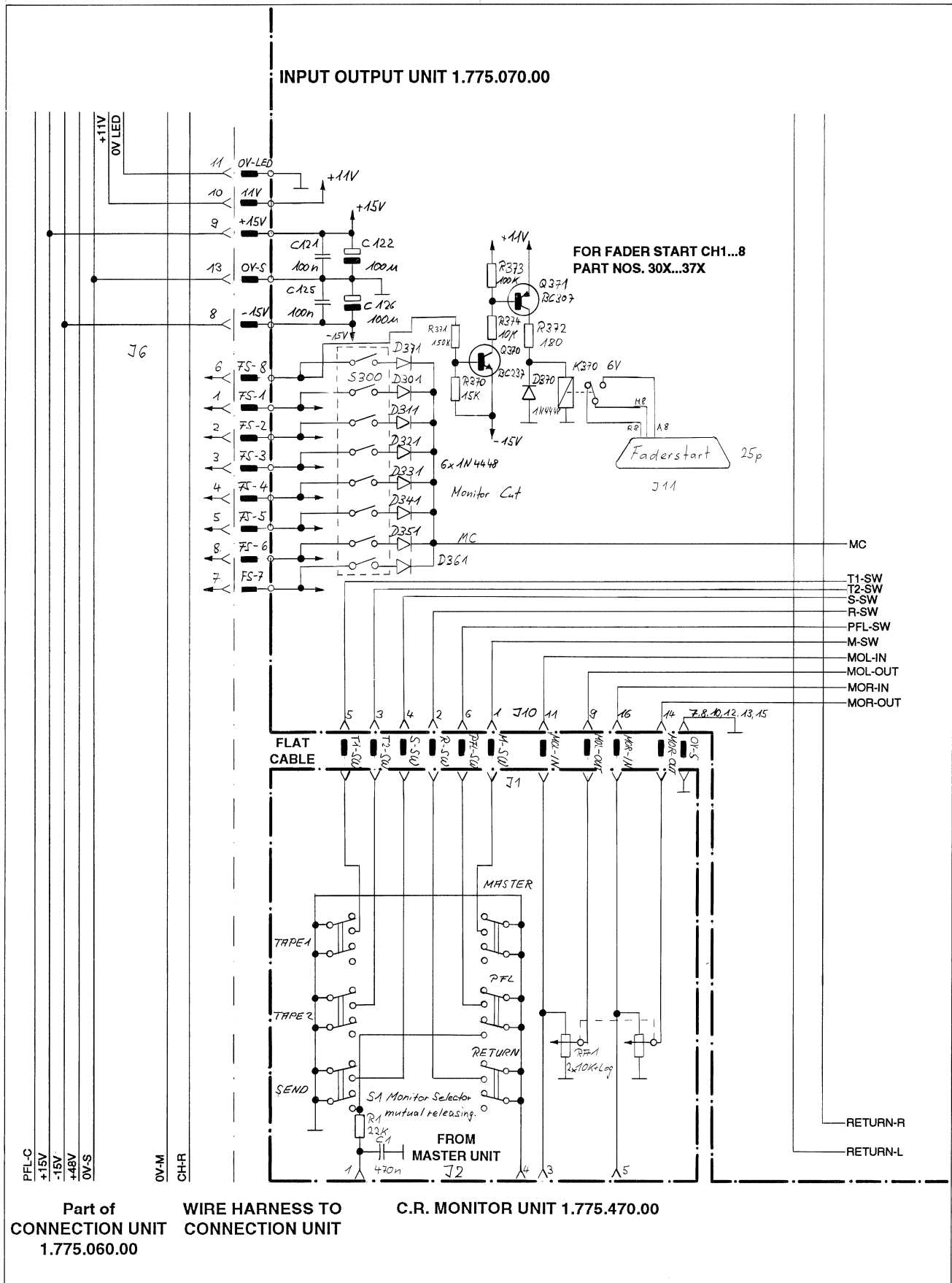


INPUT OUTPUT UNIT 1.775.070.00  
- C.R. MONITOR UNIT 1.775.470.00



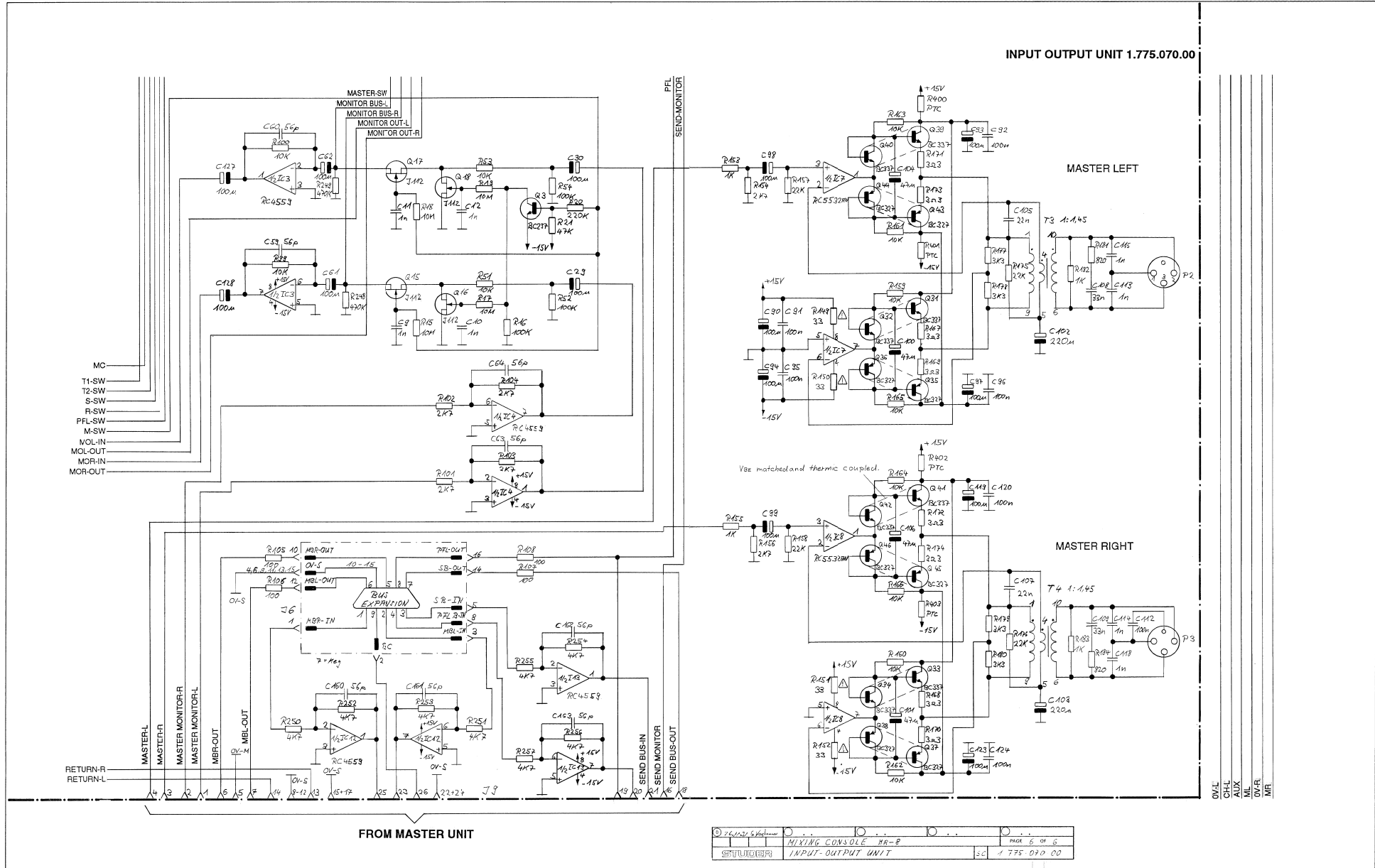
Overview:

1	2	3
4	5	6



Overview:	1	2	3
	4	5	6

INPUT OUTPUT UNIT 1.775.070.00  
- C.R. MONITOR UNIT 1.775.470.00

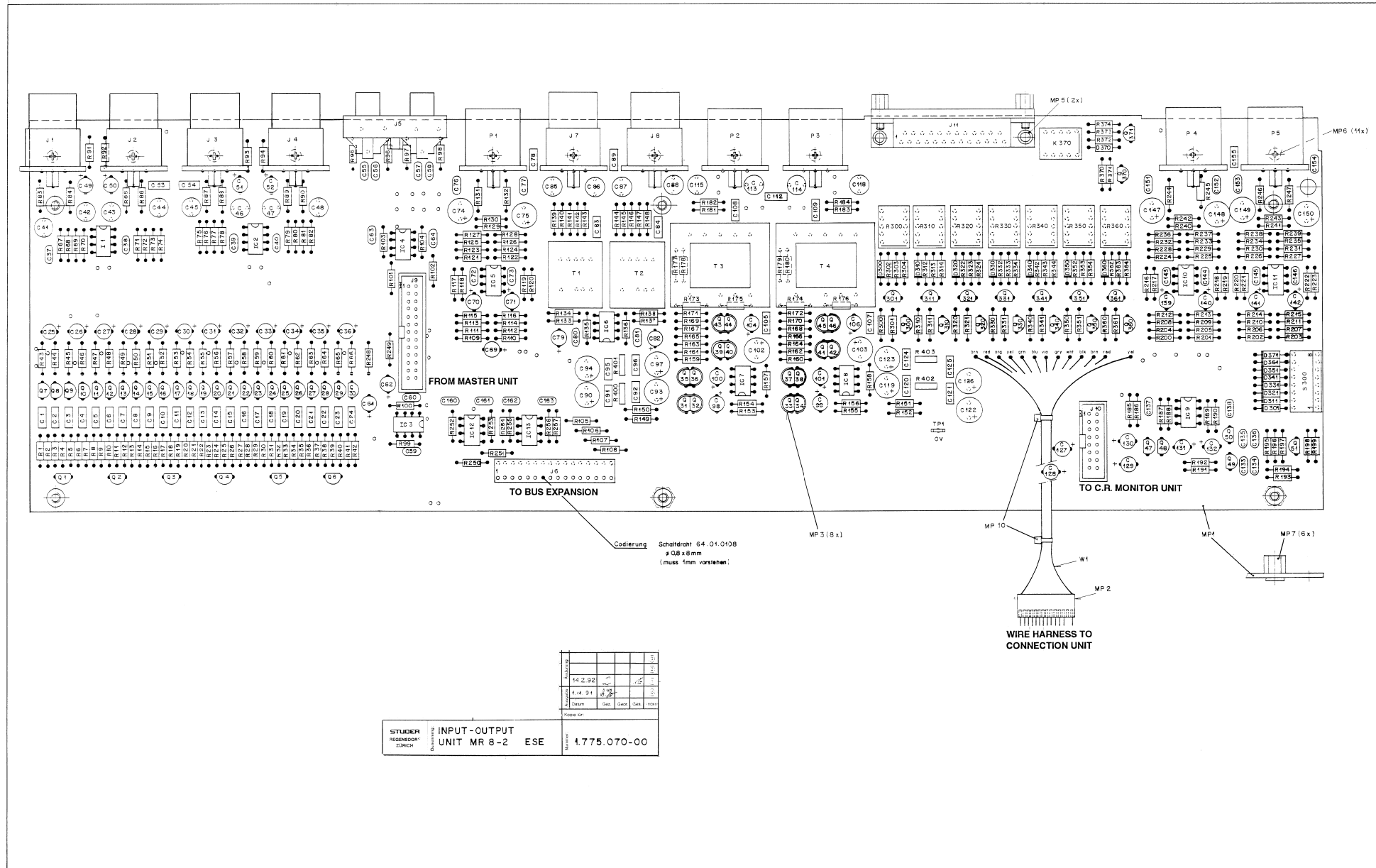


26.01.77	...	...	...
BRUNGER	MIXING CONSOLE MR-8	IC	1.775.070.00
	INPUT-OUTPUT UNIT		page 6 of 6





INPUT OUTPUT UNIT 1.775.070.00





INPUT OUTPUT UNIT 1.775.070.00

Ad	..POS..	...REF.No...	DESCRIPTION.....	MANUFACTURER	Ad	..POS..	...REF.No...	DESCRIPTION.....	MANUFACTURER
C....1	59.06.0102	1 nF	10%, 25V,	PETP	C...101	59.22.3470	47 uF	-20%, 10V,	EL
C....2	59.06.0102	1 nF	10%, 25V,	PETP	C...102	59.22.3221	220 uF	-20%, 10V,	EL
C....3	59.06.0102	1 nF	10%, 25V,	PETP	C...103	59.22.3221	220 uF	-20%, 10V,	EL
C....4	59.06.0102	1 nF	10%, 25V,	PETP	C...104	59.22.3470	47 uF	-20%, 10V,	EL
C....5	59.06.0102	1 nF	10%, 25V,	PETP	C...105	59.06.0223	22 nF	10%, 25V,	PETP
C....6	59.06.0102	1 nF	10%, 25V,	PETP	C...106	59.22.3470	47 uF	-20%, 10V,	EL
C....7	59.06.0102	1 nF	10%, 25V,	PETP	C...107	59.06.0223	22 nF	10%, 25V,	PETP
C....8	59.06.0102	1 nF	10%, 25V,	PETP	C...108	59.06.0333	33 nF	10%, 25V,	PETP
C....9	59.06.0102	1 nF	10%, 25V,	PETP	C...109	59.06.0333	33 nF	10%, 25V,	PETP
C....10	59.06.0102	1 nF	10%, 25V,	PETP					
C....11	59.06.0102	1 nF	10%, 25V,	PETP	C...112	59.06.0104	100 nF	10%, 25V,	PETP
C....12	59.06.0102	1 nF	10%, 25V,	PETP	C...113	59.05.1102	1 nF	1%, 25V,	PP
C....13	59.06.0102	1 nF	10%, 25V,	PETP	C...114	59.05.1102	1 nF	1%, 25V,	PP
C....14	59.06.0102	1 nF	10%, 25V,	PETP	C...115	59.05.1102	1 nF	1%, 25V,	PP
C....15	59.06.0102	1 nF	10%, 25V,	PETP	C...118	59.05.1102	1 nF	1%, 25V,	PP
C....16	59.06.0102	1 nF	10%, 25V,	PETP	C...119	59.22.5101	100 uF	-20%, 25V,	EL
C....17	59.06.0102	1 nF	10%, 25V,	PETP	C...120	59.06.0104	100 nF	10%, 25V,	PETP
C....18	59.06.0102	1 nF	10%, 25V,	PETP					
C....19	59.06.0102	1 nF	10%, 25V,	PETP	C...121	59.06.0104	100 nF	10%, 25V,	PETP
C....20	59.06.0102	1 nF	10%, 25V,	PETP	C...122	59.22.5101	100 uF	-20%, 25V,	EL
					C...123	59.22.5101	100 uF	-20%, 25V,	EL
C....21	59.06.0102	1 nF	10%, 25V,	PETP	C...124	59.06.0104	100 nF	10%, 25V,	PETP
C....22	59.06.0102	1 nF	10%, 25V,	PETP	C...125	59.06.0104	100 nF	10%, 25V,	PETP
C....23	59.06.0102	1 nF	10%, 25V,	PETP	C...126	59.22.5101	100 uF	-20%, 25V,	EL
C....24	59.06.0102	1 nF	10%, 25V,	PETP	C...127	59.22.3101	100 uF	-20%, 10V,	EL
C....25	59.22.3101	100 uF	-20%, 10V,	EL	C...128	59.22.3101	100 uF	-20%, 10V,	EL
C....26	59.22.3101	100 uF	-20%, 10V,	EL	C...129	59.22.3101	100 uF	-20%, 10V,	EL
C....27	59.22.3101	100 uF	-20%, 10V,	EL	C...130	59.22.3101	100 uF	-20%, 10V,	EL
C....28	59.22.3101	100 uF	-20%, 10V,	EL					
C....29	59.22.3101	100 uF	-20%, 10V,	EL	C...131	59.22.3101	100 uF	-20%, 10V,	EL
C....30	59.22.3101	100 uF	-20%, 10V,	EL	C...132	59.22.3101	100 uF	-20%, 10V,	EL
					C...133	59.34.4151	150 pF	5%, 25V,	C
C....31	59.22.3101	100 uF	-20%, 10V,	EL	C...134	59.34.4151	150 pF	5%, 25V,	C
C....32	59.22.3101	100 uF	-20%, 10V,	EL	C...135	59.34.4151	150 pF	5%, 25V,	C
C....33	59.22.3101	100 uF	-20%, 10V,	EL	C...136	59.34.4151	150 pF	5%, 25V,	C
C....34	59.22.3101	100 uF	-20%, 10V,	EL	C...137	59.34.4560	56 pF	5%, 25V,	C
C....35	59.22.3101	100 uF	-20%, 10V,	EL	C...138	59.34.4560	56 pF	5%, 25V,	C
C....36	59.22.3101	100 uF	-20%, 10V,	EL	C...139	59.22.5220	22 uF	-20%, 10V,	EL
C....37	59.34.4560	56 pF	5%, 25V,	C	C...140	59.22.5220	22 uF	-20%, 10V,	EL
C....38	59.34.4560	56 pF	5%, 25V,	C					
C....39	59.34.4560	56 pF	5%, 25V,	C	C...141	59.22.5220	22 uF	-20%, 10V,	EL
C....40	59.34.4560	56 pF	5%, 25V,	C	C...142	59.22.5220	22 uF	-20%, 10V,	EL
					C...143	59.34.4151	150 pF	5%, 25V,	C
C....41	59.05.1681	680 pF	1%, 25V,	PP	C...144	59.34.4271	270 pF	5%, 25V,	C
C....42	59.05.1681	680 pF	1%, 25V,	PP	C...145	59.34.4151	150 pF	5%, 25V,	C
C....43	59.05.1681	680 pF	1%, 25V,	PP	C...146	59.34.4271	270 pF	5%, 25V,	C
C....44	59.05.1681	680 pF	1%, 25V,	PP	C...147	59.22.3221	220 uF	-20%, 10V,	EL
C....45	59.05.1681	680 pF	1%, 25V,	PP	C...148	59.22.3221	220 uF	-20%, 10V,	EL
C....46	59.05.1681	680 pF	1%, 25V,	PP	C...149	59.22.3221	220 uF	-20%, 10V,	EL
C....47	59.05.1681	680 pF	1%, 25V,	PP	C...150	59.22.3221	220 uF	-20%, 10V,	EL
C....48	59.05.1681	680 pF	1%, 25V,	PP					
C....49	59.22.3101	100 uF	-20%, 10V,	EL	C...151	59.32.2681	680 pF	10%, 25V,	C
C....50	59.22.3101	100 uF	-20%, 10V,	EL	C...152	59.32.2681	680 pF	10%, 25V,	C
					C...153	59.32.2681	680 pF	10%, 25V,	C
C....51	59.22.3101	100 uF	-20%, 10V,	EL	C...154	59.32.2681	680 pF	10%, 25V,	C
C....52	59.22.3101	100 uF	-20%, 10V,	EL	C...155	59.06.0104	100 nF	10%, 25V,	PETP
C....53	59.06.0104	100 nF	10%, 25V,	PETP	C...160	59.34.4560	56 pF	5%, 25V,	C
C....54	59.06.0104	100 nF	10%, 25V,	PETP					
C....55	59.32.2681	680 pF	10%, 25V,	C	C...161	59.34.4560	56 pF	5%, 25V,	C
C....56	59.32.2681	680 pF	10%, 25V,	C	C...162	59.34.4560	56 pF	5%, 25V,	C
C....57	59.32.2681	680 pF	10%, 25V,	C	C...163	59.34.4560	56 pF	5%, 25V,	C
C....58	59.32.2681	680 pF	10%, 25V,	C					
C....59	59.34.4560	56 pF	5%, 25V,	C	D...300	50.04.0125	1N 4448		
C....60	59.34.4560	56 pF	5%, 25V,	C					
					D...301	50.04.0125	1N 4448		
C....61	59.22.3101	100 uF	-20%, 10V,	EL	D...310	50.04.0125	1N 4448		
C....62	59.22.3101	100 uF	-20%, 10V,	EL	D...311	50.04.0125	1N 4448		
C....63	59.34.4560	56 pF	5%, 25V,	C	D...320	50.04.0125	1N 4448		
C....64	59.34.4560	56 pF	5%, 25V,	C					
C....65	59.22.3101	100 uF	-20%, 10V,	EL	D...321	50.04.0125	1N 4448		
C....66	59.22.5220	22 uF	-20%, 10V,	EL	D...330	50.04.0125	1N 4448		
C....71	59.22.5220	22 uF	-20%, 10V,	EL	D...331	50.04.0125	1N 4448		
C....72	59.34.4151	150 pF	5%, 25V,	C	D...340	50.04.0125	1N 4448		
C....73	59.34.4271	270 pF	5%, 25V,	C					
C....74	59.22.3221	220 uF	-20%, 10V,	EL	D...341	50.04.0125	1N 4448		
C....75	59.22.3221	220 uF	-20%, 10V,	EL	D...350	50.04.0125	1N 4448		
C....76	59.32.2681	680 pF	10%, 25V,	C					
C....77	59.32.2681	680 pF	10%, 25V,	C	D...351	50.04.0125	1N 4448		
C....78	59.06.0104	100 nF	10%, 25V,	PETP	D...360	50.04.0125	1N 4448		
C....79	59.22.3101	100 uF	-20%, 10V,	EL					
C....80	59.34.5391	390 pF	5%, 25V,	C	D...361	50.04.0125	1N 4448		
					D...370	50.04.0125	1N 4448		
C....81	59.34.5391	390 pF	5%, 25V,	C					
C....82	59.22.3101	100 uF	-20%, 10V,	EL	D...371	50.04.0125	1N 4448		
C....83	59.06.5682	6.8 nF	5%, 25V,	PETP					
C....84	59.06.5682	6.8 nF	5%, 25V,	PETP	IC....1	50.09.0107	RC4559		Ra
C....85	59.05.1681	680 pF	1%, 25V,	PP	IC....2	50.09.0107	RC4559		Ra
C....86	59.05.1681	680 pF	1%, 25V,	PP	IC....3	50.09.0107	RC4559		Ra
C....87	59.05.1681	680 pF	1%, 25V,	PP	IC....4	50.09.0107	RC4559		Ra
C....88	59.05.1681	680 pF	1%, 25V,	PP	IC....5	50.09.0107	RC4559		Ra
C....89	59.06.0104	100 nF	10%, 25V,	PETP	IC....6	50.09.0107	RC4559		Ra
C....90	59.22.5101	100 uF	-20%, 25V,	EL	IC....7	50.09.0106	RC5532AN		Ra
					IC....8	50.09.0106	RC5532AN		Ra
C....91	59.06.0104	100 nF	10%, 25V,	PETP	IC....9	50.09.0107	RC4559		Ra
C....92	59.06.0104	100 nF	10%, 25V,	PETP	IC...10	50.09.0107	RC4559		Ra
C....93	59.22.5101	100 uF	-20%, 25V,	EL					
C....94	59.22.5101	100 uF	-20%, 25V,	EL	IC...11	50.09.0107	RC4559		Ra
C....95	59.06.0104	100 nF	10%, 25V,	PETP	IC...12	50.09.0107	RC4559		Ra
C....96	59.06.0104	100 nF	10%, 25V,	PETP	IC...13	50.09.0107	RC4559		Ra
C....97	59.22.5101	100 uF	-20%, 25V,	EL					
C....98	59.22.3101	100 uF	-20%, 10V,	EL	J....1	54.21.2201	XLR		
C....99	59.22.3101	100 uF	-20%, 10V,	EL	J....2	54.21.2201	XLR		
C...100	59.22.3470	47 uF	-20%, 10V,	EL	J....3	54.21.2201	XLR		
					J....4	54.21.2201	XLR		



INPUT OUTPUT UNIT 1.775.070.00

Ad	..POS..	..REF.No...	DESCRIPTION.....	MANUFACTURER	Ad	..POS..	..REF.No...	DESCRIPTION.....	MANUFACTURER
J....5	54.21.2007		4-Pole Cinch		Q...341	50.03.0515	BC 307	PNP	
J....6	54.01.0294		16-Pole CIS		Q...350	50.03.0436	BC 237	NPN	
J....7	54.21.2201		XLR		Q...351	50.03.0515	BC 307	PNP	
J....8	54.21.2201		XLR		Q...360	50.03.0436	BC 237	NPN	
J....9	54.14.2003		26-Pole Connector for Flat-Cabel		Q...361	50.03.0515	BC 307	PNP	
J....10	54.14.2002		16-Pole Connector for Flat-Cabel		Q...370	50.03.0436	BC 237	NPN	
J....11	54.99.0250		25-Pole Connector D-Typ		Q...371	50.03.0515	BC 307	PNP	
K...300	56.04.0195		6V Relay		R....1	57.11.5106	10 MOhm	10%, 0.25W, MF	
K...310	56.04.0195		6V Relay		R....2	57.11.5106	100 KOhm	1%, 0.25W, MF	
K...320	56.04.0195		6V Relay		R....3	57.11.5106	10 MOhm	10%, 0.25W, MF	
K...330	56.04.0195		6V Relay		R....4	57.11.5106	10 MOhm	10%, 0.25W, MF	
K...340	56.04.0195		6V Relay		R....5	57.11.5106	10 MOhm	10%, 0.25W, MF	
K...350	56.04.0195		6V Relay		R....6	57.11.3224	220 KOhm	1%, 0.25W, MF	
K...360	56.04.0195		6V Relay		R....7	57.11.3473	47 KOhm	1%, 0.25W, MF	
K...370	56.04.0195		6V Relay		R....8	57.11.5106	10 MOhm	10%, 0.25W, MF	
MP....1	1.775.070.11		INPUT-OUTPUT PCB		R....9	57.11.3104	100 KOhm	1%, 0.25W, MF	
MP....2	54.01.0281		13-Pole CIS		R....10	57.11.5106	10 MOhm	10%, 0.25W, MF	
MP....3	50.20.2001		8 pcs Thermo Clip		R....11	57.11.5106	10 MOhm	10%, 0.25W, MF	
MP....5	28.21.2409		2 pcs Tubular-Rivet 3.0*7.0		R....12	57.11.5106	10 MOhm	10%, 0.25W, MF	
MP....6	20.99.0103		11 pcs Screw		R....13	57.11.3224	220 KOhm	1%, 0.25W, MF	
MP....7	1.010.017.22		6 pcs Tubular-Rivet		R....14	57.11.3473	47 KOhm	1%, 0.25W, MF	
MP....8	43.01.0108		ESE Label		R....15	57.11.5106	10 MOhm	10%, 0.25W, MF	
MP....9	1.775.070.01		Nr. Label		R....16	57.11.3104	100 KOhm	1%, 0.25W, MF	
MP....10	35.03.0109		2 pcs Mounting-Belt		R....17	57.11.5106	10 MOhm	10%, 0.25W, MF	
P.....1	54.21.2200		XLR		R....18	57.11.5106	10 MOhm	10%, 0.25W, MF	
P.....2	54.21.2200		XLR		R....19	57.11.5106	10 MOhm	10%, 0.25W, MF	
P.....3	54.21.2200		XLR		R....20	57.11.3224	220 KOhm	1%, 0.25W, MF	
P.....4	54.21.2200		XLR		R....21	57.11.3473	47 KOhm	1%, 0.25W, MF	
P.....5	54.21.2200		XLR		R....22	57.11.5106	10 MOhm	10%, 0.25W, MF	
Q.....1	50.03.0436	BC237	NPN		R....23	57.11.3104	100 KOhm	1%, 0.25W, MF	
Q.....2	50.03.0436	BC237	NPN		R....24	57.11.5106	10 MOhm	10%, 0.25W, MF	
Q.....3	50.03.0436	BC237	NPN		R....25	57.11.5106	10 MOhm	10%, 0.25W, MF	
Q.....4	50.03.0436	BC237	NPN		R....26	57.11.5106	10 MOhm	10%, 0.25W, MF	
Q.....5	50.03.0436	BC237	NPN		R....27	57.11.3224	220 KOhm	1%, 0.25W, MF	
Q.....6	50.03.0436	BC237	NPN		R....28	57.11.3473	47 KOhm	1%, 0.25W, MF	
Q.....7	50.03.0350	J 112	FET	Mot	R....29	57.11.5106	10 MOhm	10%, 0.25W, MF	
Q.....8	50.03.0350	J 112	FET	Mot	R....30	57.11.3104	100 KOhm	1%, 0.25W, MF	
Q.....9	50.03.0350	J 112	FET	Mot	R....31	57.11.5106	10 MOhm	10%, 0.25W, MF	
Q.....10	50.03.0350	J 112	FET	Mot	R....32	57.11.5106	10 MOhm	10%, 0.25W, MF	
Q.....11	50.03.0350	J 112	FET	Mot	R....33	57.11.5106	10 MOhm	10%, 0.25W, MF	
Q.....12	50.03.0350	J 112	FET	Mot	R....34	57.11.3224	220 KOhm	1%, 0.25W, MF	
Q.....13	50.03.0350	J 112	FET	Mot	R....35	57.11.3473	47 KOhm	1%, 0.25W, MF	
Q.....14	50.03.0350	J 112	FET	Mot	R....36	57.11.5106	10 MOhm	10%, 0.25W, MF	
Q.....15	50.03.0350	J 112	FET	Mot	R....37	57.11.3104	100 KOhm	1%, 0.25W, MF	
Q.....16	50.03.0350	J 112	FET	Mot	R....38	57.11.5106	10 MOhm	10%, 0.25W, MF	
Q.....17	50.03.0350	J 112	FET	Mot	R....39	57.11.5106	10 MOhm	10%, 0.25W, MF	
Q.....18	50.03.0350	J 112	FET	Mot	R....40	57.11.5106	10 MOhm	10%, 0.25W, MF	
Q.....19	50.03.0350	J 112	FET	Mot	R....41	57.11.3224	220 KOhm	1%, 0.25W, MF	
Q.....20	50.03.0350	J 112	FET	Mot	R....42	57.11.3473	47 KOhm	1%, 0.25W, MF	
Q.....21	50.03.0350	J 112	FET	Mot	R....43	57.11.3103	10 KOhm	1%, 0.25W, MF	
Q.....22	50.03.0350	J 112	FET	Mot	R....44	57.11.3104	100 KOhm	1%, 0.25W, MF	
Q.....23	50.03.0350	J 112	FET	Mot	R....45	57.11.3103	10 KOhm	1%, 0.25W, MF	
Q.....24	50.03.0350	J 112	FET	Mot	R....46	57.11.3104	100 KOhm	1%, 0.25W, MF	
Q.....25	50.03.0350	J 112	FET	Mot	R....47	57.11.3103	10 KOhm	1%, 0.25W, MF	
Q.....26	50.03.0350	J 112	FET	Mot	R....48	57.11.3104	100 KOhm	1%, 0.25W, MF	
Q.....27	50.03.0350	J 112	FET	Mot	R....49	57.11.3103	10 KOhm	1%, 0.25W, MF	
Q.....28	50.03.0350	J 112	FET	Mot	R....50	57.11.3104	100 KOhm	1%, 0.25W, MF	
Q.....29	50.03.0350	J 112	FET	Mot	R....51	57.11.3103	10 KOhm	1%, 0.25W, MF	
Q.....30	50.03.0350	J 112	FET	Mot	R....52	57.11.3104	100 KOhm	1%, 0.25W, MF	
Q.....31	50.03.0516	BC337	NPN match		R....53	57.11.3103	10 KOhm	1%, 0.25W, MF	
Q.....32	50.03.0516	BC337	NPN match		R....54	57.11.3104	100 KOhm	1%, 0.25W, MF	
Q.....33	50.03.0516	BC337	NPN match		R....55	57.11.3103	10 KOhm	1%, 0.25W, MF	
Q.....34	50.03.0516	BC337	NPN match		R....56	57.11.3104	100 KOhm	1%, 0.25W, MF	
Q.....35	50.03.0625	BC327	PNP match		R....57	57.11.3103	10 KOhm	1%, 0.25W, MF	
Q.....36	50.03.0625	BC327	PNP match		R....58	57.11.3104	100 KOhm	1%, 0.25W, MF	
Q.....37	50.03.0625	BC327	PNP match		R....59	57.11.3103	10 KOhm	1%, 0.25W, MF	
Q.....38	50.03.0625	BC327	PNP match		R....60	57.11.3104	100 KOhm	1%, 0.25W, MF	
Q.....39	50.03.0516	BC337	NPN match		R....61	57.11.3103	10 KOhm	1%, 0.25W, MF	
Q.....40	50.03.0516	BC337	NPN match		R....62	57.11.3104	100 KOhm	1%, 0.25W, MF	
Q.....41	50.03.0516	BC337	NPN match		R....63	57.11.3103	10 KOhm	1%, 0.25W, MF	
Q.....42	50.03.0516	BC337	NPN match		R....64	57.11.3104	100 KOhm	1%, 0.25W, MF	
Q.....43	50.03.0625	BC327	PNP match		R....65	57.11.3103	10 KOhm	1%, 0.25W, MF	
Q.....44	50.03.0625	BC327	PNP match		R....66	57.11.3104	100 KOhm	1%, 0.25W, MF	
Q.....45	50.03.0625	BC327	PNP match		R....67	57.11.3272	2.7 KOhm	1%, 0.25W, MF	
Q.....46	50.03.0625	BC327	PNP match		R....68	57.11.3392	3.9 KOhm	1%, 0.25W, MF	
Q.....47	50.03.0350	J 112	FET	Mot	R....69	57.11.3392	3.9 KOhm	1%, 0.25W, MF	
Q.....48	50.03.0350	J 112	FET	Mot	R....70	57.11.3272	2.7 KOhm	1%, 0.25W, MF	
Q.....49	50.03.0350	J 112	FET	Mot	R....71	57.11.3272	2.7 KOhm	1%, 0.25W, MF	
Q.....50	50.03.0350	J 112	FET	Mot	R....72	57.11.3392	3.9 KOhm	1%, 0.25W, MF	
Q....51	50.03.0436	BC 237	NPN		R....73	57.11.3392	3.9 KOhm	1%, 0.25W, MF	
Q...300	50.03.0436	BC 237	NPN		R....74	57.11.3272	2.7 KOhm	1%, 0.25W, MF	
Q...301	50.03.0515	BC 307	PNP		R....75	57.11.3272	2.7 KOhm	1%, 0.25W, MF	
Q...310	50.03.0436	BC 237	NPN		R....76	57.11.3392	3.9 KOhm	1%, 0.25W, MF	
Q...311	50.03.0515	BC 307	PNP		R....77	57.11.3392	3.9 KOhm	1%, 0.25W, MF	
Q...320	50.03.0436	BC 237	NPN		R....78	57.11.3272	2.7 KOhm	1%, 0.25W, MF	
Q...321	50.03.0515	BC 307	PNP		R....79	57.11.3272	2.7 KOhm	1%, 0.25W, MF	
Q...330	50.03.0436	BC 237	NPN		R....80	57.11.3392	3.9 KOhm	1%, 0.25W, MF	
Q...331	50.03.0515	BC 307	PNP		R....81	57.11.3392	3.9 KOhm	1%, 0.25W, MF	
Q...340	50.03.0436	BC 237	NPN		R....82	57.11.3272	2.7 KOhm	1%, 0.25W, MF	
					R....83	57.11.3152	1.5 KOhm	1%, 0.25W, MF	
					R....84	57.11.3152	1.5 KOhm	1%, 0.25W, MF	
					R....85	57.11.3152	1.5 KOhm	1%, 0.25W, MF	
					R....86	57.11.3152	1.5 KOhm	1%, 0.25W, MF	
					R....87	57.11.3152	1.5 KOhm	1%, 0.25W, MF	





INPUT OUTPUT UNIT 1.775.070.00

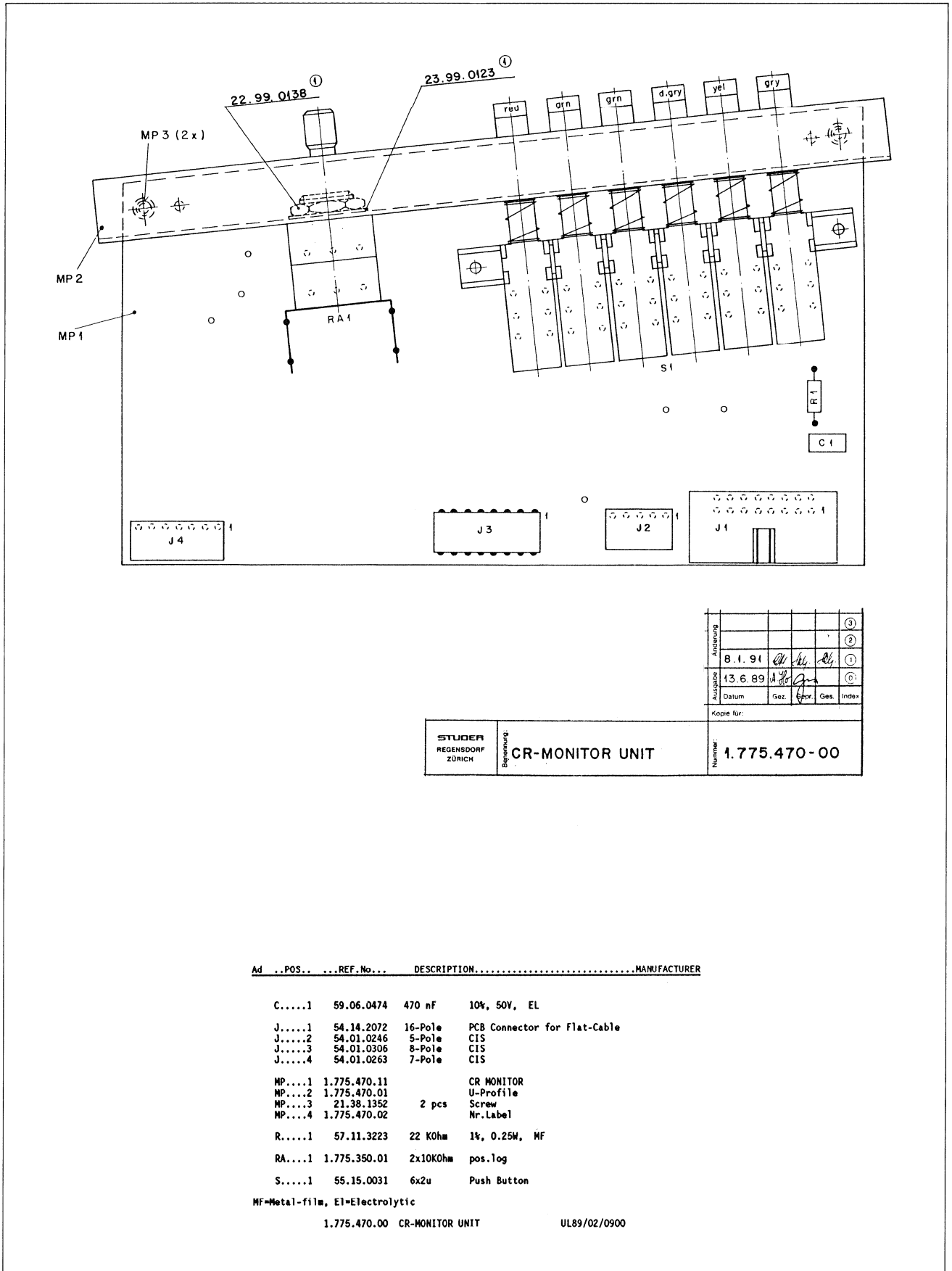
Ad	..POS..	...REF.No...	DESCRIPTION.....	MANUFACTURER
R...	340	57.11.3153	15 KOhm 1%, 0.25W, MF	
R...	341	57.11.3154	150 KOhm 1%, 0.25W, MF	
R...	342	57.11.3181	180 Ohm 1%, 0.25W, MF	
R...	343	57.11.3103	10 KOhm 1%, 0.25W, MF	
R...	344	57.11.3103	10 KOhm 1%, 0.25W, MF	
R...	350	57.11.3153	15 KOhm 1%, 0.25W, MF	
R...	351	57.11.3154	150 KOhm 1%, 0.25W, MF	
R...	352	57.11.3181	180 Ohm 1%, 0.25W, MF	
R...	353	57.11.3103	10 KOhm 1%, 0.25W, MF	
R...	354	57.11.3103	10 KOhm 1%, 0.25W, MF	
R...	360	57.11.3153	15 KOhm 1%, 0.25W, MF	
R...	361	57.11.3154	150 KOhm 1%, 0.25W, MF	
R...	362	57.11.3181	180 Ohm 1%, 0.25W, MF	
R...	363	57.11.3103	10 KOhm 1%, 0.25W, MF	
R...	364	57.11.3103	10 KOhm 1%, 0.25W, MF	
R...	370	57.11.3153	15 KOhm 1%, 0.25W, MF	
R...	371	57.11.3154	150 KOhm 1%, 0.25W, MF	
R...	372	57.11.3181	180 Ohm 1%, 0.25W, MF	
R...	373	57.11.3103	10 KOhm 1%, 0.25W, MF	
R...	374	57.11.3103	10 KOhm 1%, 0.25W, MF	
R...	400	57.92.1121	22 Ohm PTC 56V	
R...	401	57.92.1121	22 Ohm PTC 56V	
R...	402	57.92.1121	22 Ohm PTC 56V	
R...	403	57.92.1121	22 Ohm PTC 56V	
S...	300	55.12.1108	8x on/off Switch	
T....	1	1.022.451.00	Input-Transformer 1:0,62	ST
T....	2	1.022.451.00	Input-Transformer 1:0,62	ST
T....	3	1.022.362.00	Output-Transformer 1:1,45	ST
T....	4	1.022.362.00	Output-Transformer 1:1,45	ST
TP....	1	54.02.0320	Flatpin 2.8*0.8, male	
W.....	1	1.775.070.93	Wire List	

MF=Metal-film, El=Electrolytic, Cer=Ceramic, PETP=Polyester, PP=Polypropylen

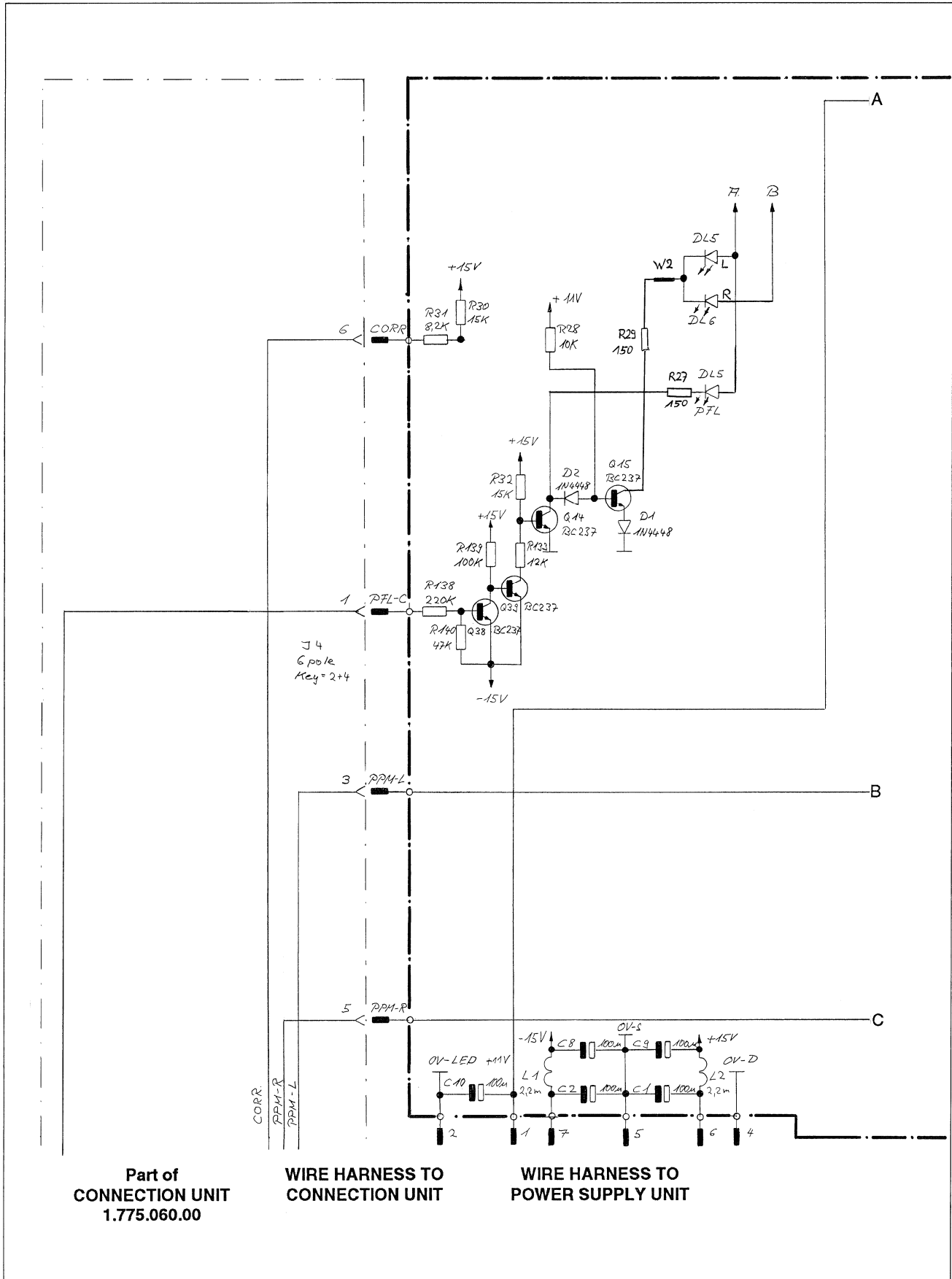
MANUFACTURER: Mot=Motorola, Ra=Raytheon, ST=Studer

1.775.070.00 IN/OUTPUT UNIT KG 92/01/2200

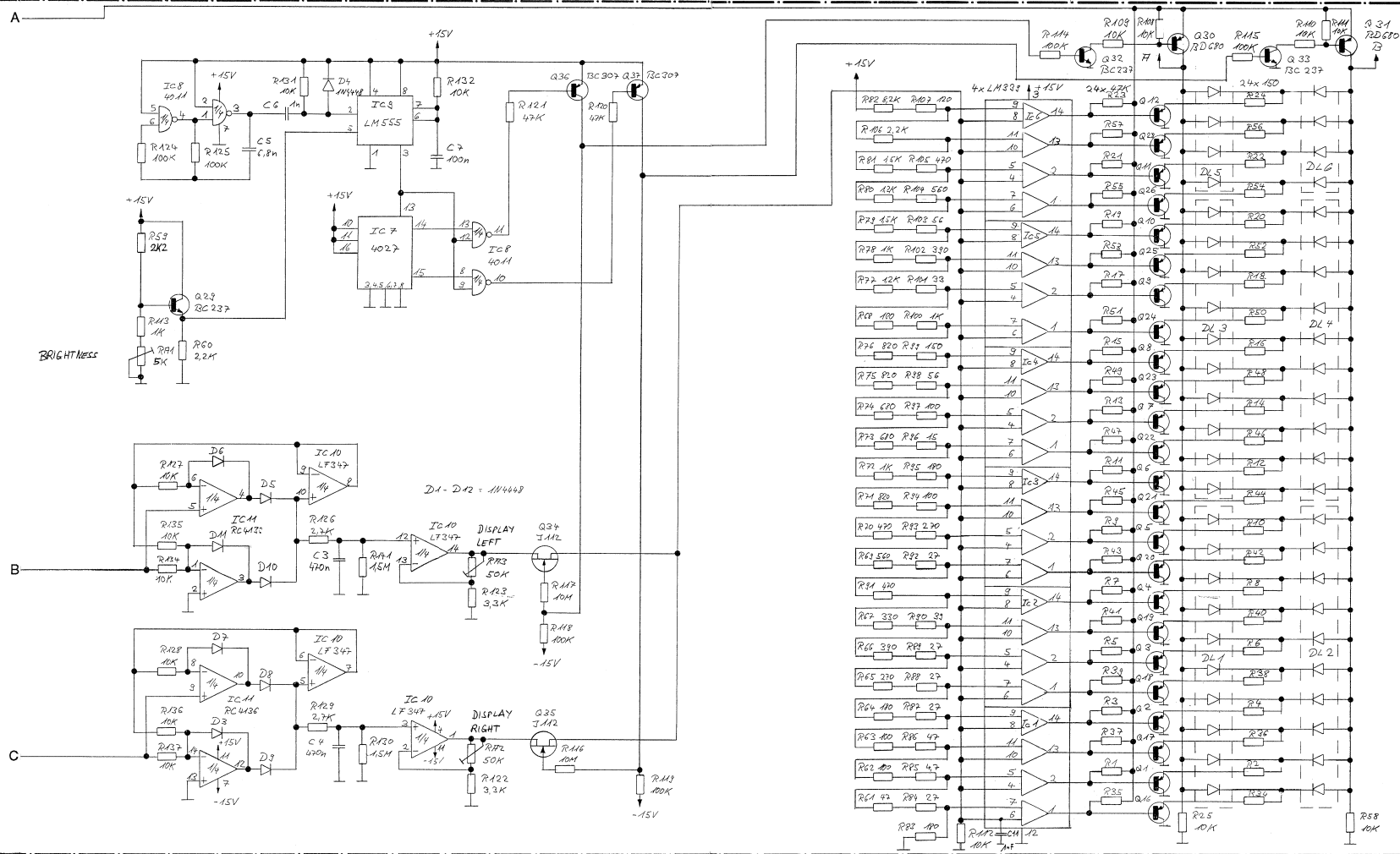
C.R. MONITOR UNIT 1.775.470.00



DISPLAY UNIT 1.775.311.00



DISPLAY UNIT 1.775.311.00



1.775.311.00	NIXIE CONSOLE MR-8	PAGE 3 OF 3
STUDER	DISPLAY UNIT	SC 1.775.311.00





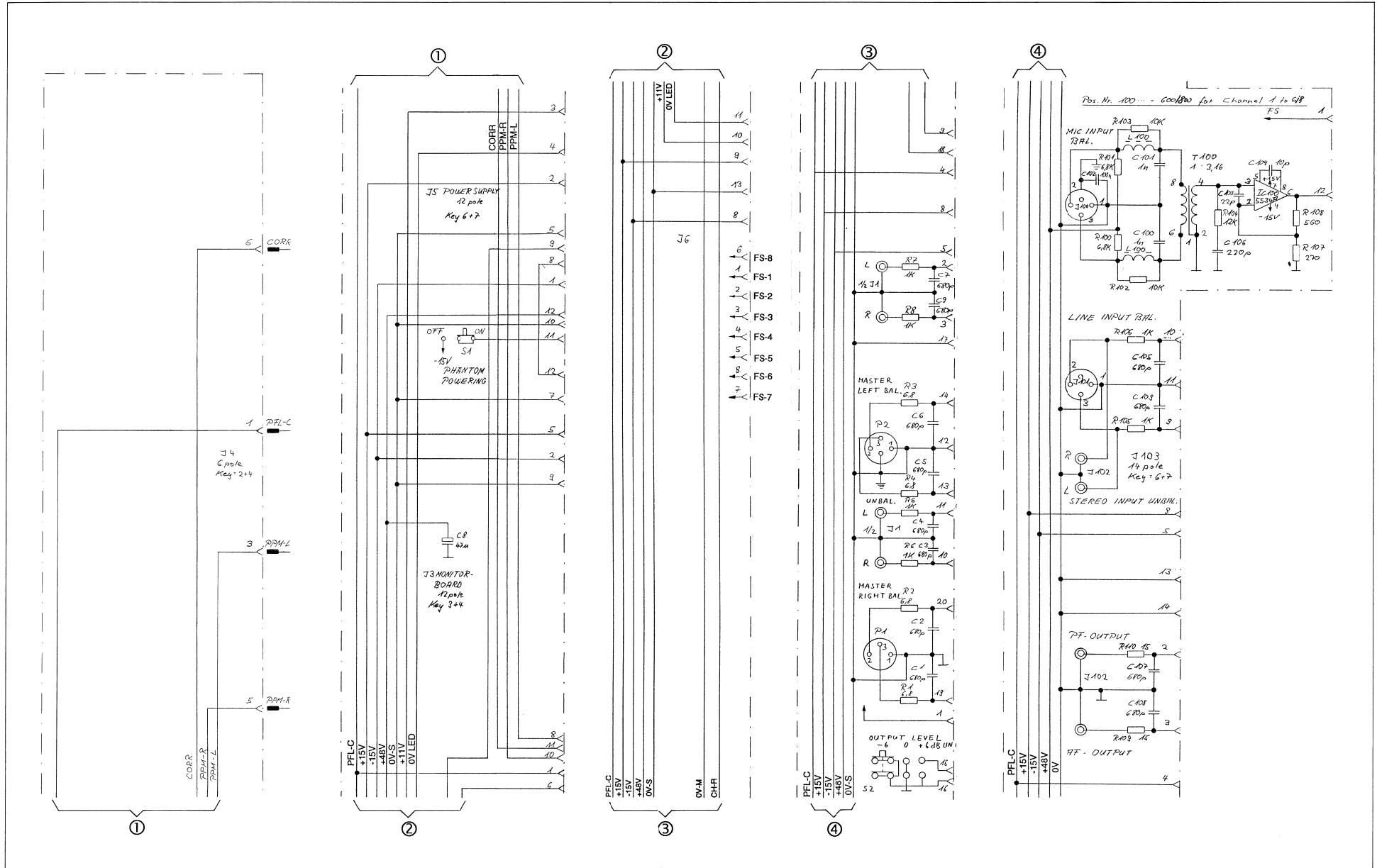


DISPLAY UNIT 1.775.311.00

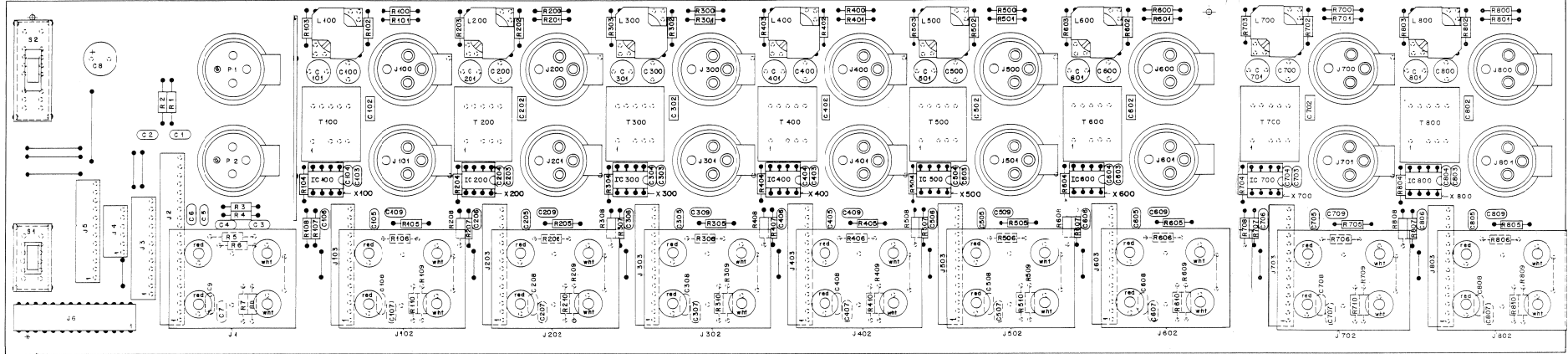
Ad	..POS..	..REF.No..	DESCRIPTION.....	MANUFACTURER	Ad	..POS..	..REF.No..	DESCRIPTION.....	MANUFACTURER
R....11	57.11.4473	47	KOhm	2%, 0.25W, MF	R...109	57.11.4103	10	KOhm	2%, 0.25W, MF
R....12	57.11.4151	150	Ohm	2%, 0.25W, MF	R...110	57.11.4103	10	KOhm	2%, 0.25W, MF
R....13	57.11.4473	47	KOhm	2%, 0.25W, MF	R...111	57.11.4103	10	KOhm	2%, 0.25W, MF
R....14	57.11.4151	150	Ohm	2%, 0.25W, MF	R...112	57.11.4103	10	KOhm	2%, 0.25W, MF
R....15	57.11.4473	47	KOhm	2%, 0.25W, MF	R...113	57.11.4102	1	KOhm	2%, 0.25W, MF
R....16	57.11.4151	150	Ohm	2%, 0.25W, MF	R...114	57.11.4104	100	KOhm	2%, 0.25W, MF
R....17	57.11.4473	47	KOhm	2%, 0.25W, MF	R...115	57.11.4104	100	KOhm	2%, 0.25W, MF
R....18	57.11.4151	150	Ohm	2%, 0.25W, MF	R...116	57.11.5106	10	MOhm	2%, 0.25W, MF
R....19	57.11.4473	47	KOhm	2%, 0.25W, MF	R...117	57.11.5106	10	MOhm	2%, 0.25W, MF
R....20	57.11.4151	150	Ohm	2%, 0.25W, MF	R...118	57.11.4104	100	KOhm	2%, 0.25W, MF
R....21	57.11.4473	47	KOhm	2%, 0.25W, MF	R...119	57.11.4104	100	KOhm	2%, 0.25W, MF
R....22	57.11.4151	150	Ohm	2%, 0.25W, MF	R...120	57.11.4473	47	KOhm	2%, 0.25W, MF
R....23	57.11.4473	47	KOhm	2%, 0.25W, MF	R...121	57.11.4473	47	KOhm	2%, 0.25W, MF
R....24	57.11.4151	150	Ohm	2%, 0.25W, MF	R...122	57.11.4332	3.3	KOhm	2%, 0.25W, MF
R....25	57.11.4103	10	KOhm	2%, 0.25W, MF	R...123	57.11.4332	3.3	KOhm	2%, 0.25W, MF
R....27	57.11.4151	150	Ohm	2%, 0.25W, MF	R...124	57.11.4104	100	KOhm	2%, 0.25W, MF
R....28	57.11.4103	10	KOhm	2%, 0.25W, MF	R...125	57.11.4104	100	KOhm	2%, 0.25W, MF
R....29	57.11.4151	150	Ohm	2%, 0.25W, MF	R...126	57.11.4272	2.7	KOhm	2%, 0.25W, MF
R....30	57.11.4153	15	KOhm	2%, 0.25W, MF	R...127	57.11.4103	10	KOhm	2%, 0.25W, MF
R....31	57.11.4822	8.2	KOhm	2%, 0.25W, MF	R...128	57.11.4103	10	KOhm	2%, 0.25W, MF
R....32	57.11.4153	15	KOhm	2%, 0.25W, MF	R...129	57.11.4272	2.7	KOhm	2%, 0.25W, MF
R....34	57.11.4151	150	Ohm	2%, 0.25W, MF	R...130	57.11.5155	1.5	MOhm	5%, 0.25W, MF
R....35	57.11.4473	47	KOhm	2%, 0.25W, MF	R...131	57.11.4103	10	KOhm	2%, 0.25W, MF
R....36	57.11.4151	150	Ohm	2%, 0.25W, MF	R...132	57.11.4103	10	KOhm	2%, 0.25W, MF
R....37	57.11.4473	47	KOhm	2%, 0.25W, MF	R...133	57.11.4123	12	KOhm	2%, 0.25W, MF
R....38	57.11.4151	150	Ohm	2%, 0.25W, MF	R...134	57.11.4103	10	KOhm	2%, 0.25W, MF
R....39	57.11.4473	47	KOhm	2%, 0.25W, MF	R...135	57.11.4103	10	KOhm	2%, 0.25W, MF
R....40	57.11.4151	150	Ohm	2%, 0.25W, MF	R...136	57.11.4103	10	KOhm	2%, 0.25W, MF
R....41	57.11.4473	47	KOhm	2%, 0.25W, MF	R...137	57.11.4103	10	KOhm	2%, 0.25W, MF
R....42	57.11.4151	150	Ohm	2%, 0.25W, MF	R...138	57.11.4224	220	KOhm	2%, 0.25W, MF
R....43	57.11.4473	47	KOhm	2%, 0.25W, MF	R...139	57.11.4104	100	KOhm	2%, 0.25W, MF
R....44	57.11.4151	150	Ohm	2%, 0.25W, MF	R...140	57.11.4473	47	KOhm	2%, 0.25W, MF
R....45	57.11.4473	47	KOhm	2%, 0.25W, MF	R...141	57.11.5155	1.5	MOhm	5%, 0.25W, MF
R....46	57.11.4151	150	Ohm	2%, 0.25W, MF	RA....1	58.01.8502	5	KOhm	-10%, 0.50W, C
R....47	57.11.4473	47	KOhm	2%, 0.25W, MF	RA....2	58.01.8503	50	KOhm	-10%, 0.50W, C
R....48	57.11.4151	150	Ohm	2%, 0.25W, MF	RA....3	58.01.8503	50	KOhm	-10%, 0.50W, C
R....49	57.11.4473	47	KOhm	2%, 0.25W, MF	W.....1	1.775.310.93		Wire List	
R....50	57.11.4151	150	Ohm	2%, 0.25W, MF	W.....2	64.01.0106	10.60MM	0.60MM WIRE BRIDGE	
R....51	57.11.4473	47	KOhm	2%, 0.25W, MF				EL=Electrolytic, C=Ceramic, PETP=Polyester	
R....52	57.11.4151	150	Ohm	2%, 0.25W, MF				MF=Metal Film	
R....53	57.11.4473	47	KOhm	2%, 0.25W, MF				MANUFACTURER: M=Motorola, NS=National Semiconductor	
R....54	57.11.4151	150	Ohm	2%, 0.25W, MF				TI=Texas Instruments	
R....55	57.11.4473	47	KOhm	2%, 0.25W, MF				1.775.311.00 DISPLAY UNIT	"ESE" KG 92/01/2200
R....56	57.11.4151	150	Ohm	2%, 0.25W, MF					
R....57	57.11.4473	47	KOhm	2%, 0.25W, MF					
R....58	57.11.4103	10	KOhm	2%, 0.25W, MF					
R....59	57.11.4222	2.2	KOhm	2%, 0.25W, MF					
R....60	57.11.4222	2.2	KOhm	2%, 0.25W, MF					
R....61	57.11.4470	47	Ohm	2%, 0.25W, MF					
R....62	57.11.4101	100	Ohm	2%, 0.25W, MF					
R....63	57.11.4101	100	Ohm	2%, 0.25W, MF					
R....64	57.11.4181	180	Ohm	2%, 0.25W, MF					
R....65	57.11.4271	270	Ohm	2%, 0.25W, MF					
R....66	57.11.4391	390	Ohm	2%, 0.25W, MF					
R....67	57.11.4331	330	Ohm	2%, 0.25W, MF					
R....68	57.11.4101	100	Ohm	2%, 0.25W, MF					
R....69	57.11.4561	560	Ohm	2%, 0.25W, MF					
R....70	57.11.4471	470	Ohm	2%, 0.25W, MF					
R....71	57.11.4821	820	Ohm	2%, 0.25W, MF					
R....72	57.11.4102	1	kOhm	2%, 0.25W, MF					
R....73	57.11.4681	680	Ohm	2%, 0.25W, MF					
R....74	57.11.4681	680	Ohm	2%, 0.25W, MF					
R....75	57.11.4821	820	Ohm	2%, 0.25W, MF					
R....76	57.11.4821	820	Ohm	2%, 0.25W, MF					
R....77	57.11.4122	1.2	KOhm	2%, 0.25W, MF					
R....78	57.11.4102	1	KOhm	2%, 0.25W, MF					
R....79	57.11.4152	1.5	KOhm	2%, 0.25W, MF					
R....80	57.11.4122	1.2	KOhm	2%, 0.25W, MF					
R....81	57.11.4152	1.5	KOhm	2%, 0.25W, MF					
R....82	57.11.4822	8.2	KOhm	2%, 0.25W, MF					
R....83	57.11.4181	180	Ohm	2%, 0.25W, MF					
R....84	57.11.4270	27	Ohm	2%, 0.25W, MF					
R....85	57.11.4479	4.7	Ohm	2%, 0.25W, MF					
R....86	57.11.4470	47	Ohm	2%, 0.25W, MF					
R....87	57.11.4270	27	Ohm	2%, 0.25W, MF					
R....88	57.11.4270	27	Ohm	2%, 0.25W, MF					
R....89	57.11.4270	27	Ohm	2%, 0.25W, MF					
R....90	57.11.4390	39	Ohm	2%, 0.25W, MF					
R....91	57.11.4471	470	Ohm	2%, 0.25W, MF					
R....92	57.11.4270	27	Ohm	2%, 0.25W, MF					
R....93	57.11.4271	270	Ohm	2%, 0.25W, MF					
R....94	57.11.4101	100	Ohm	2%, 0.25W, MF					
R....95	57.11.4181	180	Ohm	2%, 0.25W, MF					
R....96	57.11.4150	15	Ohm	2%, 0.25W, MF					
R....97	57.11.4101	100	Ohm	2%, 0.25W, MF					
R....98	57.11.4560	56	Ohm	2%, 0.25W, MF					
R....99	57.11.4151	150	Ohm	2%, 0.25W, MF					
R...100	57.11.4102	1	KOhm	2%, 0.25W, MF					
R...101	57.11.4330	33	Ohm	2%, 0.25W, MF					
R...102	57.11.4391	390	Ohm	2%, 0.25W, MF					
R...103	57.11.4560	56	Ohm	2%, 0.25W, MF					
R...104	57.11.4561	560	Ohm	2%, 0.25W, MF					
R...105	57.11.4471	470	Ohm	2%, 0.25W, MF					
R...106	57.11.4222	2.2	KOhm	2%, 0.25W, MF					
R...107	57.11.4121	120	Ohm	2%, 0.25W, MF					
R...108	57.11.4103	10	KOhm	2%, 0.25W, MF					



CONNECTION UNIT 1.775.060.00



CONNECTION UNIT 1.775.060.00



+ Codierung: Schmelzdraht 64-01-0108 #0.8 x 8mm  
(muss 1mm vorstehen)


STUDER	CONNECTION UNIT ESE	1.775.060-00
REGENSCHOPF		
STURCH		

Ad	..POS.	..REF.No...	DESCRIPTION	MANUFACTURER
C....1	59.32.2681	680 pF	10%, 25V, C	
C....2	59.32.2681	680 pF	10%, 25V, C	
C....3	59.32.2681	680 pF	10%, 25V, C	
C....4	59.32.2681	680 pF	10%, 25V, C	
C....5	59.32.2681	680 pF	10%, 25V, C	
C....6	59.32.2681	680 pF	10%, 25V, C	
C....7	59.32.2681	680 pF	10%, 25V, C	
C....8	59.22.8470	47 uF	-20%, 63V, EL	
C....9	59.32.2681	680 pF	10%, 25V, C	
C...100	59.05.1102	1 nF	1%, 25V, PP	
C...101	59.05.1102	1 nF	1%, 25V, PP	
C...102	59.06.0104	100 nF	10%, 25V, PETP	
C...103	59.34.2220	22 pF	10%, 25V, C	
C...104	59.34.1100	10 pF	10%, 25V, C	
C...105	59.32.2681	680 pF	10%, 25V, C	
C...106	59.34.4221	220 pF	10%, 25V, C	
C...107	59.32.2681	680 pF	10%, 25V, C	
C...108	59.32.2681	680 pF	10%, 25V, C	
C...109	59.32.2681	680 pF	10%, 25V, C	
C...200	59.05.1102	1 nF	1%, 25V, PP	
C...201	59.05.1102	1 nF	1%, 25V, PP	
C...202	59.06.0104	100 nF	10%, 25V, PETP	
C...203	59.34.2220	22 pF	10%, 25V, C	
C...204	59.34.1100	10 pF	10%, 25V, C	
C...205	59.32.2681	680 pF	10%, 25V, C	
C...206	59.34.4221	220 pF	10%, 25V, C	
C...207	59.32.2681	680 pF	10%, 25V, C	
C...208	59.32.2681	680 pF	10%, 25V, C	
C...209	59.32.2681	680 pF	10%, 25V, C	
C...300	59.05.1102	1 nF	1%, 25V, PP	
C...301	59.05.1102	1 nF	1%, 25V, PP	
C...302	59.06.0104	100 nF	10%, 25V, PETP	
C...303	59.34.2220	22 pF	10%, 25V, C	
C...304	59.34.1100	10 pF	10%, 25V, C	
C...305	59.32.2681	680 pF	10%, 25V, C	
C...306	59.34.4221	220 pF	10%, 25V, C	
C...307	59.32.2681	680 pF	10%, 25V, C	
C...308	59.32.2681	680 pF	10%, 25V, C	
C...309	59.32.2681	680 pF	10%, 25V, C	

Ad	..POS.	..REF.No...	DESCRIPTION	MANUFACTURER
C...400	59.05.1102	1 nF	1%, 25V, PP	
C...401	59.05.1102	1 nF	1%, 25V, PP	
C...402	59.06.0104	100 nF	10%, 25V, PETP	
C...403	59.34.2220	22 pF	10%, 25V, C	
C...404	59.34.1100	10 pF	10%, 25V, C	
C...405	59.32.2681	680 pF	10%, 25V, C	
C...406	59.34.4221	220 pF	10%, 25V, C	
C...407	59.32.2681	680 pF	10%, 25V, C	
C...408	59.32.2681	680 pF	10%, 25V, C	
C...409	59.32.2681	680 pF	10%, 25V, C	
C...500	59.05.1102	1 nF	1%, 25V, PP	
C...501	59.05.1102	1 nF	1%, 25V, PP	
C...502	59.06.0104	100 nF	10%, 25V, PETP	
C...503	59.34.2220	22 pF	10%, 25V, C	
C...504	59.34.1100	10 pF	10%, 25V, C	
C...505	59.32.2681	680 pF	10%, 25V, C	
C...506	59.34.4221	220 pF	10%, 25V, C	
C...507	59.32.2681	680 pF	10%, 25V, C	
C...508	59.32.2681	680 pF	10%, 25V, C	
C...509	59.32.2681	680 pF	10%, 25V, C	
C...600	59.05.1102	1 nF	1%, 25V, PP	
C...601	59.05.1102	1 nF	1%, 25V, PP	
C...602	59.06.0104	100 nF	10%, 25V, PETP	
C...603	59.34.2220	22 pF	10%, 25V, C	
C...604	59.34.1100	10 pF	10%, 25V, C	
C...605	59.32.2681	680 pF	10%, 25V, C	
C...606	59.34.4221	220 pF	10%, 25V, C	
C...607	59.32.2681	680 pF	10%, 25V, C	
C...608	59.32.2681	680 pF	10%, 25V, C	
C...609	59.32.2681	680 pF	10%, 25V, C	
C...700	59.05.1102	1 nF	1%, 25V, PP	
C...701	59.05.1102	1 nF	1%, 25V, PP	
C...702	59.06.0104	100 nF	10%, 25V, PETP	
C...703	59.34.2220	22 pF	10%, 25V, C	
C...704	59.34.1100	10 pF	10%, 25V, C	
C...705	59.32.2681	680 pF	10%, 25V, C	
C...706	59.34.4221	220 pF	10%, 25V, C	
C...707	59.32.2681	680 pF	10%, 25V, C	

Ad	..POS.	..REF.No...	DESCRIPTION	MANUFACTURER
C...708	59.32.2681	680 pF	10%, 25V, C	
C...709	59.32.2681	680 pF	10%, 25V, C	
C...800	59.05.1102	1 nF	1%, 25V, PP	
C...801	59.05.1102	1 nF	1%, 25V, PP	
C...802	59.06.0104	100 nF	10%, 25V, PETP	
C...803	59.34.2220	22 pF	10%, 25V, C	
C...804	59.34.1100	10 pF	10%, 25V, C	
C...805	59.32.2681	680 pF	10%, 25V, C	
C...806	59.34.4221	220 pF	10%, 25V, C	
C...807	59.32.2681	680 pF	10%, 25V, C	
C...808	59.32.2681	680 pF	10%, 25V, C	
C...809	59.32.2681	680 pF	10%, 25V, C	
IC...100	50.05.0244	NE5534A		Stg
IC...200	50.05.0244	NE5534A		Stg
IC...300	50.05.0244	NE5534A		Stg
IC...400	50.05.0244	NE5534A		Stg
IC...500	50.05.0244	NE5534A		Stg
IC...600	50.05.0244	NE5534A		Stg
IC...700	50.05.0244	NE5534A		Stg
IC...800	50.05.0244	NE5534A		Stg
J...100	54.21.1020	4-Pole	Pin Jacks	
J...101	54.01.0237	20-Pole	CIS	
J...102	54.01.0235	12-Pole	CIS	
J...103	54.01.0238	6-Pole	CIS	
J...104	54.01.0236	12-Pole	CIS	
J...105	54.01.0310	14-Pole	CIS	
J...100	54.21.2002	XLR		
J...101	54.21.2002	XLR		
J...102	54.21.1020	4-Pole	Pin Jacks	
J...103	54.01.0300	14-Pole	CIS	
J...200	54.21.2002	XLR		
J...201	54.21.2002	XLR		
J...202	54.21.1020	4-Pole	Pin Jacks	
J...203	54.01.0300	14-Pole	CIS	
J...300	54.21.2002	XLR		

Ad	..POS.	..REF.No...	DESCRIPTION	MANUFACTURER
J...301	54.21.2002	XLR		
J...302	54.21.1020	4-Pole	Pin Jacks	
J...303	54.01.0300	14-Pole	CIS	
J...400	54.21.2002	XLR		
J...401	54.21.2002	XLR		
J...402	54.21.1020	4-Pole	Pin Jacks	
J...403	54.01.0300	14-Pole	CIS	
J...500	54.21.2002	XLR		
J...501	54.21.2002	XLR		
J...502	54.21.1020	4-Pole	Pin Jacks	
J...503	54.01.0300	14-Pole	CIS	
J...600	54.21.2002	XLR		
J...601	54.21.2002	XLR		
J...602	54.21.1020	4-Pole	Pin Jacks	
J...603	54.01.0300	14-Pole	CIS	
J...700	54.21.2002	XLR		
J...701	54.21.2002	XLR		
J...702	54.21.1020	4-Pole	Pin Jacks	
J...703	54.01.0300	14-Pole	CIS	
J...800	54.21.2002	XLR		
J...801	54.21.2002	XLR		
J...802	54.21.1020	4-Pole	Pin Jacks	
J...803	54.01.0300	14-Pole	CIS	
L...100	1.022.207.00			St
L...200	1.022.207.00			St
L...300	1.022.207.00			St
L...400	1.022.207.00			St
L...500	1.022.207.00			St
L...600	1.022.207.00			St
L...700	1.022.207.00			St
L...800	1.022.207.00			St



CONNECTION UNIT 1.775.060.00

Ad	..POS..	..REF.No...	DESCRIPTION.....	MANUFACTURER	Ad	..POS..	..REF.No...	DESCRIPTION.....	MANUFACTURER
MP...	1	1.775.060.11	Connection Unit PCB		R...800	57.99.0250	6.8 KOhm	0.1%, 0.25W, MF	
MP...	2	1.775.320.01	Screening		R...801	57.99.0250	6.8 KOhm	0.1%, 0.25W, MF	
MP...	3	1.775.060.01	Nr. Label		R...802	57.11.3103	10 KOhm	1%, 0.25W, MF	
MP...	4	43.01.0108	ESE Label		R...803	57.11.3103	10 KOhm	1%, 0.25W, MF	
P....1	54.21.2001		XLR		R...804	57.11.3123	12 KOhm	1%, 0.25W, MF	
P....2	54.21.2001		XLR		R...805	57.11.3102	1 KOhm	1%, 0.25W, MF	
R....1	57.11.3689	6.8 Ohm	1%, 0.25W, MF		R...806	57.11.3102	1 KOhm	1%, 0.25W, MF	
R....2	57.11.3689	6.8 Ohm	1%, 0.25W, MF		R...807	57.11.3271	270 Ohm	1%, 0.25W, MF	
R....3	57.11.3689	6.8 Ohm	1%, 0.25W, MF		R...808	57.11.3561	560 Ohm	1%, 0.25W, MF	
R....4	57.11.3689	6.8 Ohm	1%, 0.25W, MF		R...809	57.11.3150	15 Ohm	1%, 0.25W, MF	
R....5	57.11.3102	1 KOhm	1%, 0.25W, MF		R...810	57.11.3150	15 Ohm	1%, 0.25W, MF	
R....6	57.11.3102	1 KOhm	1%, 0.25W, MF		S....1	55.12.0011		2*2u	
R....7	57.11.3102	1 KOhm	1%, 0.25W, MF		S....2	55.12.0006		3*2u	
R....8	57.11.3102	1 KOhm	1%, 0.25W, MF		T...100	1.022.417.00		1:3.16	ST
R...100	57.99.0250	6.8 KOhm	0.1%, 0.25W, MF		T...200	1.022.417.00		1:3.16	ST
R...101	57.99.0250	6.8 KOhm	0.1%, 0.25W, MF		T...300	1.022.417.00		1:3.16	ST
R...102	57.11.3103	10 KOhm	1%, 0.25W, MF		T...400	1.022.417.00		1:3.16	ST
R...103	57.11.3103	10 KOhm	1%, 0.25W, MF		T...500	1.022.417.00		1:3.16	ST
R...104	57.11.3123	12 KOhm	1%, 0.25W, MF		T...600	1.022.417.00		1:3.16	ST
R...105	57.11.3102	1 KOhm	1%, 0.25W, MF		T...700	1.022.417.00		1:3.16	ST
R...106	57.11.3102	1 KOhm	1%, 0.25W, MF		T...800	1.022.417.00		1:3.16	ST
R...107	57.11.3271	270 Ohm	1%, 0.25W, MF		XIC.100	53.03.0166	8-pole	IC-Socket	
R...108	57.11.3561	560 Ohm	1%, 0.25W, MF		XIC.200	53.03.0166	8-pole	IC-Socket	
R...109	57.11.3150	15 Ohm	1%, 0.25W, MF		XIC.300	53.03.0166	8-pole	IC-Socket	
R...110	57.11.3150	15 Ohm	1%, 0.25W, MF		XIC.400	53.03.0166	8-pole	IC-Socket	
R...200	57.99.0250	6.8 KOhm	0.1%, 0.25W, MF		XIC.500	53.03.0166	8-pole	IC-Socket	
R...201	57.99.0250	6.8 KOhm	0.1%, 0.25W, MF		XIC.600	53.03.0166	8-pole	IC-Socket	
R...202	57.11.3103	10 KOhm	1%, 0.25W, MF		XIC.700	53.03.0166	8-pole	IC-Socket	
R...203	57.11.3103	10 KOhm	1%, 0.25W, MF		XIC.800	53.03.0166	8-pole	IC-Socket	
R...204	57.11.3123	12 KOhm	1%, 0.25W, MF		Input Channel	1-8 : NO. 100.- 800..			
R...205	57.11.3102	1 KOhm	1%, 0.25W, MF		Master Channel	: NO. 1....			
R...206	57.11.3102	1 KOhm	1%, 0.25W, MF						
R...207	57.11.3271	270 Ohm	1%, 0.25W, MF						
R...208	57.11.3561	560 Ohm	1%, 0.25W, MF						
R...209	57.11.3150	15 Ohm	1%, 0.25W, MF						
R...210	57.11.3150	15 Ohm	1%, 0.25W, MF						
R...300	57.99.0250	6.8 KOhm	0.1%, 0.25W, MF						
R...301	57.99.0250	6.8 KOhm	0.1%, 0.25W, MF						
R...302	57.11.3103	10 KOhm	1%, 0.25W, MF						
R...303	57.11.3103	10 KOhm	1%, 0.25W, MF						
R...304	57.11.3123	12 KOhm	1%, 0.25W, MF						
R...305	57.11.3102	1 KOhm	1%, 0.25W, MF						
R...306	57.11.3102	1 KOhm	1%, 0.25W, MF						
R...307	57.11.3271	270 Ohm	1%, 0.25W, MF						
R...308	57.11.3561	560 Ohm	1%, 0.25W, MF						
R...309	57.11.3150	15 Ohm	1%, 0.25W, MF						
R...310	57.11.3150	15 Ohm	1%, 0.25W, MF						
R...400	57.99.0250	6.8 KOhm	0.1%, 0.25W, MF						
R...401	57.99.0250	6.8 KOhm	0.1%, 0.25W, MF						
R...402	57.11.3103	10 KOhm	1%, 0.25W, MF						
R...403	57.11.3103	10 KOhm	1%, 0.25W, MF						
R...404	57.11.3123	12 KOhm	1%, 0.25W, MF						
R...405	57.11.3102	1 KOhm	1%, 0.25W, MF						
R...406	57.11.3102	1 KOhm	1%, 0.25W, MF						
R...407	57.11.3271	270 Ohm	1%, 0.25W, MF						
R...408	57.11.3561	560 Ohm	1%, 0.25W, MF						
R...409	57.11.3150	15 Ohm	1%, 0.25W, MF						
R...410	57.11.3150	15 Ohm	1%, 0.25W, MF						
R...500	57.99.0250	6.8 KOhm	0.1%, 0.25W, MF						
R...501	57.99.0250	6.8 KOhm	0.1%, 0.25W, MF						
R...502	57.11.3103	10 KOhm	1%, 0.25W, MF						
R...503	57.11.3103	10 KOhm	1%, 0.25W, MF						
R...504	57.11.3123	12 KOhm	1%, 0.25W, MF						
R...505	57.11.3102	1 KOhm	1%, 0.25W, MF						
R...506	57.11.3102	1 KOhm	1%, 0.25W, MF						
R...507	57.11.3271	270 Ohm	1%, 0.25W, MF						
R...508	57.11.3561	560 Ohm	1%, 0.25W, MF						
R...509	57.11.3150	15 Ohm	1%, 0.25W, MF						
R...510	57.11.3150	15 Ohm	1%, 0.25W, MF						
R...600	57.99.0250	6.8 KOhm	0.1%, 0.25W, MF						
R...601	57.99.0250	6.8 KOhm	0.1%, 0.25W, MF						
R...602	57.11.3103	10 KOhm	1%, 0.25W, MF						
R...603	57.11.3103	10 KOhm	1%, 0.25W, MF						
R...604	57.11.3123	12 KOhm	1%, 0.25W, MF						
R...605	57.11.3102	1 KOhm	1%, 0.25W, MF						
R...606	57.11.3102	1 KOhm	1%, 0.25W, MF						
R...607	57.11.3271	270 Ohm	1%, 0.25W, MF						
R...608	57.11.3561	560 Ohm	1%, 0.25W, MF						
R...609	57.11.3150	15 Ohm	1%, 0.25W, MF						
R...610	57.11.3150	15 Ohm	1%, 0.25W, MF						
R...700	57.99.0250	6.8 KOhm	0.1%, 0.25W, MF						
R...701	57.99.0250	6.8 KOhm	0.1%, 0.25W, MF						
R...702	57.11.3103	10 KOhm	1%, 0.25W, MF						
R...703	57.11.3103	10 KOhm	1%, 0.25W, MF						
R...704	57.11.3123	12 KOhm	1%, 0.25W, MF						
R...705	57.11.3102	1 KOhm	1%, 0.25W, MF						
R...706	57.11.3102	1 KOhm	1%, 0.25W, MF						
R...707	57.11.3271	270 Ohm	1%, 0.25W, MF						
R...708	57.11.3561	560 Ohm	1%, 0.25W, MF						
R...709	57.11.3150	15 Ohm	1%, 0.25W, MF						
R...710	57.11.3150	15 Ohm	1%, 0.25W, MF						

Input Channel 1-8 : NO. 100.- 800..  
Master Channel : NO. 1....

Mf=Metalfilm

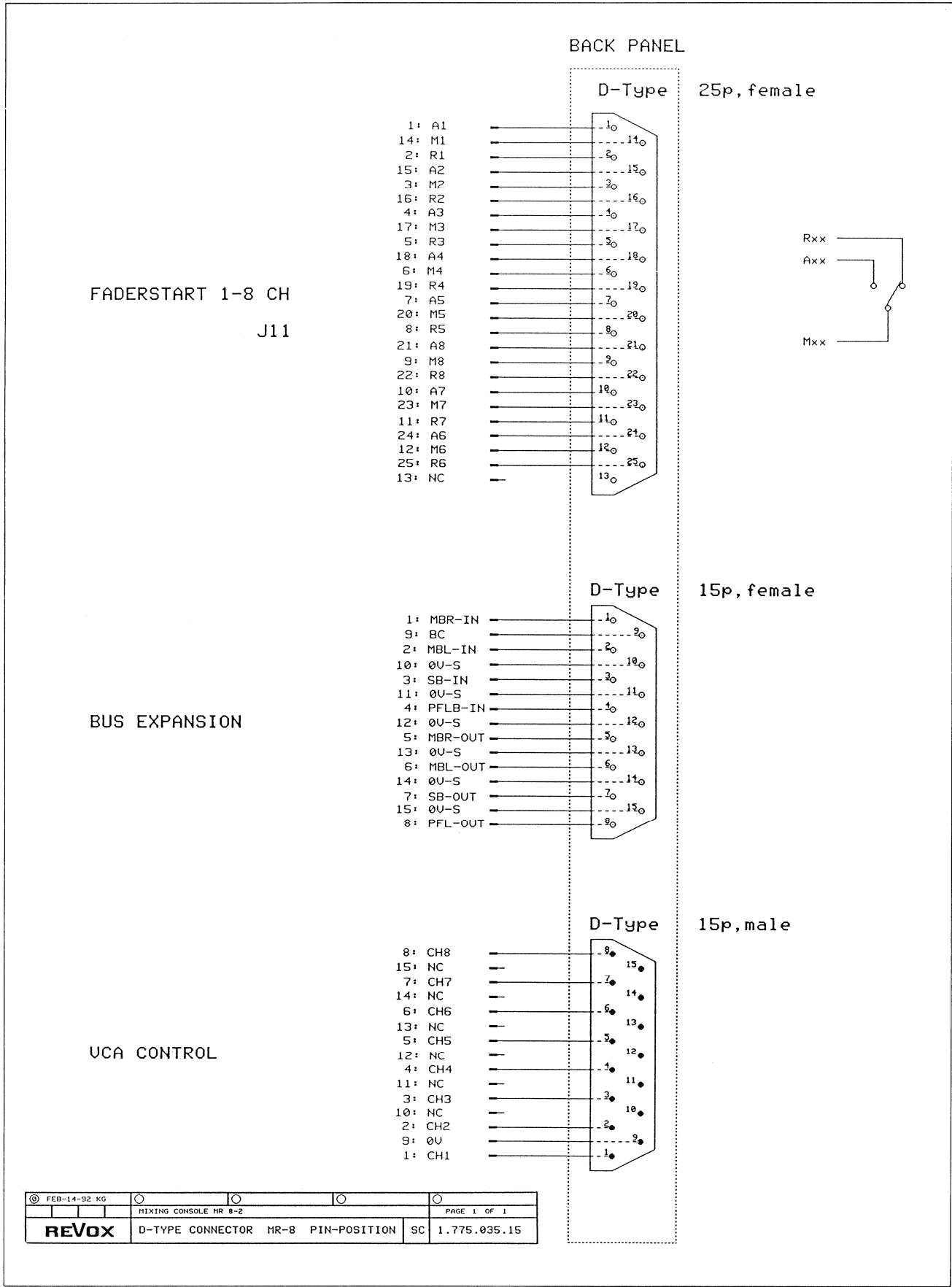
C=Ceramic,PETP=Polyester,EL=Electrolytic,PP=Polypropylen

MANUFACTURER: Sig=Signetics, ST=Studer

1.775.060.00 CONNECTION UNIT KG 92/01/2200

END

D-TYPE CONNECTOR 1.775.035.15



© FEB-14-92 KG				
	MIXING CONSOLE MR 8-2			PAGE 1 OF 1
<b>REVOX</b>	D-TYPE CONNECTOR	MR-8	PIN-POSITION	SC 1.775.035.15