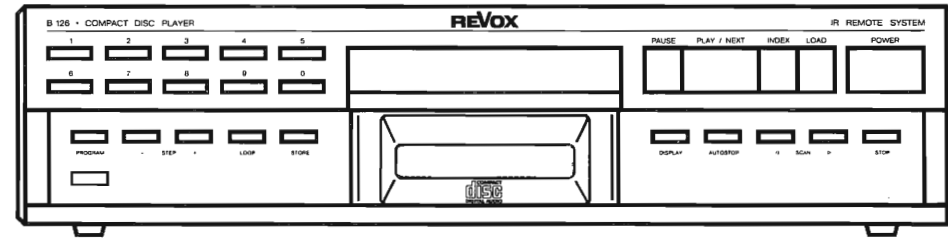


# REVOX B126

## GESAMTSCHALTBILD COMPLETE CIRCUIT DIAGRAM SCHEMA GÉNÉRAL



### Handling MOS components

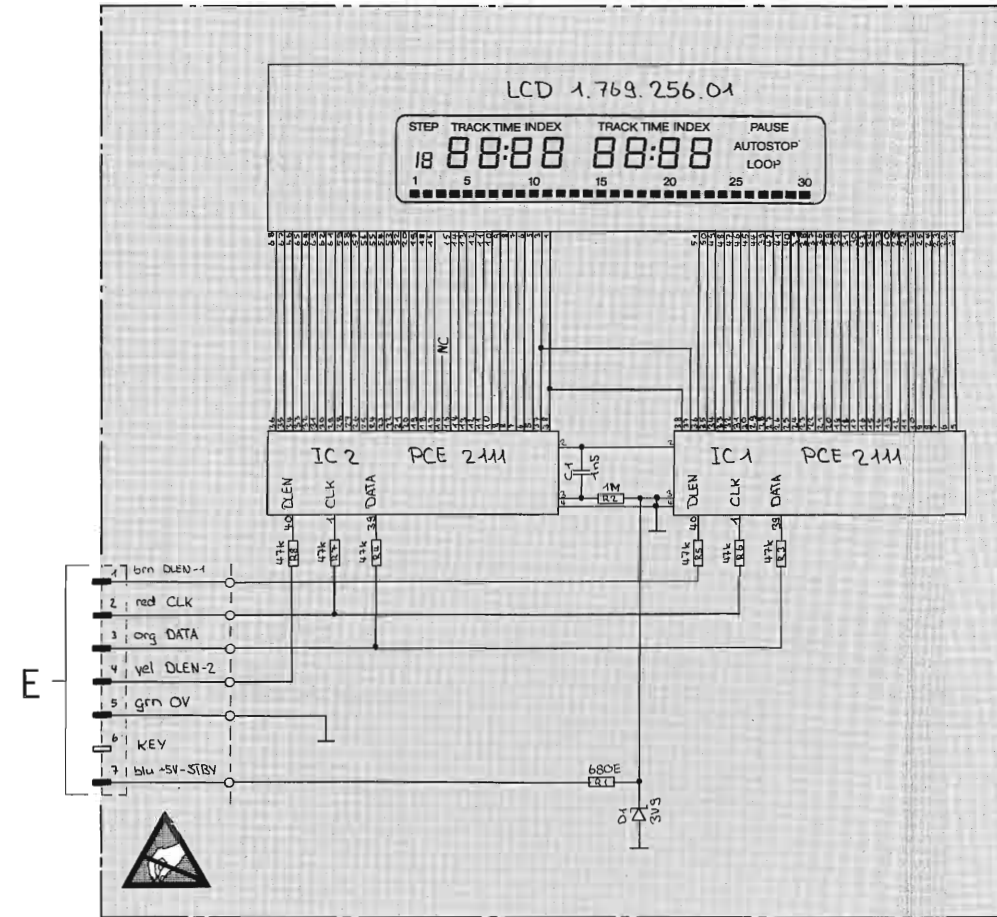
MOS components are extremely sensitive to static charges. Please observe therefore the following regulations:

1. Components sensitive to static charges are stored and shipped in protective package. On the packages you find the subsequent symbol.
2. Avoid any contact of connector pins with your fingers and avoid contact with solder or similar chargeable package material.
3. Don't touch the connector pins when your wrist is not grounded with a conducting wristlet.
4. Use a grounded conducting mat when working with sensitive components.
5. Never plug or unplug PCBs containing sensitive components when the machine is switched on.

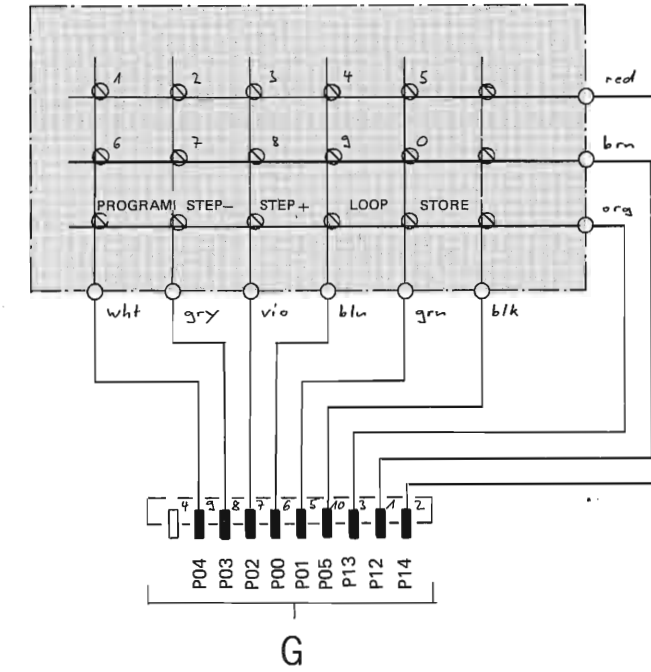


Subject to change  
Copyright by WILLI STUDER AG  
Printed in Switzerland  
Order No. 10.30.0970 (Ed. 0589)  
REVOX is a registered trade mark of  
WILLI STUDER AG Regensdorf

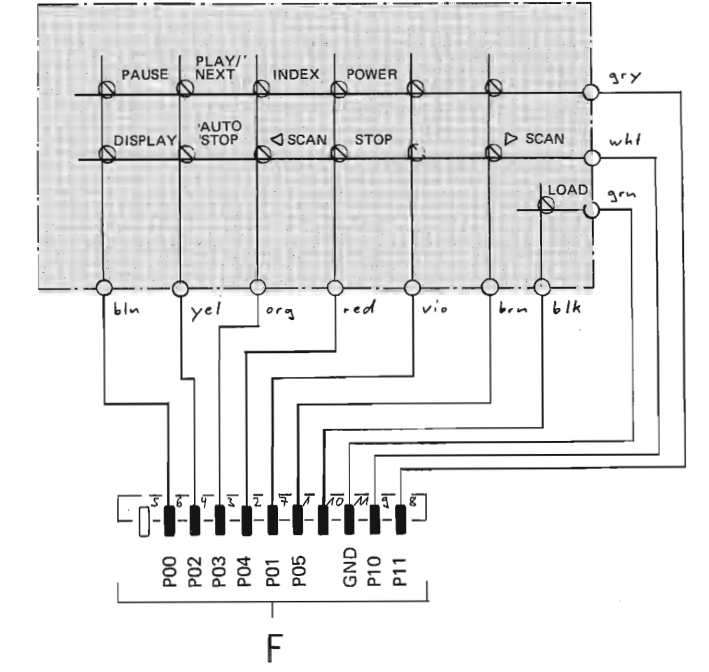
LCD BOARD 1.769.253.00



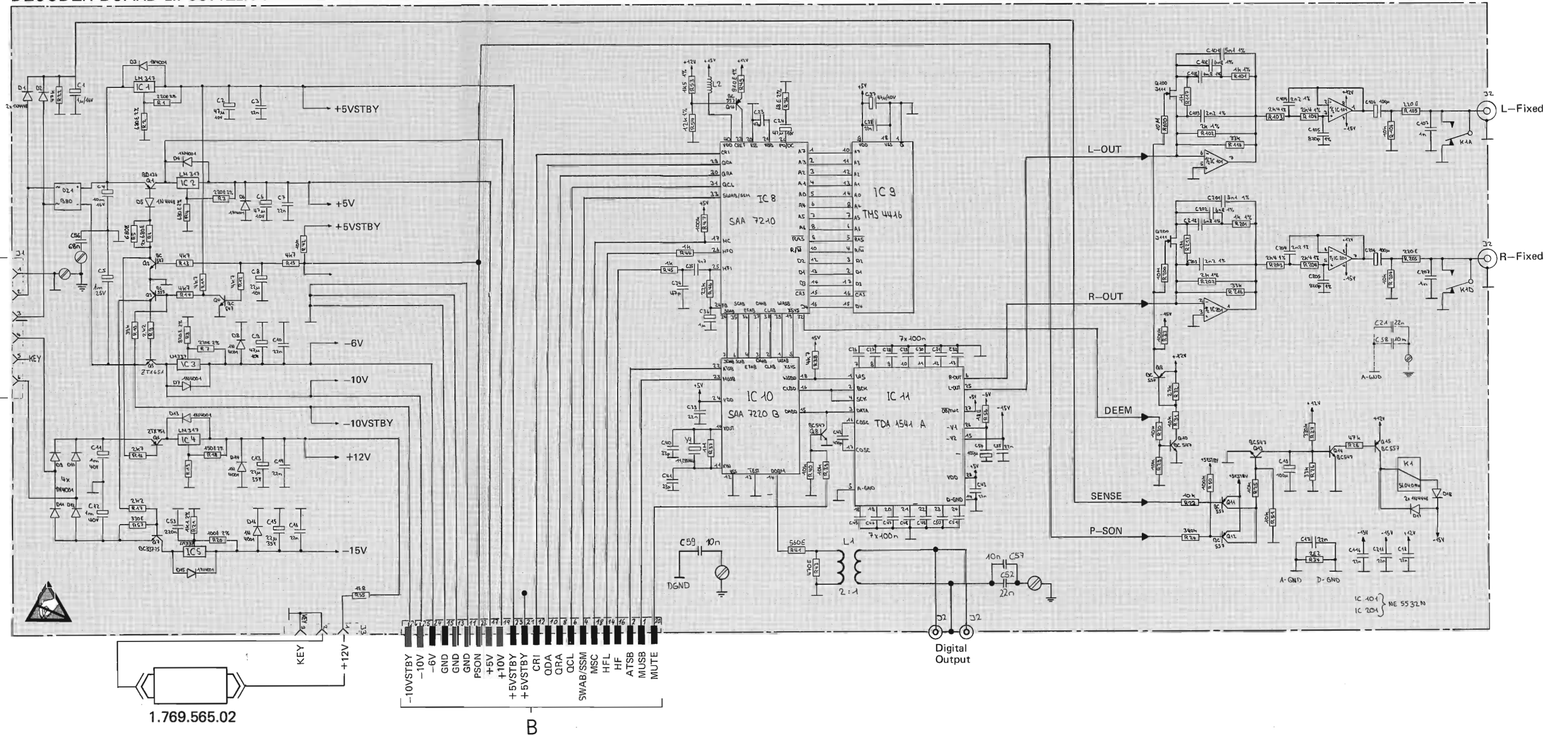
KEYBOARD LEFT 1.769.215.00



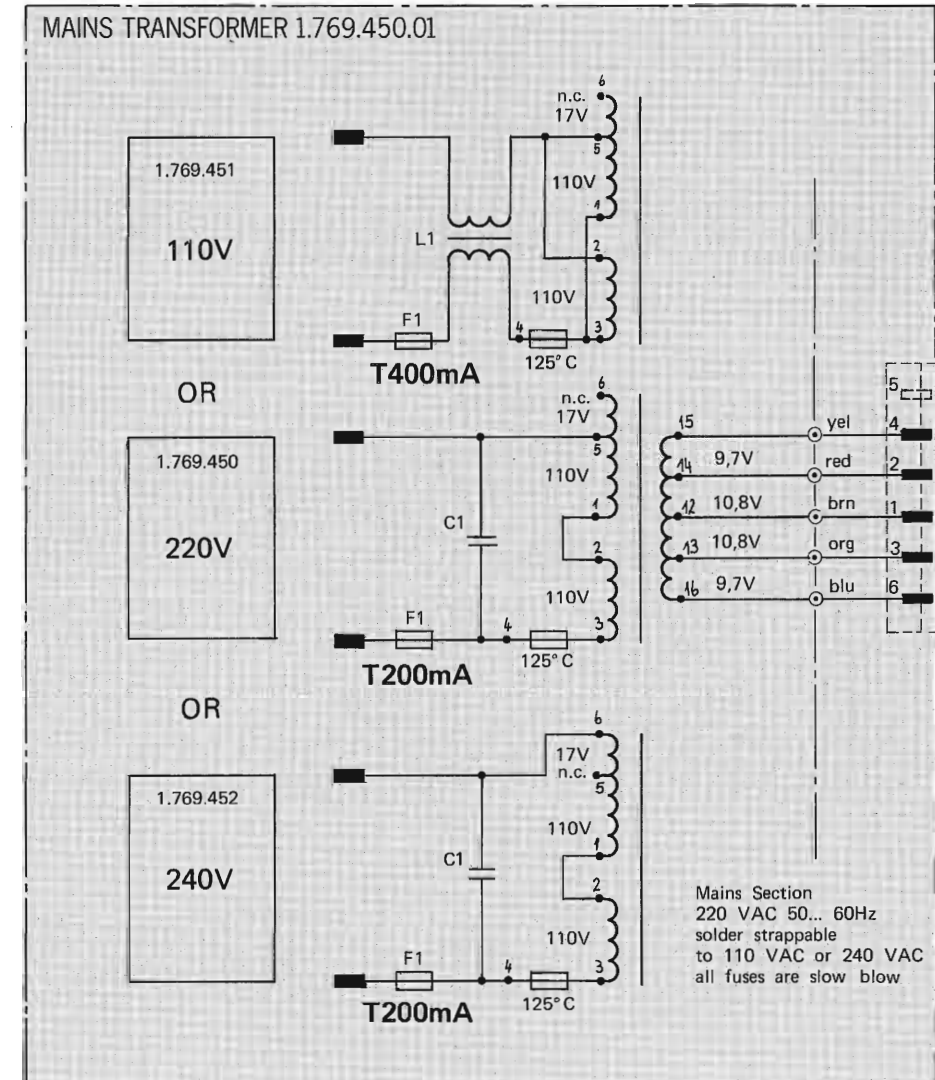
KEYBOARD RIGHT 1.769.202.00



DECODER BOARD 1.769.421.00



MAINS SECTION 1.769.450.00 220V

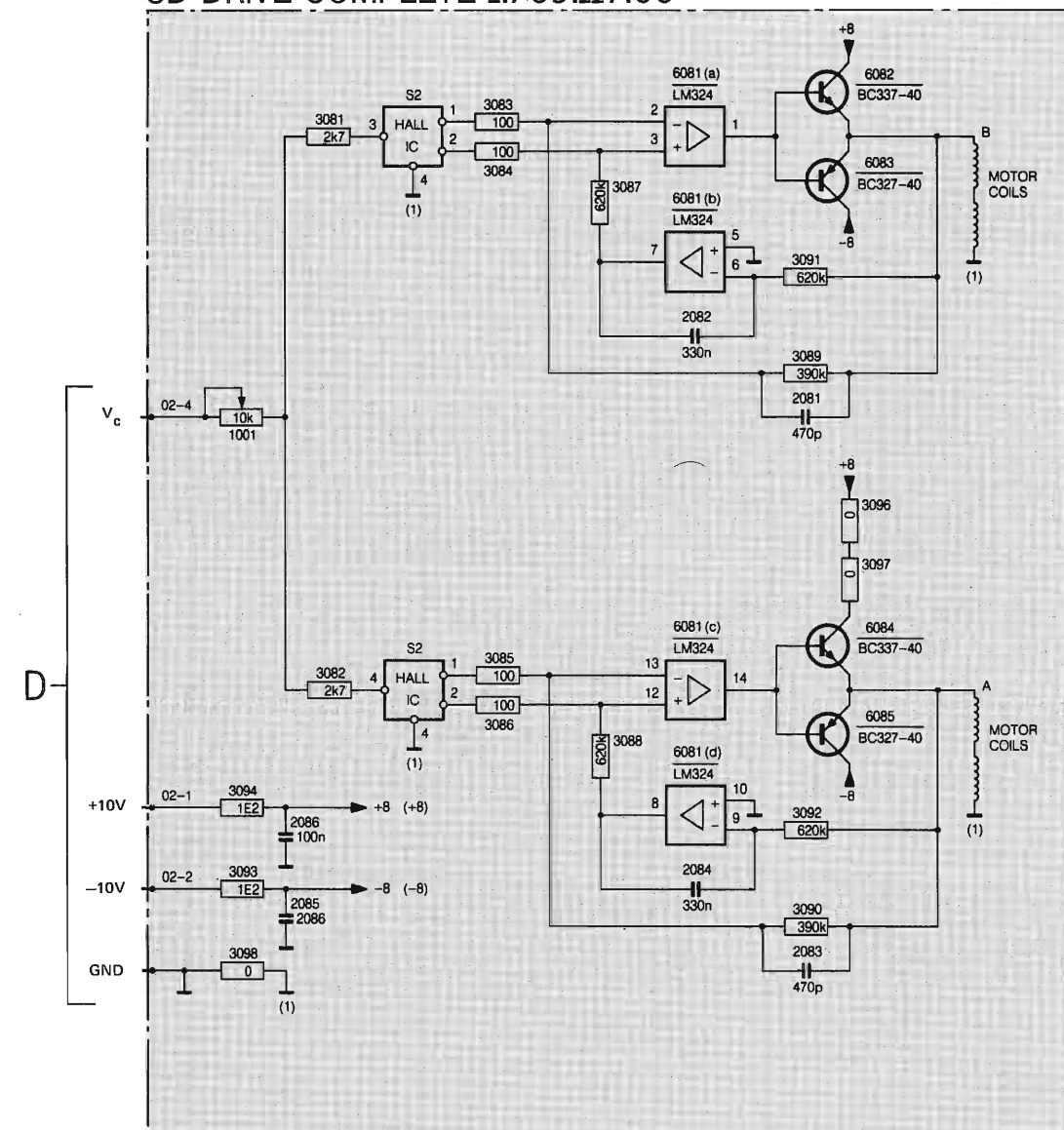


Mains Section  
220 VAC 50... 60Hz  
solder strappable  
to 110 VAC or 240 VAC  
all fuses are slow blow

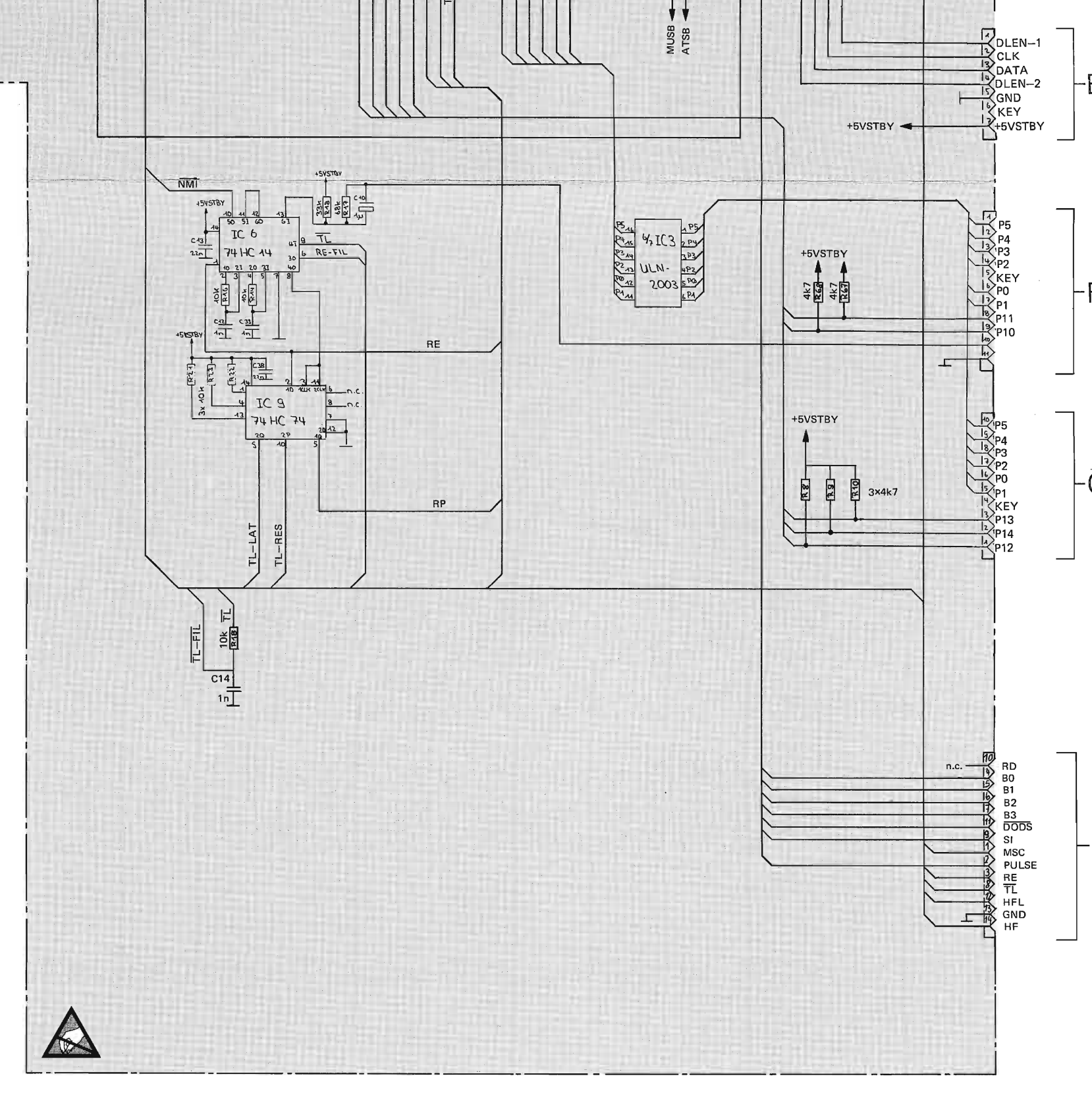
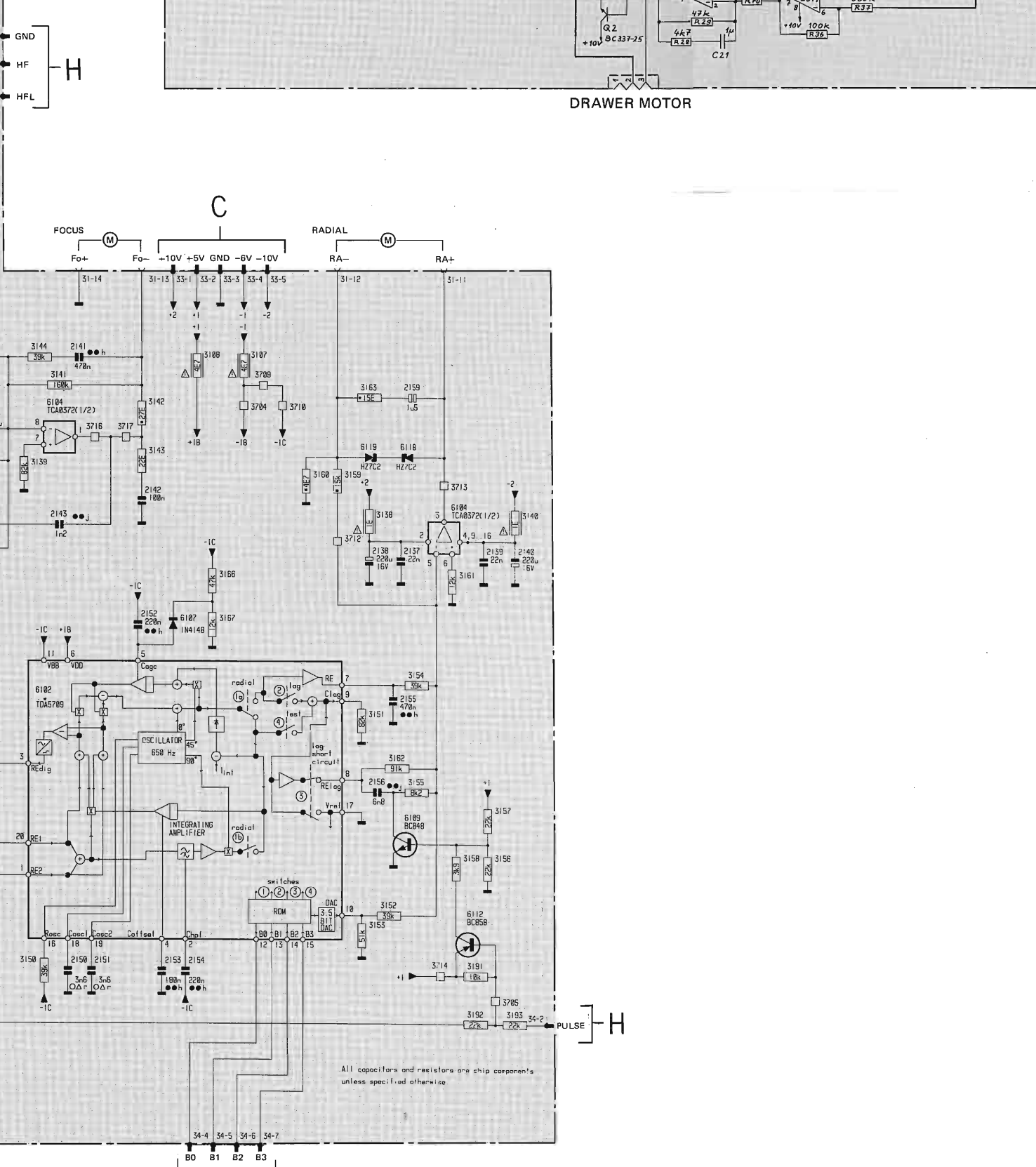
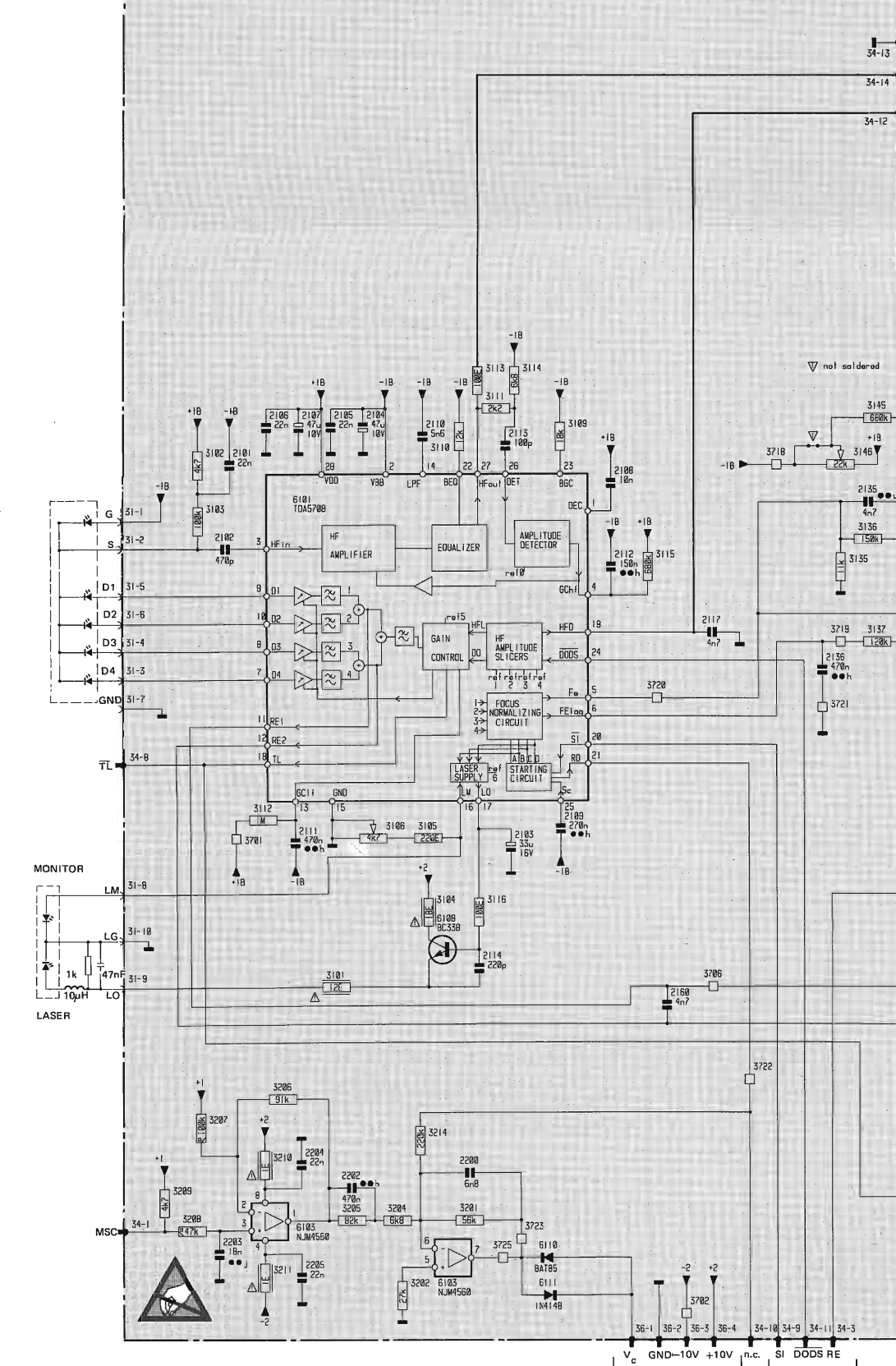
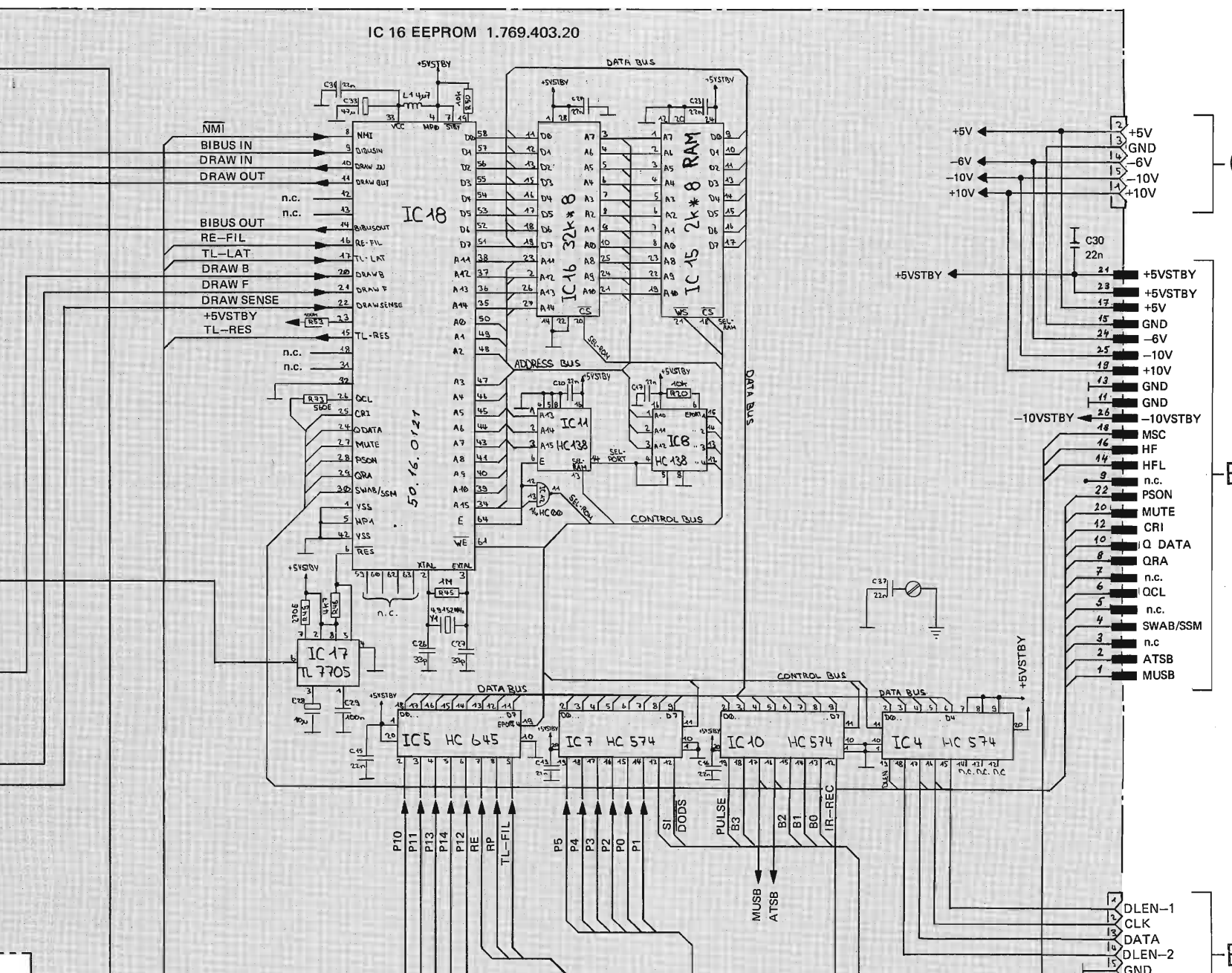
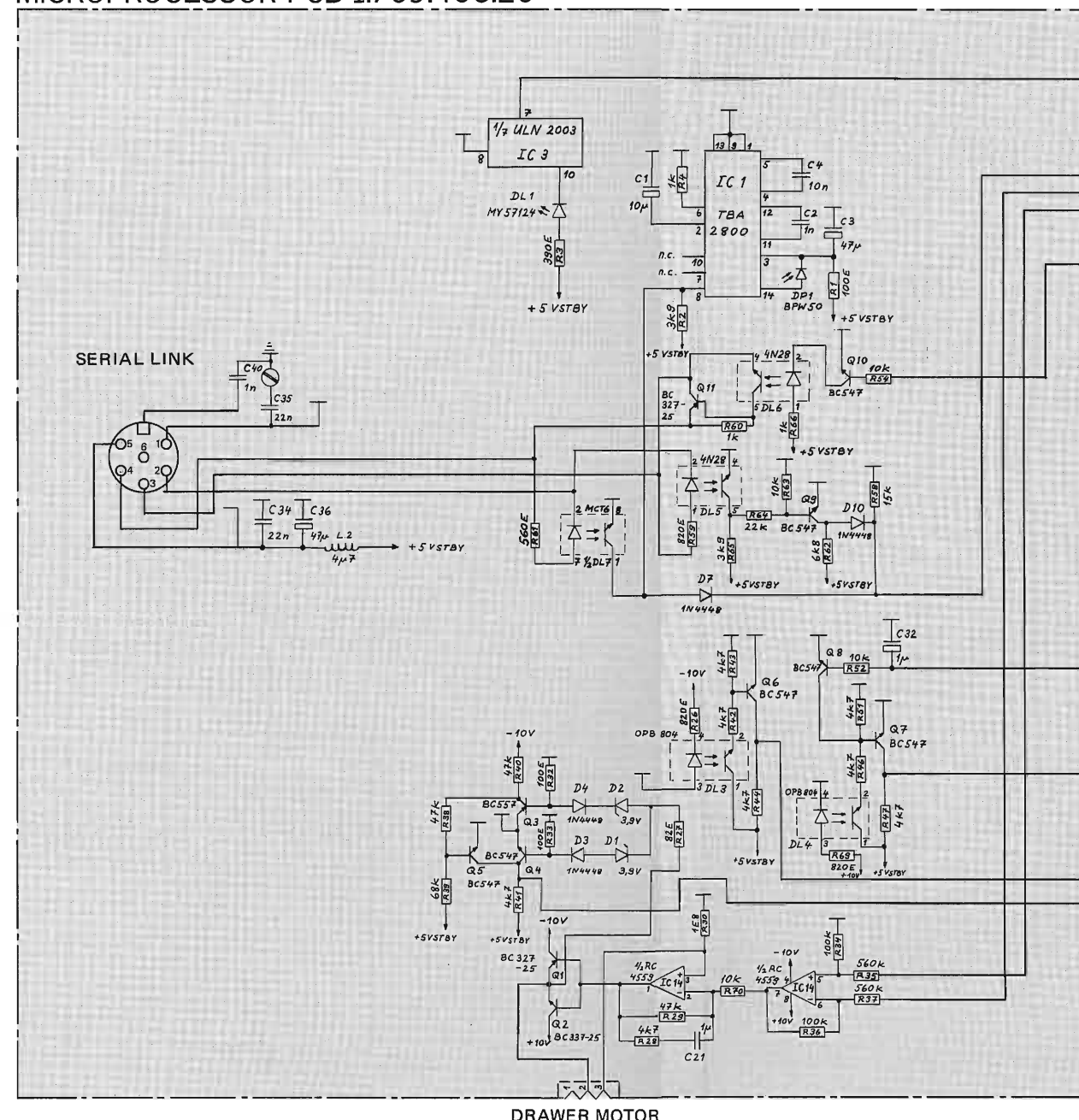
1.769.565.02

B

CD-DRIVE COMPLETE 1.769.117.00



MICROPROCESSOR PCB 1.769.406.20



D H H H C B E F G H