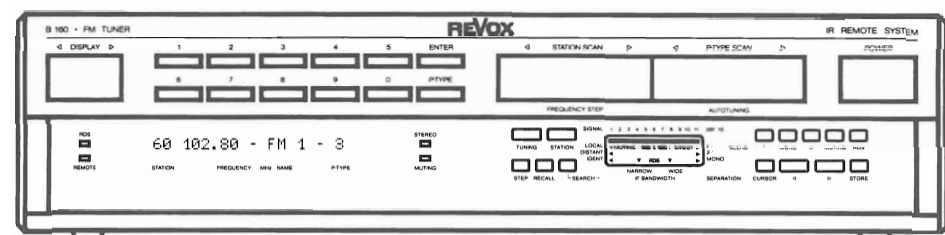


**GESAMTSCHALTBIKD  
COMPLETE CIRCUIT DIAGRAM  
SCHEMA GÉNÉRAL**

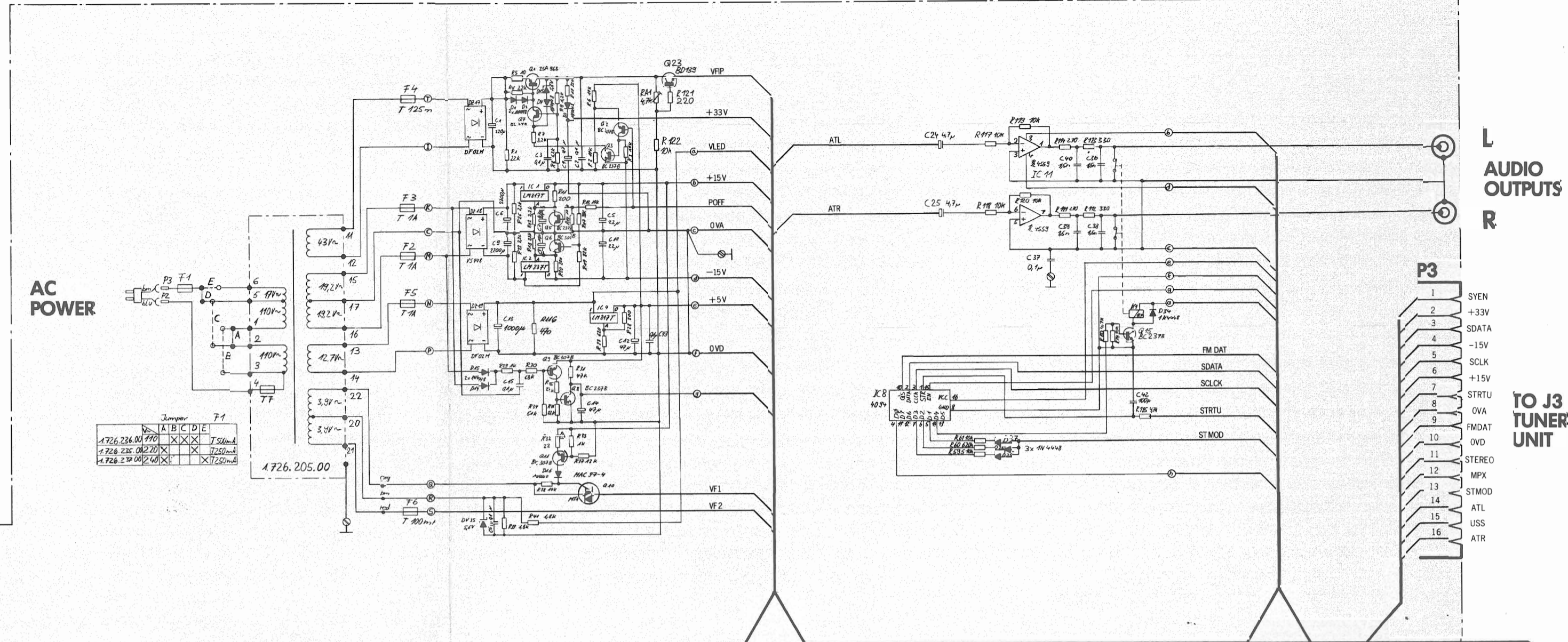
# B160



**Handling MOS components**  
MOS components are extremely sensitive to static charges. Please observe therefore the following regulations:  
1. Components sensitive to static charges are stored and shipped in protective packages. On the packages you find the subsequent symbol.  
2. Avoid any contact of connector pins with foam packages and foils made of styrofoam or similar chargeable package material.  
3. Don't touch the connector pins when your wrist is not grounded with a conducting wristlet.  
4. Use a grounded conducting mat when working with sensitive components.  
5. Never plug or unplug PCBs containing sensitive components when the machine is switched on.

Subject to change  
Copyright by WILLI STUDER AG  
Printed in Switzerland  
Order No. 10.30.1030 (Ed.1188)

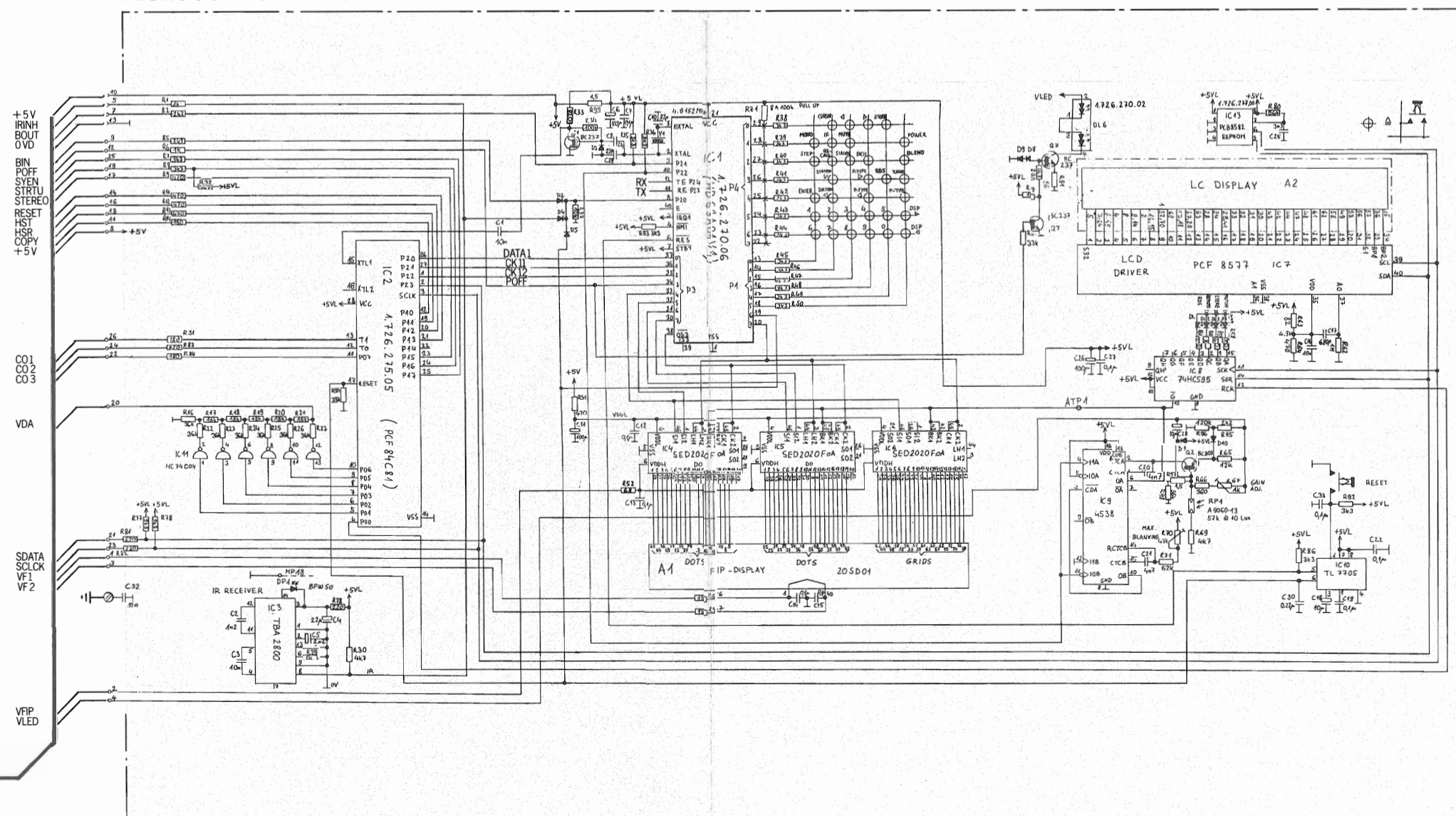
## POWER SUPPLY UNIT 1.726.235.00



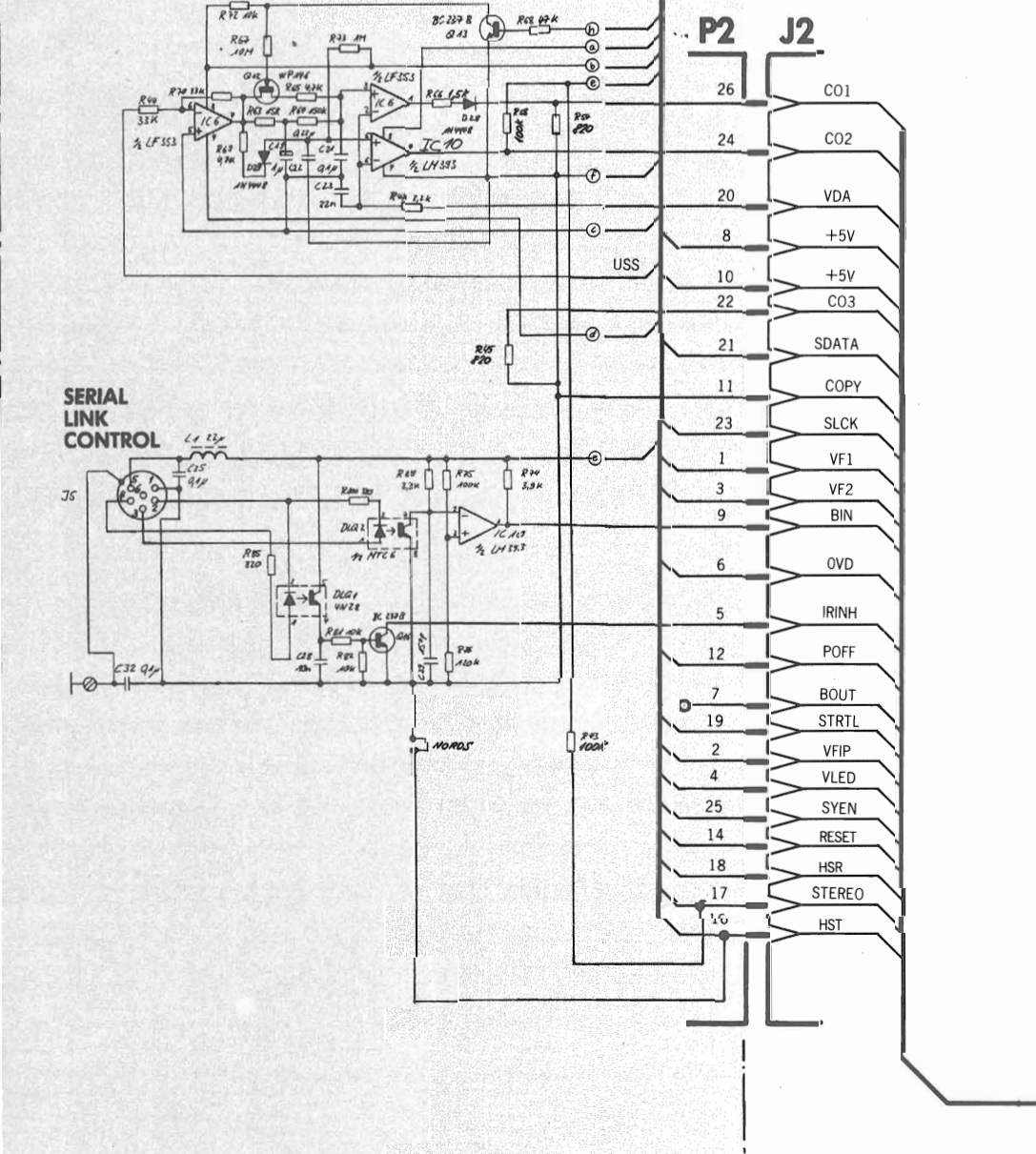
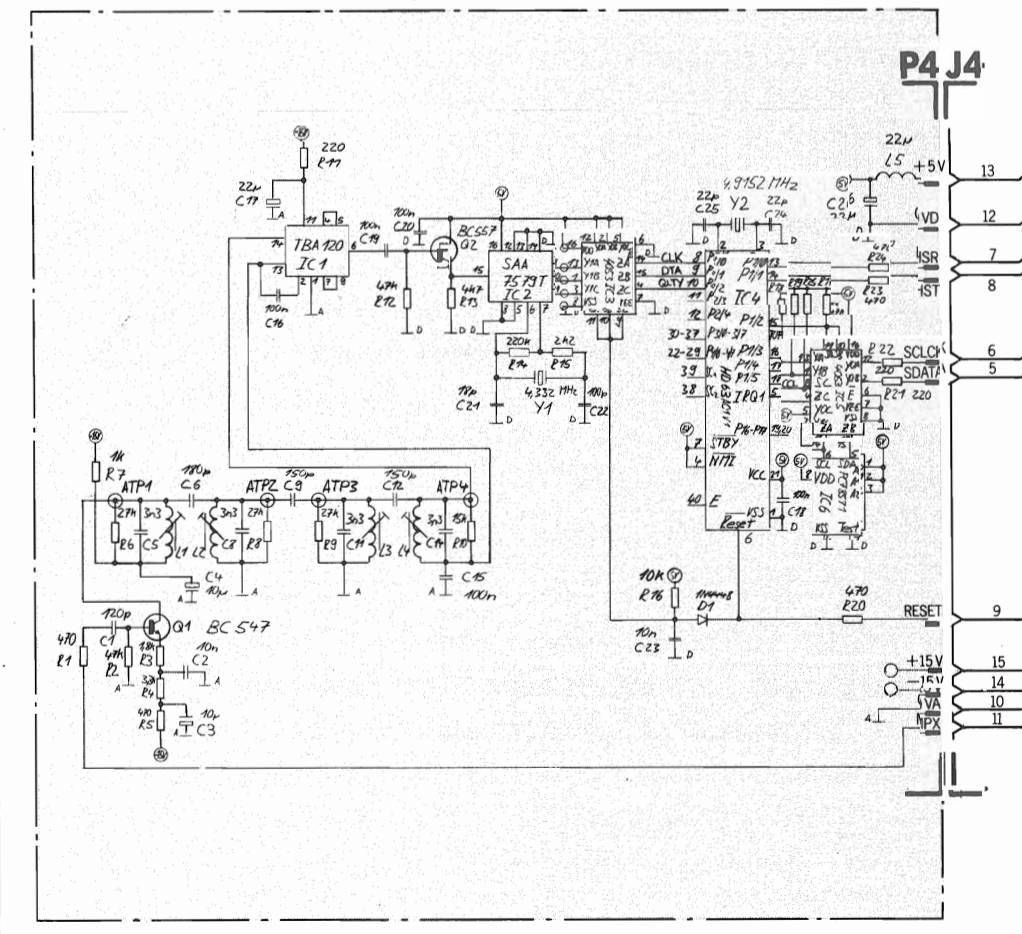
Jumpers F1

	A	B	C	D	E	F	G
1.726.235.00	X	X	X	X	X	X	X
1.726.235.00	X	X	X	X	X	X	X
1.726.235.00	X	X	X	X	X	X	X

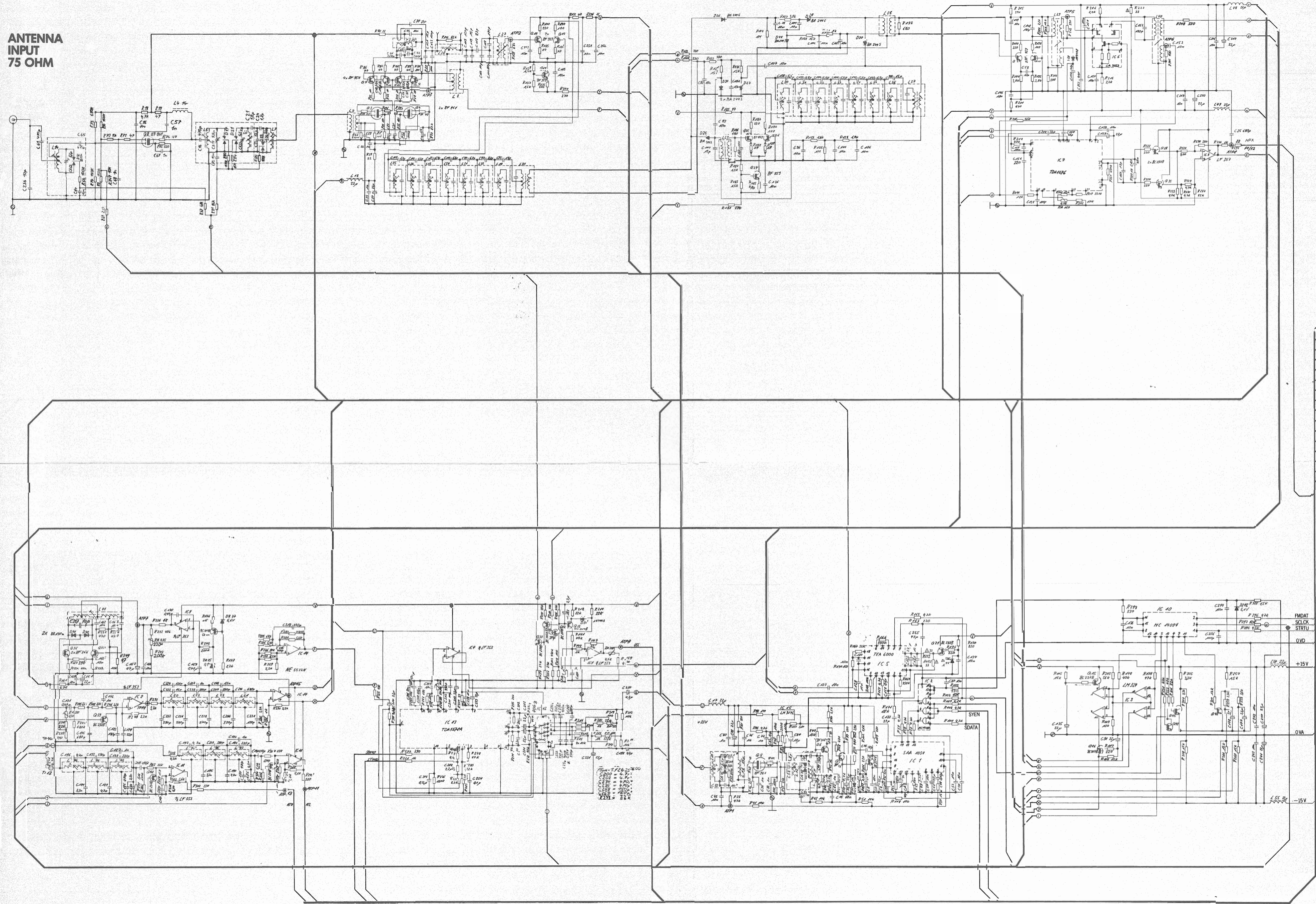
## MICROCOMPUTER BOARD 1.726.275.00



## RDS UNIT 1.726.280.20 (optional)



ANTENNA  
INPUT  
75 OHM



J3

- 16 ATR
- 15 USS
- 14 ATL
- 13 STMOD
- 12 MPX
- 11 STEREO
- 10 OVD
- 9 FMDAT
- 8 OVA
- 7 STRTU
- 6 +15V
- 5 SCLK
- 4 -15V
- 3 SDATA
- 2 +33V
- 1 SYEN

TO P3  
SUPPLY  
UNIT