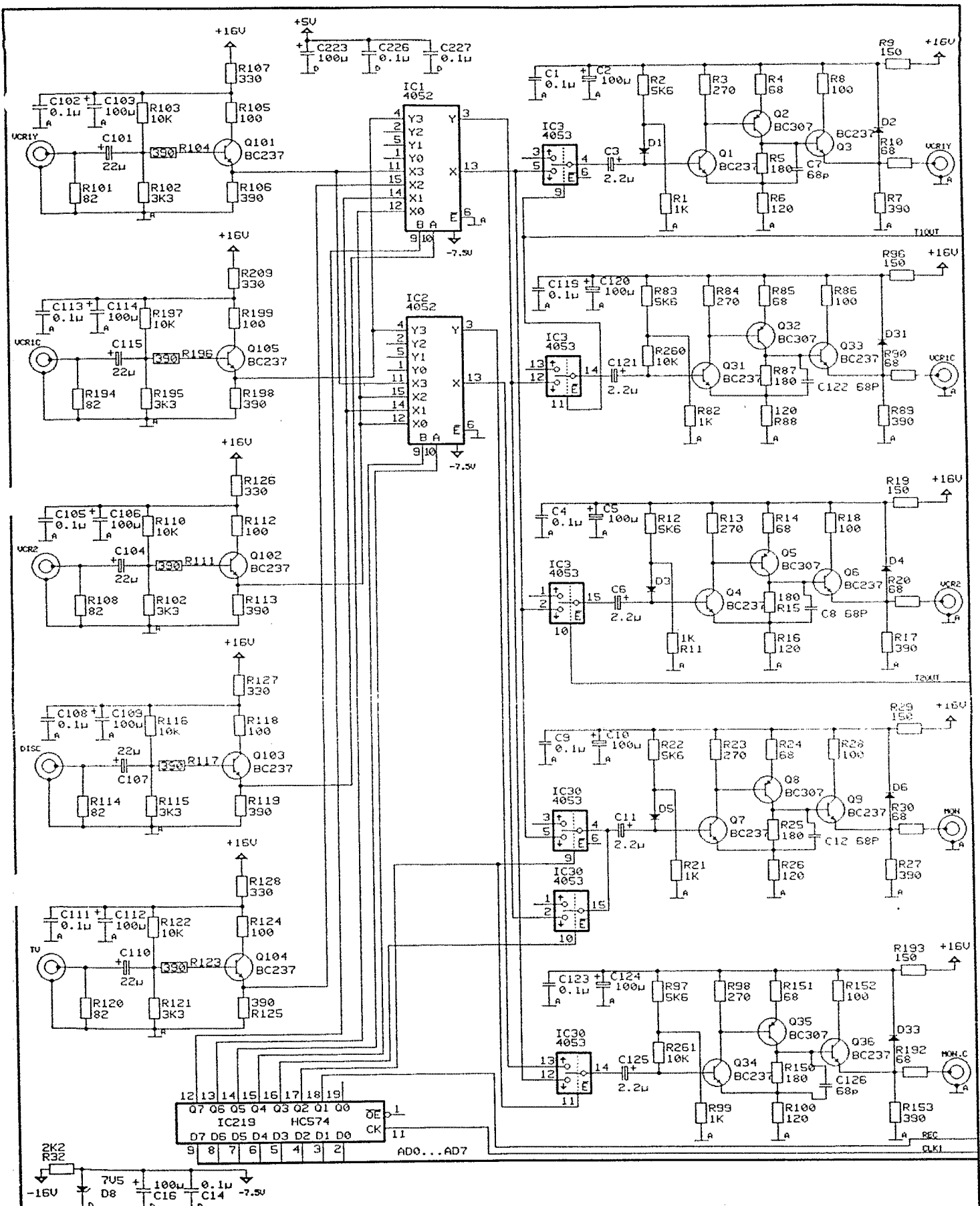


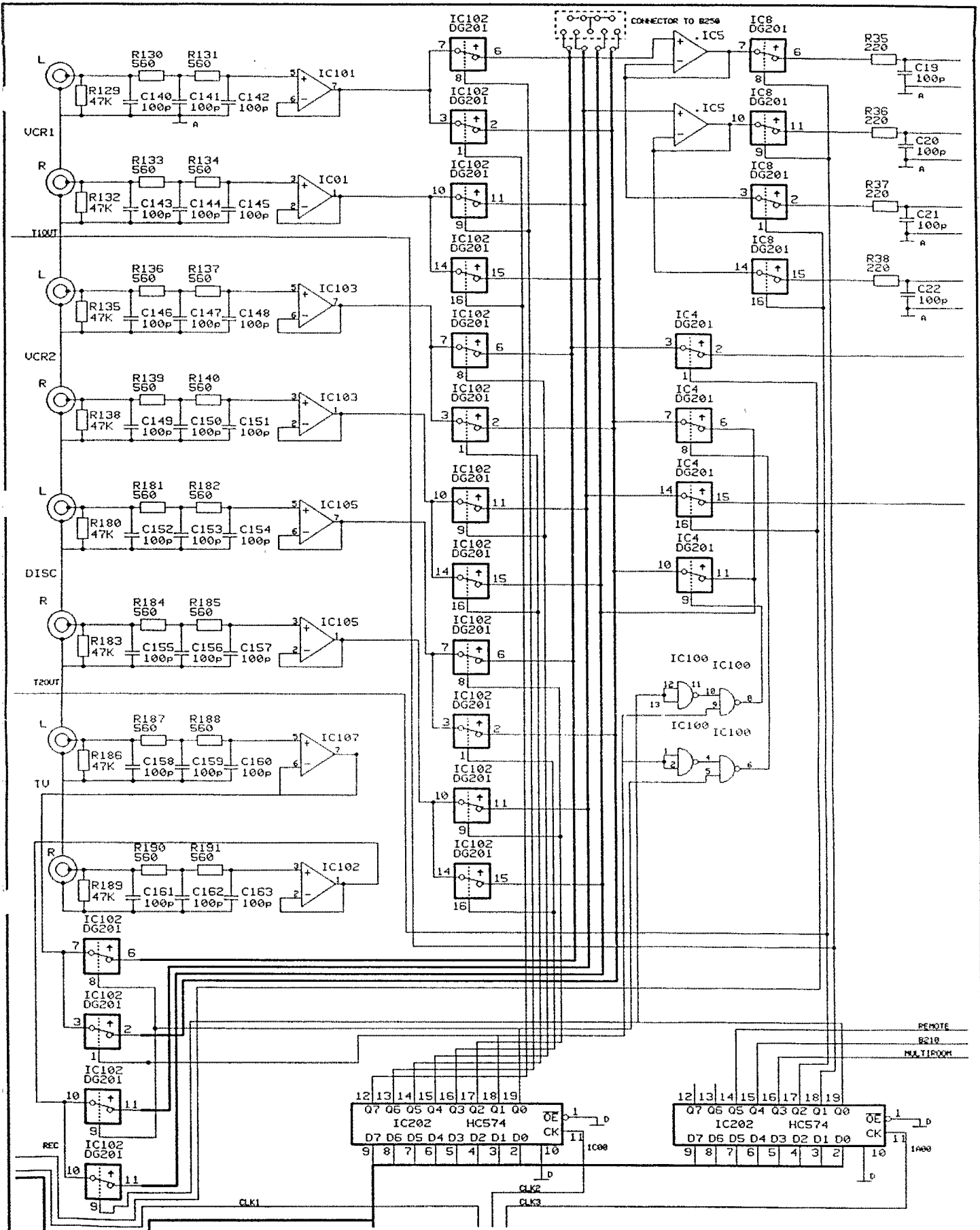
**Service Manual**

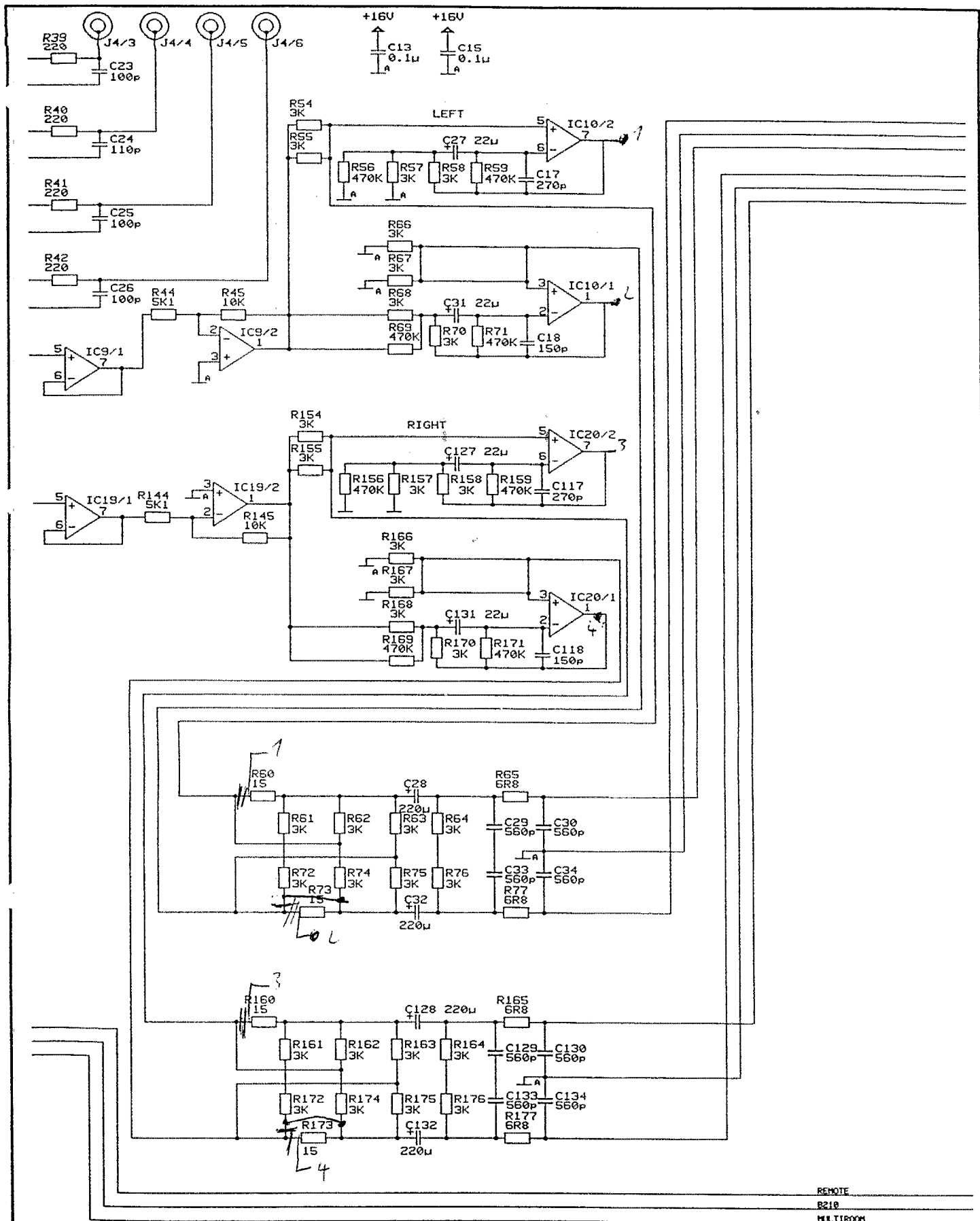
**ReVox B200**

**Timer Controller**



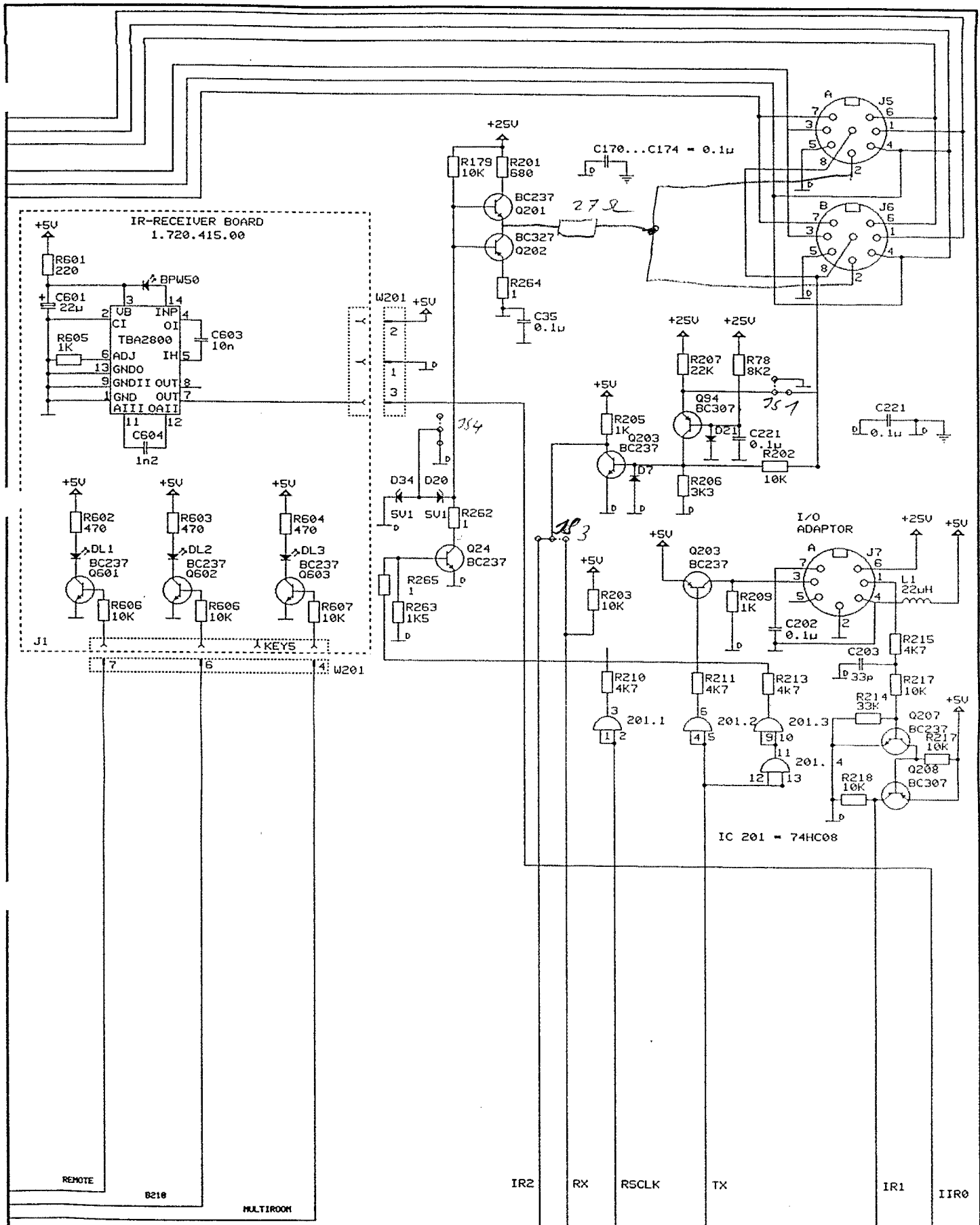
© JUN-20-81							
H.C.R.U		AUDIO VIDEO CONTROLLER B200				PAGE 1 OF 8	
<b>STUDER</b>		TIMER CONTROLLER BOARD "ESE"				SC 1.720.410.00	



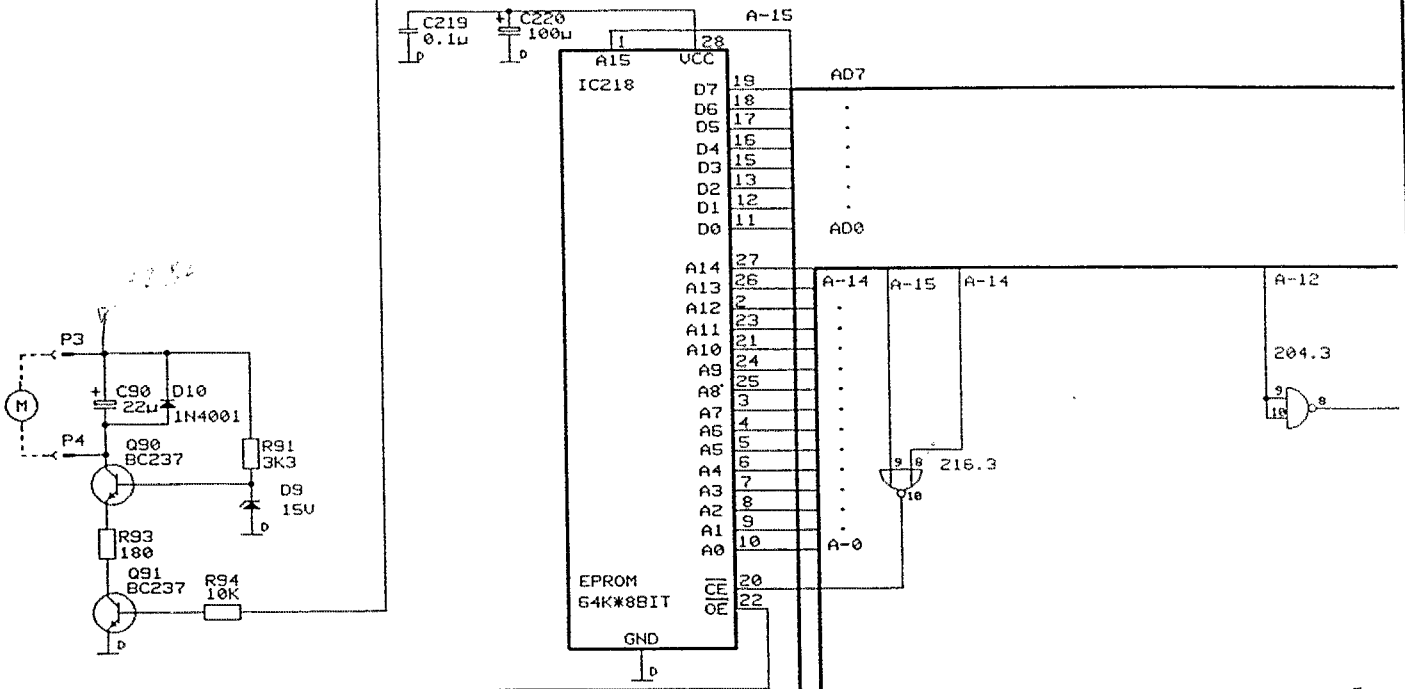


REMOTE  
B210  
MULTIROOM

© JUN-20-91		○		○		○	
H.C.RU		AUDIO VIDEO CONTROLLER B200				PAGE 3 OF 8	
STUDER		TIMER CONTROLLER BOARD "ESE"				SC 1.720.410.00	

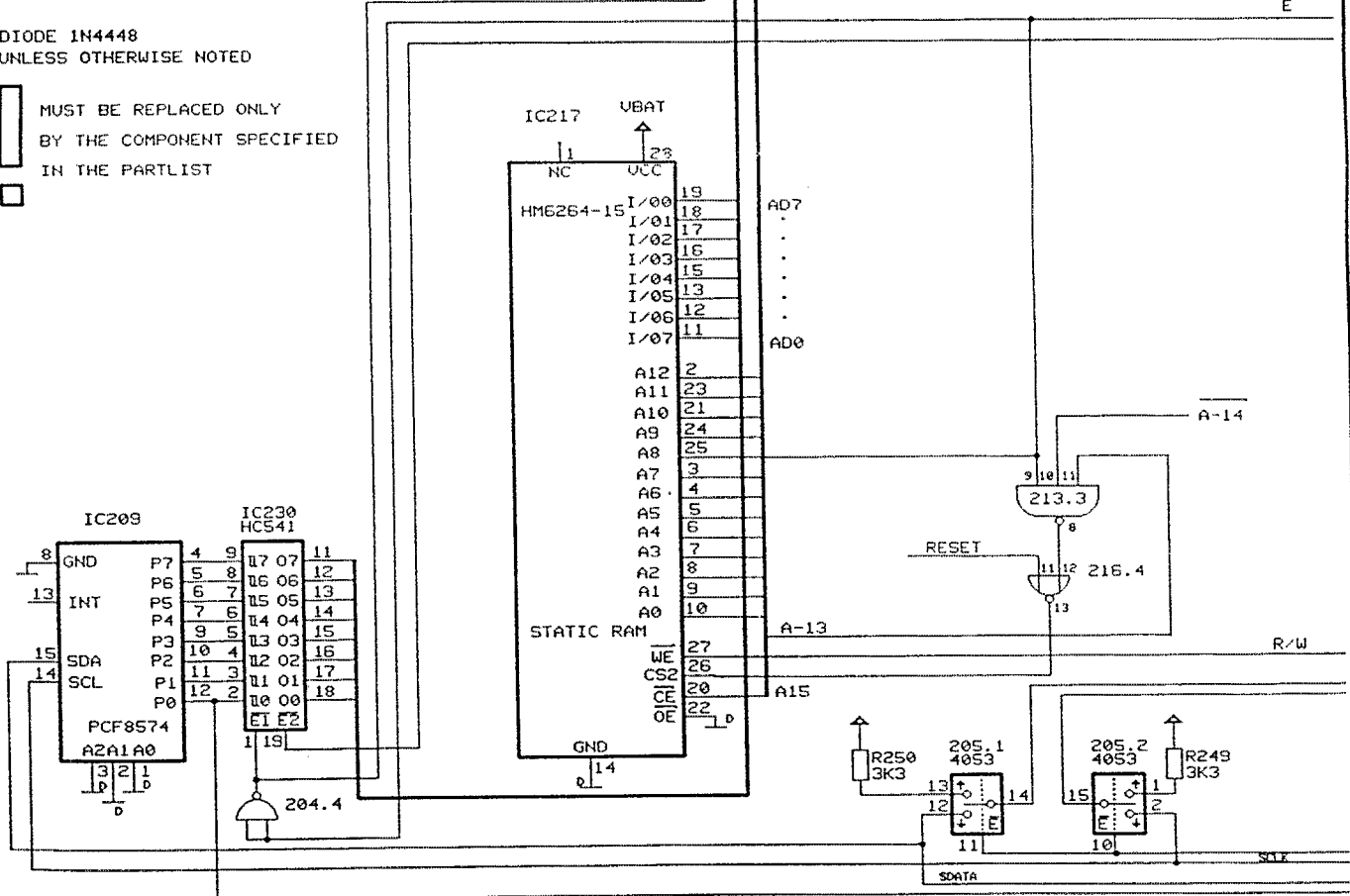


FANON

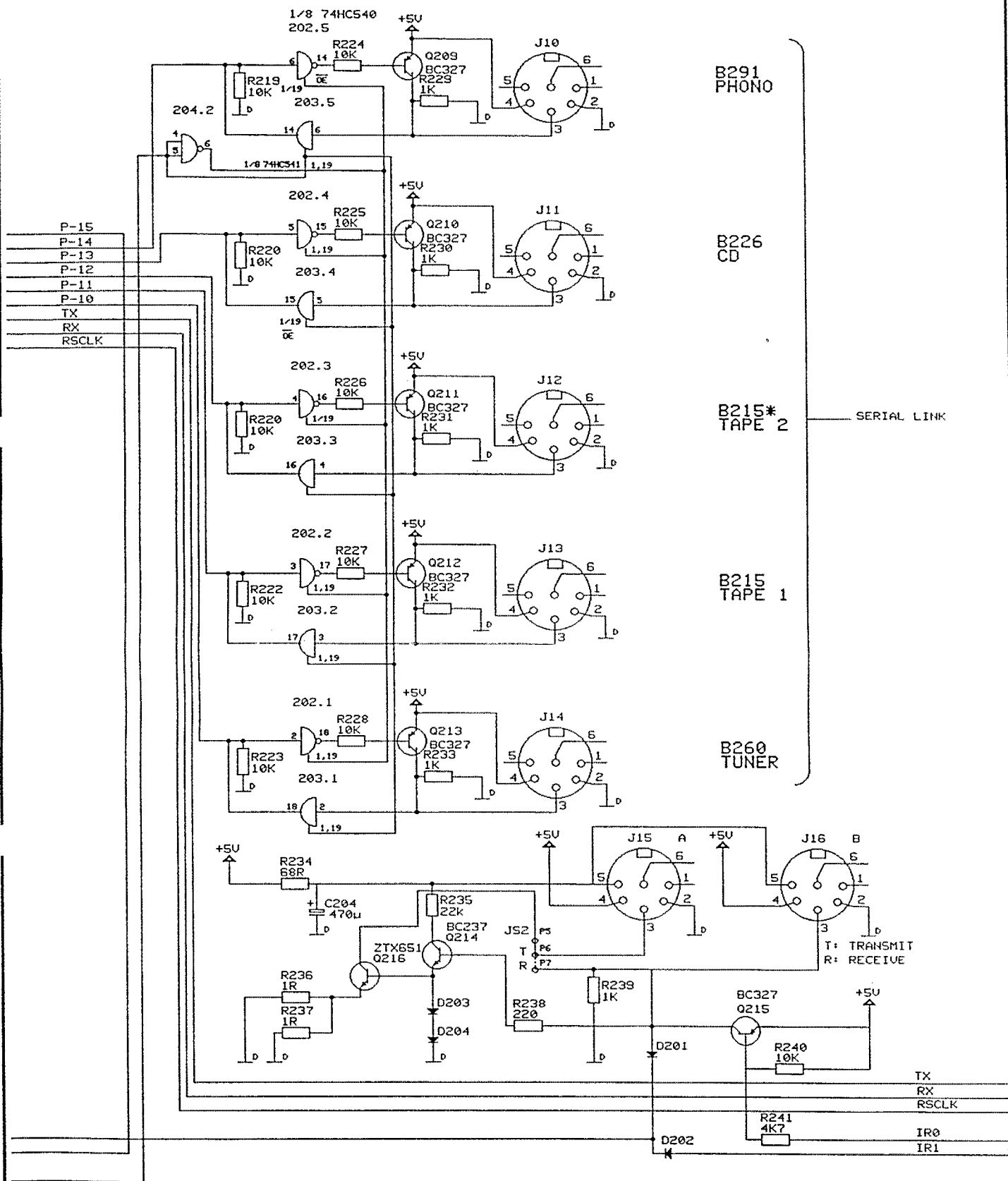


DIODE IN4448  
UNLESS OTHERWISE NOTED

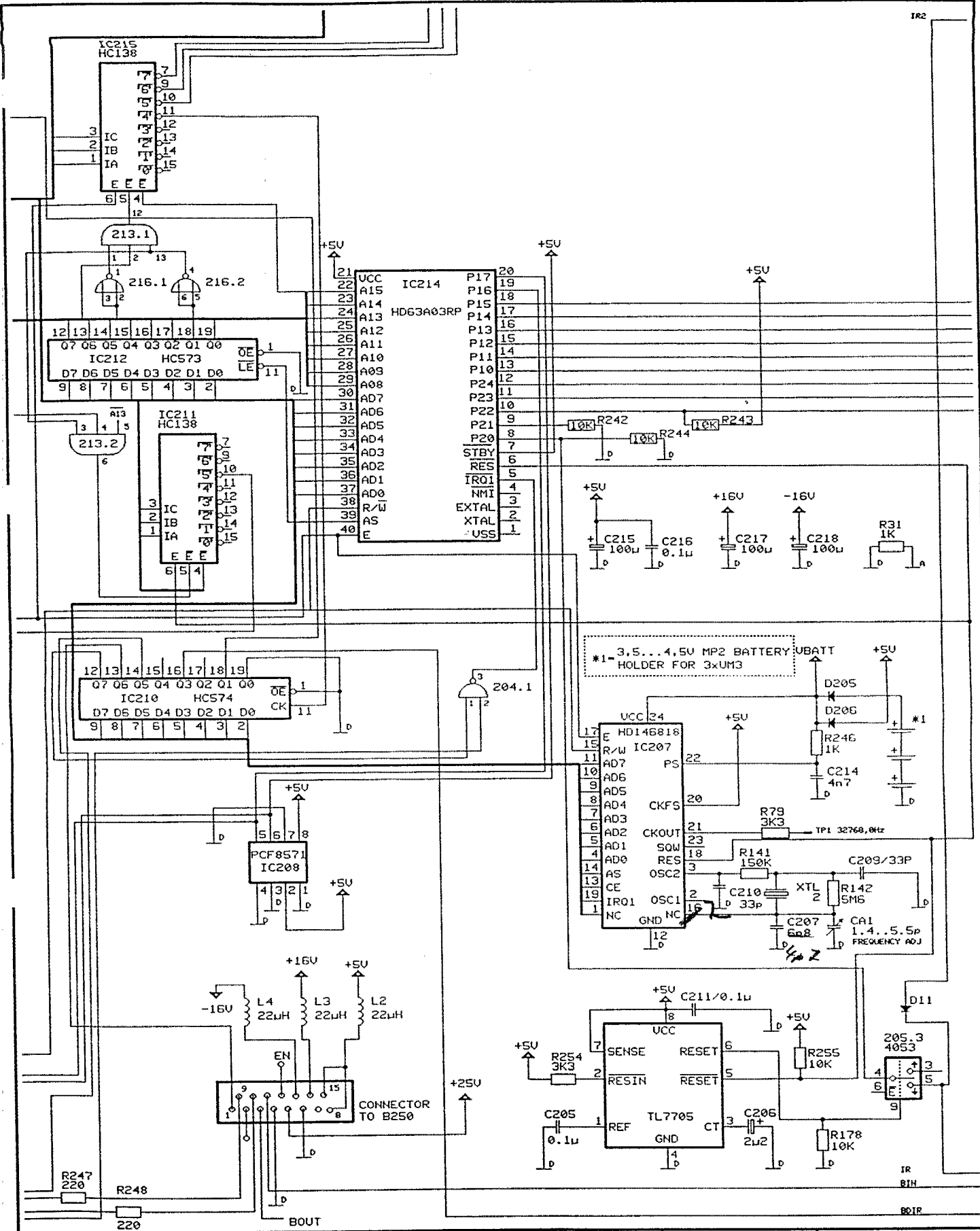
- MUST BE REPLACED ONLY BY THE COMPONENT SPECIFIED IN THE PARTLIST
- 



© JUN-20-91									
M.C.RV		AUDIO VIDEO CONTROLLER B200				PAGE 5 OF 8			
<b>STUDER</b>		TIMER CONTROLLER BOARD "ESE"				SC		1.720.410.00	



© JUN-20-91							
M.C.RJ		AUDIO VIDEO CONTROLLER B200				PAGE 7 OF 8	
<b>STUDER</b>		<b>TIMER CONTROLLER BOARD "ESE"</b>				SC	1.720.410.00



© JUN-20-91							
N.C.RU		AUDIO VIDEO CONTROLLER B250				PAGE 6 OF 8	
<b>STUDER</b>		TIMER CONTROLLER BOARD "ESE"				SC 1.720.410.00	

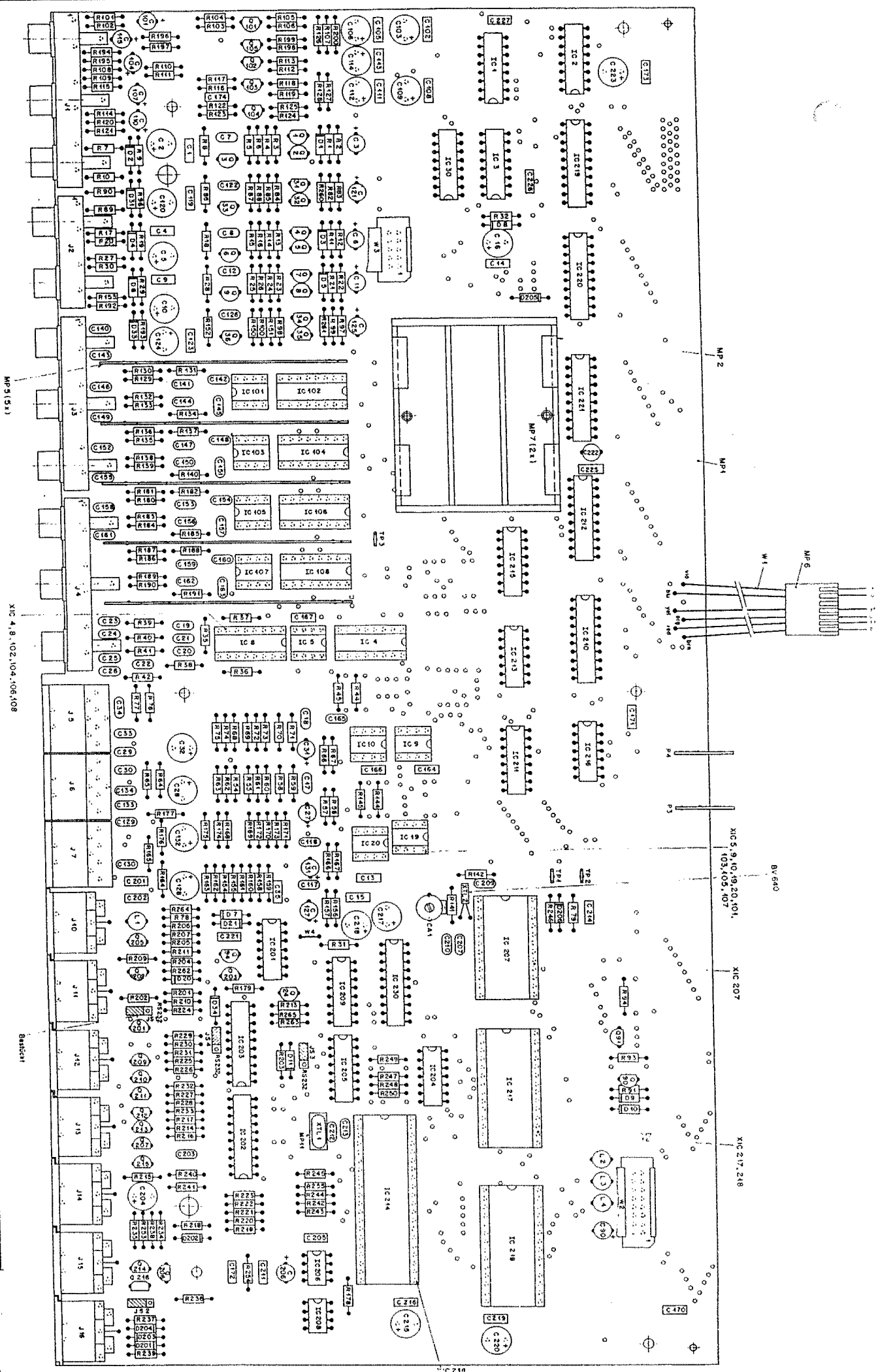


IR2

TXDIR  
RX  
RSCLK

$\overline{IR0}$   
IR1

© JUN-20-91	○	○	○	○
M.C.RJ			AUDIO VIDEO CONTROLLER B200	PAGE 8 OF 8
<b>STUDER</b>	TIMER CONTROLLER BOARD "ESE"			SC 1.720.410.00



MP 9 (5x1)  
 XIC 4, 8, 102, 104, 106, 108

BY 640  
 XIC 5, 9, 10, 19, 20, 101,  
 103, 105, 107  
 XIC 207  
 XIC 217, 218

Schwer 1.720.410-03 / 1.720.411-01 /  
 1.401.001-20 / 43.01.0108  
 aufgetrennt nach Fortschrittsplan

STUCCO REVISION		TIMER CONTROLLER BOARD		ESE	
Part No.	Rev. No.	Order No.	Part No.	Rev. No.	Order No.
1.720.410-03	01	1.720.411-01	1.720.410-20	01	1.720.410-20
1.401.001-20	01	43.01.0108			
Date: 28.08.88		Date: 28.08.88		Date: 28.08.88	
By: [Signature]		By: [Signature]		By: [Signature]	
Checked: [Signature]		Checked: [Signature]		Checked: [Signature]	
Approved: [Signature]		Approved: [Signature]		Approved: [Signature]	