

D

9

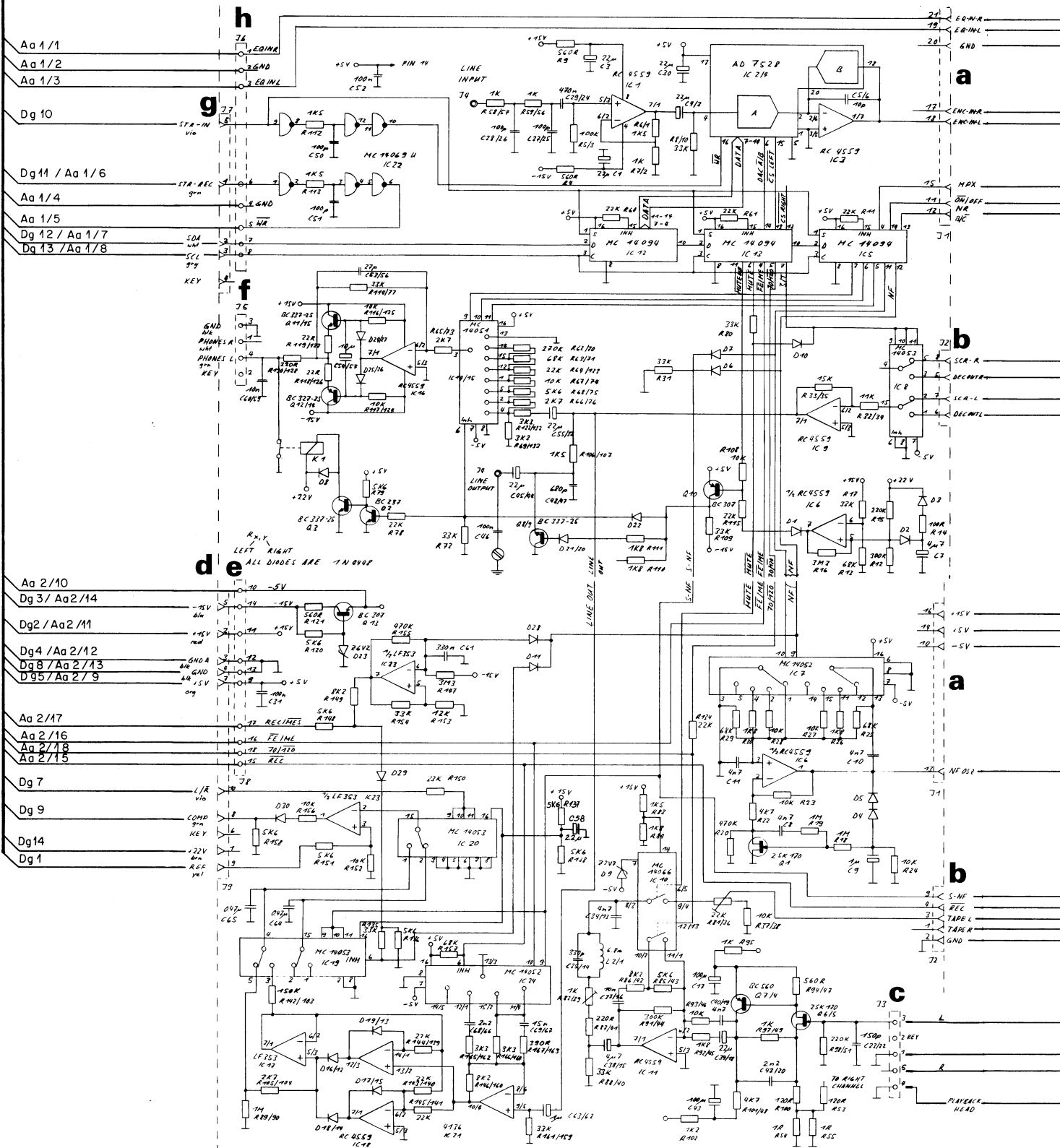
i

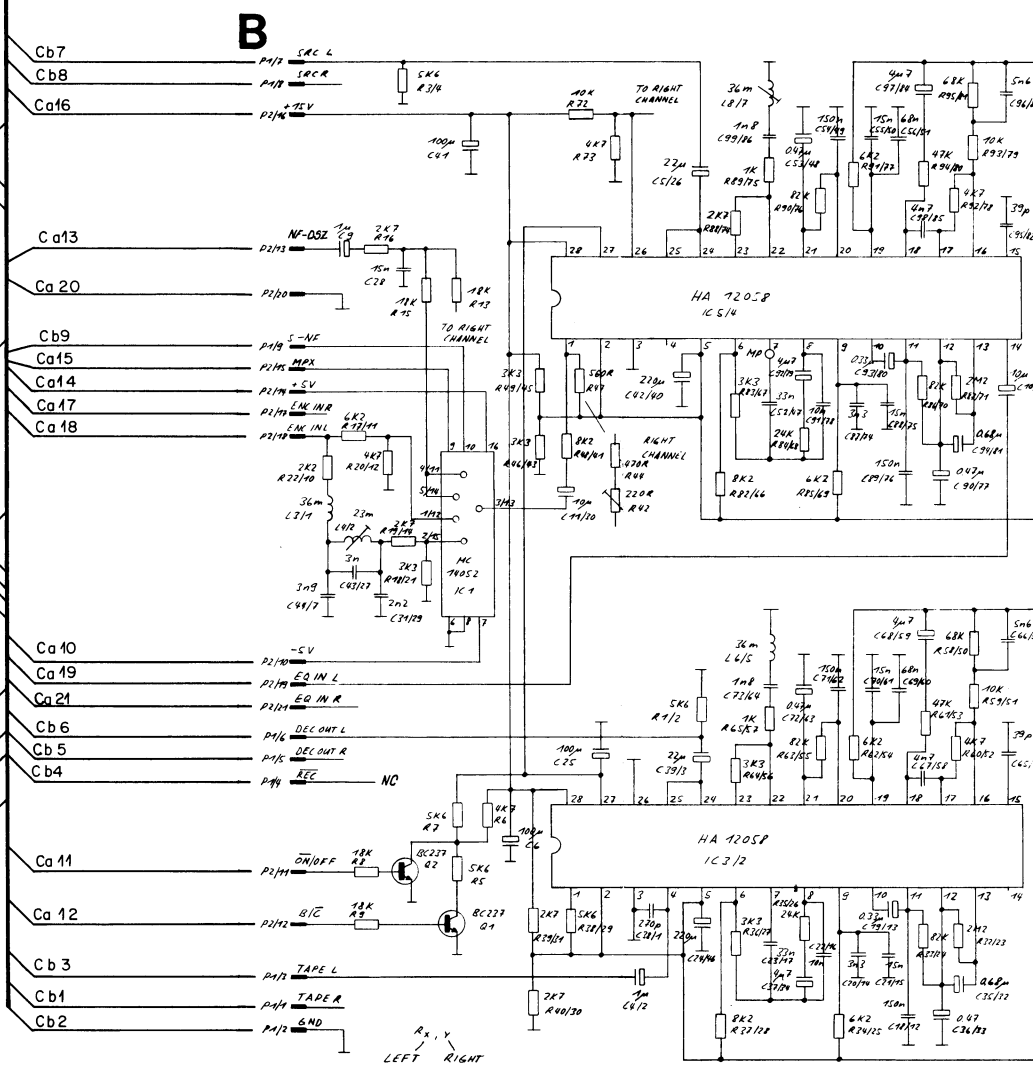
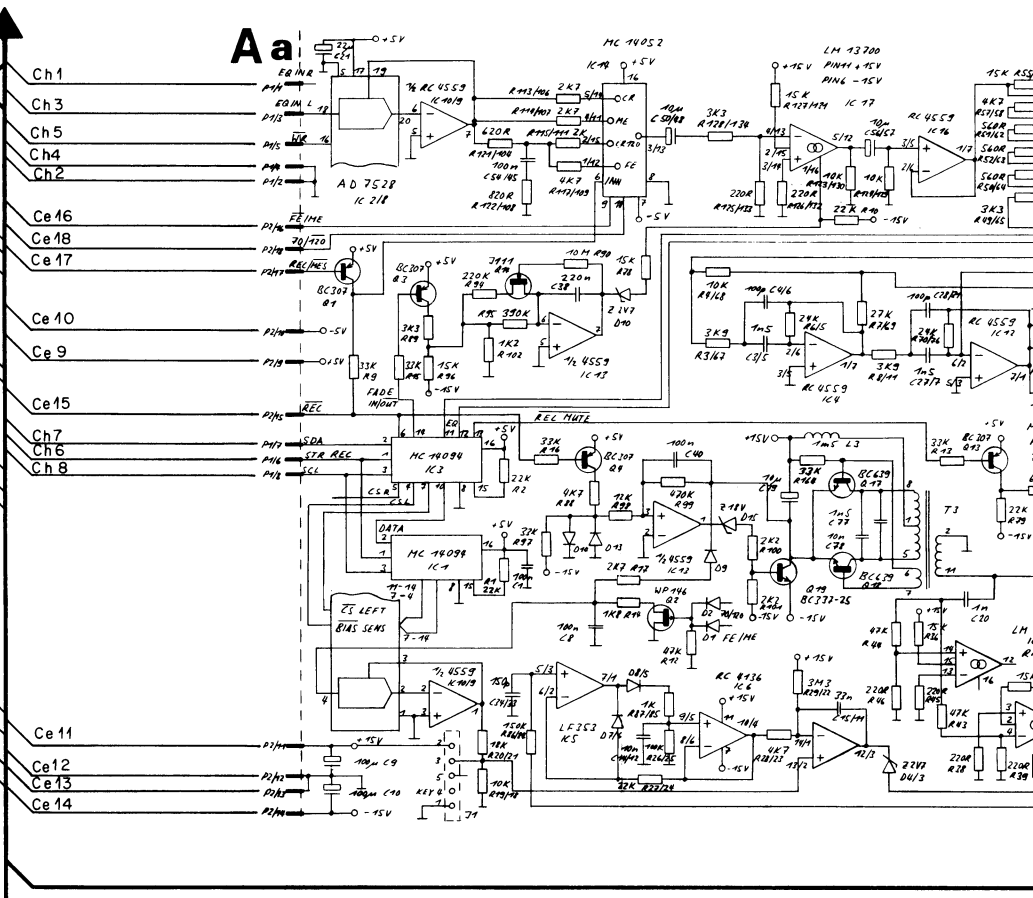
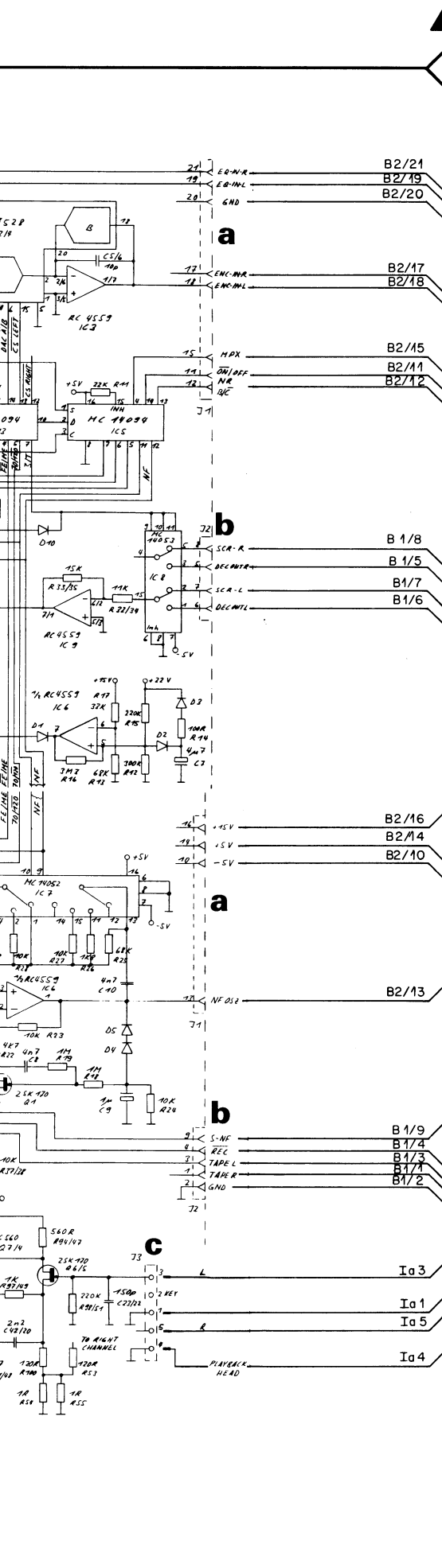
h

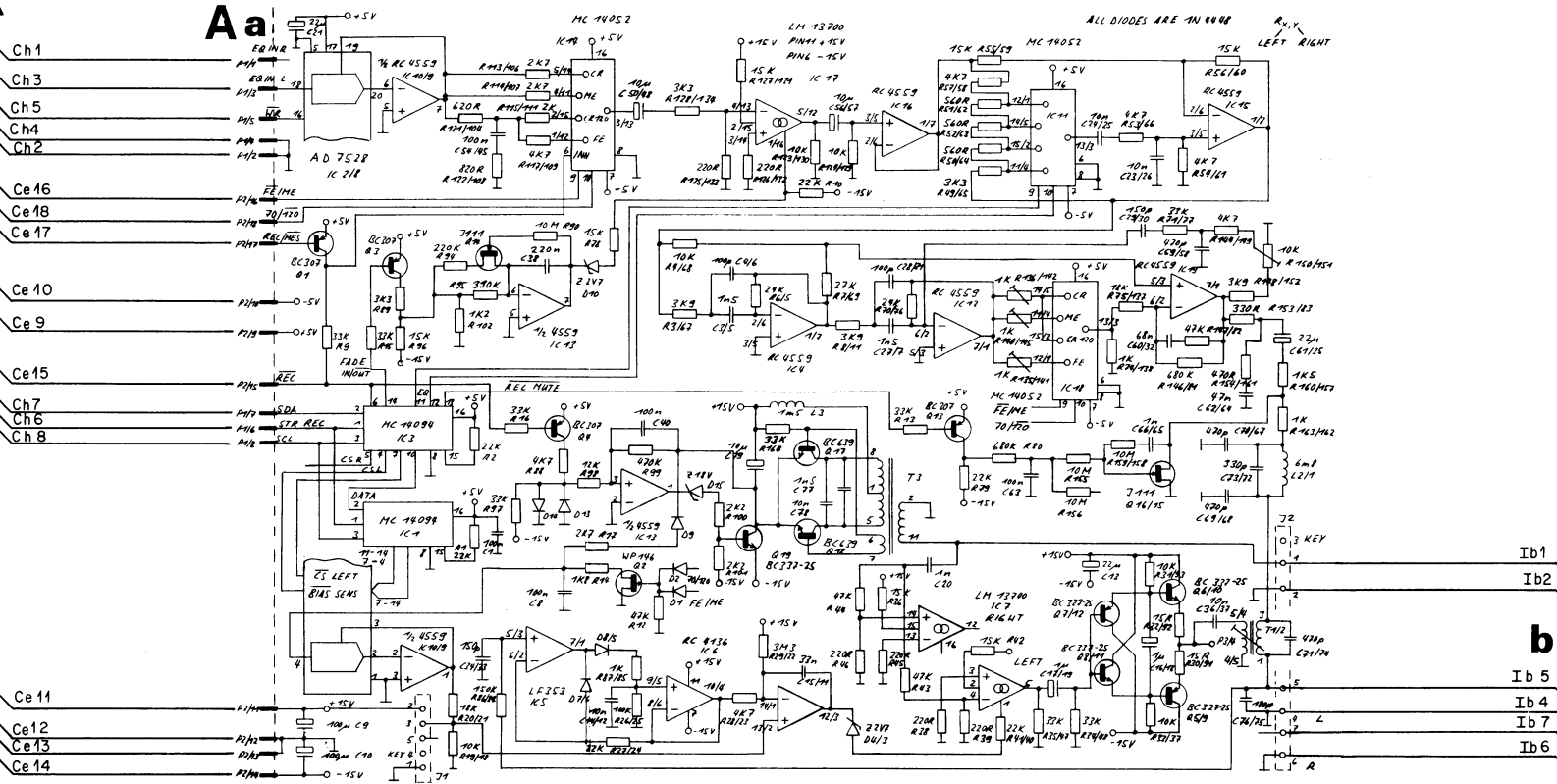
1.724.220

REVUX B215

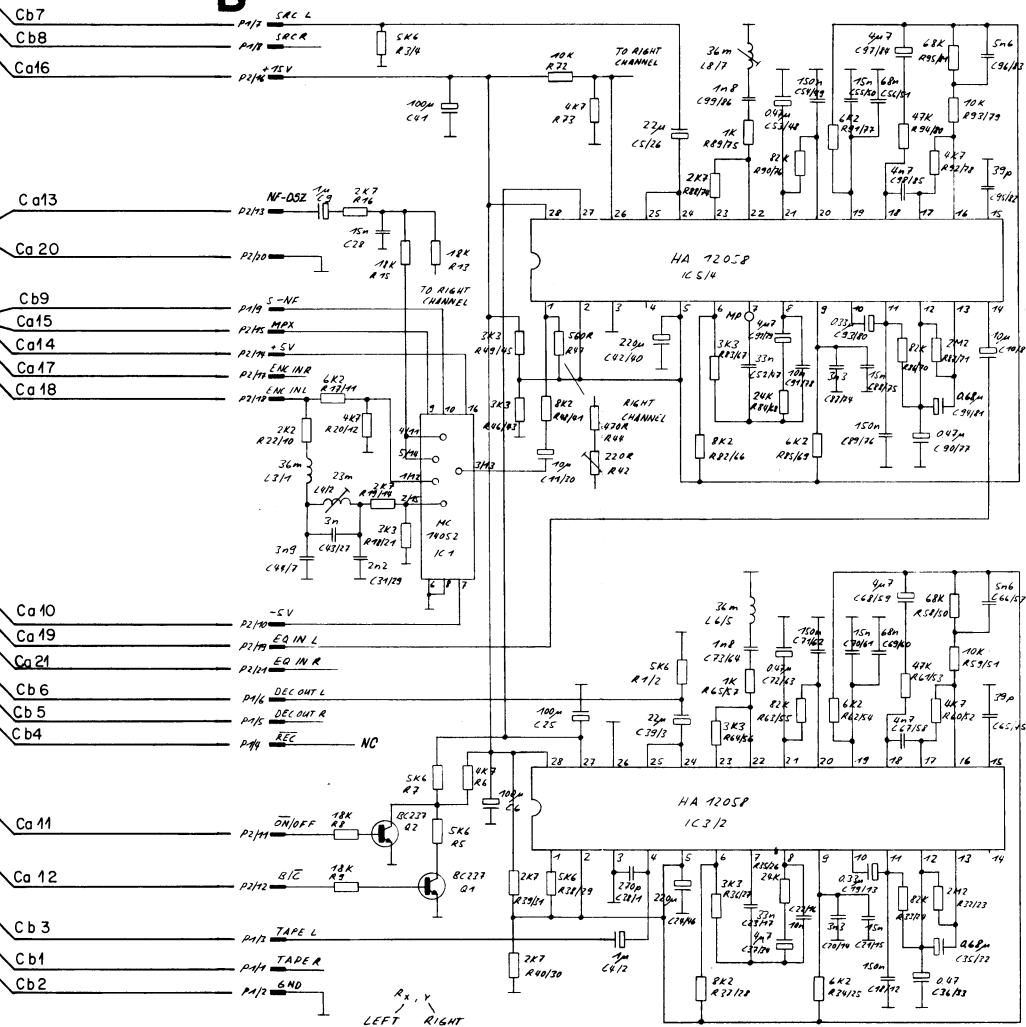
GESAMTSCHALTBIKD
COMPLETE CIRCUIT DIAGRAM
SCHEMA GÉNÉRAL

C

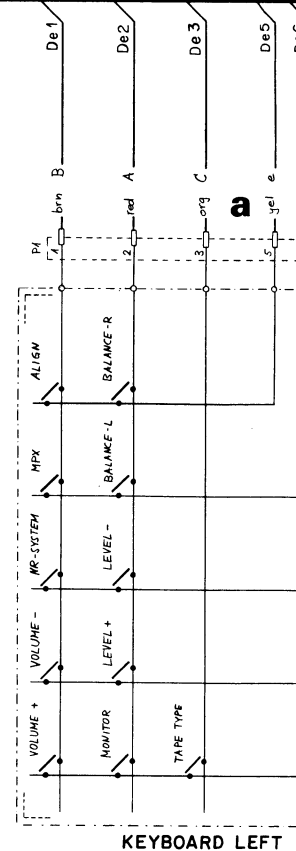
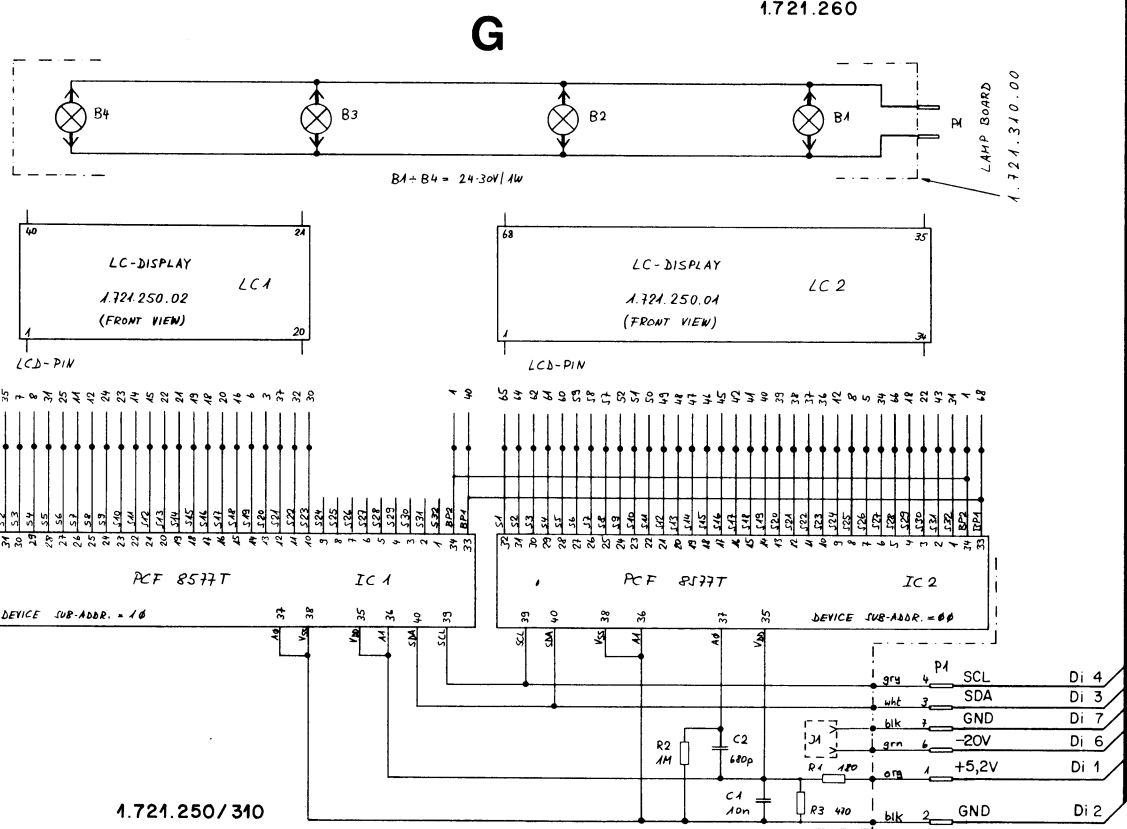
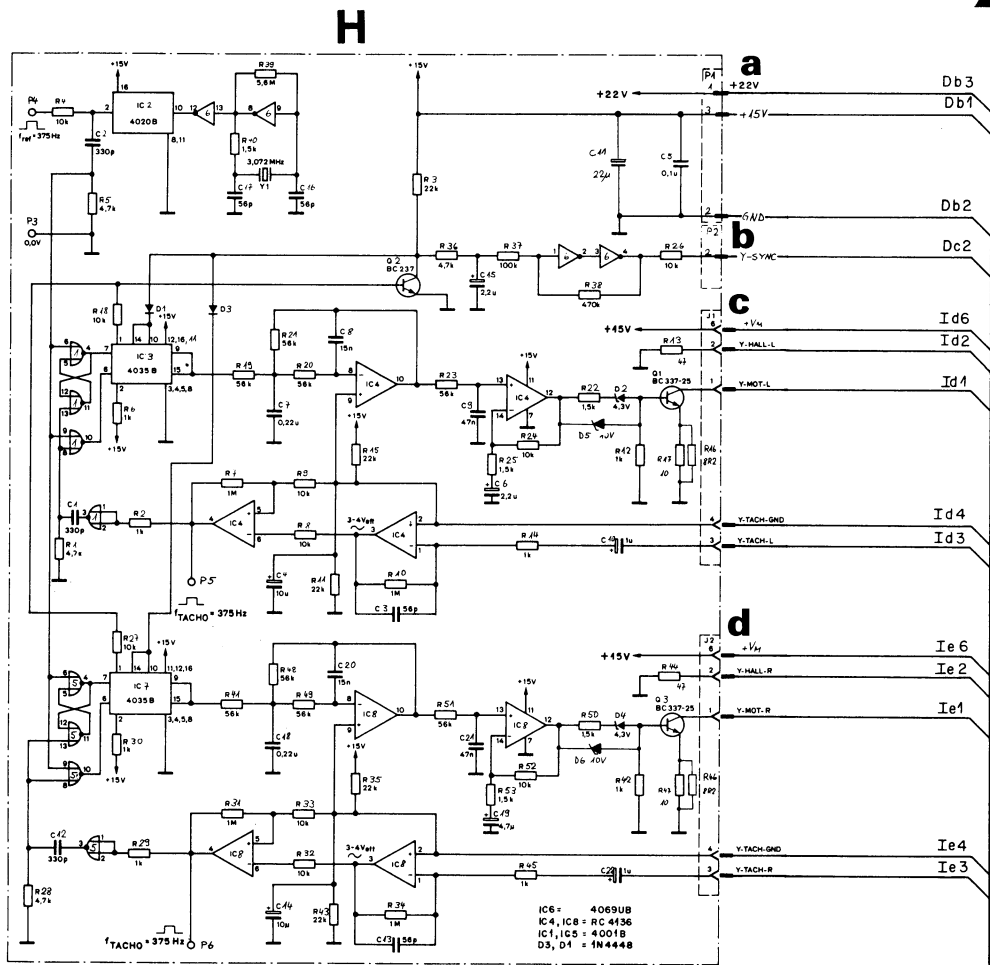


Aa

1.721.300

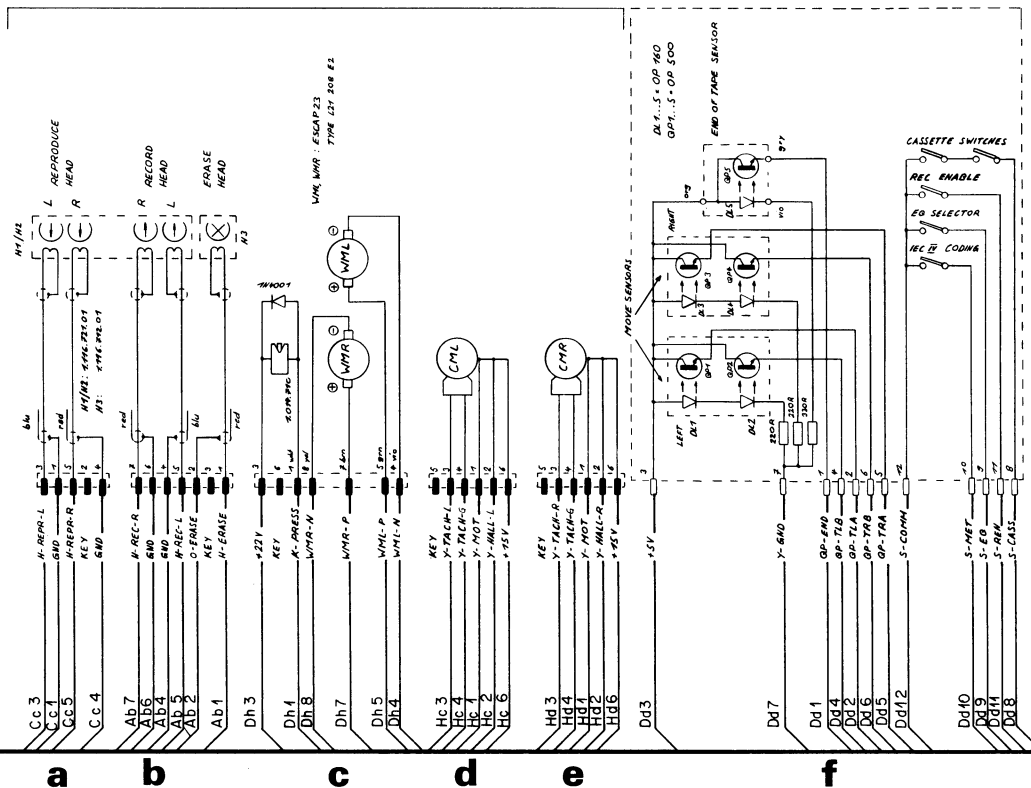
B

1.721.290



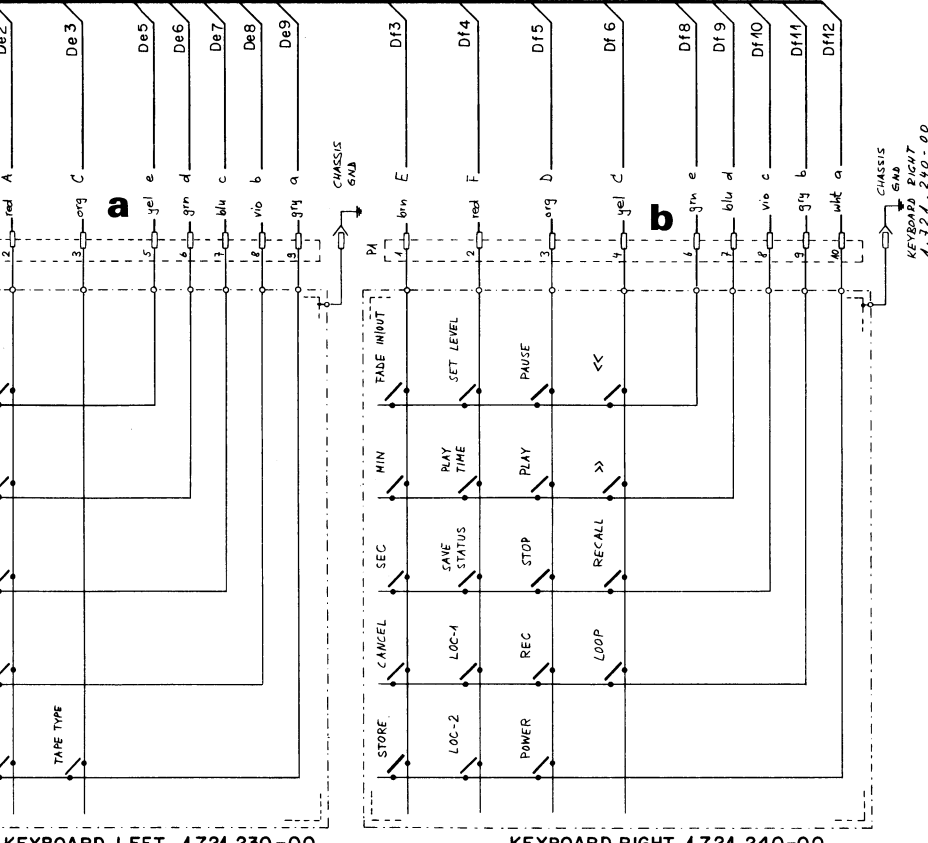
TAPE TRANSPORT CHASSIS
1.721.120

SENSOR FLEX BOARD
1.721.150



1.721.150.00

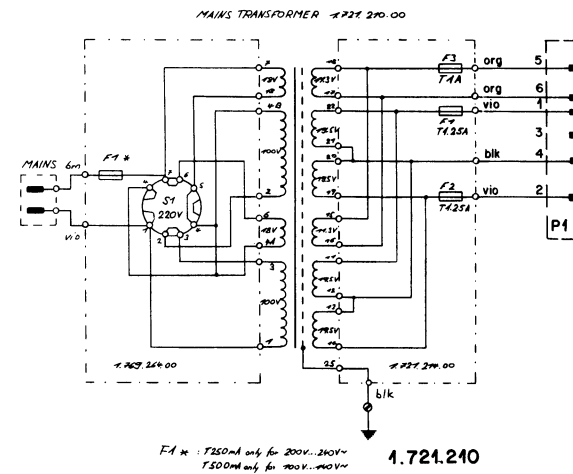
F



KEYBOARD LEFT 1.721.230-00

KEYBOARD RIGHT 1.721.240-00

E



FA #: T850 only for 200V..240V
T500 only for 100V..110V

1.721.210