

**GESAMTSCHALTBILD
COMPLETE CIRCUIT DIAGRAM
SCHEMA GÉNÉRAL**

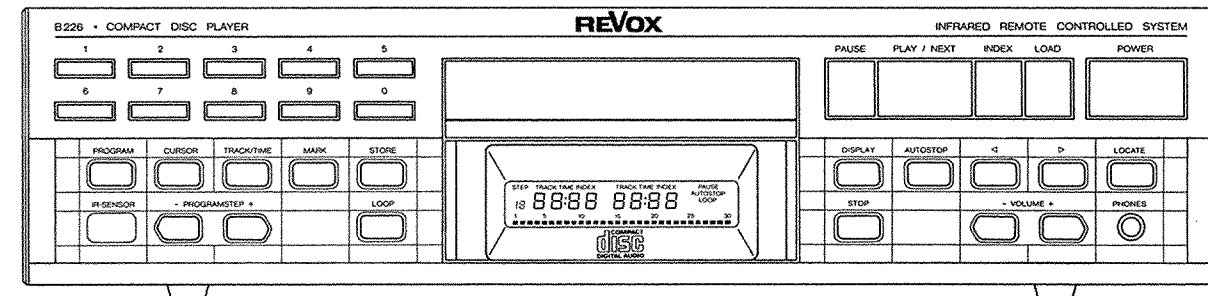
B226

Handling MOS components
MOS components are extremely sensitive to static charges. Please observe therefore the following regulations:

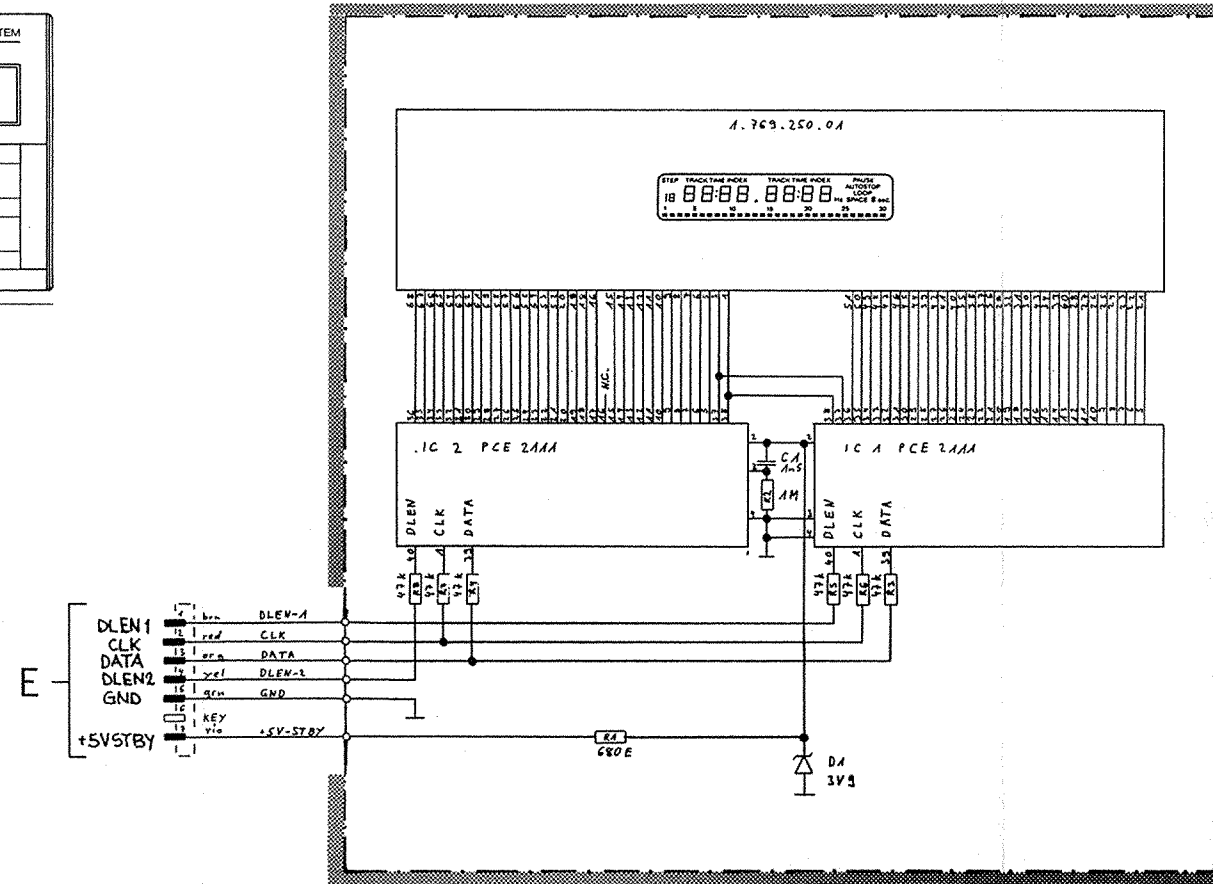
1. Components sensitive to static charges are stored and shipped in protective package. On the packages you find the subsequent symbol.
2. Avoid any contact of connector pins with foam packages and foils made of styrofoam or similar chargeable package material.
3. Don't touch the connector pins when your wrist is not grounded with a conducting wristlet.
4. Use a grounded conducting mat when working with sensitive components.
5. Never plug or unplug PCBs containing sensitive components when the machine is switched on.



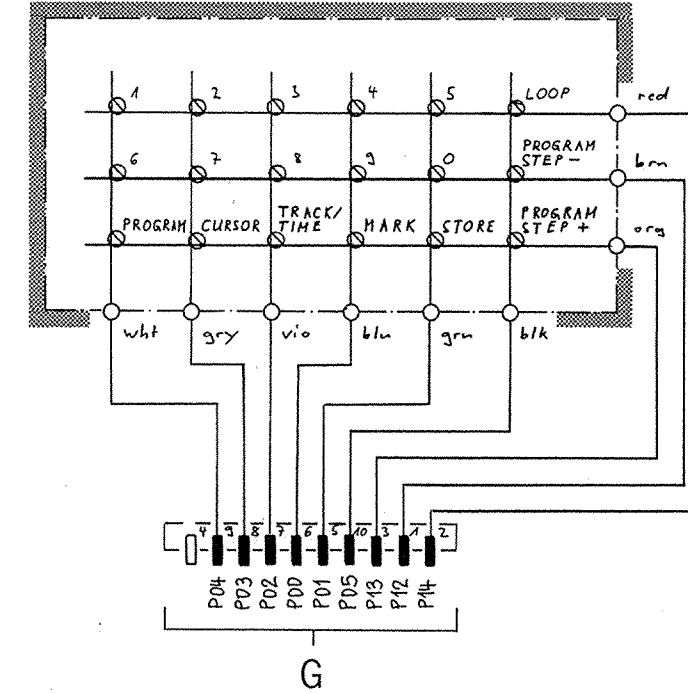
Subject to change
Copyright by WILLI STUDER AG
Printed in Switzerland
Order No. 10.30.0582 (Ed.1187)
REVOX is a registered trade mark of WILLI STUDER AG Regensdorf



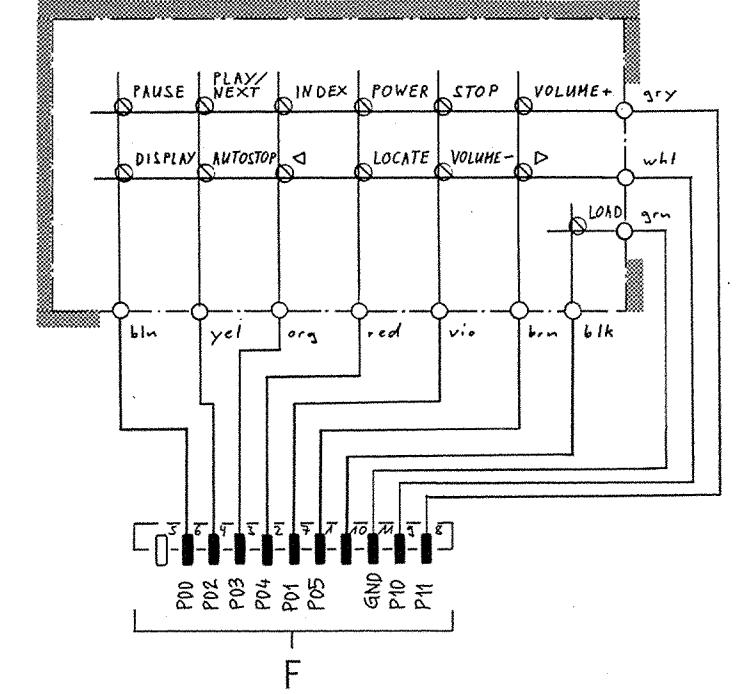
LCD BOARD 1.769.255



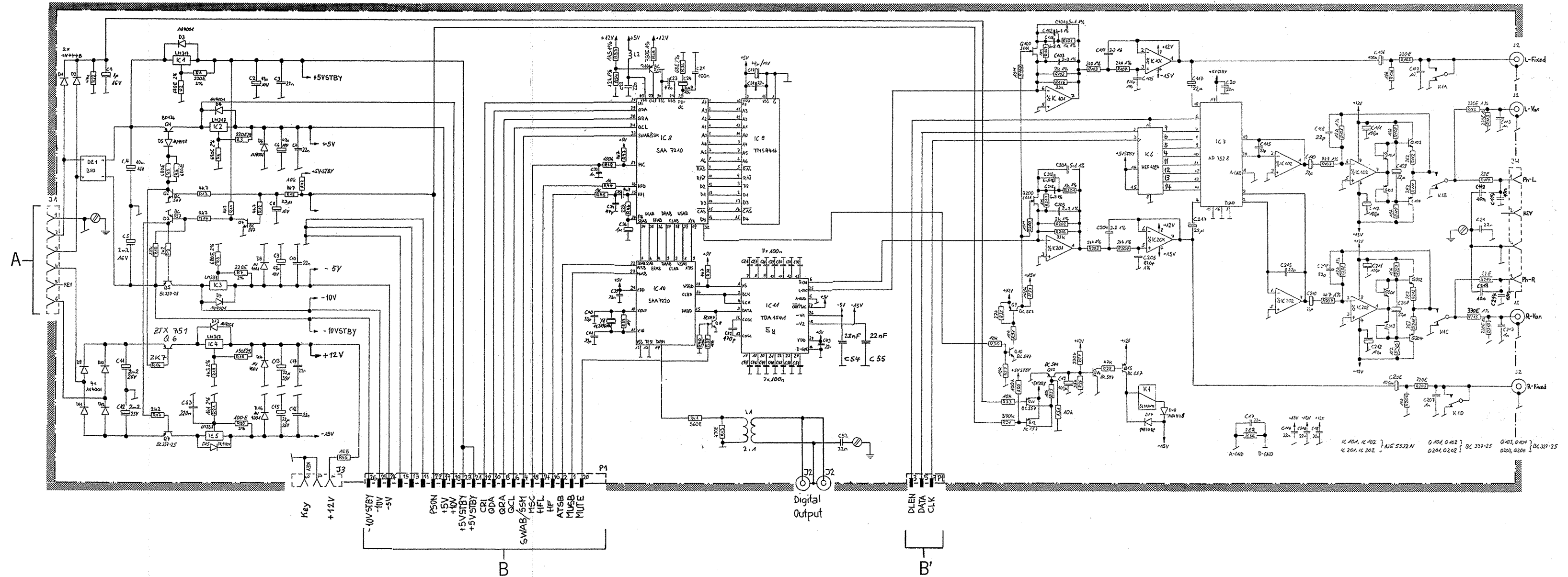
KEYBOARD LEFT 1.769.215



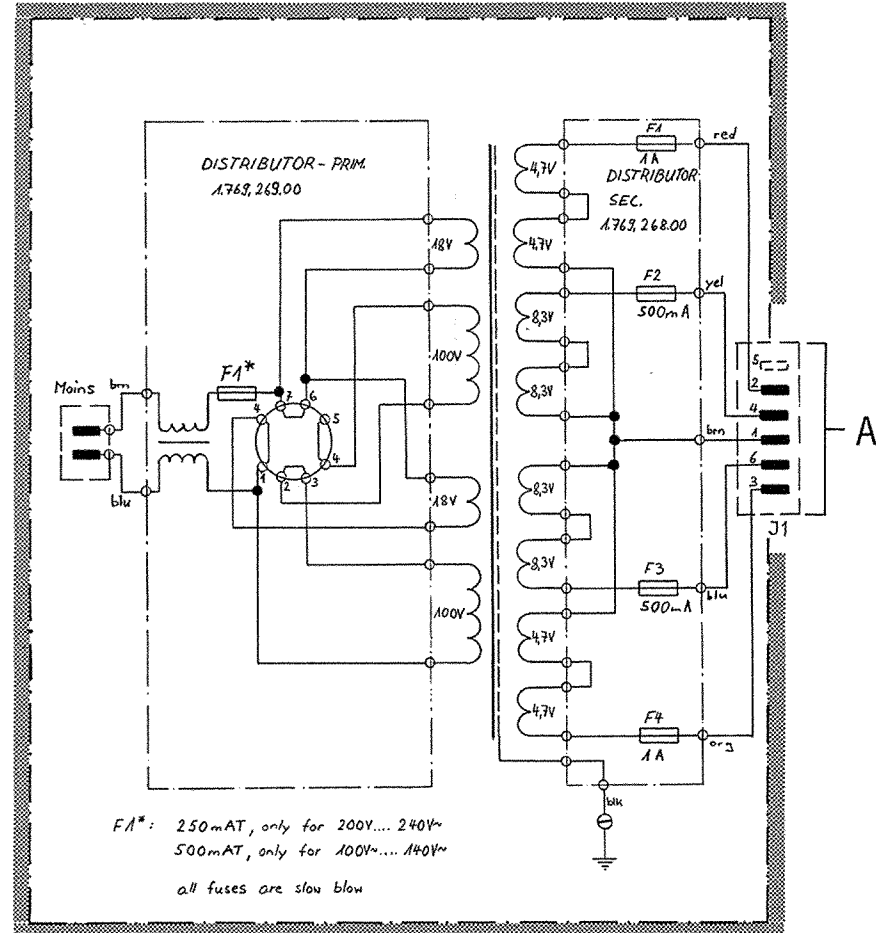
KEYBOARD RIGHT 1.769.202



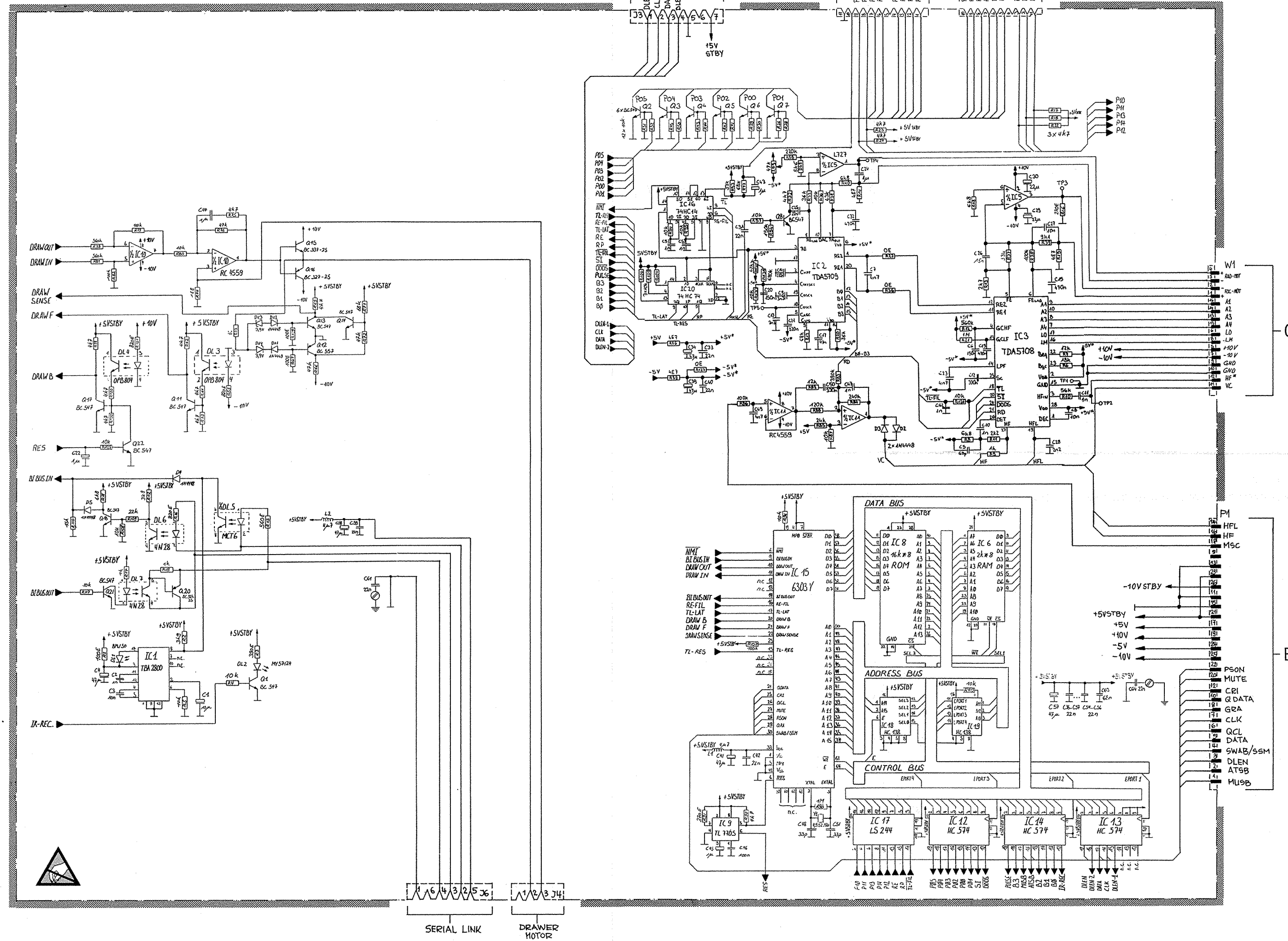
DECODER BOARD 1.769.420



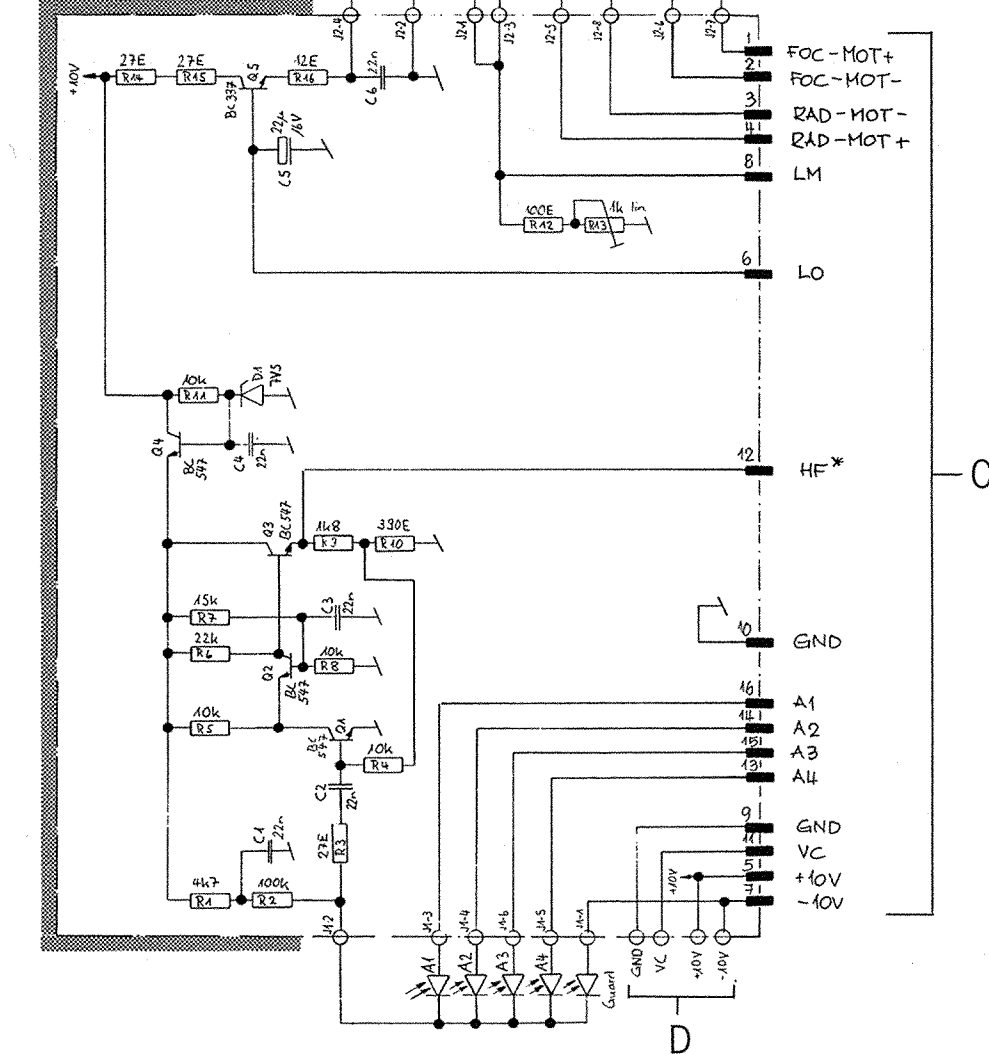
MAINS SECTION 1.769.265



SERVO BOARD 1.769.400



CD DRIVE BOARD 1.769.116



DISC MOTOR BOARD

