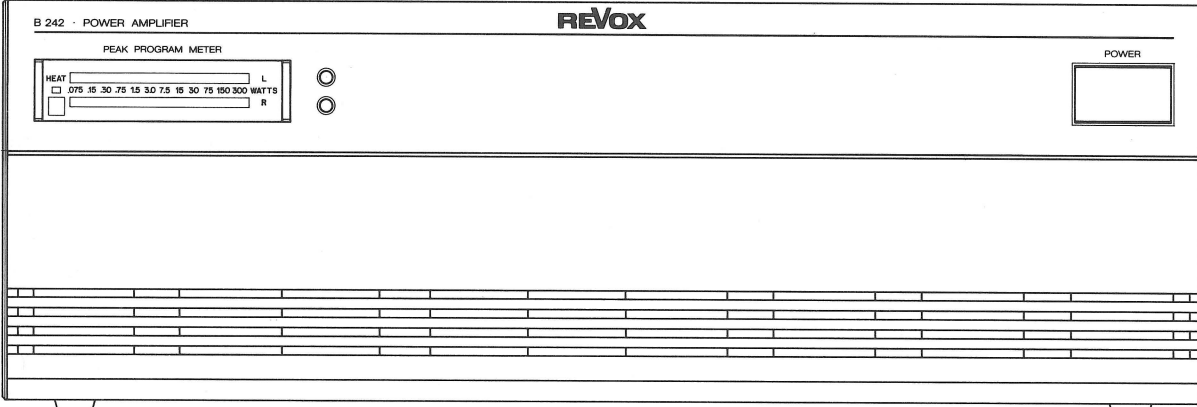


**GESAMTSCHALTBILD  
COMPLETE CIRCUIT DIAGRAM  
SCHÉMA GÉNÉRAL**

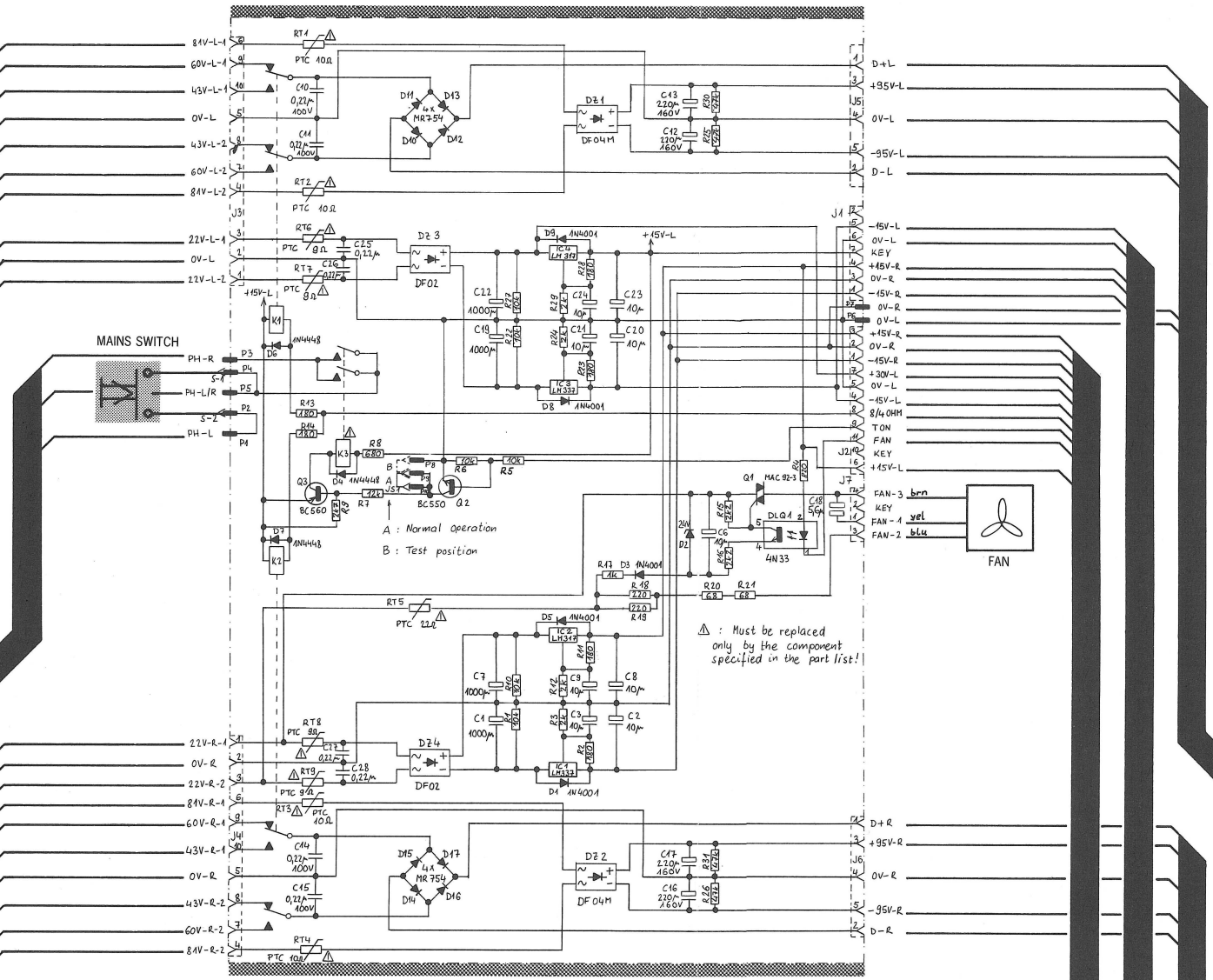
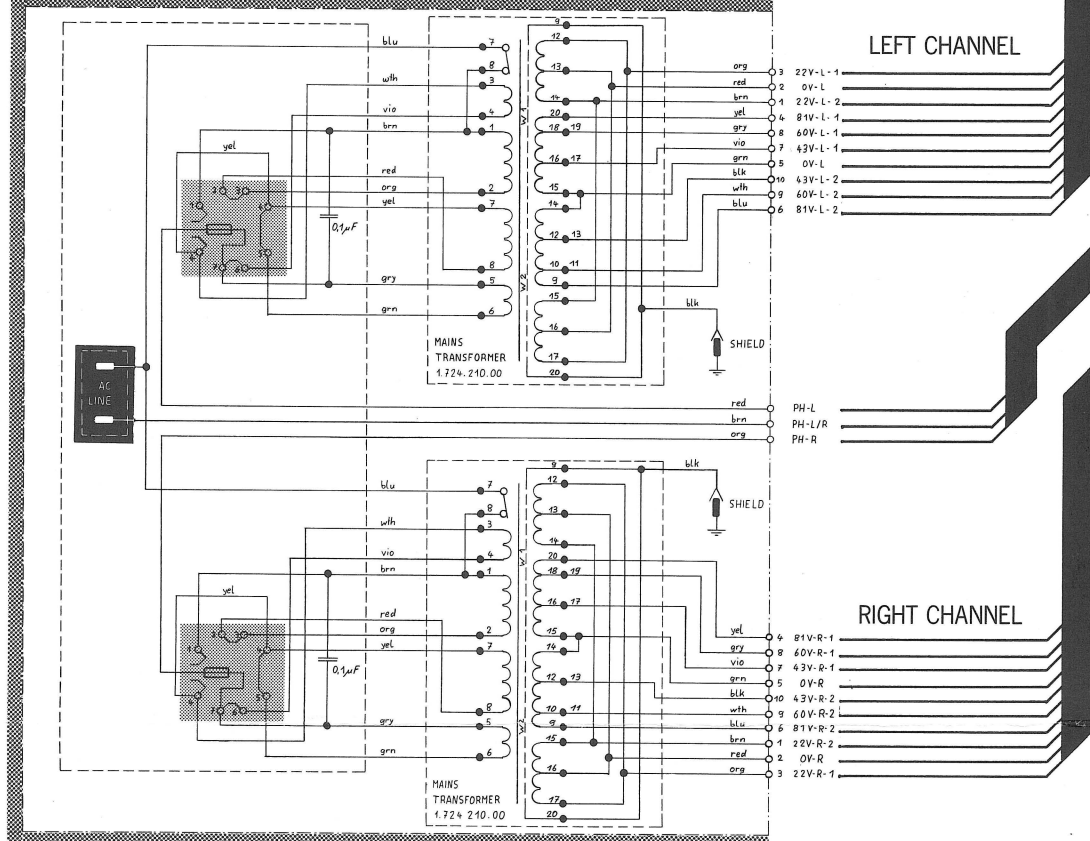
# B242

**Handling MOS components**  
MOS components are extremely sensitive to static charges. Please observe therefore the following regulations:  
1. Components sensitive to static charges are stored and shipped in protective packages. On the packages you find the subsequent symbol.  
2. Avoid any contact of connector pins with foam packages and foils made of styro-por or similar chargeable package material.  
3. Don't touch the connector pins when your wrist is not grounded with a conducting wristlet.  
4. Use a grounded conducting mat when working with sensitive components.  
5. Never plug or unplug PCBs containing sensitive components when the machine is switched on.

Subject to change  
Copyright by WILLI STUDER AG  
Printed in Switzerland  
Order No. 10.30.560 (Ed. 0286)

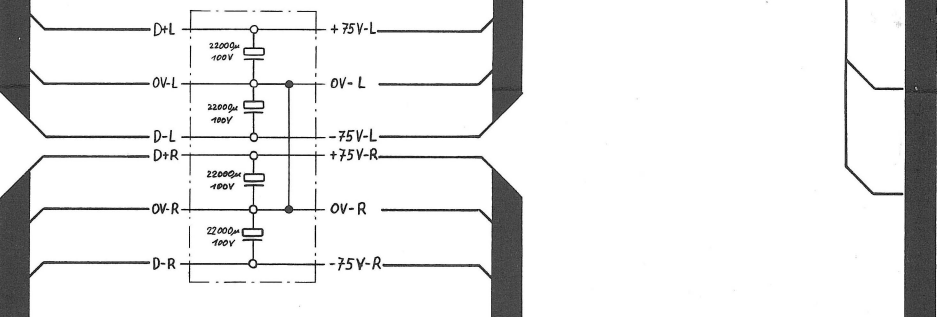
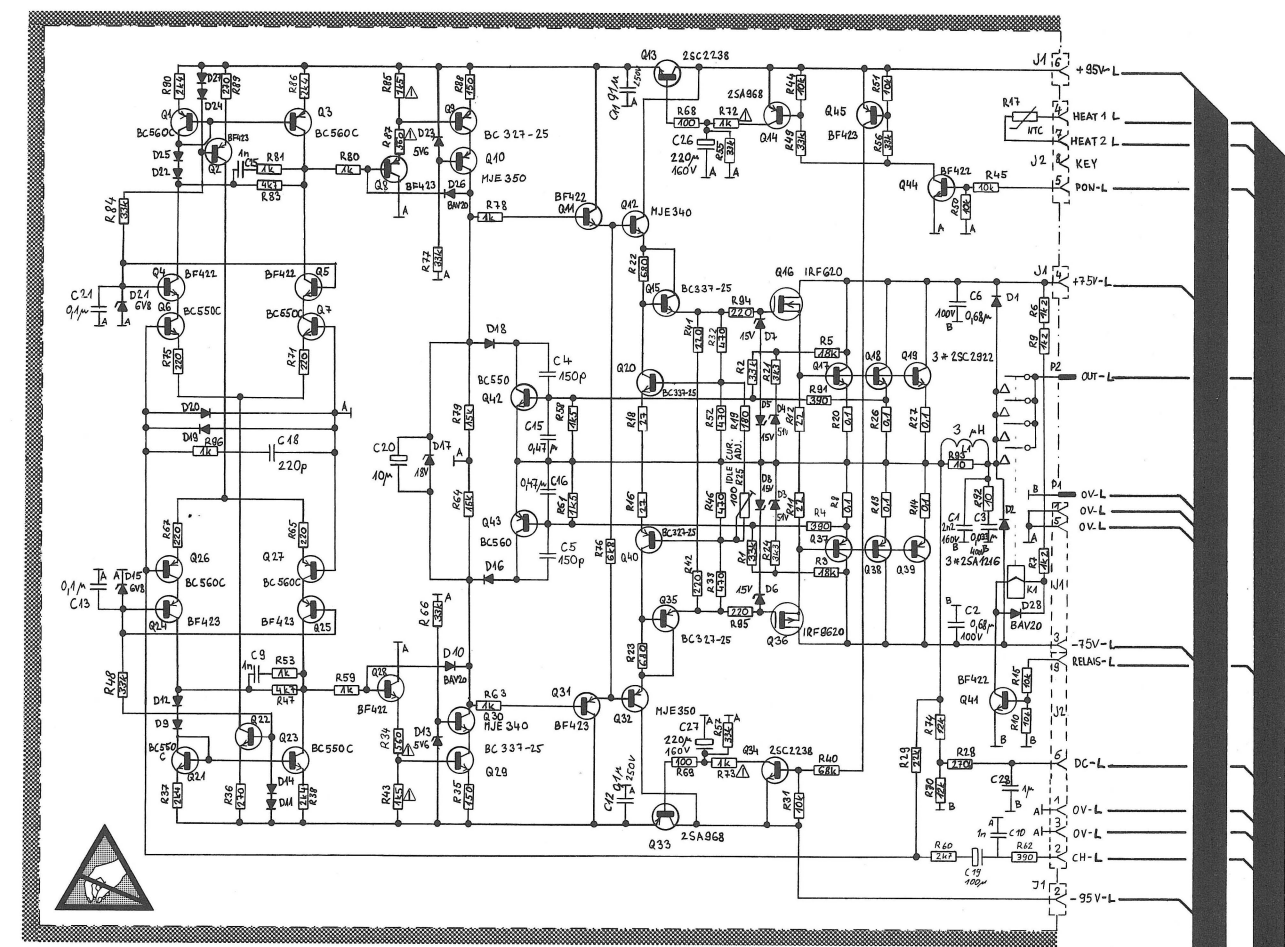


**MAINS SECTION**

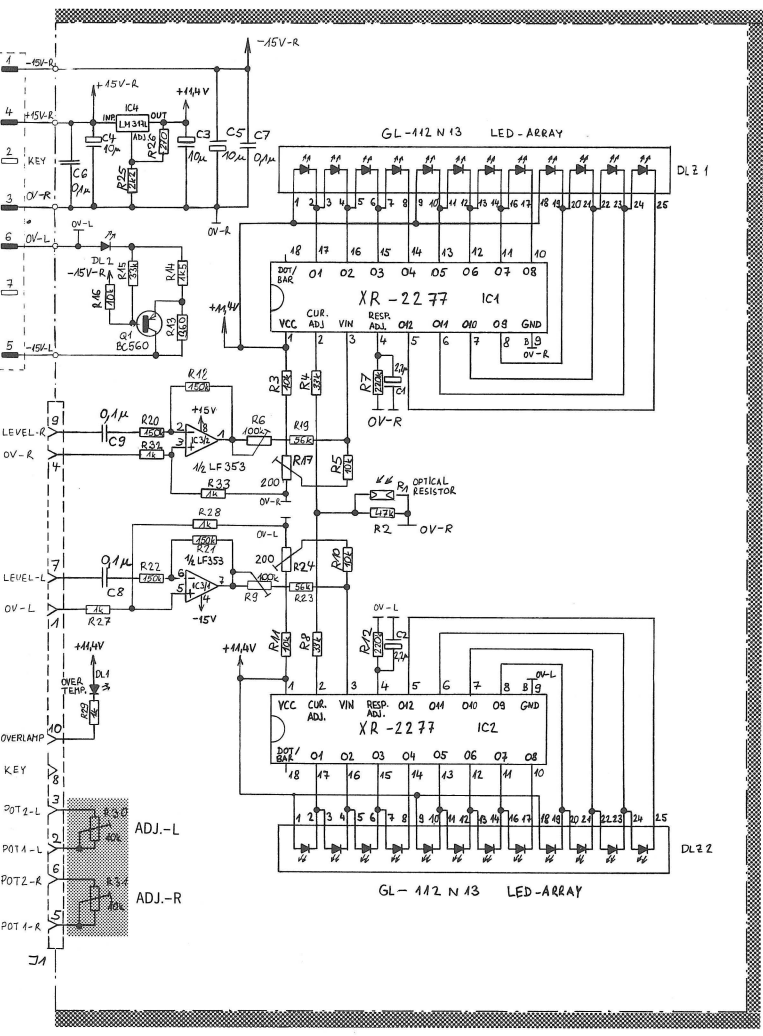


**POWER SUPPLY BOARD 1.724.240**

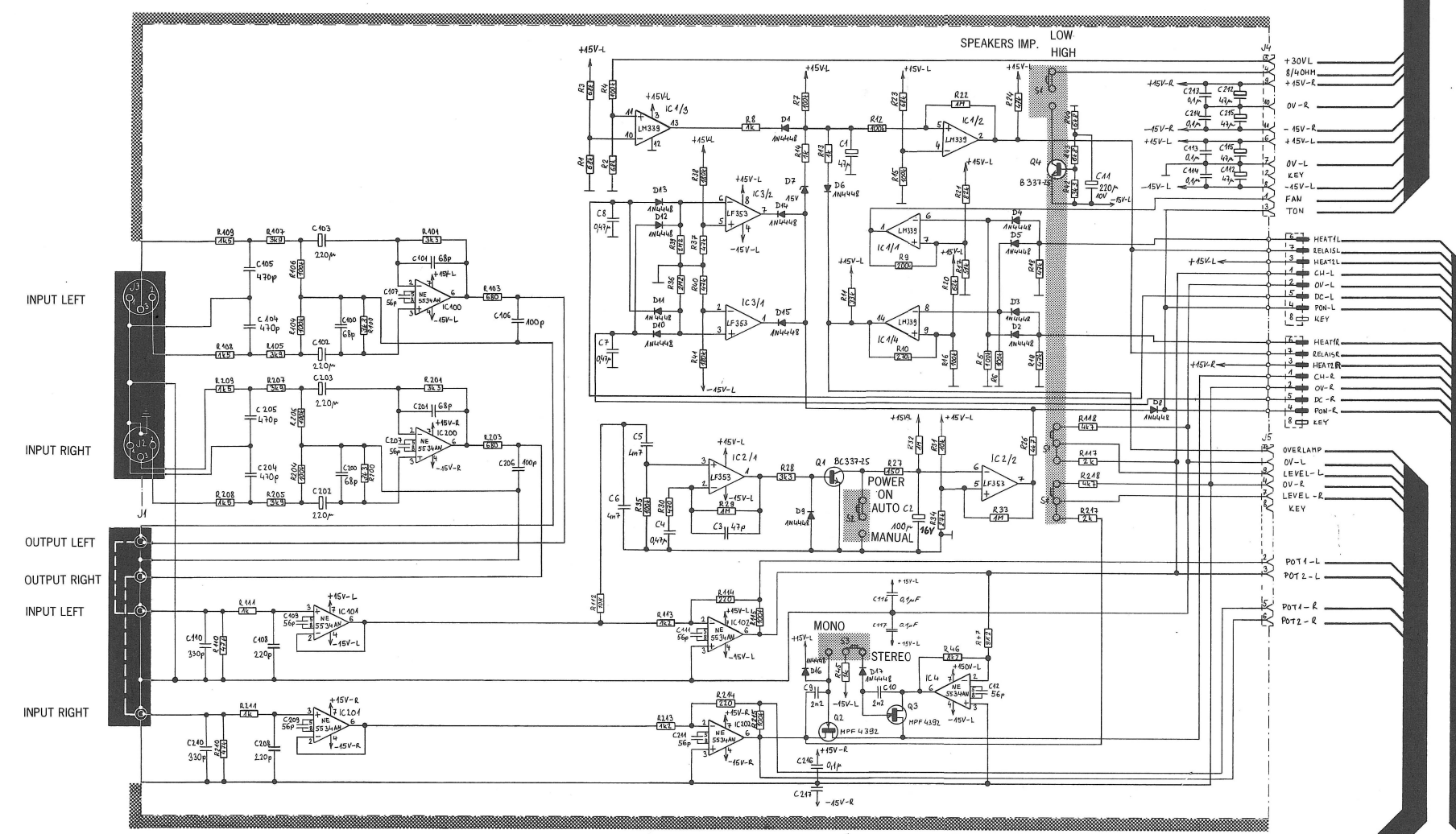
**POWER AMPLIFIER BOARD LEFT 1.724.280**



**LEVEL METER BOARD 1.724.250**



**INPUT AMPLIFIER BOARD 1.724.260**



**POWER AMPLIFIER BOARD RIGHT 1.724.280**

