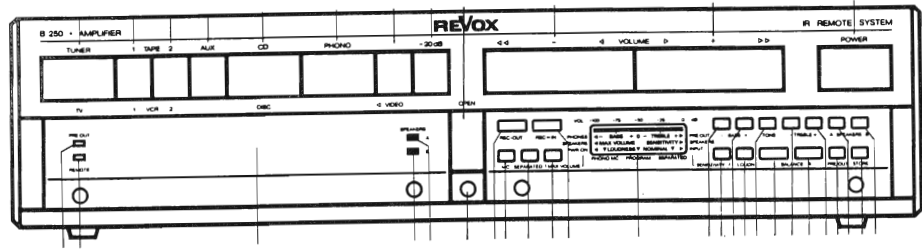


**GESAMTSCHALTBIKD
COMPLETE CIRCUIT DIAGRAM
SCHÉMA GÉNÉRAL**

B250



Handling MOS components

MOS components are extremely sensitive to static charges. Please observe therefore the following regulations:
1. Components sensitive to static charges are stored and shipped in protective package. On the packages you find the subsequent symbol.



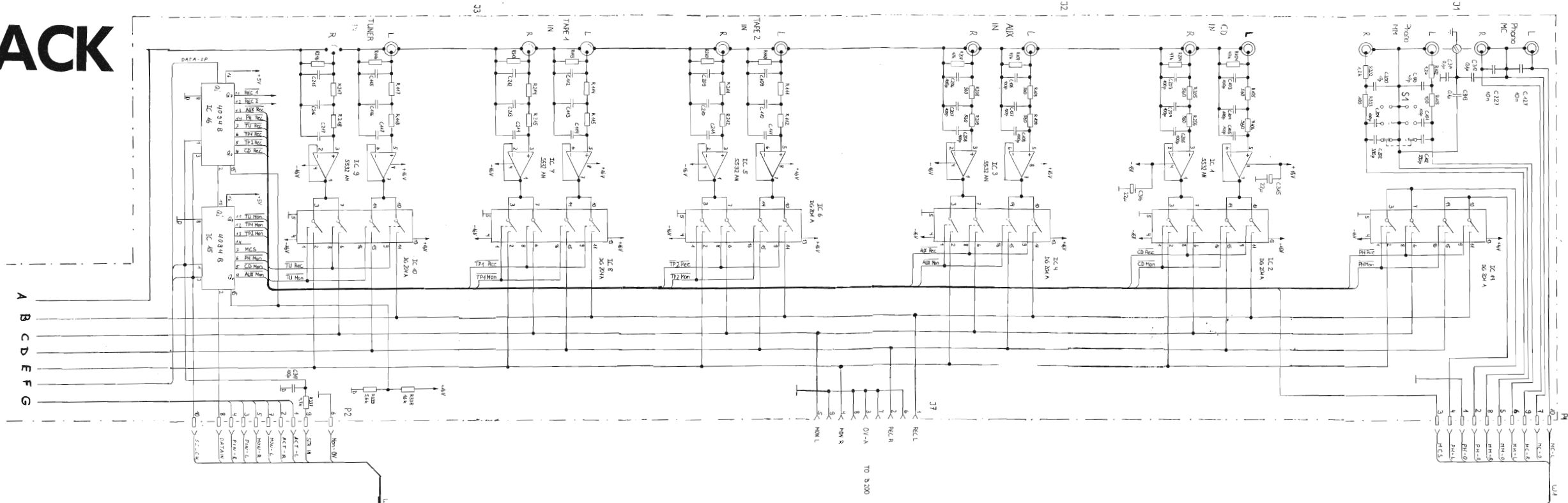
2. Avoid any contact of connector pins with foam packages and foils made of styrofoam or similar chargeable package material.
3. Don't touch the connector pins when your wrist is not grounded with a conducting wristlet.

4. Use a grounded conducting mat when working with sensitive components.
5. Never plug or unplug PCBs containing sensitive components when the machine is switched on.

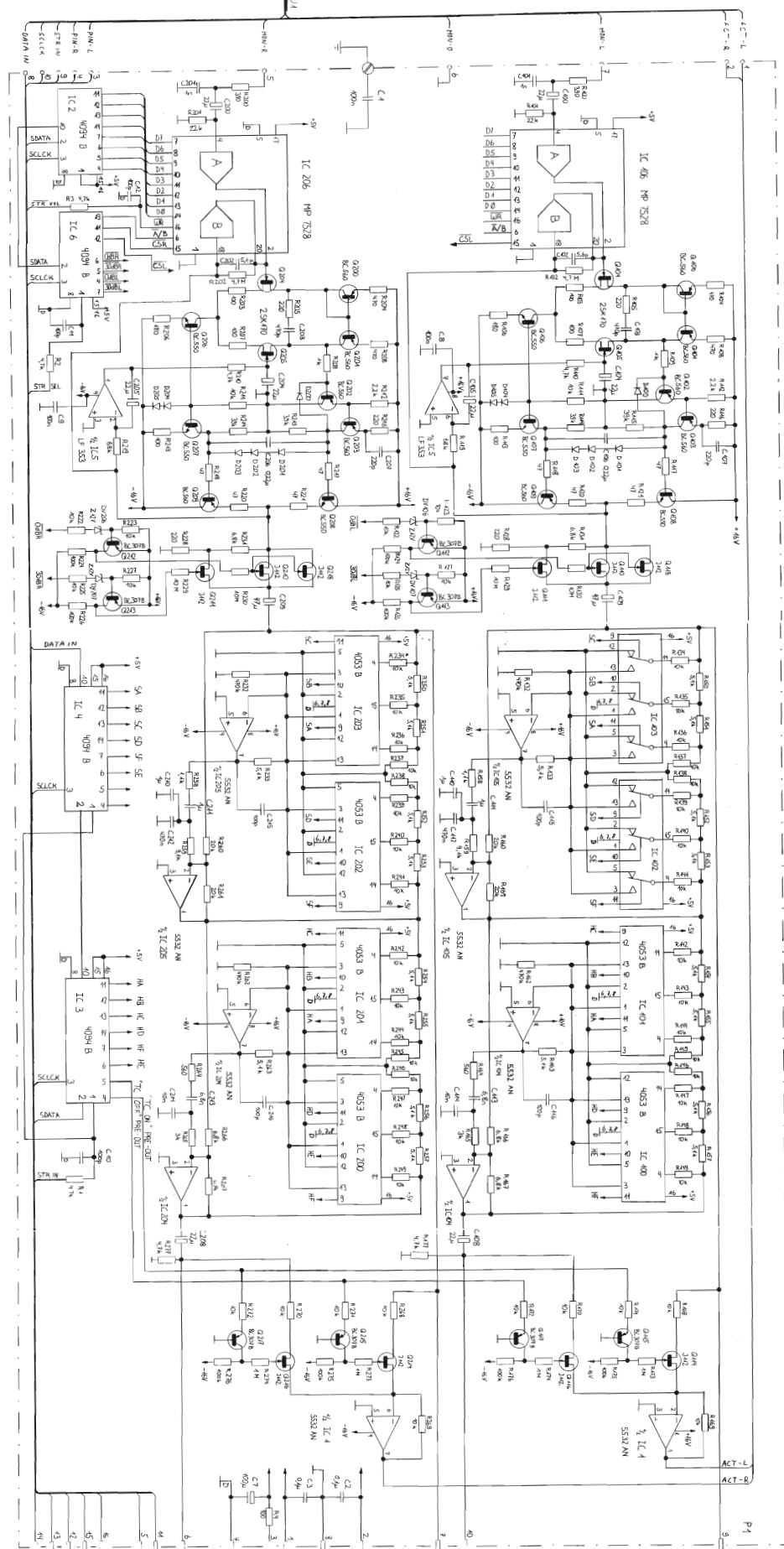
Subject to change
Copyright by WILLI STUDER AG
Printed in Switzerland
Order No.10.30.560 (Ed. 0286)

BACK

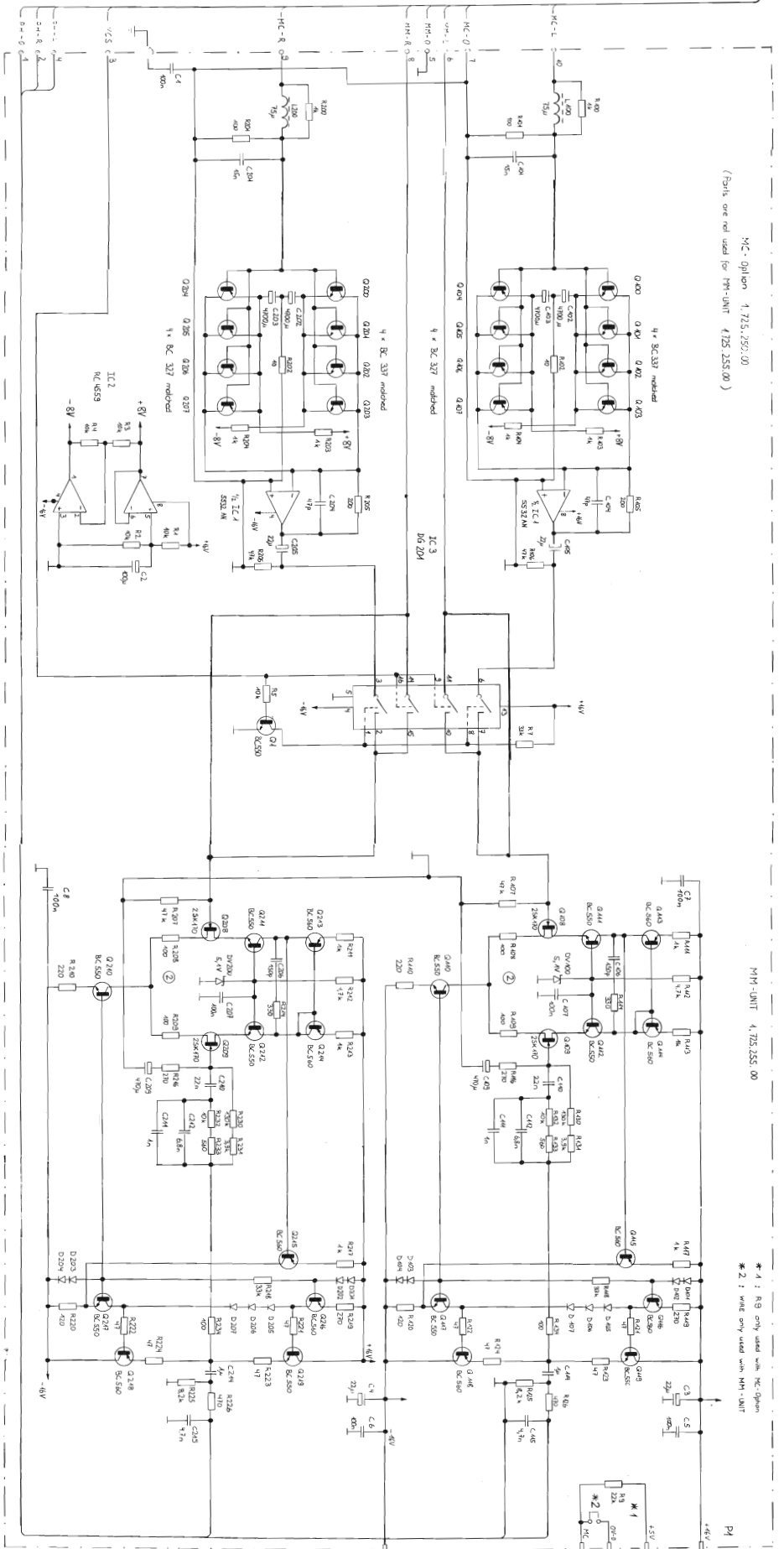
To left side



INPUT-OUTPUT UNIT
1.725.241.00



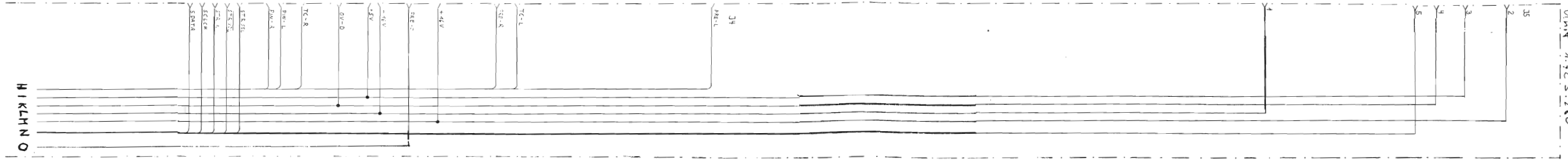
PREAMPLIFIER 1.725.260.00



PHONO UNIT 1.725.250.00

**RIGHT
SIDE**

To left side

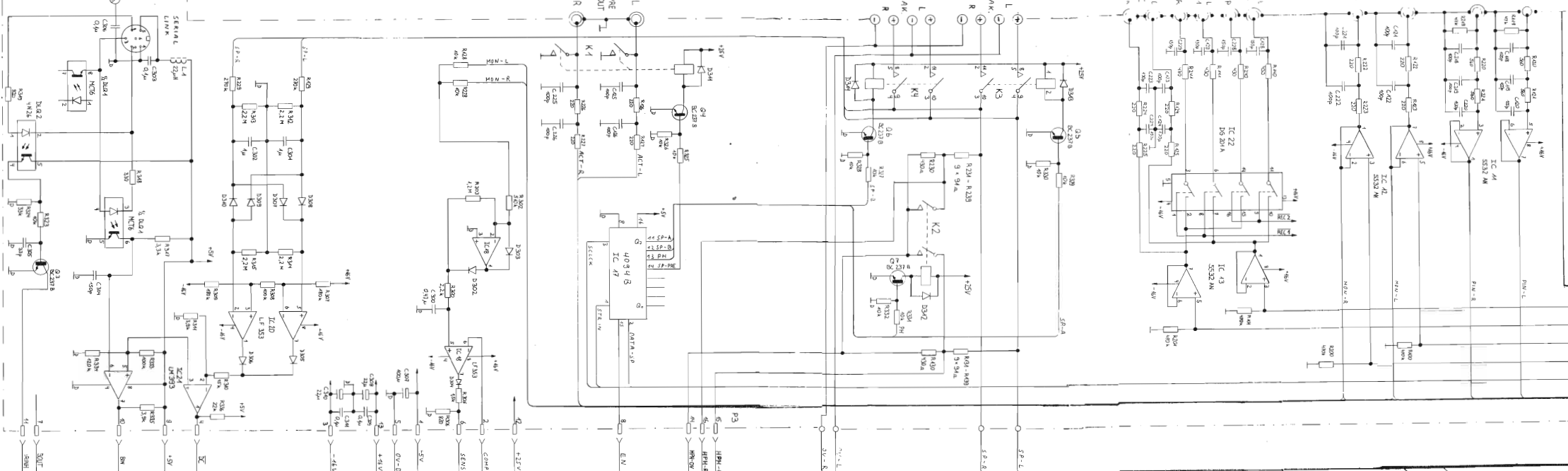


INTER CONNECTION
1.725.270.00

BACK

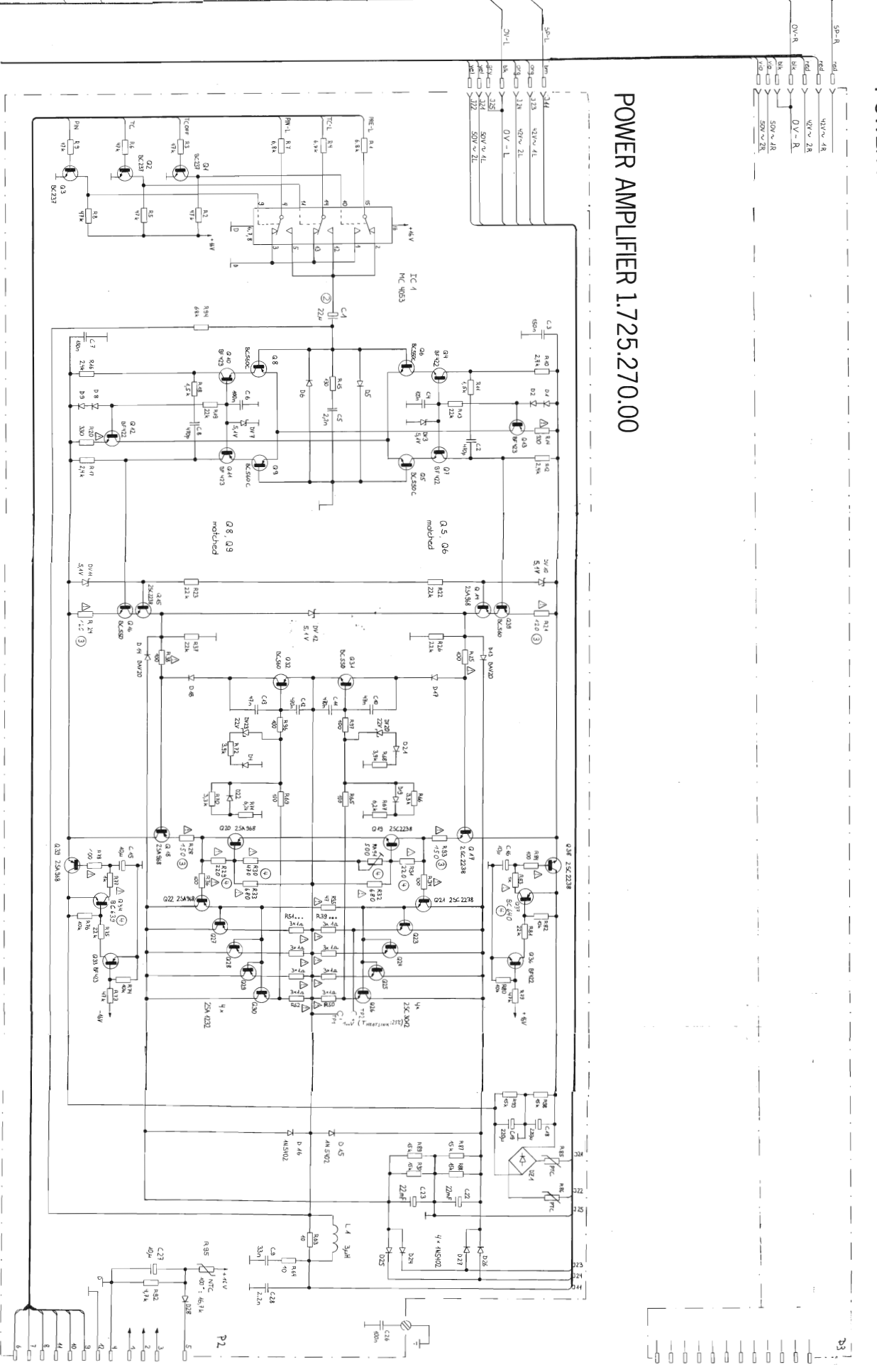
INPUT-OUTPUT UNIT
1.725.241.00

To right side



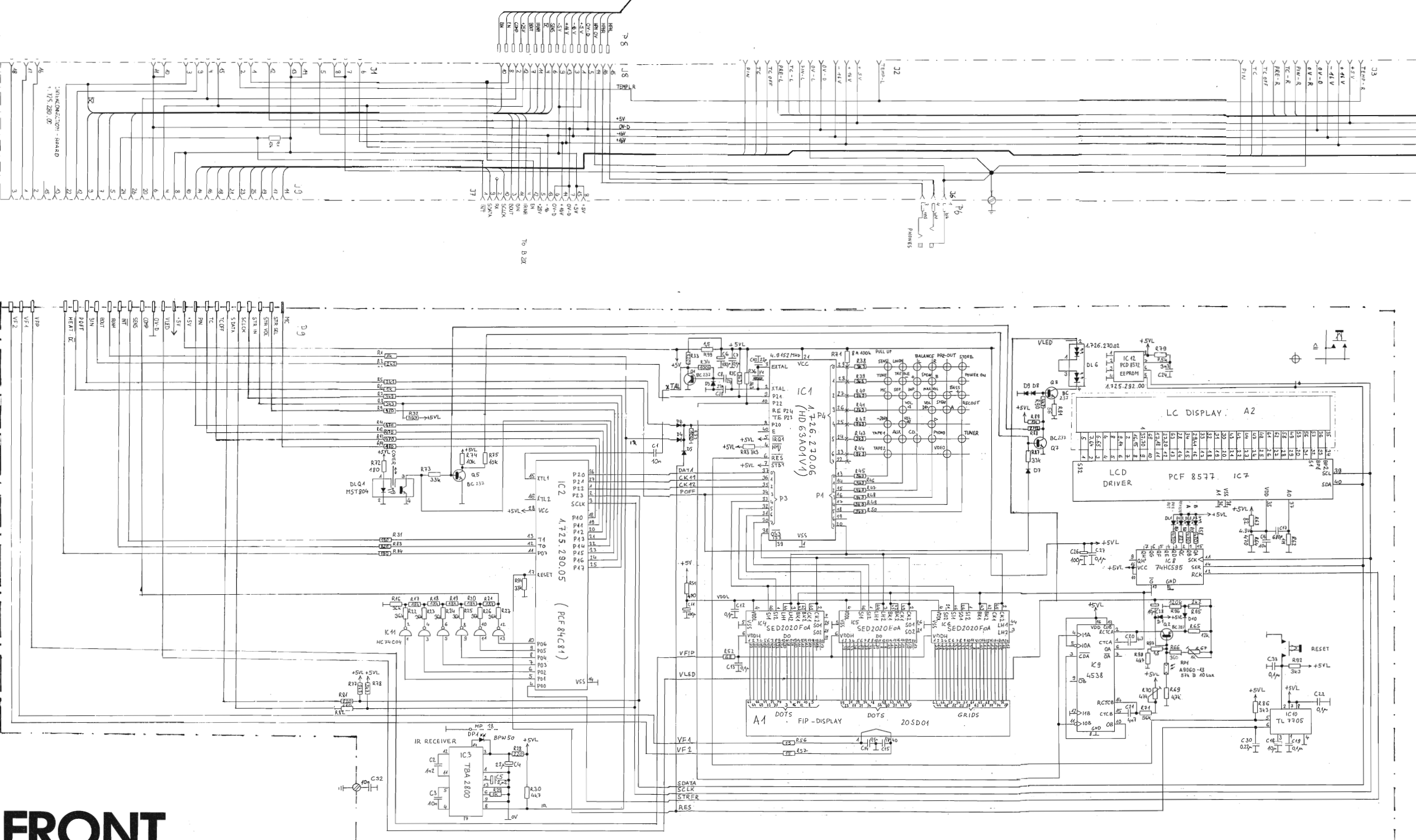
POWER AMPLIFIER 1.725.270.00

POWER AMPLIFIER 1.725.270.00

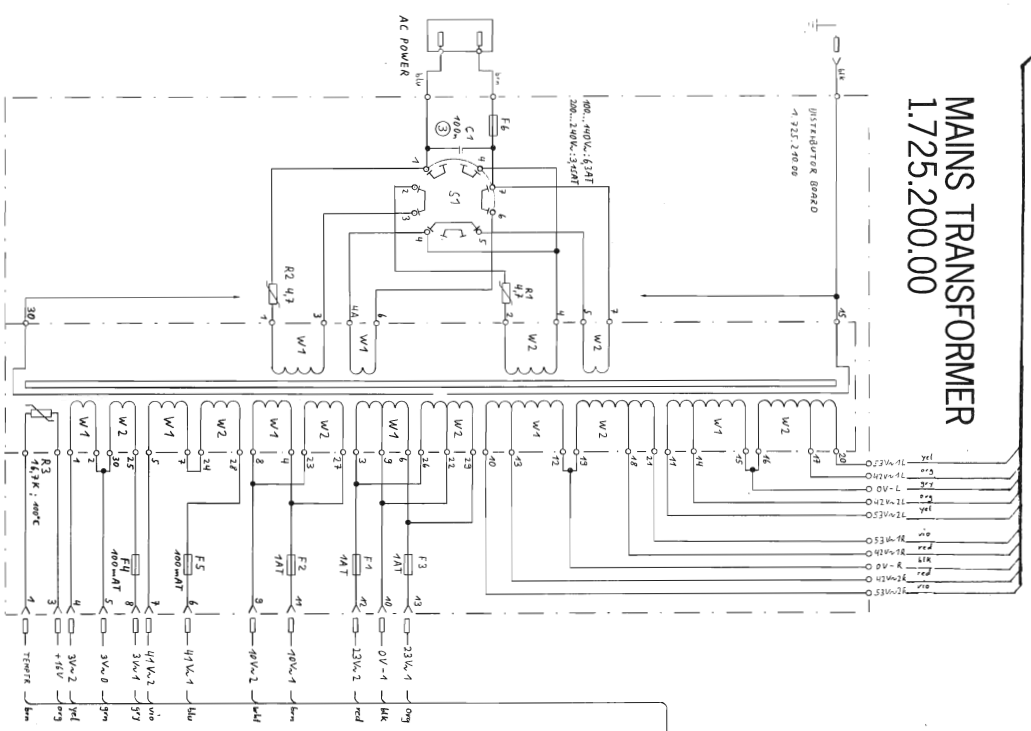


To right side

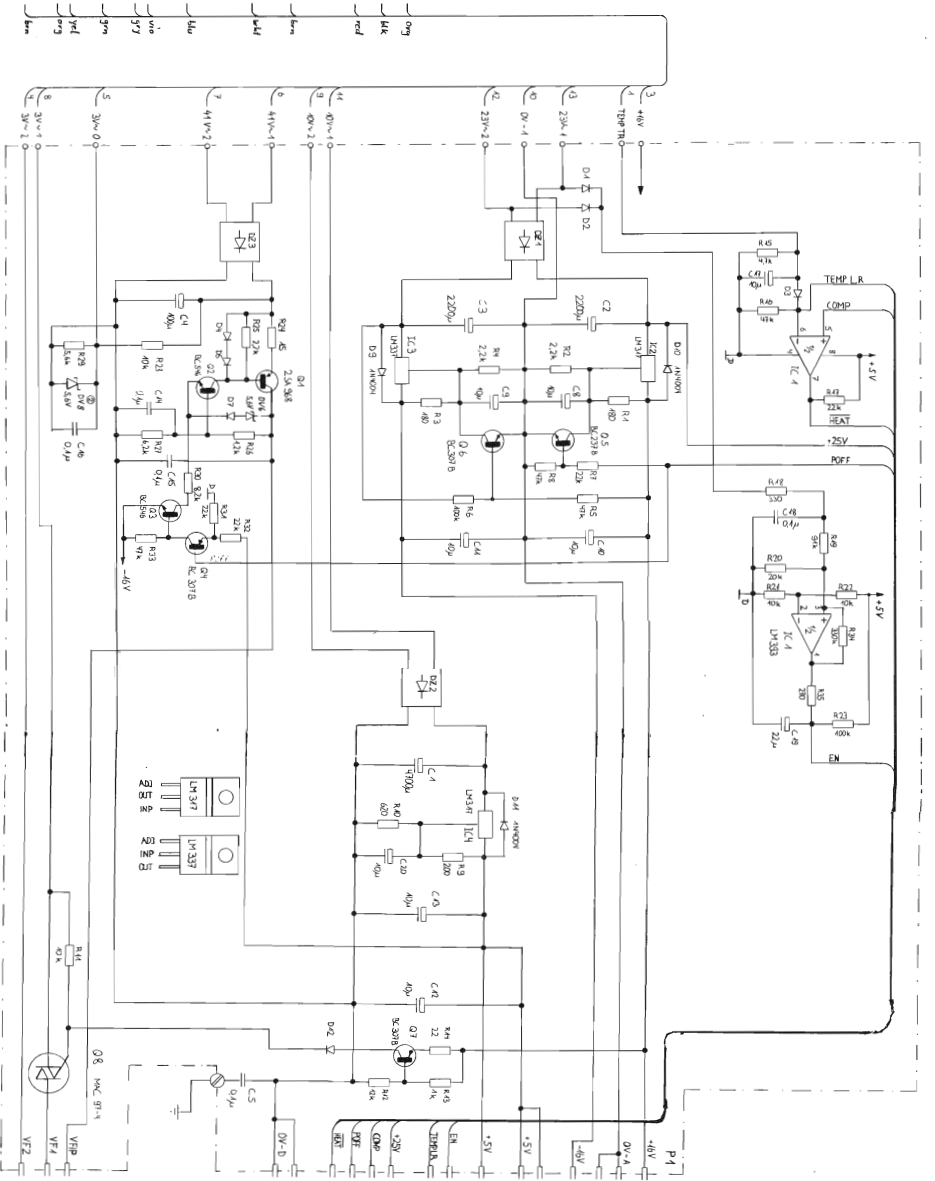
MICROCOMPUTER BOARD 1.725.290.00



MAINS TRANSFORMER
1.725.200.00



POWER SUPPLY UNIT 1.725.230.00



**LEFT
SIDE**

FRONT